



US00D758283S

(12) **United States Design Patent**
Sautter et al.

(10) **Patent No.:** **US D758,283 S**
(45) **Date of Patent:** **** Jun. 7, 2016**

(54) **CONTROL AND INDICATOR PANEL FOR A
COMMERCIAL VEHICLE**

(71) Applicant: **Continental Automotive GmbH,**
Hannover (DE)

(72) Inventors: **Silja Sautter,** Brigachthal (DE); **Maxim
Popov,** Hannover (DE)

(73) Assignee: **CONTINENTAL AUTOMOTIVE
GMBH,** Hannover (DE)

(**) Term: **14 Years**

(21) Appl. No.: **29/490,023**

(22) Filed: **May 6, 2014**

(30) **Foreign Application Priority Data**

Nov. 6, 2013 (EM) 002339598

(51) **LOC (10) Cl.** **12-16**

(52) **U.S. Cl.**
USPC **D12/415**

(58) **Field of Classification Search**
USPC D12/415, 416, 417, 418, 419, 420, 400,
D12/191, 106, 195, 345, 96, 99, 246
CPC B60R 7/08; B60R 7/04
See application file for complete search history.

(56) **References Cited**

U.S. PATENT DOCUMENTS

D587,188 S *	2/2009	Mo	D12/415
D615,478 S *	5/2010	Hynes	D12/415
D656,932 S *	4/2012	Wikel	D12/415
D689,427 S *	9/2013	Frey	D12/415
D716,215 S *	10/2014	Dunn	D12/415
D726,640 S *	4/2015	Frey	D12/415
D742,300 S *	11/2015	Fontaeus	D12/415

* cited by examiner

Primary Examiner — Katrina A Betton

(74) *Attorney, Agent, or Firm* — Slayden Grubert Beard
PLLC

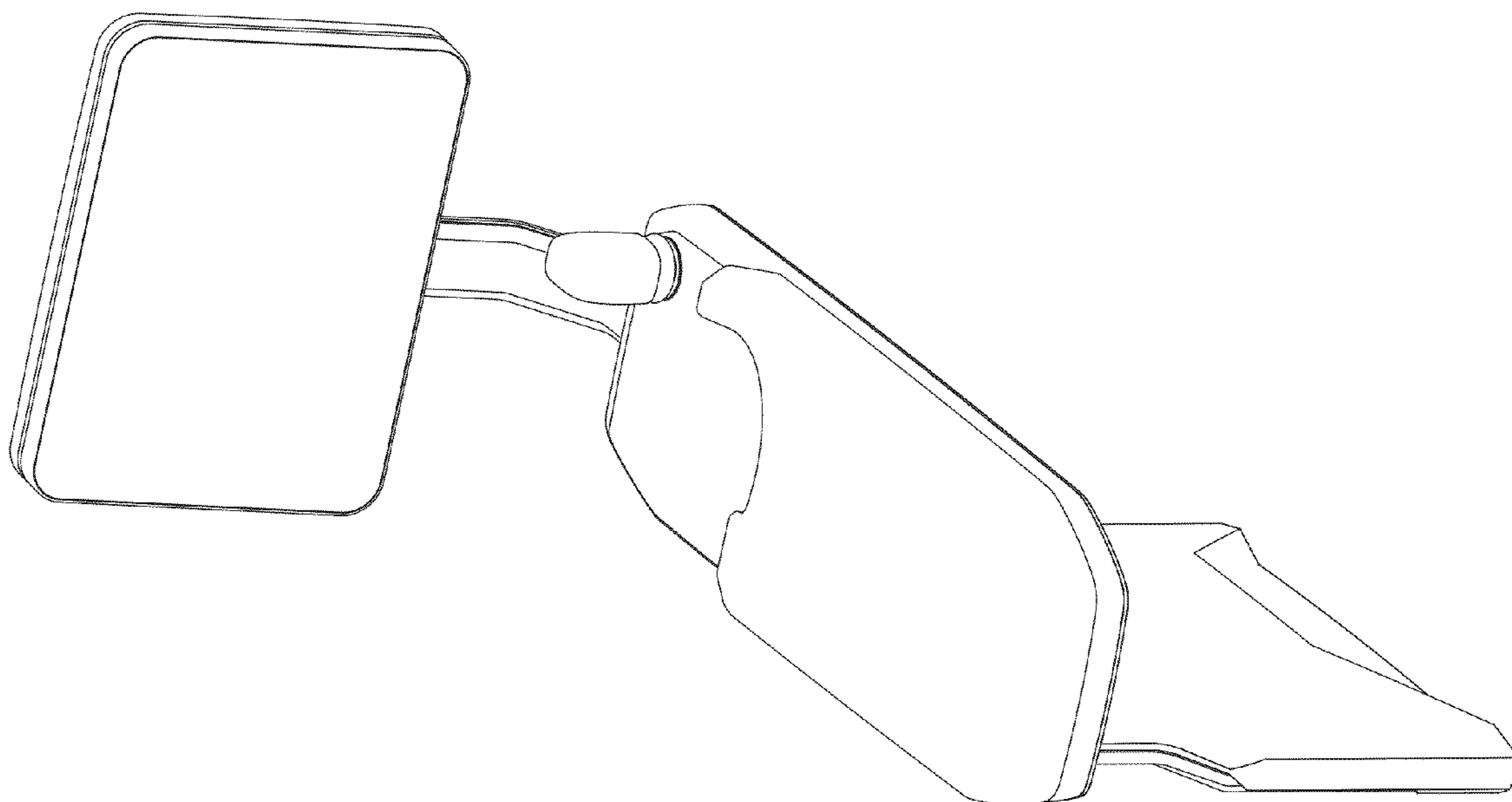
(57) **CLAIM**

The ornamental design for a control and indicator panel for a
commercial vehicle, as shown and described.

DESCRIPTION

FIG. 1 illustrates a front elevational view of a control and
indicator panel for a commercial vehicle;
FIG. 2 illustrates a rear elevational view of a control and
indicator panel for a commercial vehicle;
FIG. 3 illustrates a left side elevational view of a control and
indicator panel for a commercial vehicle;
FIG. 4 illustrates a right side elevational view of a control and
indicator panel for a commercial vehicle;
FIG. 5 illustrates a top elevational view of a control and
indicator panel for a commercial vehicle;
FIG. 6 illustrates a bottom elevational view of a control and
indicator panel for a commercial vehicle; and,
FIG. 7 illustrates a top right perspective view of a control and
indicator panel for a commercial vehicle.

1 Claim, 7 Drawing Sheets



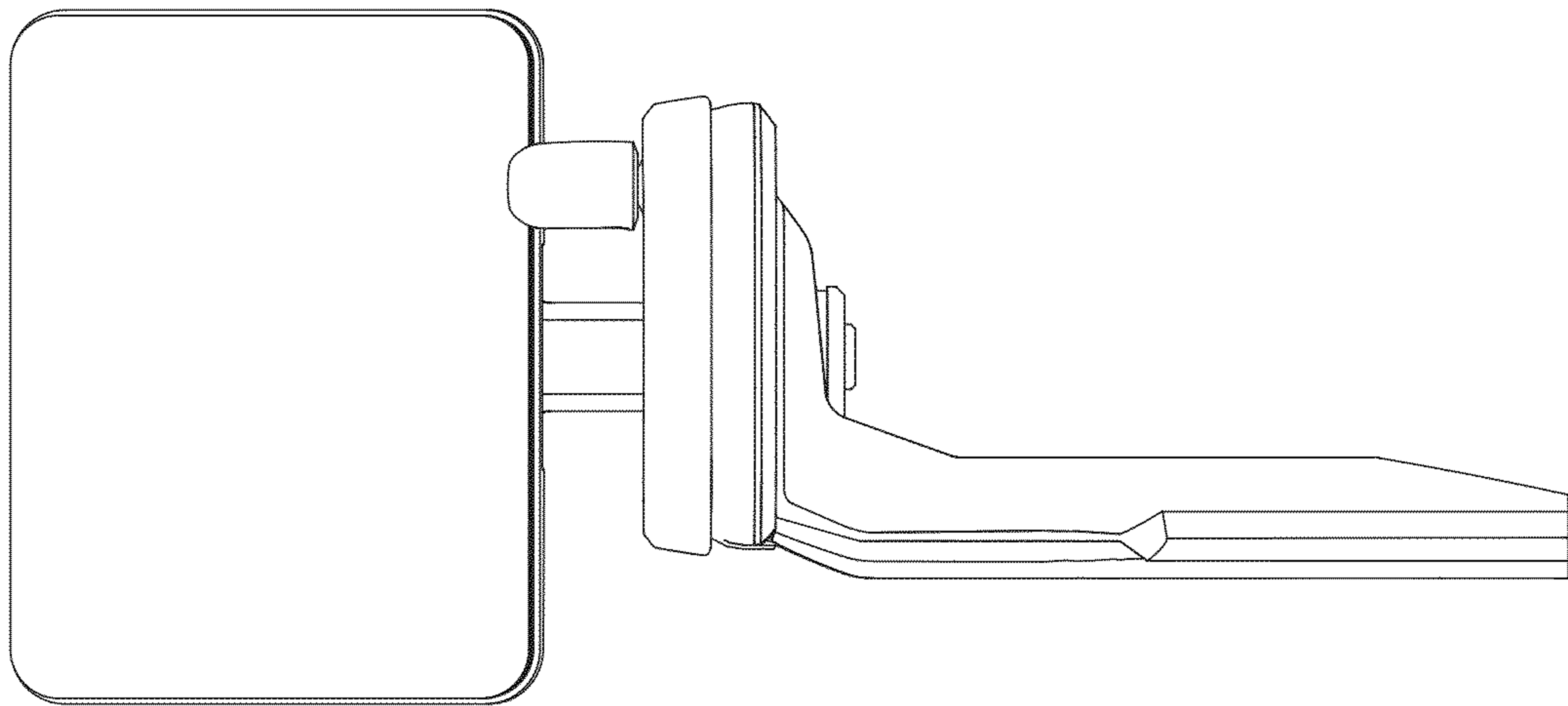


FIG. 1

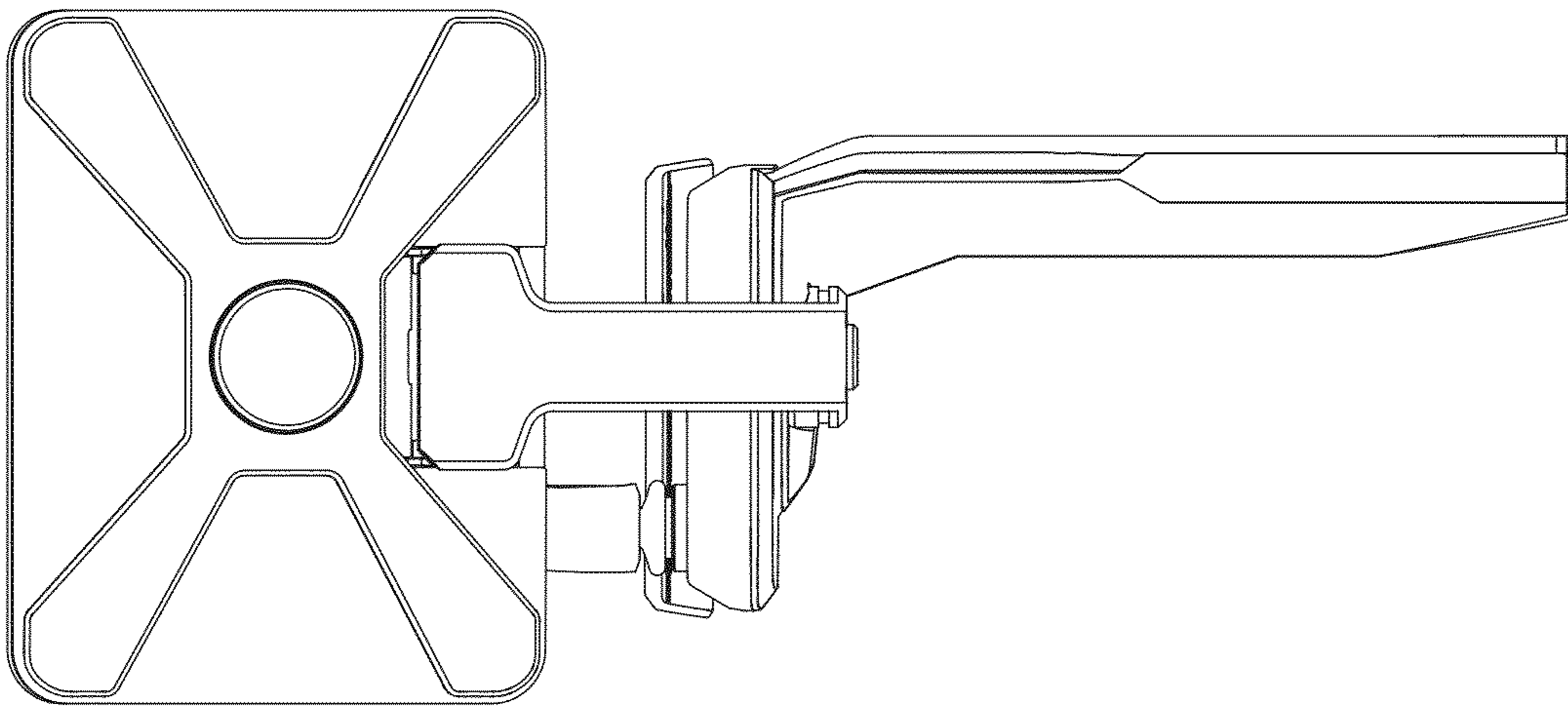


FIG. 2

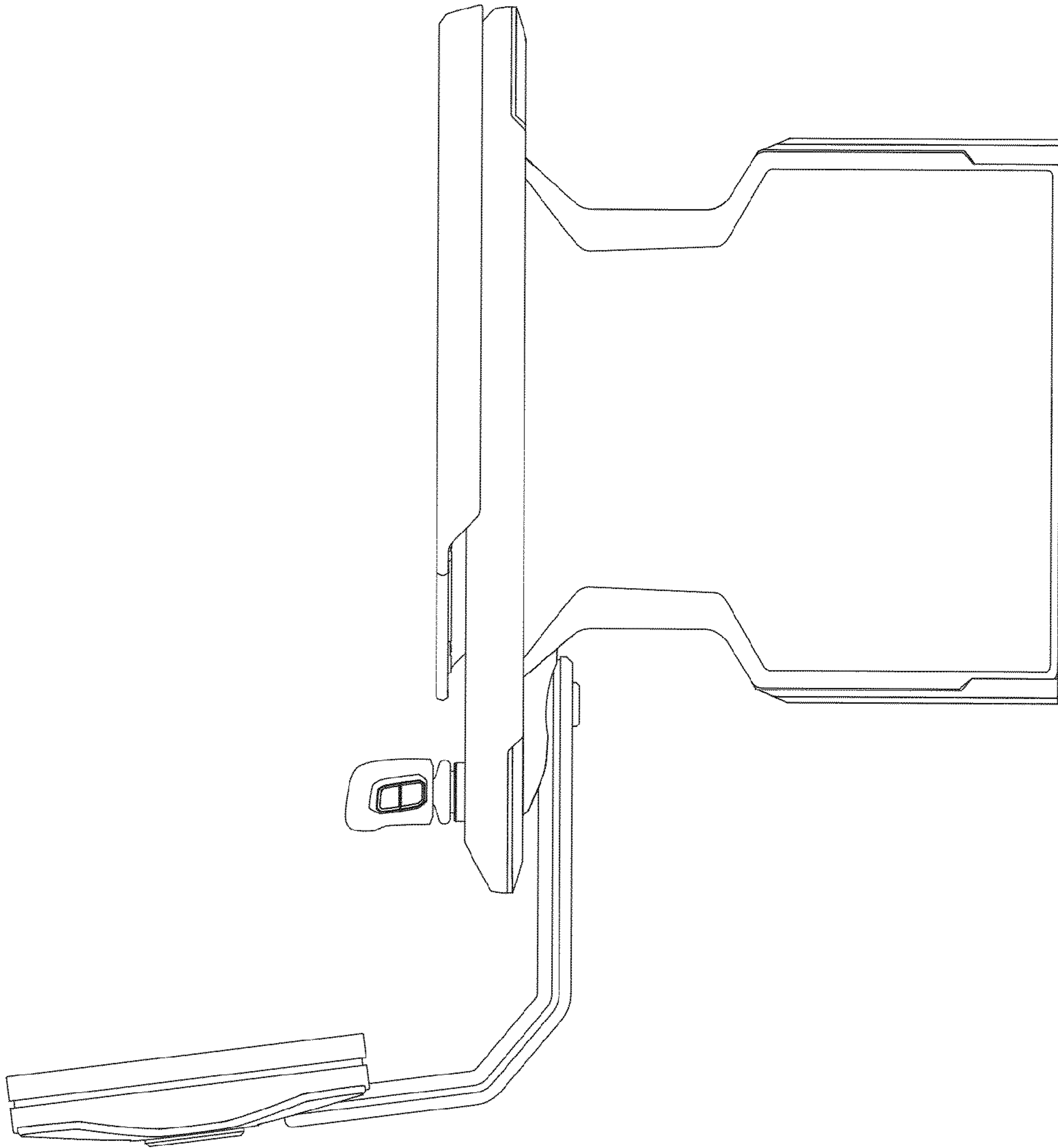


FIG. 3

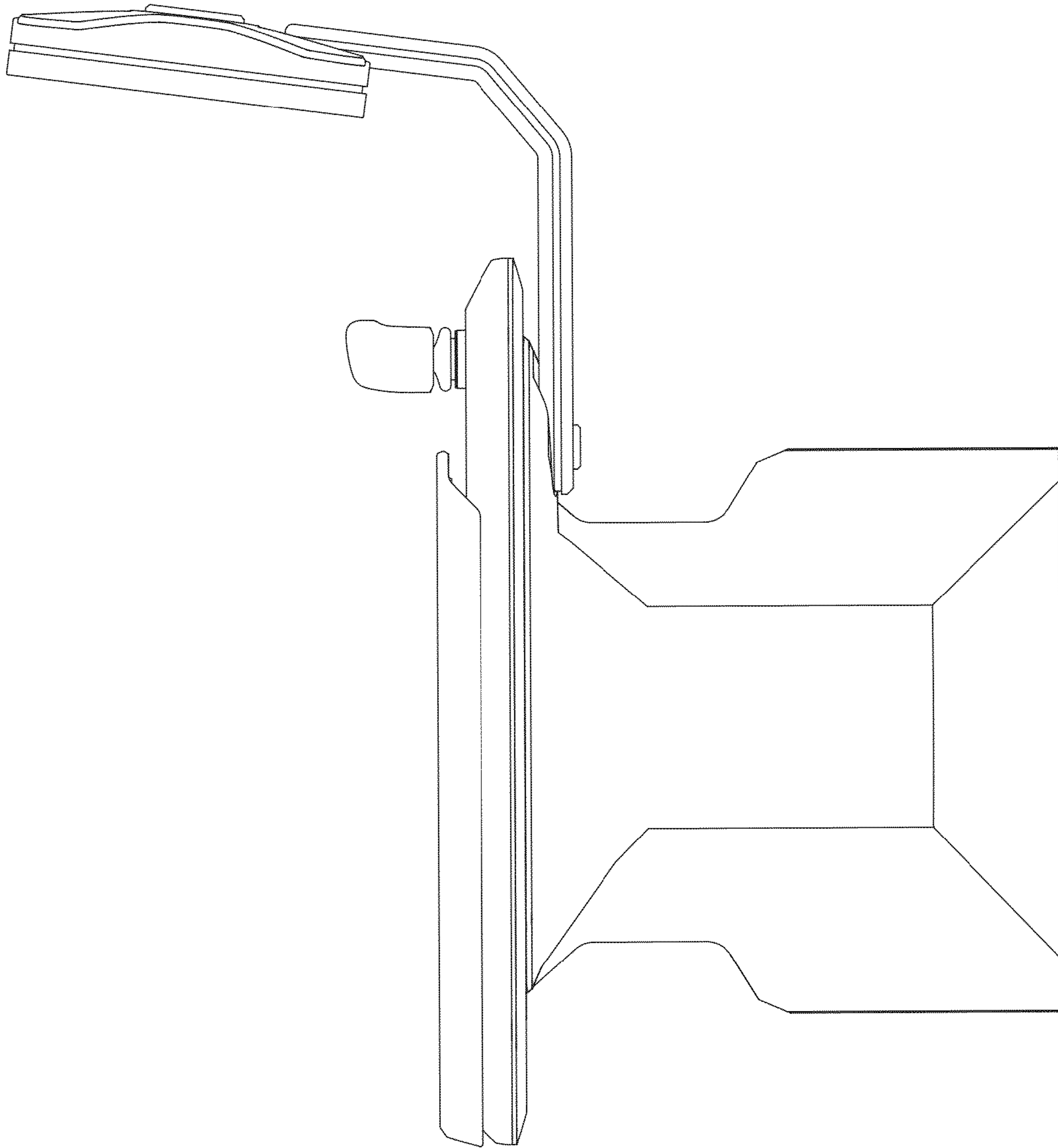


FIG. 4

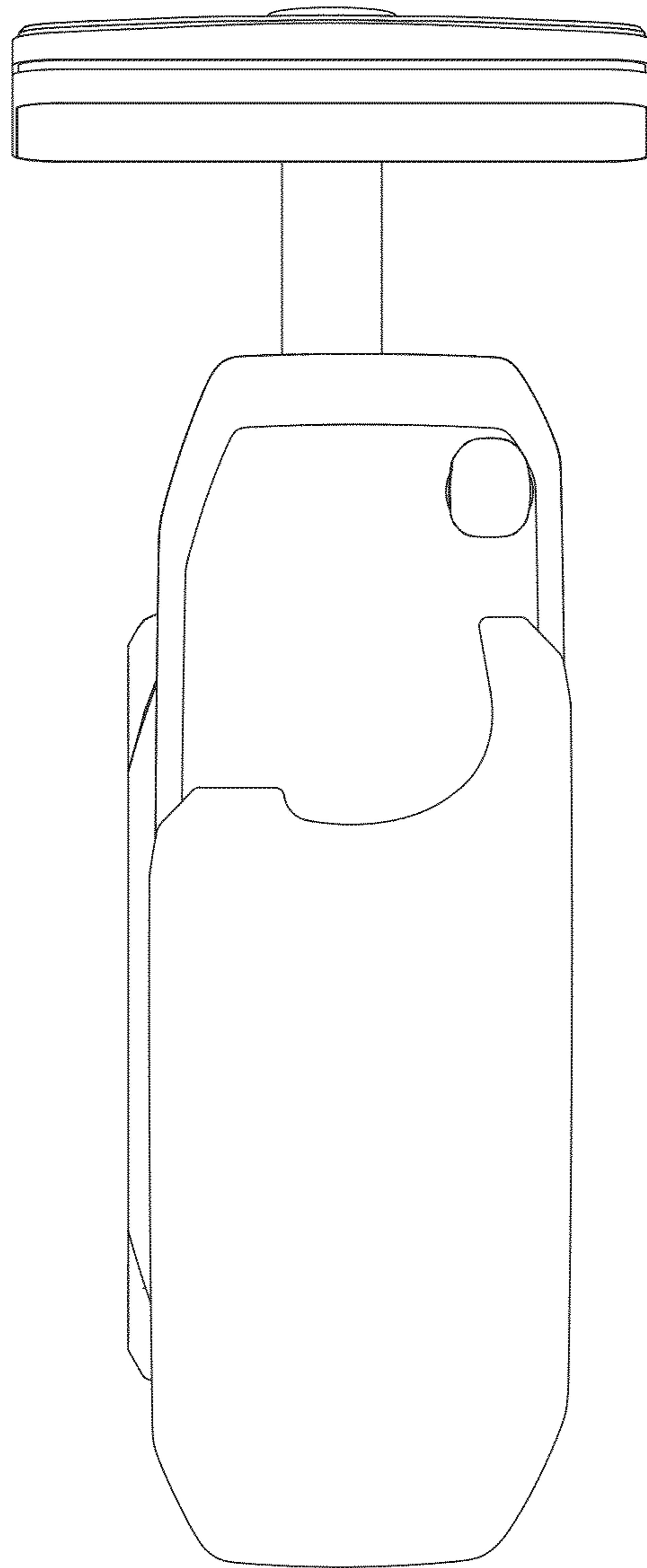


FIG. 5

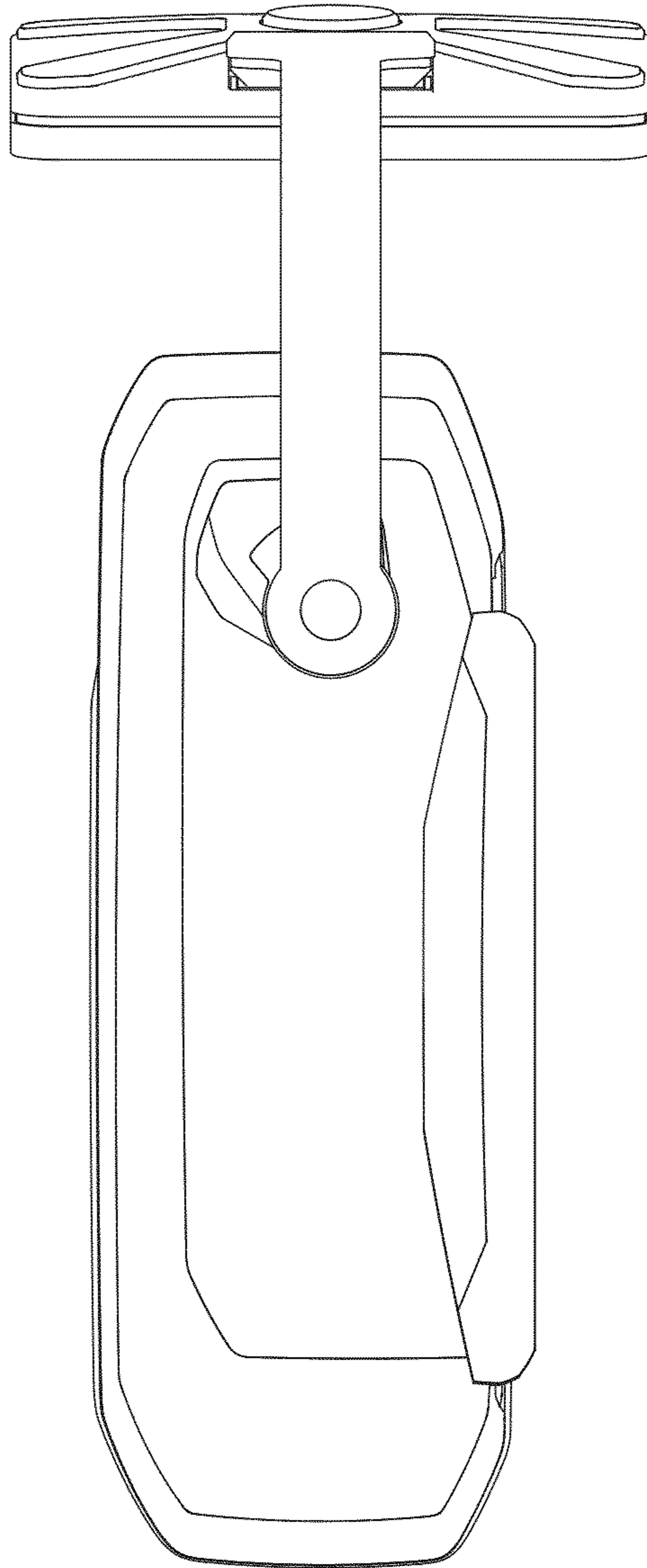


FIG. 6

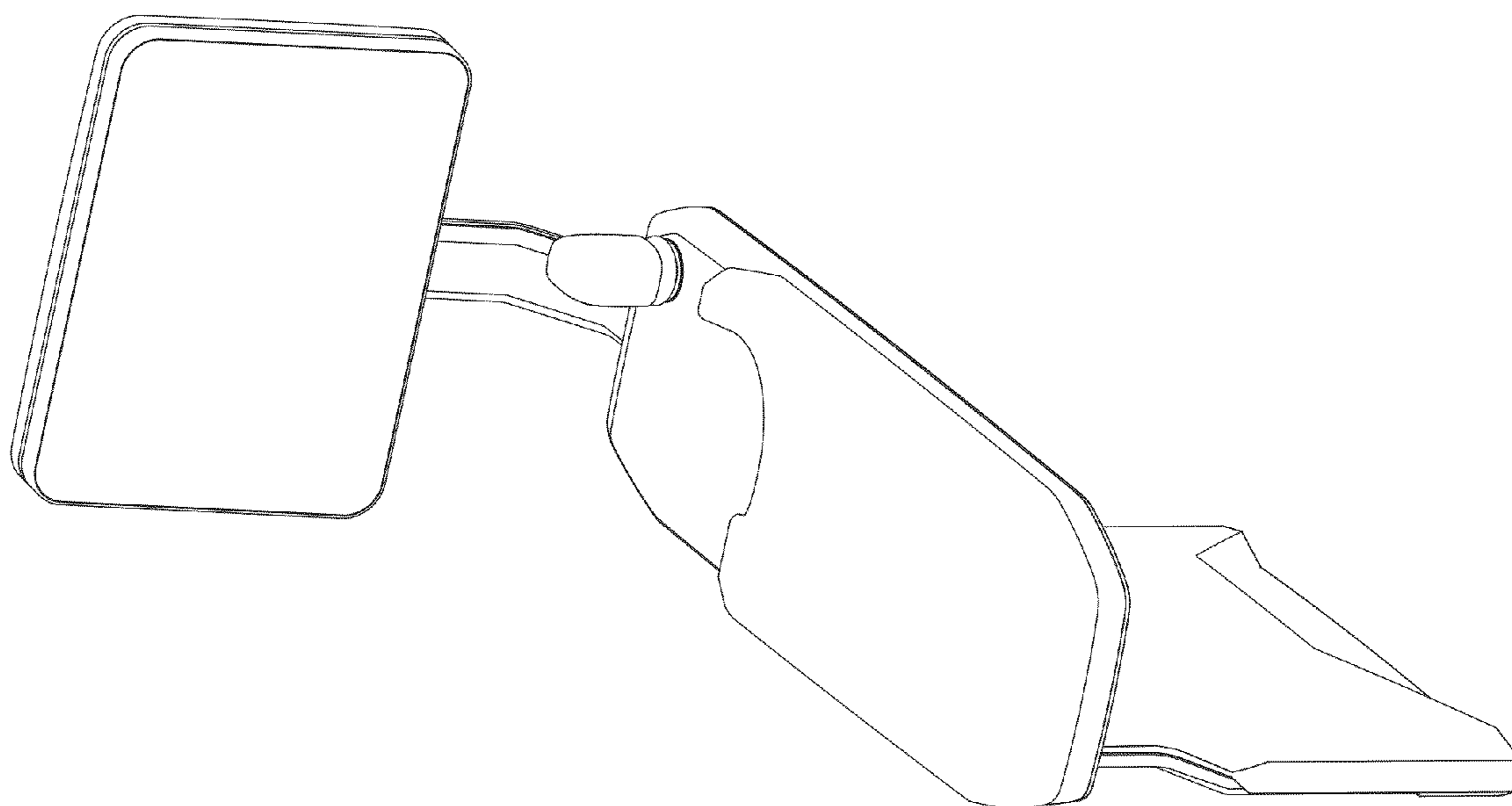


FIG .7