



US00D758282S

(12) **United States Design Patent**
Miller

(10) **Patent No.:** **US D758,282 S**
(45) **Date of Patent:** **** Jun. 7, 2016**

(54) **PET STAND FOR VEHICLES**

(71) Applicant: **Angelo Miller**, Richmond, CA (US)

(72) Inventor: **Angelo Miller**, Richmond, CA (US)

(**) Term: **14 Years**

(21) Appl. No.: **29/506,636**

(22) Filed: **Oct. 17, 2014**

(51) **LOC (10) Cl.** **12-16**

(52) **U.S. Cl.**
USPC **D12/400**

(58) **Field of Classification Search**

USPC D12/400, 401

CPC B60R 3/00

See application file for complete search history.

(56) **References Cited**

U.S. PATENT DOCUMENTS

X7929	II	*	12/1833	King	280/166
3,902,752	A	*	9/1975	Pelletier	B60R 5/04
						280/727
D319,610	S	*	9/1991	Janke	D12/401
5,129,678	A	*	7/1992	Gurbacki	B60J 11/06
						150/166
D354,937	S	*	1/1995	Nentwich	D12/400
5,945,194	A	*	8/1999	Pester	B60J 11/06
						150/166
7,448,662	B1	*	11/2008	Fisher	B60R 5/04
						296/39.1
D722,549	S	*	2/2015	Renforth	D12/400
2009/0256377	A1	*	10/2009	Beechie	B60R 21/026
						296/24.46

* cited by examiner

Primary Examiner — Katrina A Betton

(74) *Attorney, Agent, or Firm* — Charles L. Thoeming

(57) **CLAIM**

The ornamental design for a pet stand for vehicles, as shown and described.

DESCRIPTION

FIG. 1 is a front, right perspective view of a pet stand for vehicles showing my new design.

FIG. 2 is an orthogonal front view of the pet stand for vehicles of FIG. 1.

FIG. 3 is an orthogonal rear view of the pet stand for vehicles of FIG. 1.

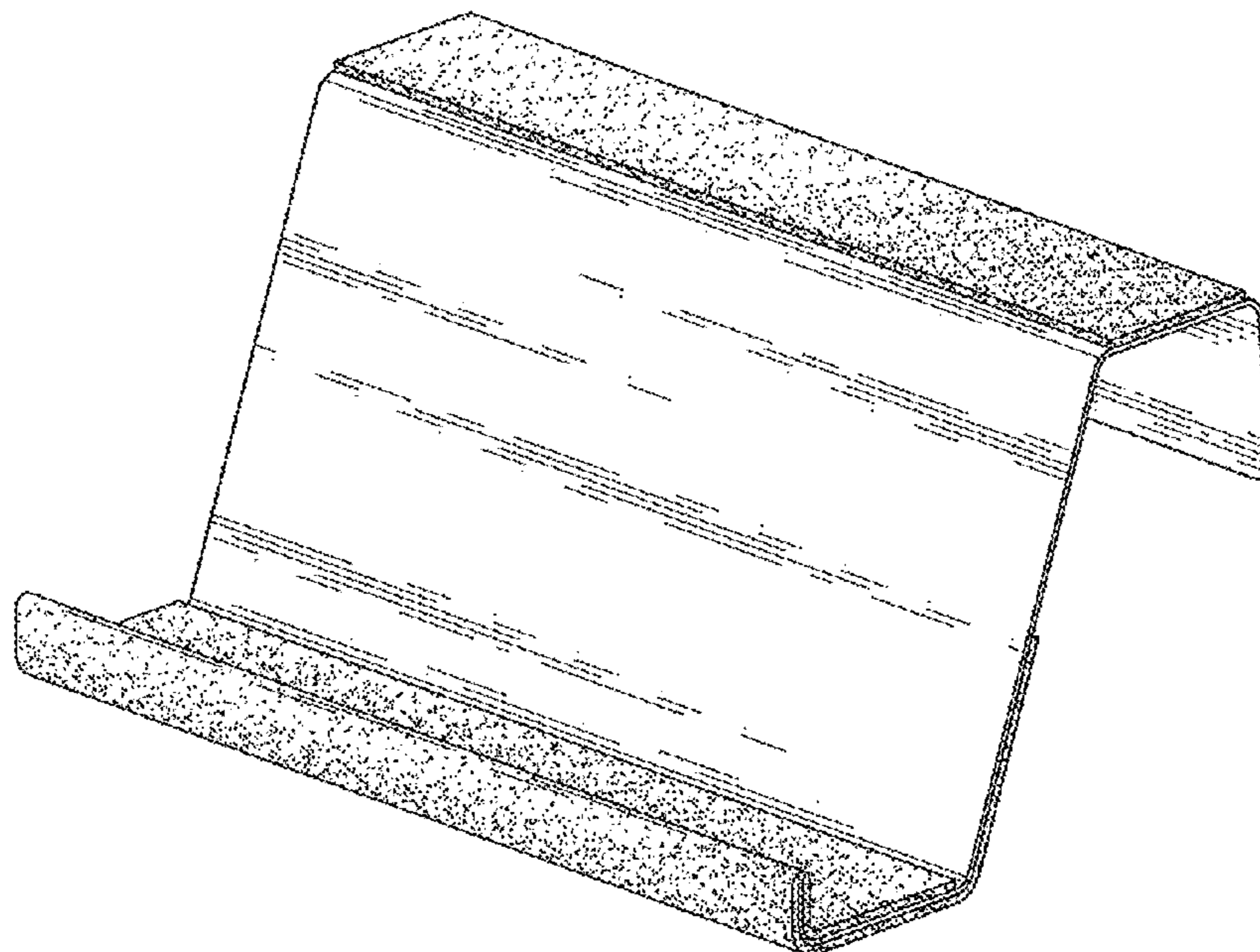
FIG. 4 is an orthogonal left side view of the pet stand for vehicles of FIG. 1; the orthogonal right side view of the pet stand for vehicles of FIG. 1 is the mirror image of FIG. 4.

FIG. 5 is an orthogonal top view of the pet stand for vehicles of FIG. 1.

FIG. 6 is an orthogonal bottom view of the pet stand for vehicles of FIG. 1; and,

FIG. 7 is a front, top perspective view of a pet stand for vehicles in an environment showing my new design. The broken lines showing a portion of a vehicle's interior and a leashed pet are for illustrative purposes only and form no part of the claimed design.

1 Claim, 3 Drawing Sheets



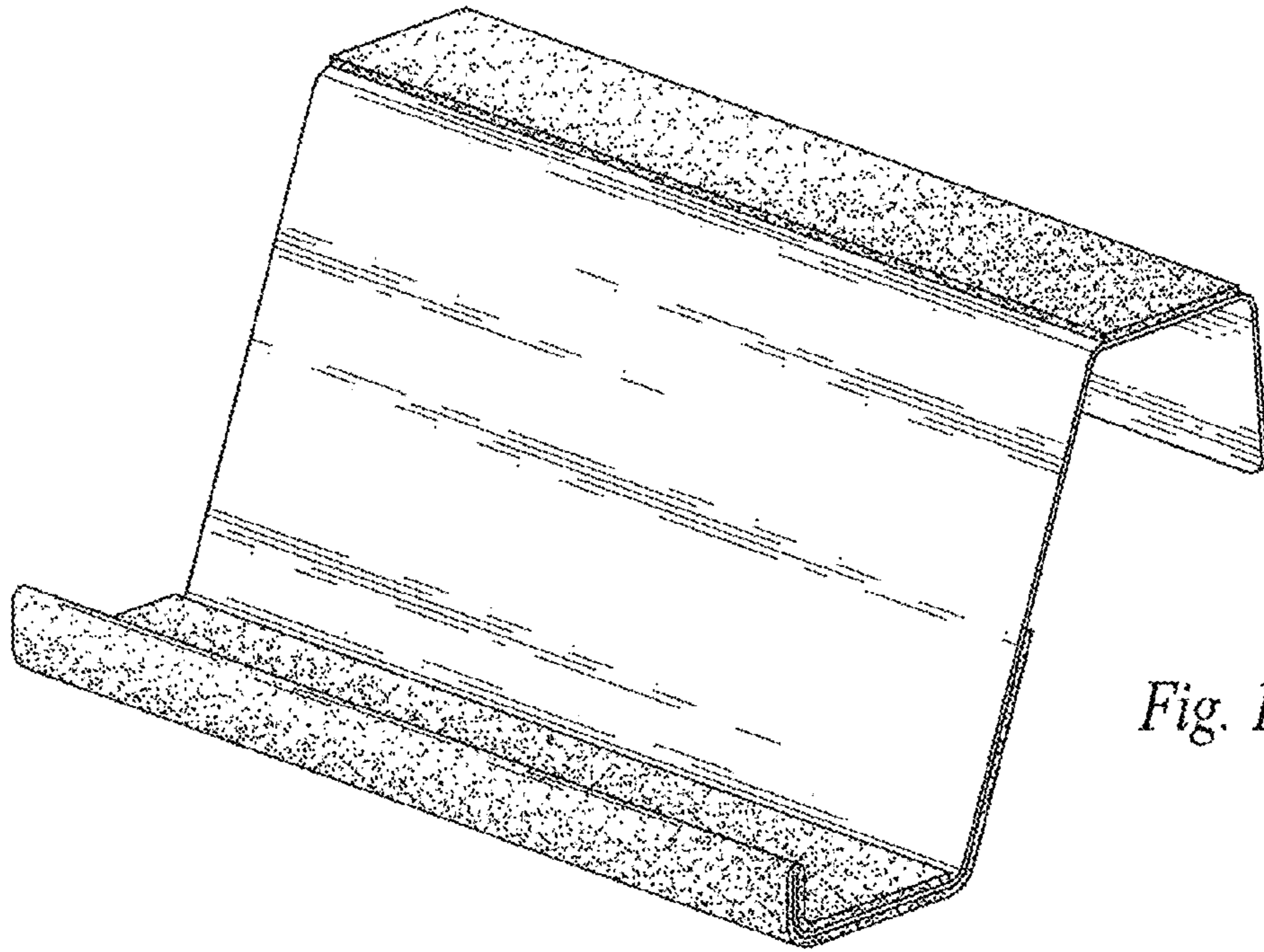


Fig. 1

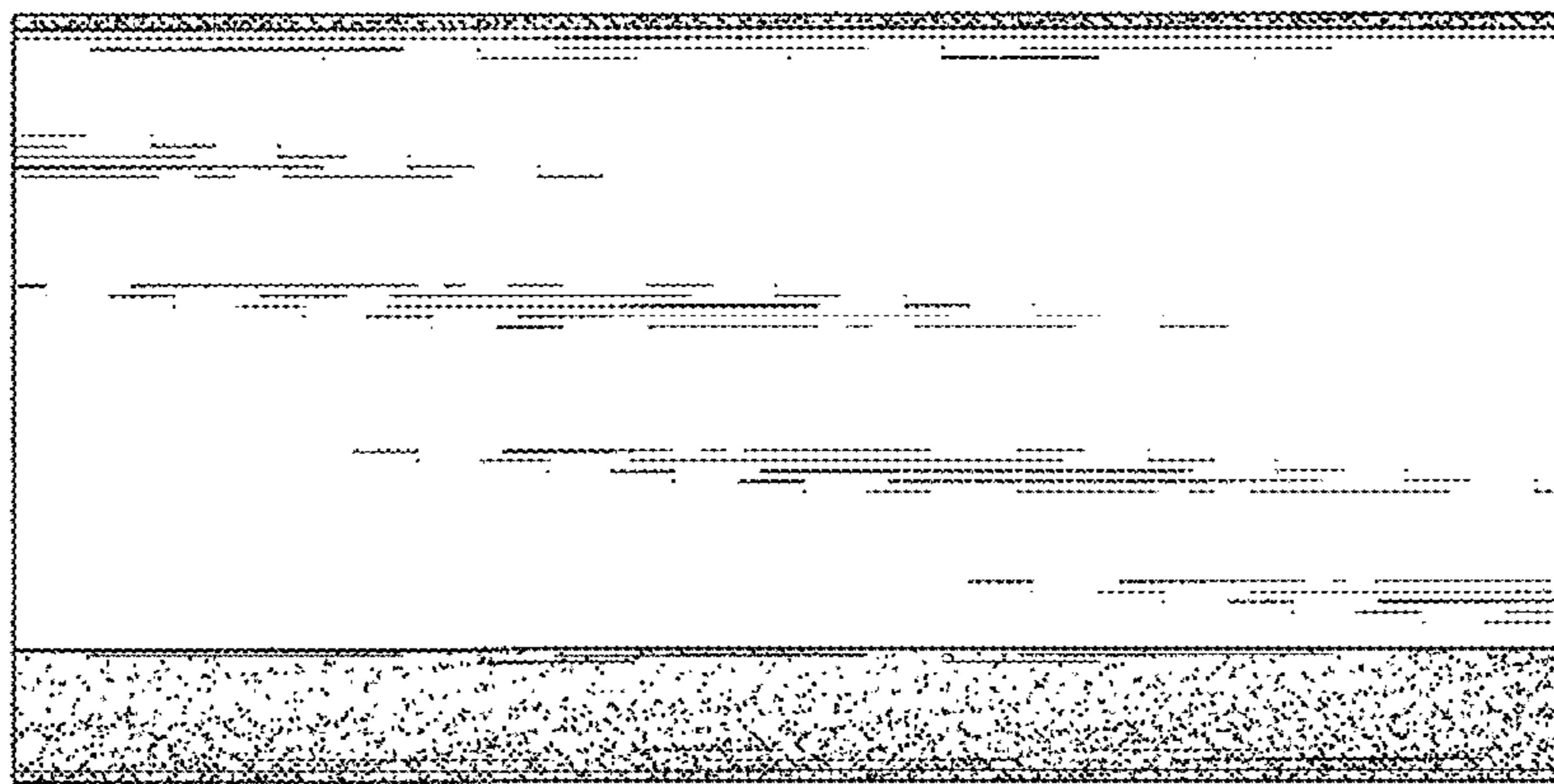


Fig. 2

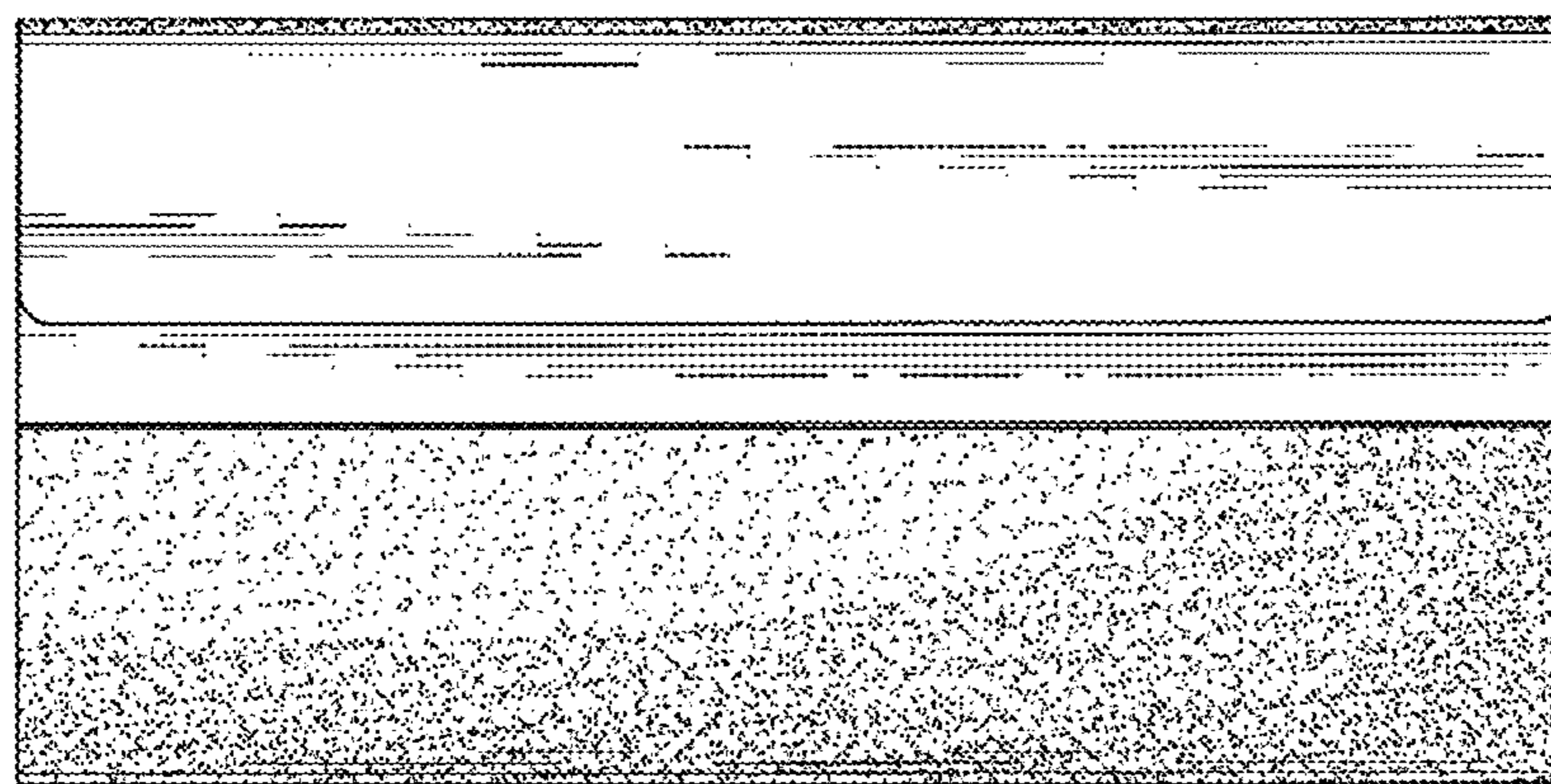


Fig. 3

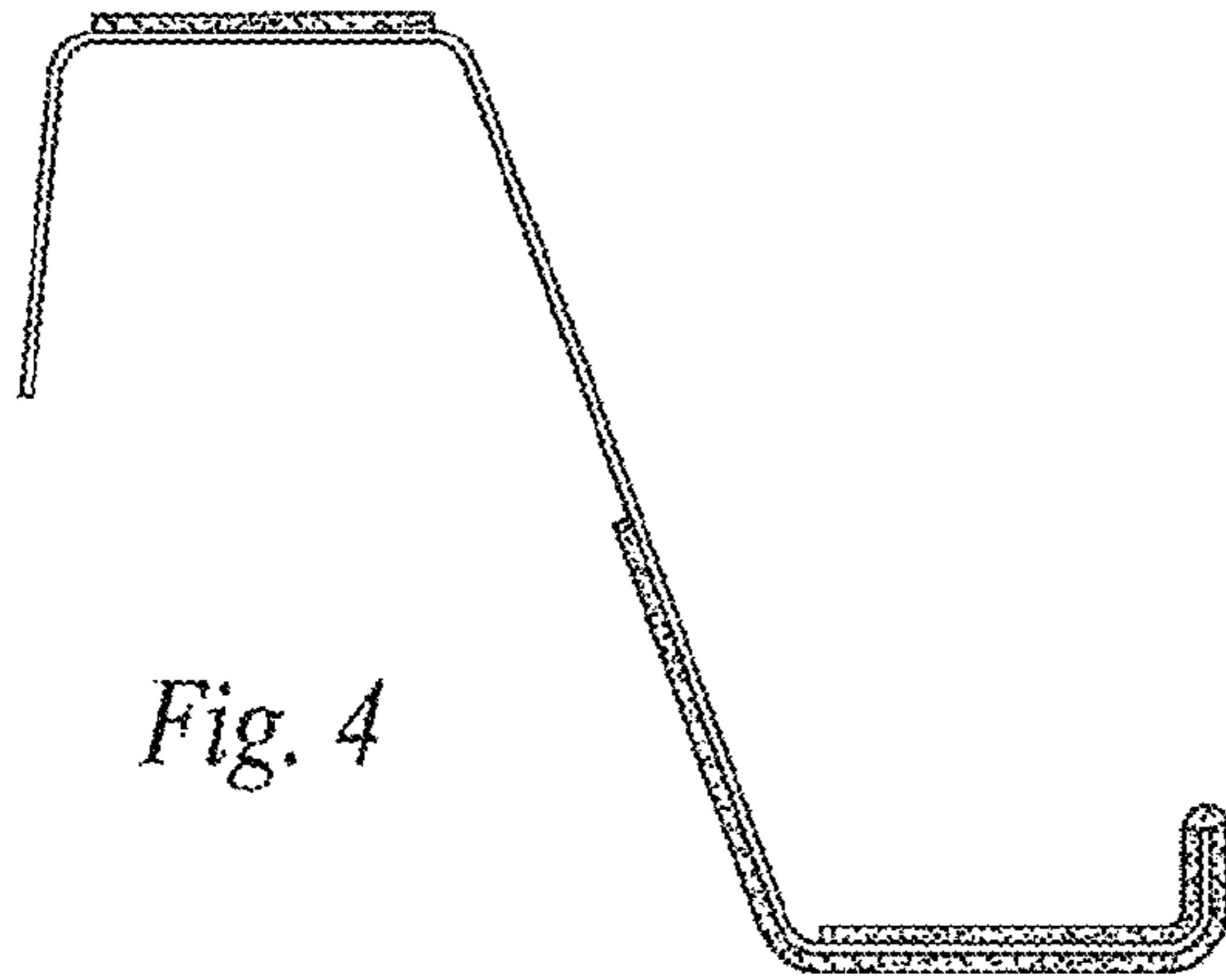


Fig. 4

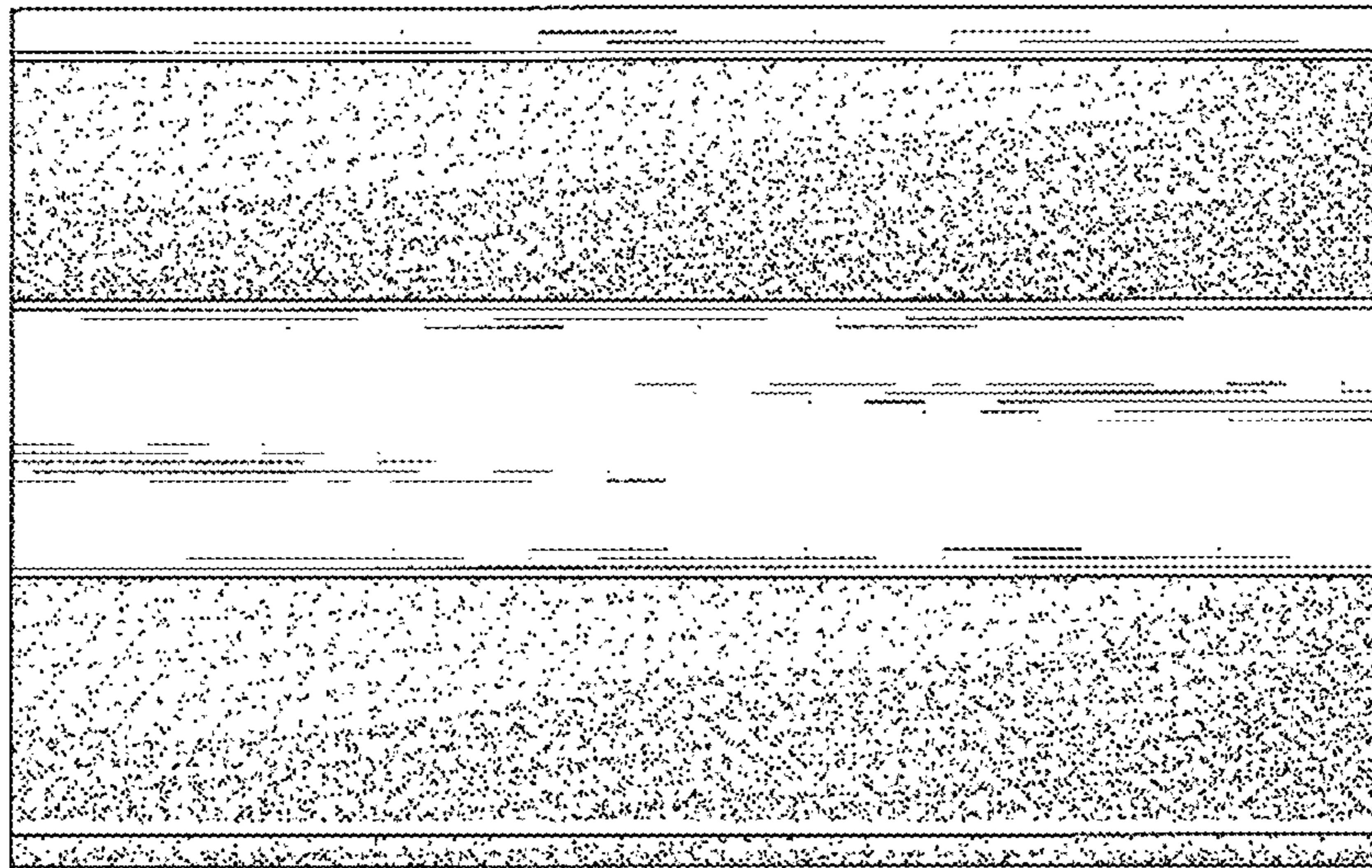


Fig. 5

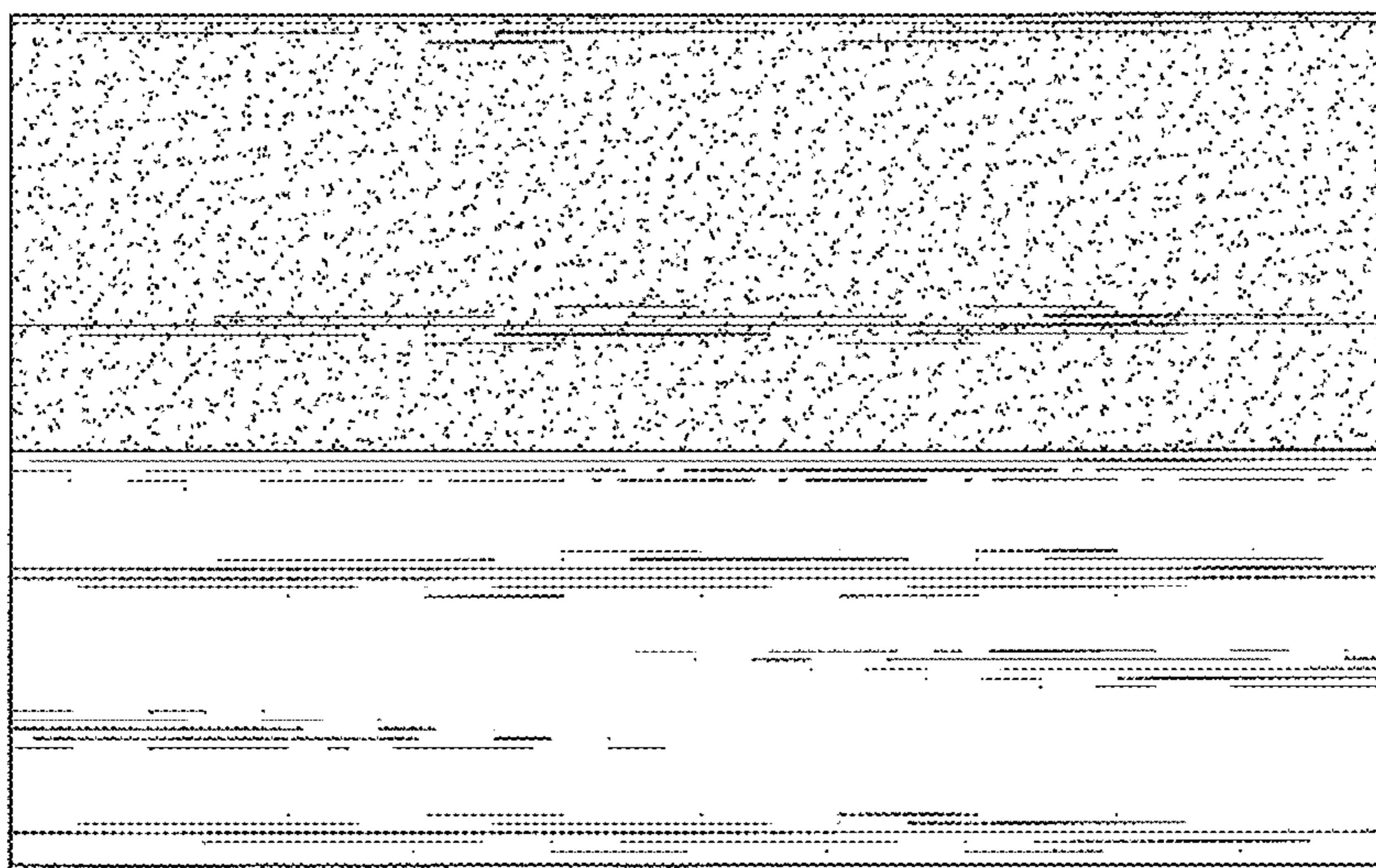


Fig. 6

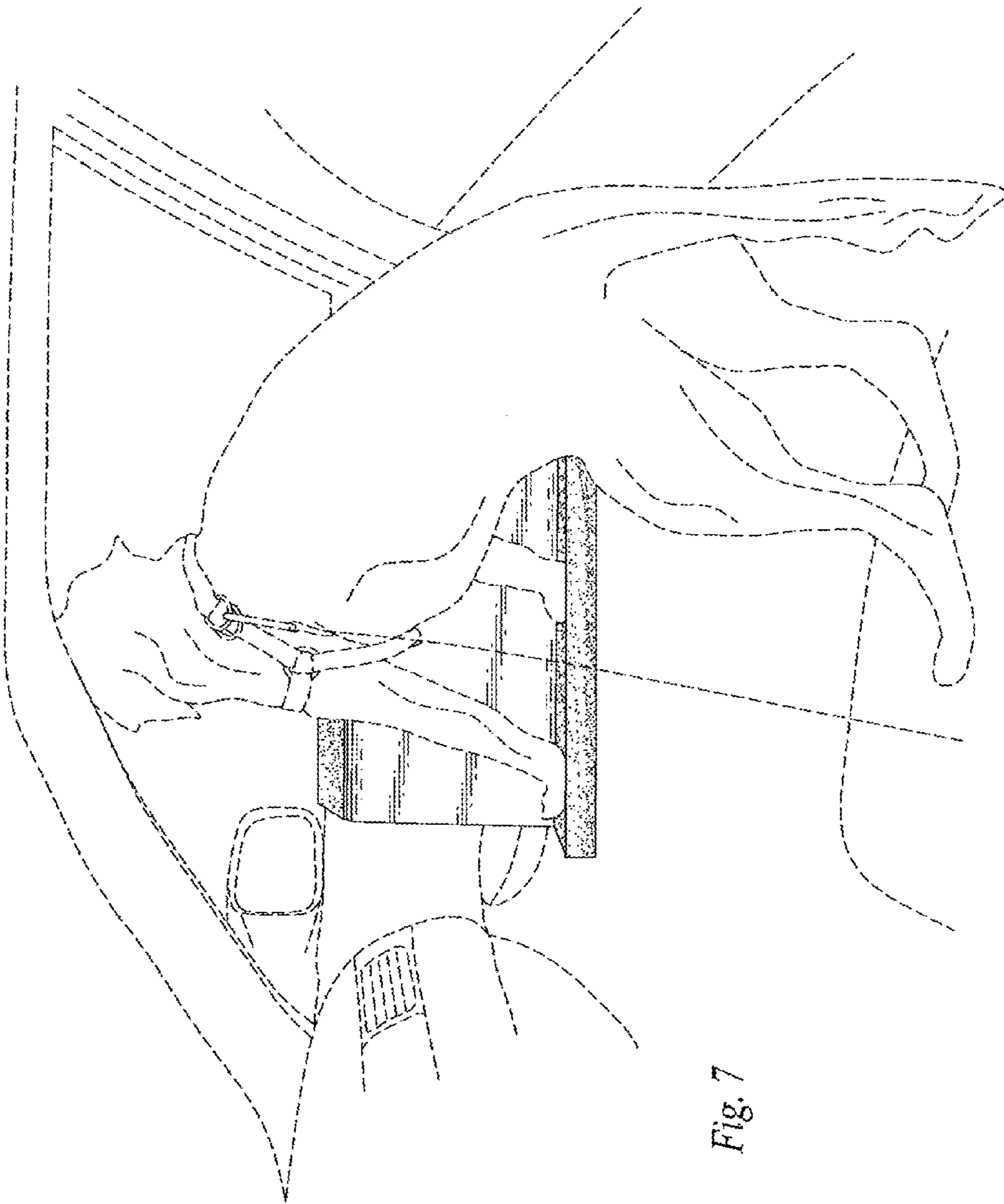


Fig. 7