



US00D758281S

(12) **United States Design Patent**
Galloway

(10) **Patent No.:** **US D758,281 S**
(45) **Date of Patent:** **** Jun. 7, 2016**

- (54) **ATV ROLL CAGE**
- (71) Applicant: **Tom L. Galloway**, Sallisaw, OK (US)
- (72) Inventor: **Tom L. Galloway**, Sallisaw, OK (US)
- (**) Term: **14 Years**
- (21) Appl. No.: **29/474,246**
- (22) Filed: **Jul. 21, 2014**
- (51) **LOC (10) Cl.** **12-06**
- (52) **U.S. Cl.**
USPC **D12/222**
- (58) **Field of Classification Search**
USPC D12/222, 400, 401, 404, 406, 412, 414,
D12/223, 86, 93, 101; D6/552
CPC B60R 27/00; B60J 1/06
See application file for complete search history.

- D513,223 S 12/2005 Saito
- D621,328 S 8/2010 Sistare
- D654,844 S * 2/2012 Pinto D12/222
- D655,236 S 3/2012 Sanschagrin
- D655,668 S 3/2012 Levorato
- 2008/0238065 A1* 10/2008 Hart B60R 21/13
280/756

* cited by examiner

Primary Examiner — Katrina A Betton
(74) *Attorney, Agent, or Firm* — Randal Homburg

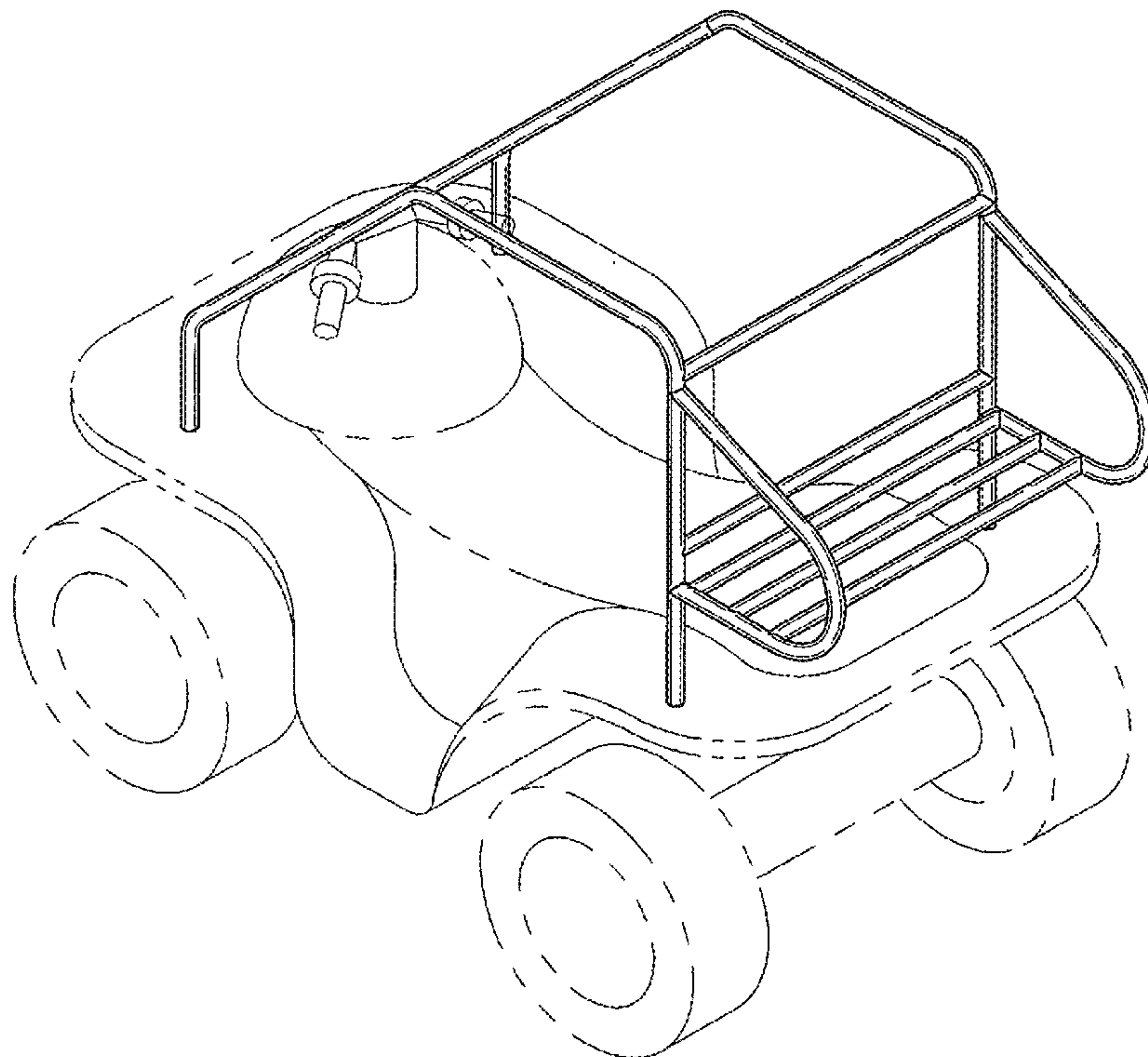
(57) **CLAIM**
The ornamental design for an ATV roll cage, as shown and described.

DESCRIPTION

FIG. 1 is a top view of the ATV roll cage.
FIG. 2 is a bottom view of the ATV roll cage.
FIG. 3 is a front view of the ATV roll cage.
FIG. 4 is a rear view of the ATV roll cage.
FIG. 5 is a right side view of the ATV roll cage.
FIG. 6 is a left side view of the ATV roll cage.
FIG. 7 is an upper front perspective view of the ATV roll cage with phantom lines indicating the ATV upon which the ATV roll cage is attached; and,
FIG. 8 is an upper rear perspective view of the ATV roll cage with phantom lines indicating the ATV upon which the ATV roll cage is attached.

- (56) **References Cited**
U.S. PATENT DOCUMENTS
- D245,496 S * 8/1977 Wheeler D12/222
- D257,673 S * 12/1980 Milton D12/222
- D262,790 S 1/1982 Bernier
- 4,950,017 A 8/1990 Norton
- 4,973,082 A 11/1990 Kincheloe
- 5,174,622 A 12/1992 Gutta
- D399,476 S * 10/1998 Duncan D12/14
- 6,543,830 B1 4/2003 Stuck
- D478,025 S 8/2003 Cartwright
- D490,356 S 5/2004 Ratajczek
- 6,908,108 B1 * 6/2005 Scarla A63H 17/22
280/756

1 Claim, 5 Drawing Sheets



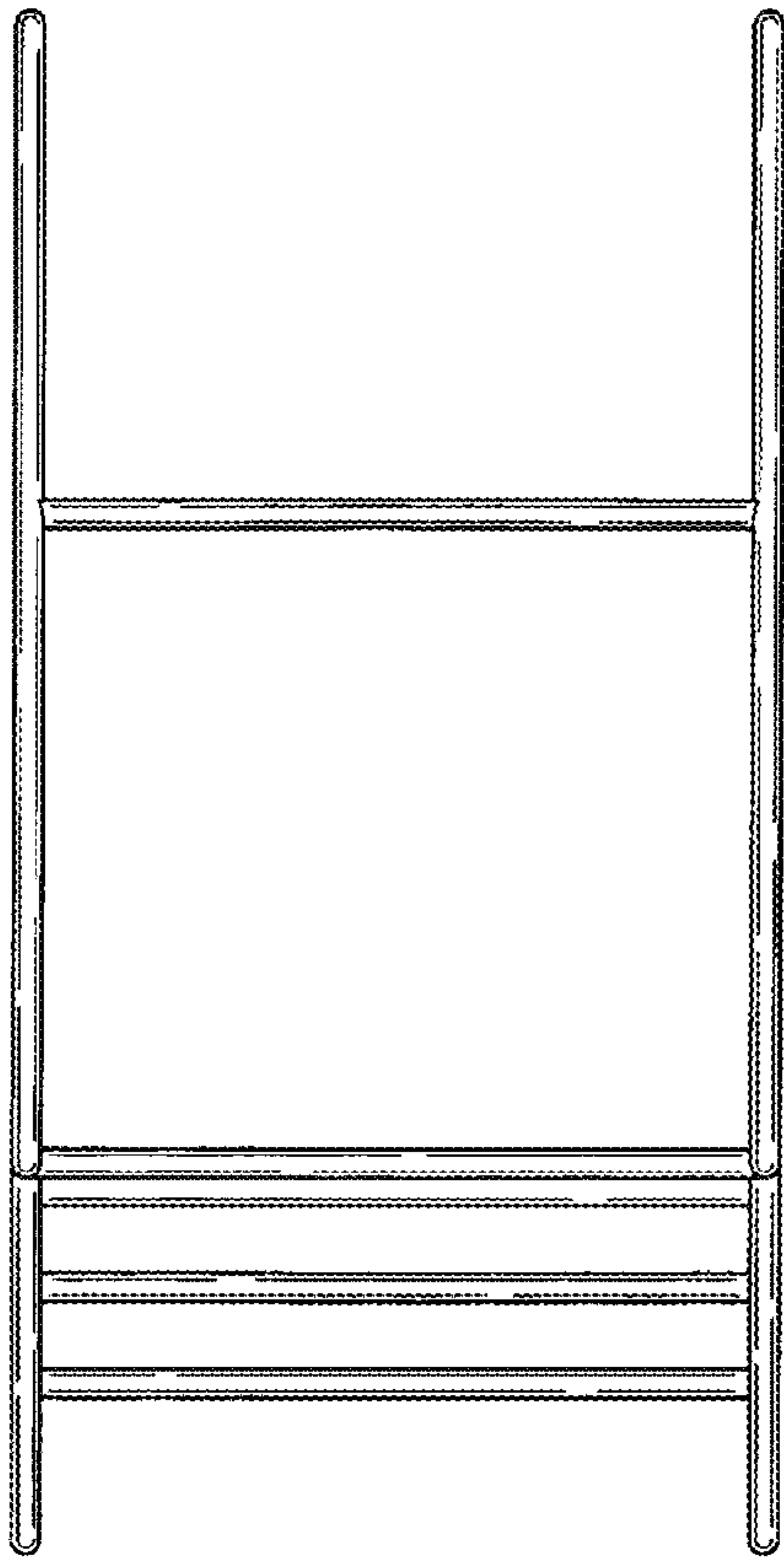


FIG. 1

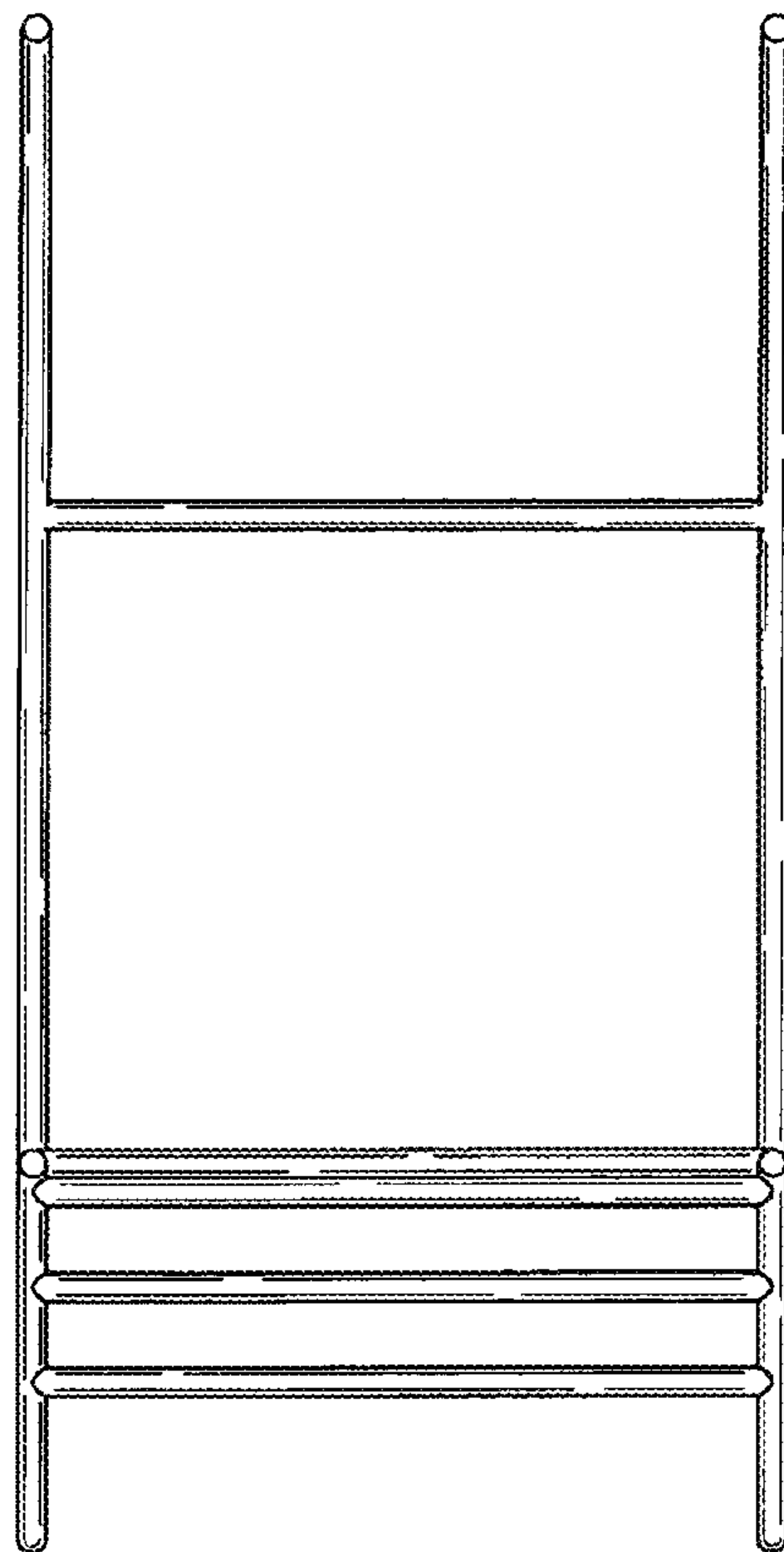
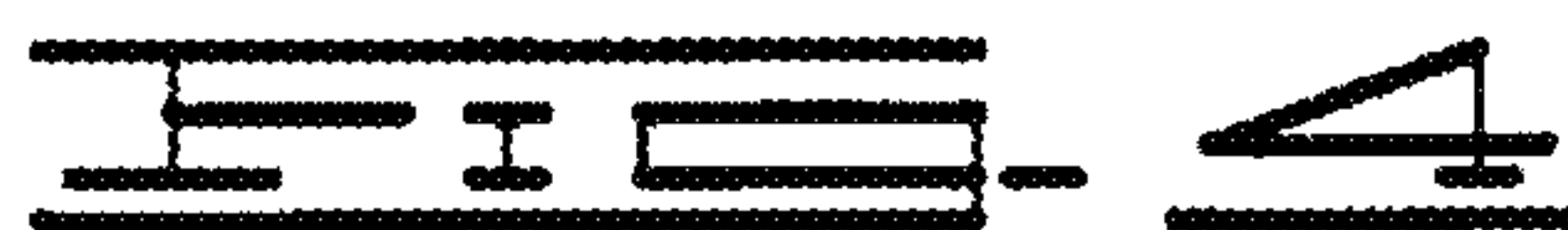
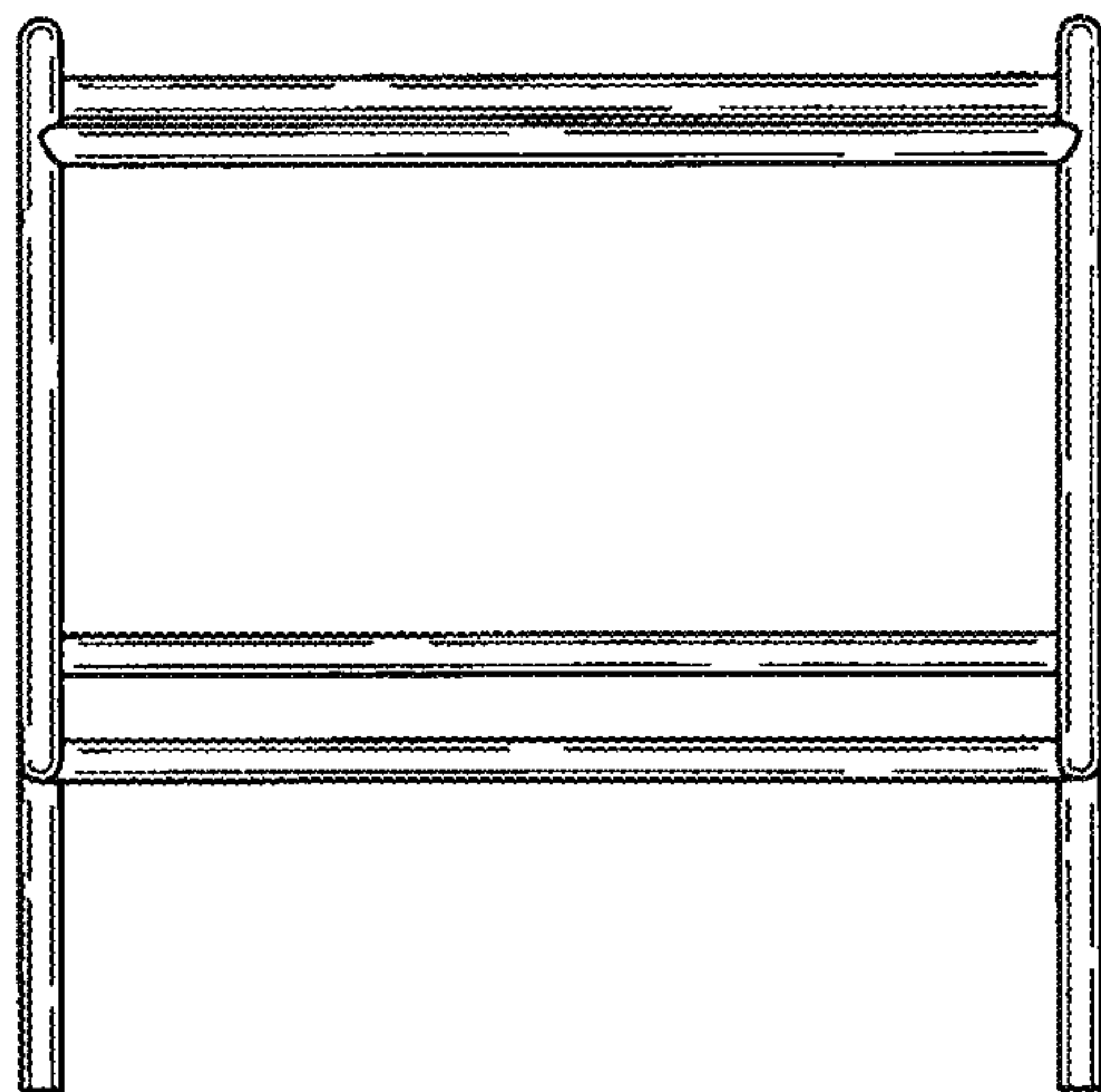
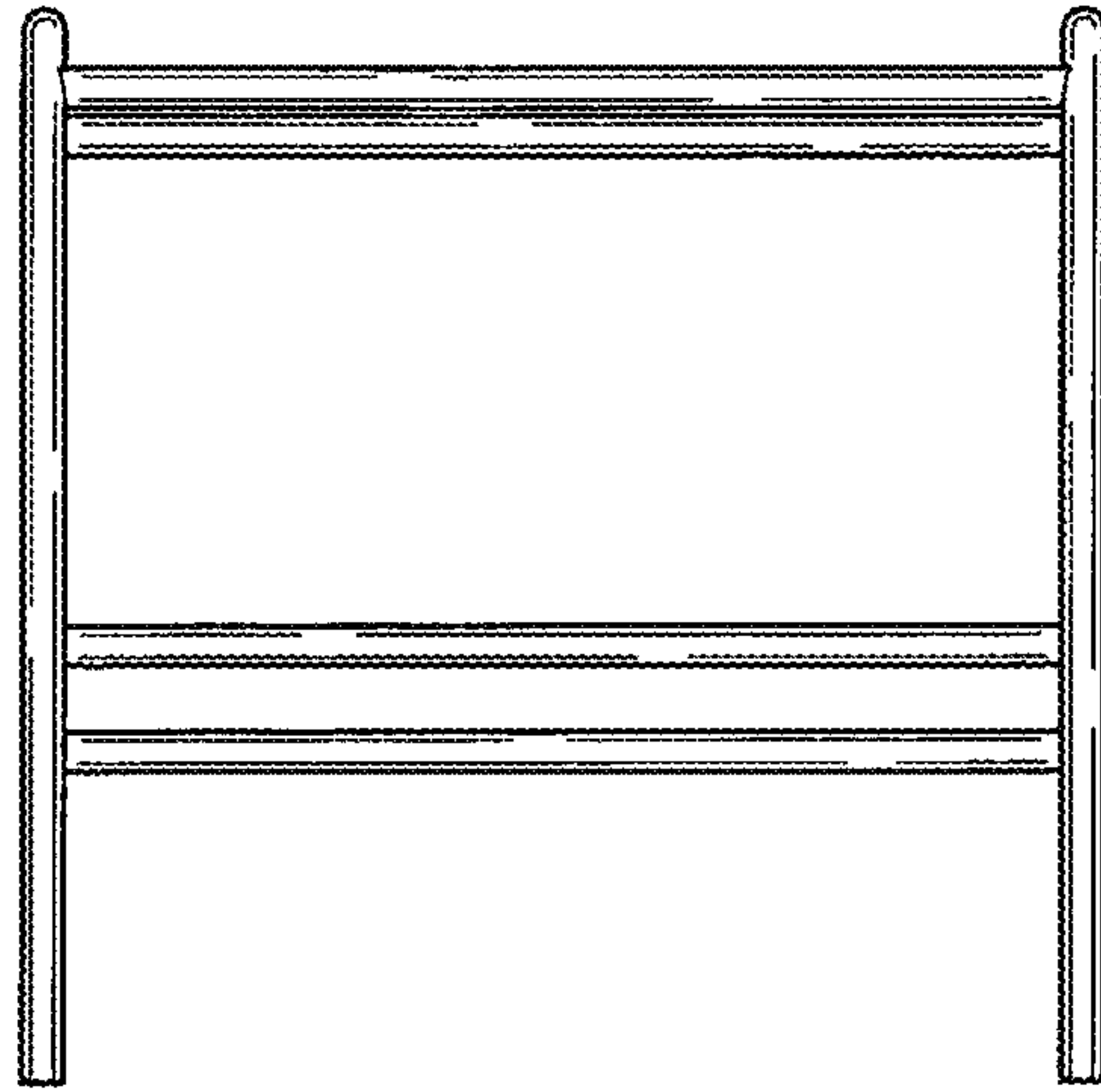
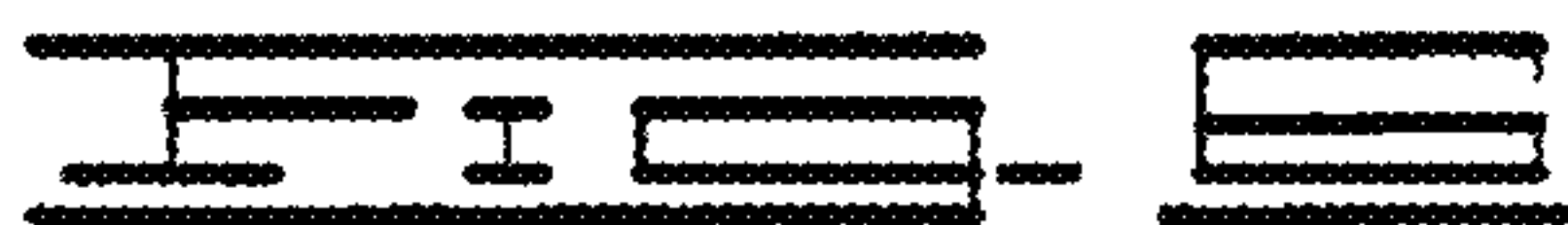
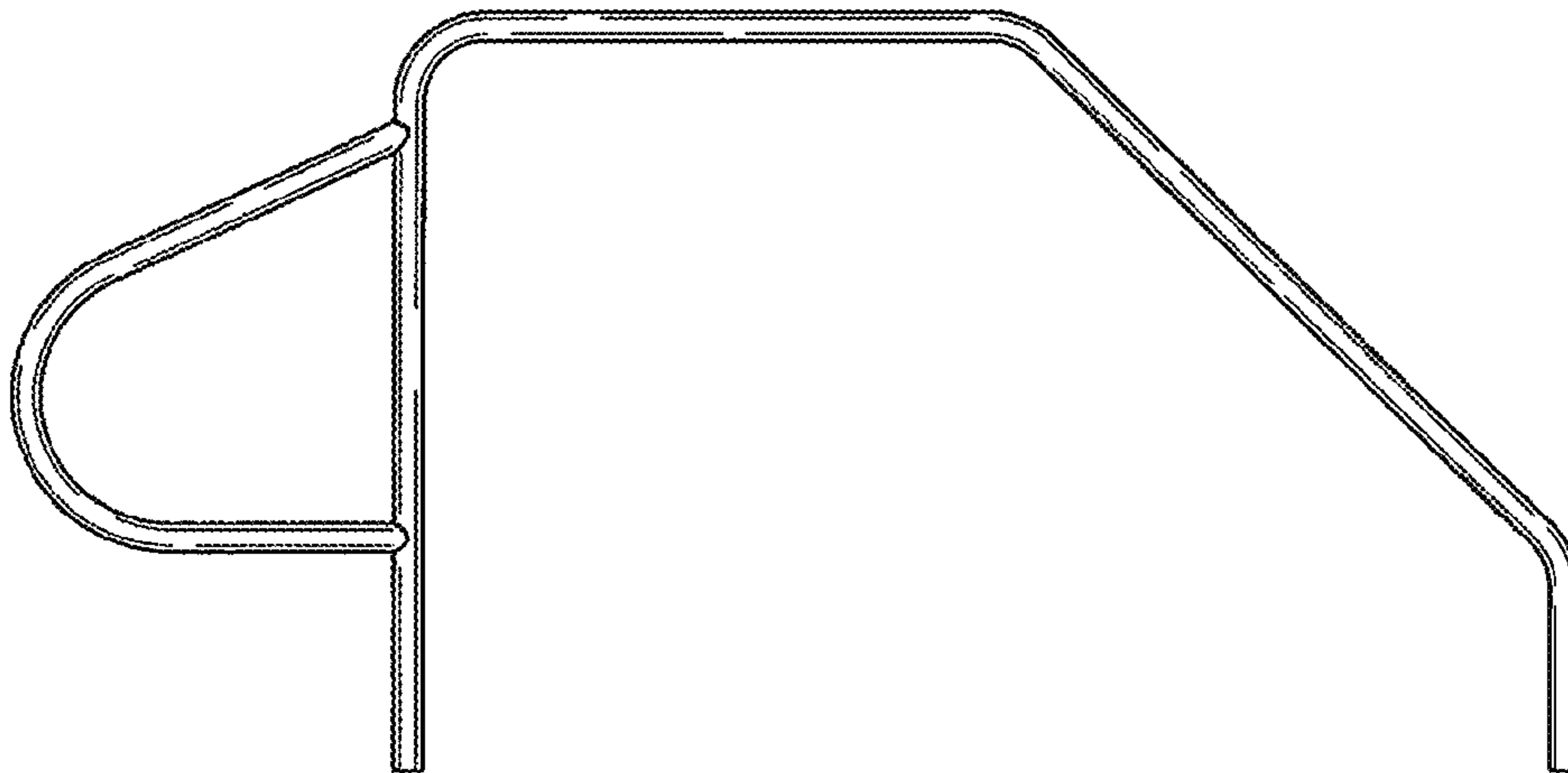
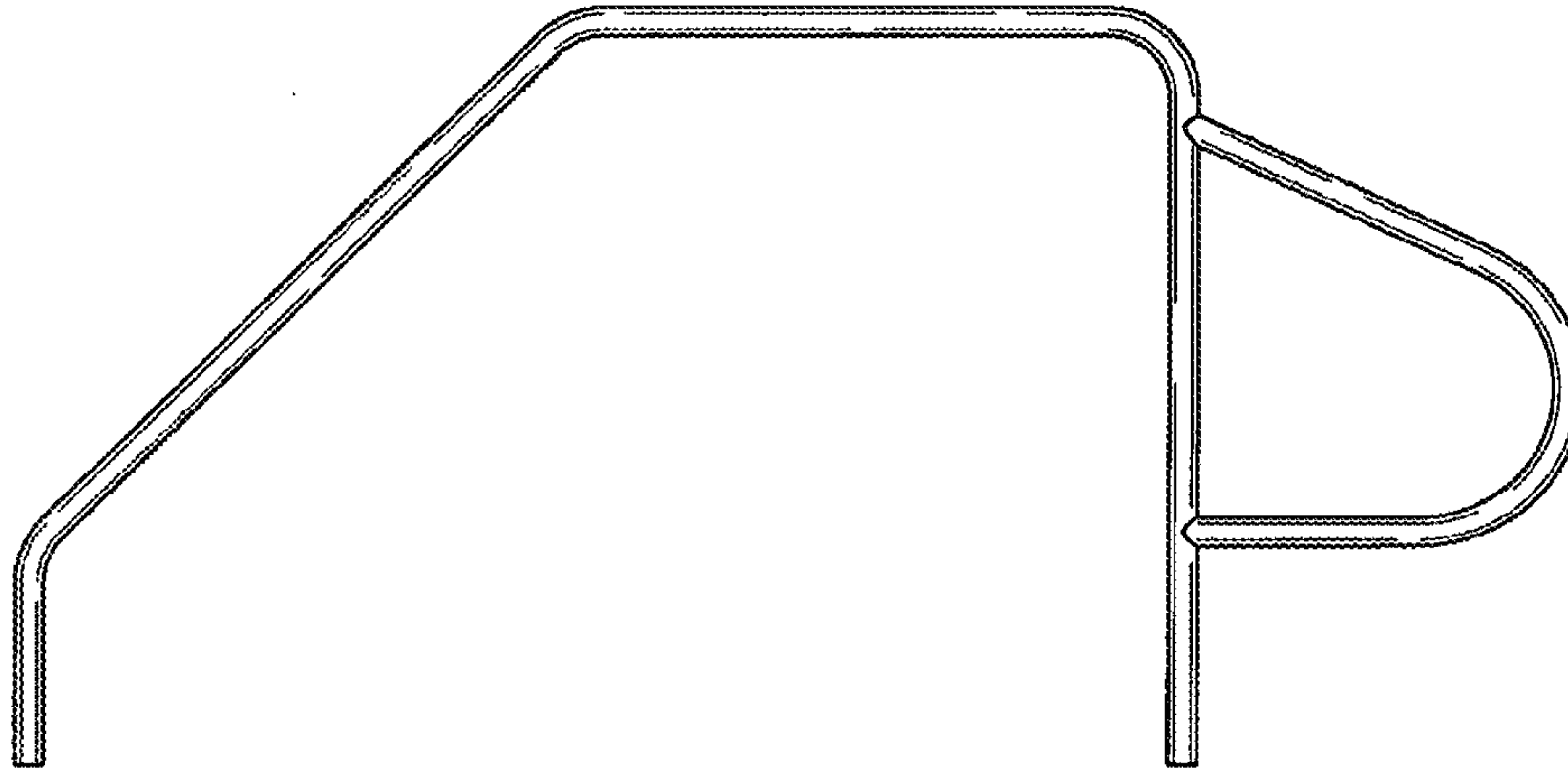


FIG. 2





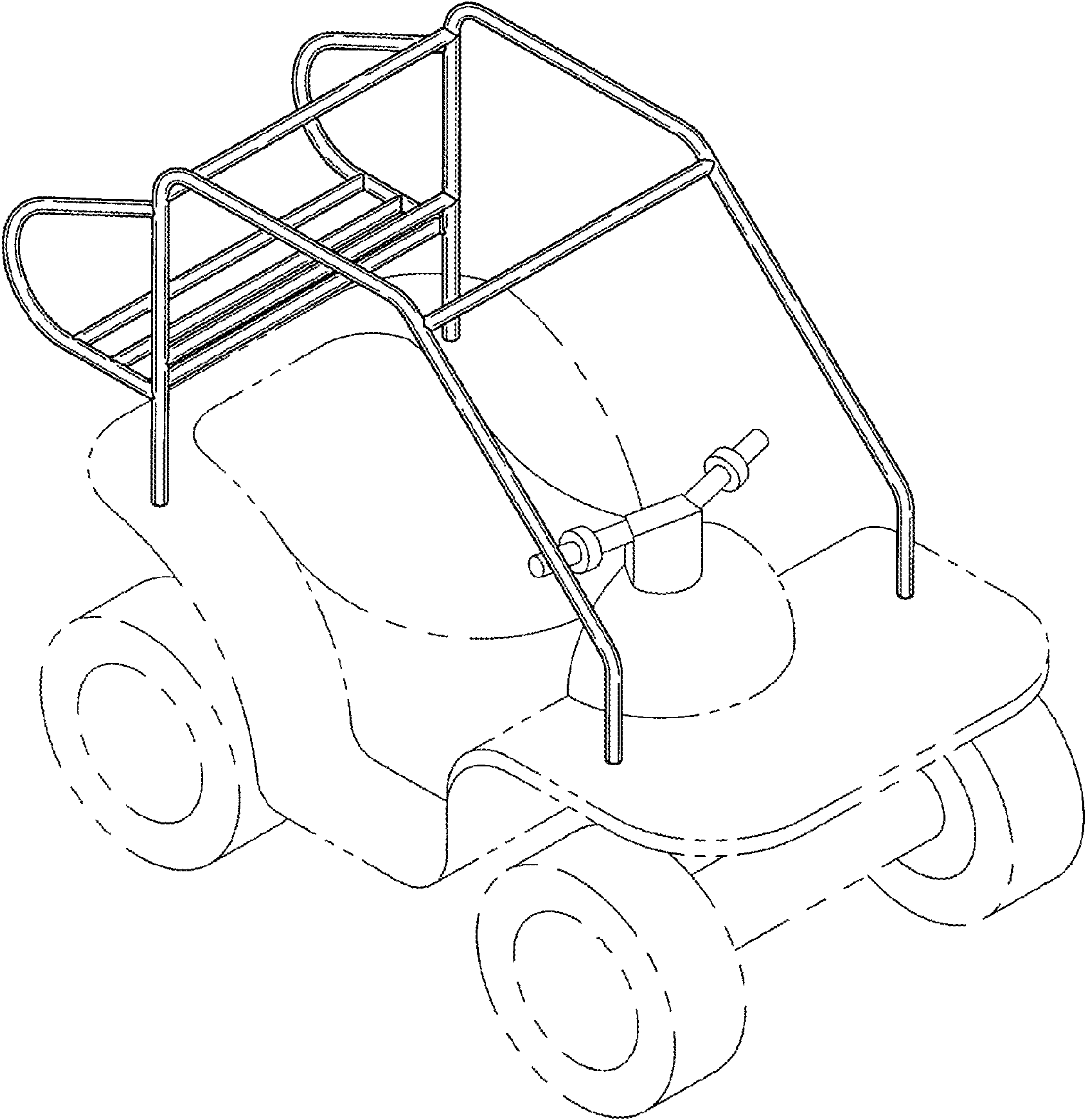


FIG. 2

