



US00D758278S

(12) **United States Design Patent**  
**Behmer et al.**

(10) **Patent No.:** **US D758,278 S**  
(45) **Date of Patent:** **\*\* Jun. 7, 2016**

- (54) **VEHICLE WHEEL**
- (71) Applicant: **Ford Motor Company**, Dearborn, MI (US)
- (72) Inventors: **Darrell Behmer**, Novi, MI (US); **Henry Bernardo**, Southfield, MI (US); **Damon Depeyster**, Northville, MI (US)
- (73) Assignee: **Ford Motor Company**, Dearborn, MI (US)
- (\*\*) Term: **14 Years**
- (21) Appl. No.: **29/508,893**
- (22) Filed: **Nov. 12, 2014**
- (51) **LOC (10) Cl.** ..... **12-16**
- (52) **U.S. Cl.**  
USPC ..... **D12/211**
- (58) **Field of Classification Search**  
USPC ..... D12/204–213  
CPC ..... B60B 7/00; B60B 7/02; B60B 7/04; B60B 7/01; B60B 7/06; B60B 3/02; B60B 3/04; B60B 3/06; B60B 3/10; B60B 1/00; B60B 1/08; B60B 1/10; B60B 1/12  
See application file for complete search history.

(56) **References Cited**

**U.S. PATENT DOCUMENTS**

D515,996 S	*	2/2006	Baumgartner	.....	D12/209
D520,436 S	*	5/2006	Muzzarelli	.....	D12/211
D521,435 S	*	5/2006	Fitzgerald	.....	D12/209
D526,268 S	*	8/2006	Pfeiffer	.....	D12/211
D528,059 S	*	9/2006	Hieke	.....	D12/209
D532,734 S	*	11/2006	Hieke	.....	D12/209
D535,240 S	*	1/2007	Chang	.....	D12/211

D582,329 S	*	12/2008	Hieke	.....	D12/209
D585,351 S	*	1/2009	Hieke	.....	D12/209
D589,425 S	*	3/2009	Theiss	.....	D12/209
D608,713 S		1/2010	Bucher et al.		
D608,714 S		1/2010	Bucher et al.		
D608,715 S		1/2010	Bucher et al.		
D617,711 S	*	6/2010	Lamm	.....	D12/209
D627,698 S	*	11/2010	Zhang	.....	D12/209
D627,701 S	*	11/2010	Hilpert	.....	D12/211
D639,220 S	*	6/2011	Zhao	.....	D12/209
D651,957 S	*	1/2012	Chung	.....	D12/209
D662,868 S	*	7/2012	Furst	.....	D12/209
D673,094 S	*	12/2012	Behmer	.....	D12/209
D703,124 S	*	4/2014	Gallert	.....	D12/209
D712,329 S	*	9/2014	Borkert	.....	D12/209
D720,271 S	*	12/2014	Mielke	.....	D12/209

**OTHER PUBLICATIONS**

Jason Udy. Spied: Refreshed 2016 Ford Explorer Loses Some Camo. Oct. 11, 2014 [online], [retrieved on Nov. 3, 2014] Retrieved from the Internet <URL: [http://wot.motortrend.com/1410\\_spied\\_refreshed\\_2016\\_ford\\_explorer\\_loses\\_some\\_camo.html](http://wot.motortrend.com/1410_spied_refreshed_2016_ford_explorer_loses_some_camo.html)>.

2016 Ford Explorer SUV Review. [retrieved on Nov. 3, 2014] Retrieved from the Internet <URL: <http://www.edmunds.com/ford/explorer/2016/>>.

\* cited by examiner

*Primary Examiner* — Stacia Cadmus

(74) *Attorney, Agent, or Firm* — Damian Porcari

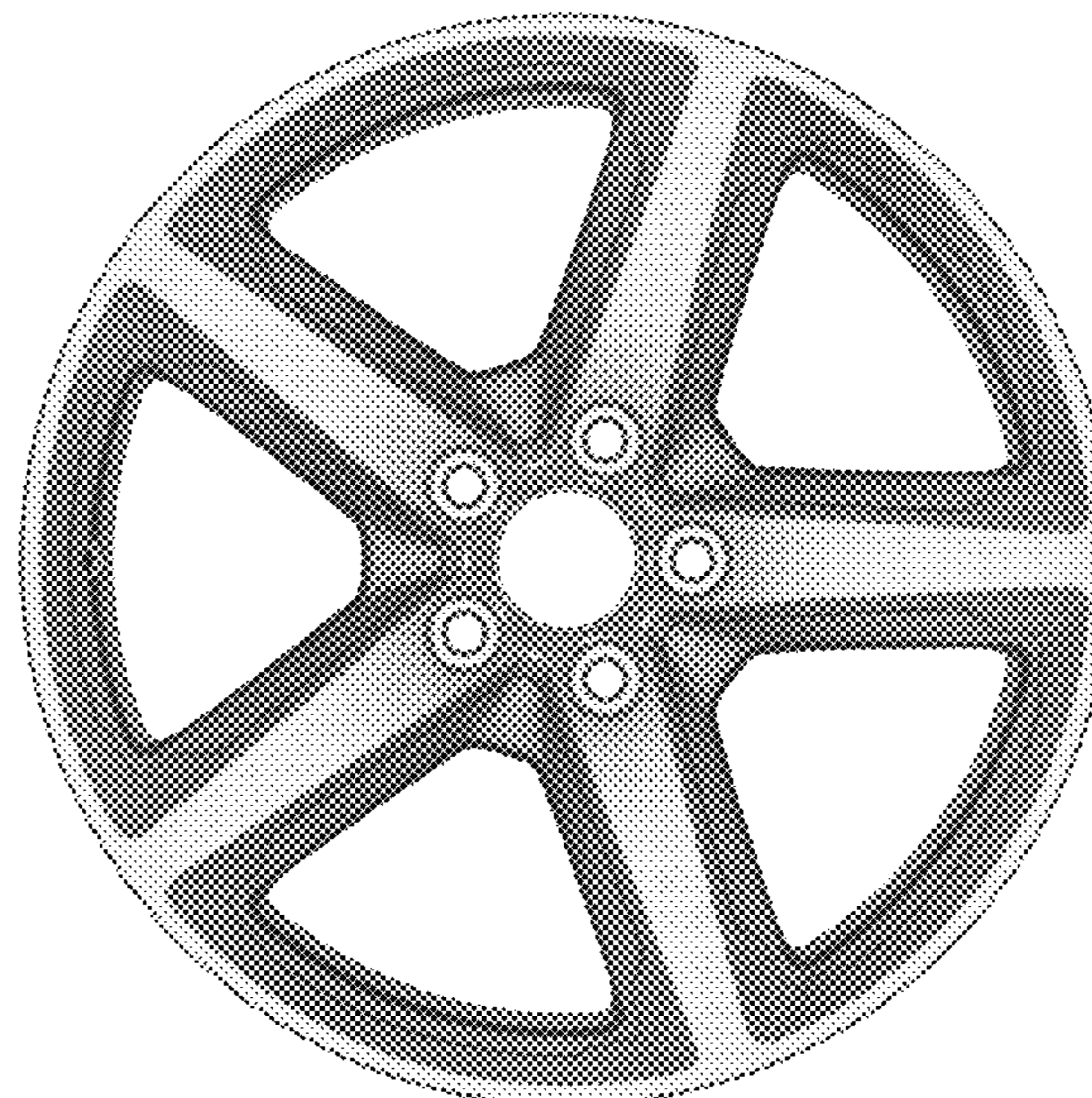
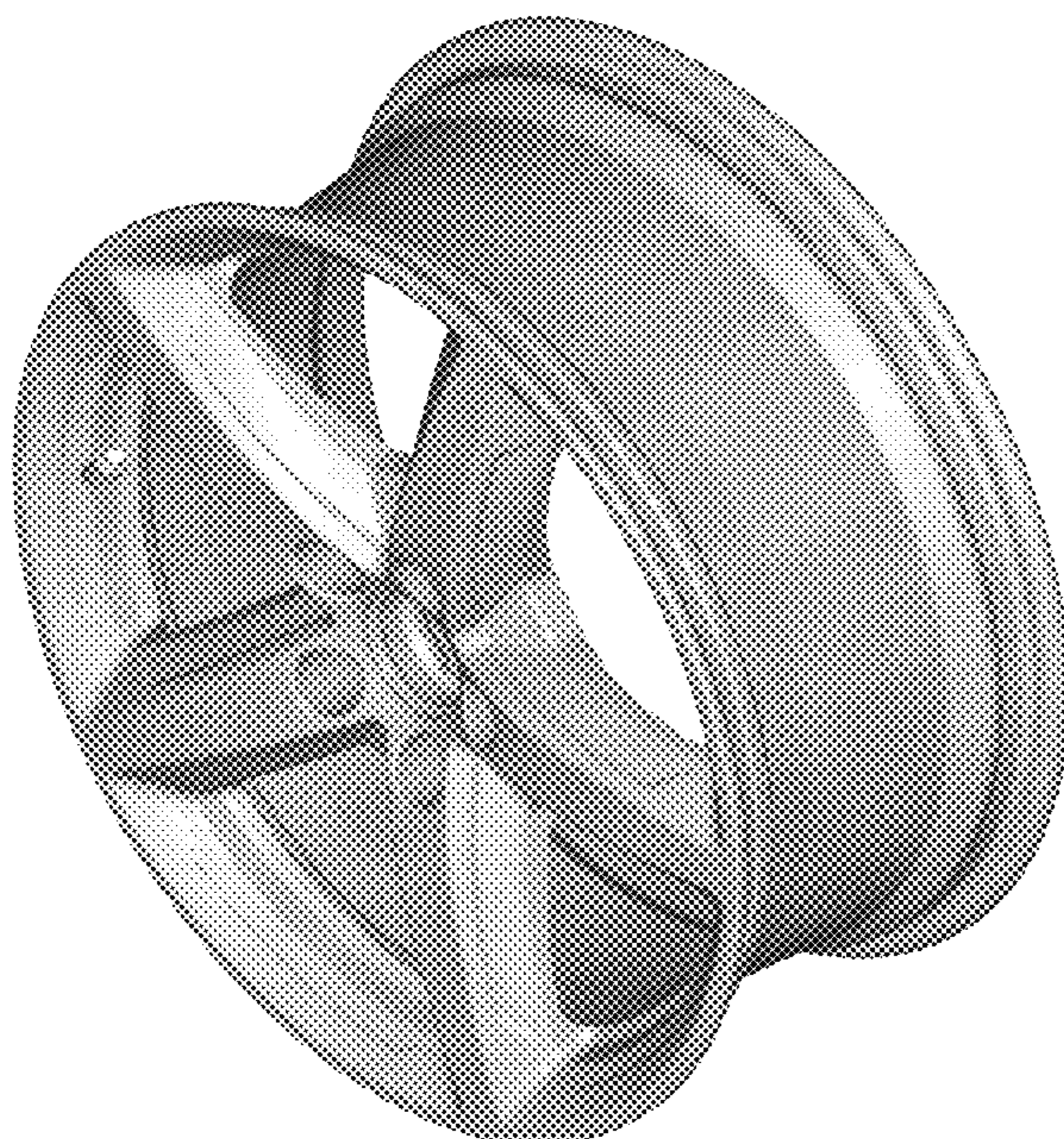
(57) **CLAIM**

The ornamental design for a vehicle wheel, as shown and described.

**DESCRIPTION**

FIG. 1 is a perspective view of a vehicle wheel; and, FIG. 2 is a front view thereof.

**1 Claim, 2 Drawing Sheets**



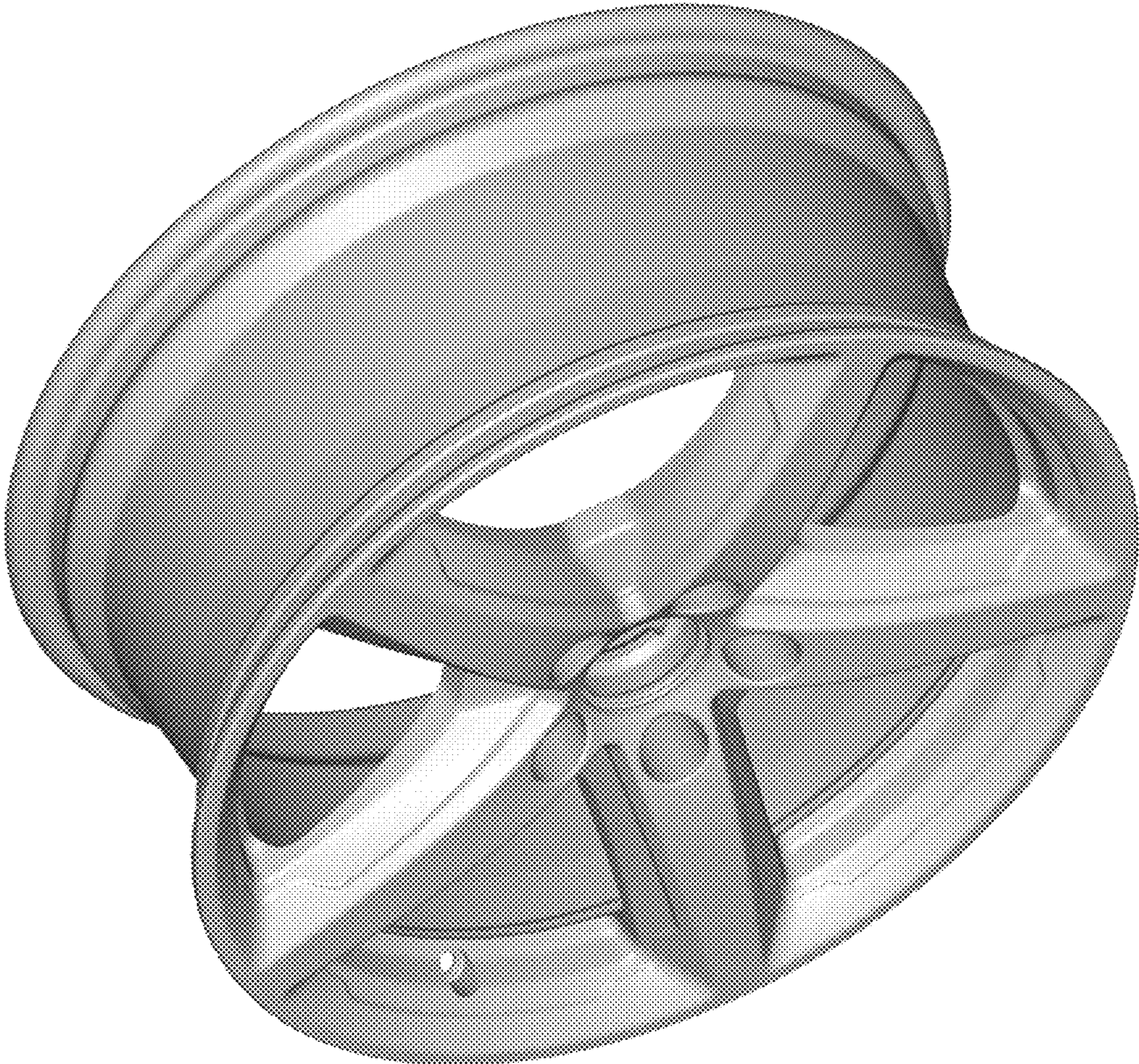


Figure 1



Figure 2