



US00D758273S

(12) **United States Design Patent**
Baum

(10) **Patent No.:** **US D758,273 S**
(45) **Date of Patent:** **** Jun. 7, 2016**

(54) **WHEEL FOR A MOTOR VEHICLE**

(71) Applicant: **Dr. Ing. h.c. F. Porsche**
Aktiengesellschaft, Stuttgart (DE)

(72) Inventor: **Benjamin Baum, Stuttgart (DE)**

(73) Assignee: **Dr. Ing. h.c.F. Porsche**
Aktiengesellschaft (DE)

(**) Term: **14 Years**

(21) Appl. No.: **29/480,487**

(22) Filed: **Jan. 27, 2014**

(30) **Foreign Application Priority Data**

Jul. 26, 2013 (DE) 40 2013 100 757

(51) **LOC (10) Cl.** **12-16**

(52) **U.S. Cl.**
USPC **D12/209**

(58) **Field of Classification Search**

USPC D12/204–213
CPC B60B 7/00; B60B 7/02; B60B 7/04;
B60B 7/01; B60B 7/06; B60B 3/02; B60B
3/04; B60B 3/06; B60B 3/10; B60B 1/00;
B60B 1/08; B60B 1/10; B60B 1/12
See application file for complete search history.

(56) **References Cited**

U.S. PATENT DOCUMENTS

D466,853 S * 12/2002 Maifrini D12/211
D520,433 S * 5/2006 Hosoi D12/211
D527,334 S * 8/2006 Hettler D12/211
D530,257 S * 10/2006 Pfeiffer D12/211
D573,081 S * 7/2008 Kim D12/211
D615,018 S * 5/2010 Truebsbach D12/211
D620,424 S * 7/2010 Gallert D12/211

D625,235 S * 10/2010 Nissl D12/209
D648,255 S 11/2011 Scheinhutte
D649,102 S 11/2011 Gallert
D649,103 S 11/2011 Gallert
D649,104 S 11/2011 Gallert
D651,550 S * 1/2012 Elmitt D12/209
D656,879 S 4/2012 Gallert
D664,910 S 8/2012 Gallert
D671,473 S * 11/2012 Zurian D12/209
D680,482 S * 4/2013 Gruner D12/209
D684,517 S 6/2013 Scheinhutte
D684,912 S 6/2013 Yamashita
D685,708 S 7/2013 Gallert
D686,135 S 7/2013 Borkert
D735,102 S * 7/2015 Swanseger D12/209

* cited by examiner

Primary Examiner — Stacia Cadmus

(74) *Attorney, Agent, or Firm* — Gerald E. Hespos; Michael
J. Porco; Matthew T. Hespos

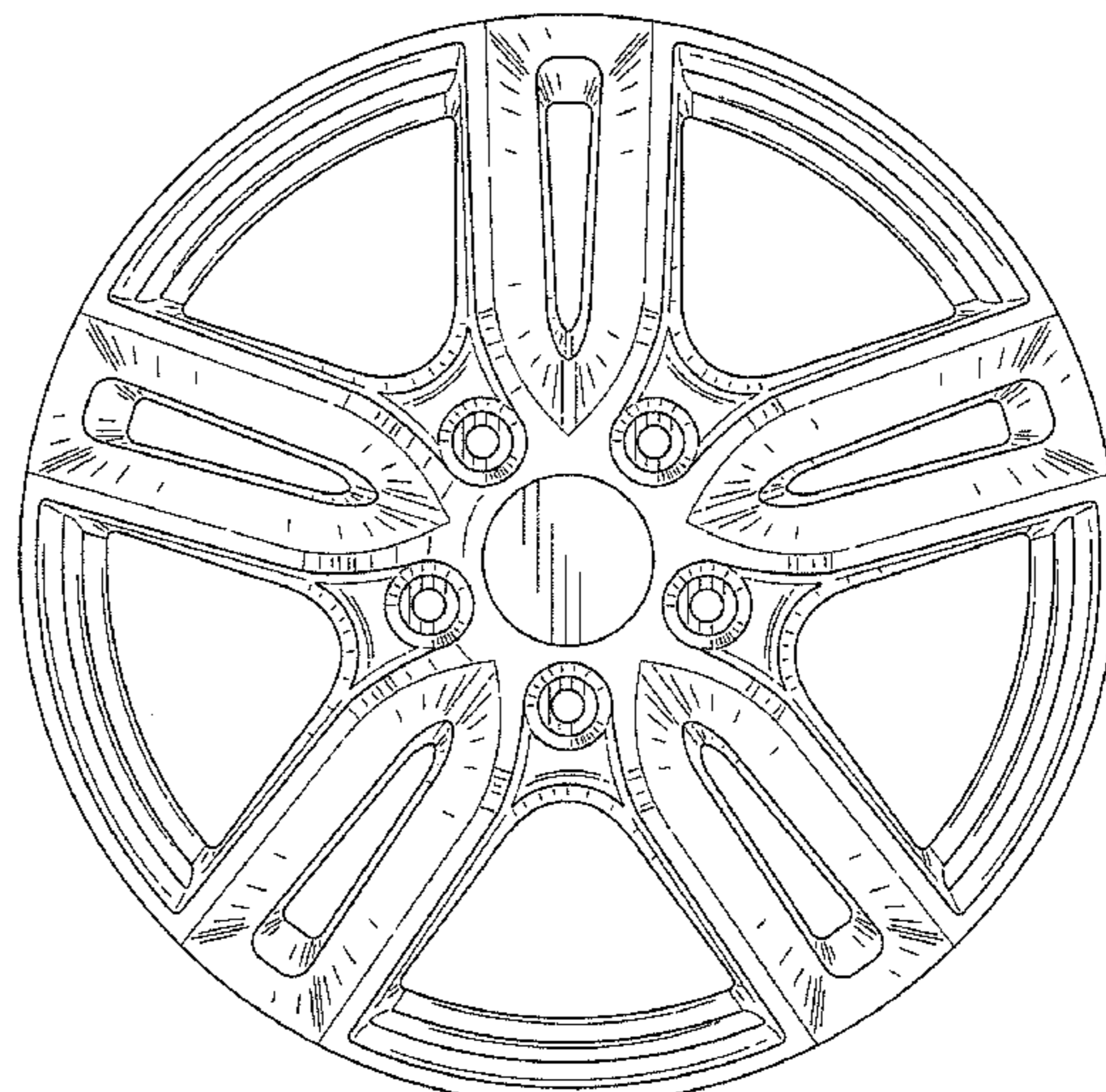
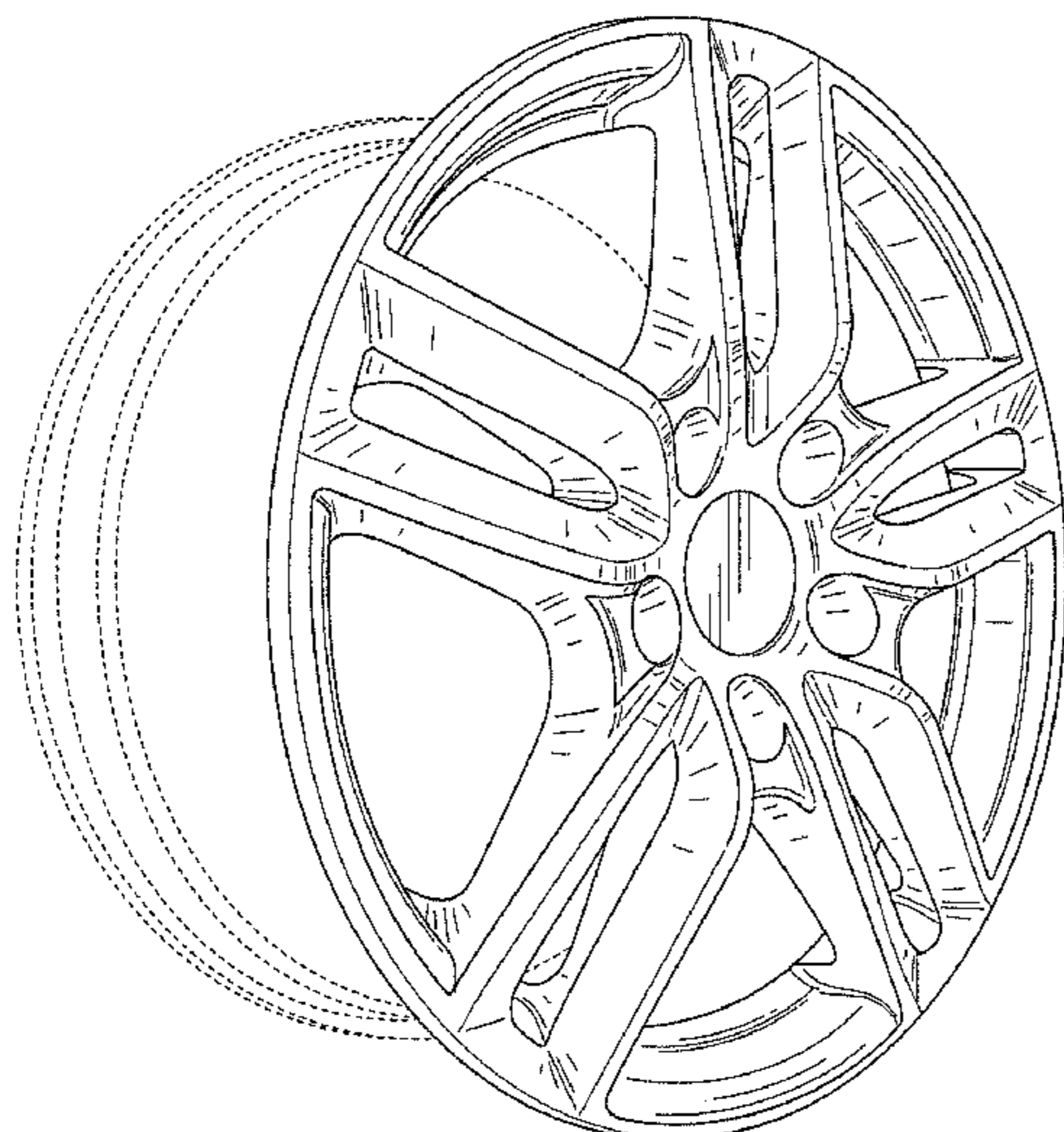
(57) **CLAIM**

The ornamental design for a wheel for a motor vehicle, as
shown and described.

DESCRIPTION

FIG. 1 is a perspective view of a wheel for a motor vehicle in
accordance with my design;
FIG. 2 is a front elevational view of the wheel for a motor
vehicle of FIG. 1;
FIG. 3 is a top plan view thereof;
FIG. 4 is a left side elevation view;
FIG. 5 is a right side elevation view;
FIG. 6 is a bottom plan view thereof; and,
FIG. 7 is a rear elevational view of thereof.
The broken line showing the rim is included for the purpose of
illustrating environment and forms no part of the claimed
design.

1 Claim, 6 Drawing Sheets



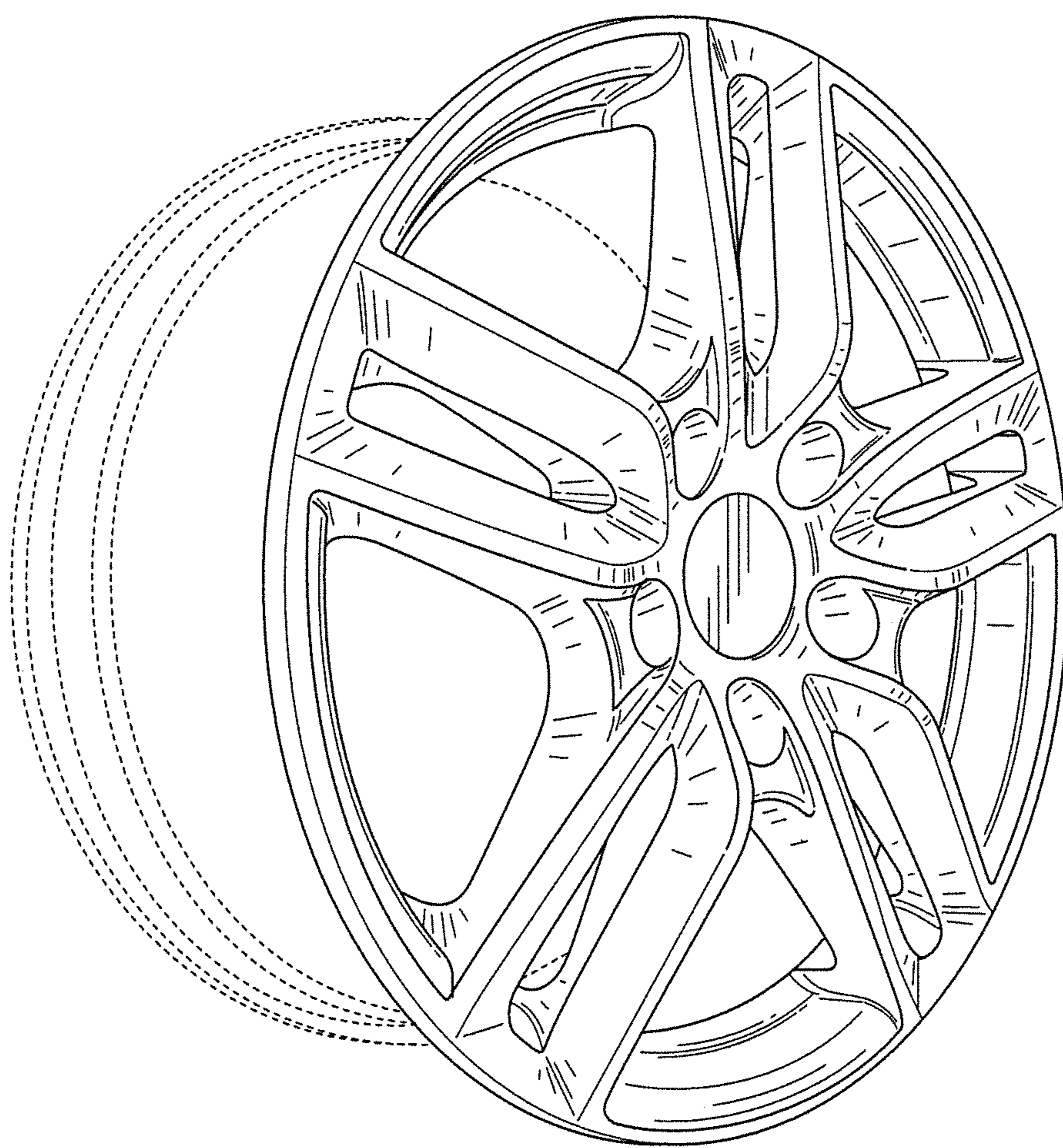


FIG. 1

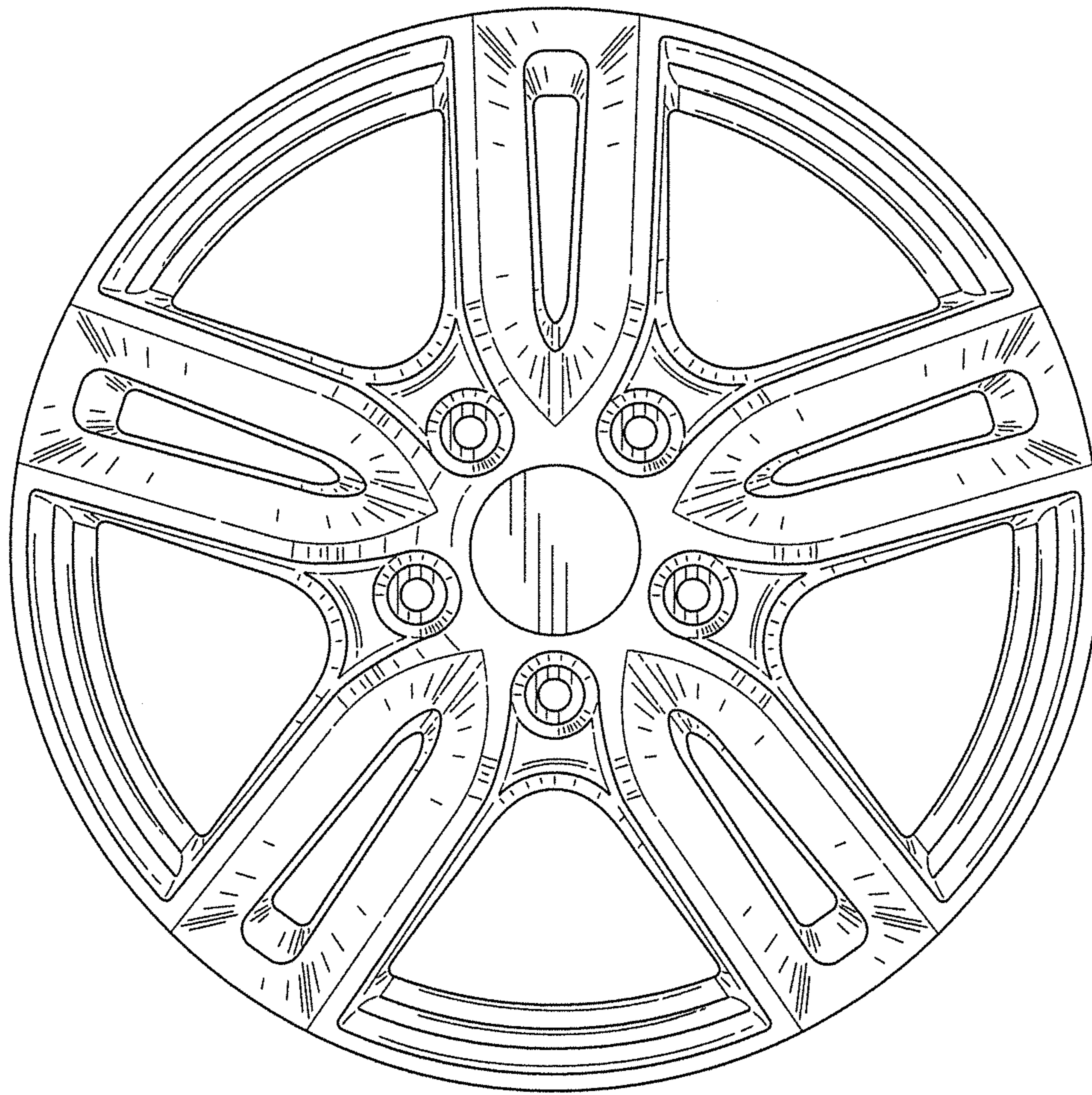


FIG. 2

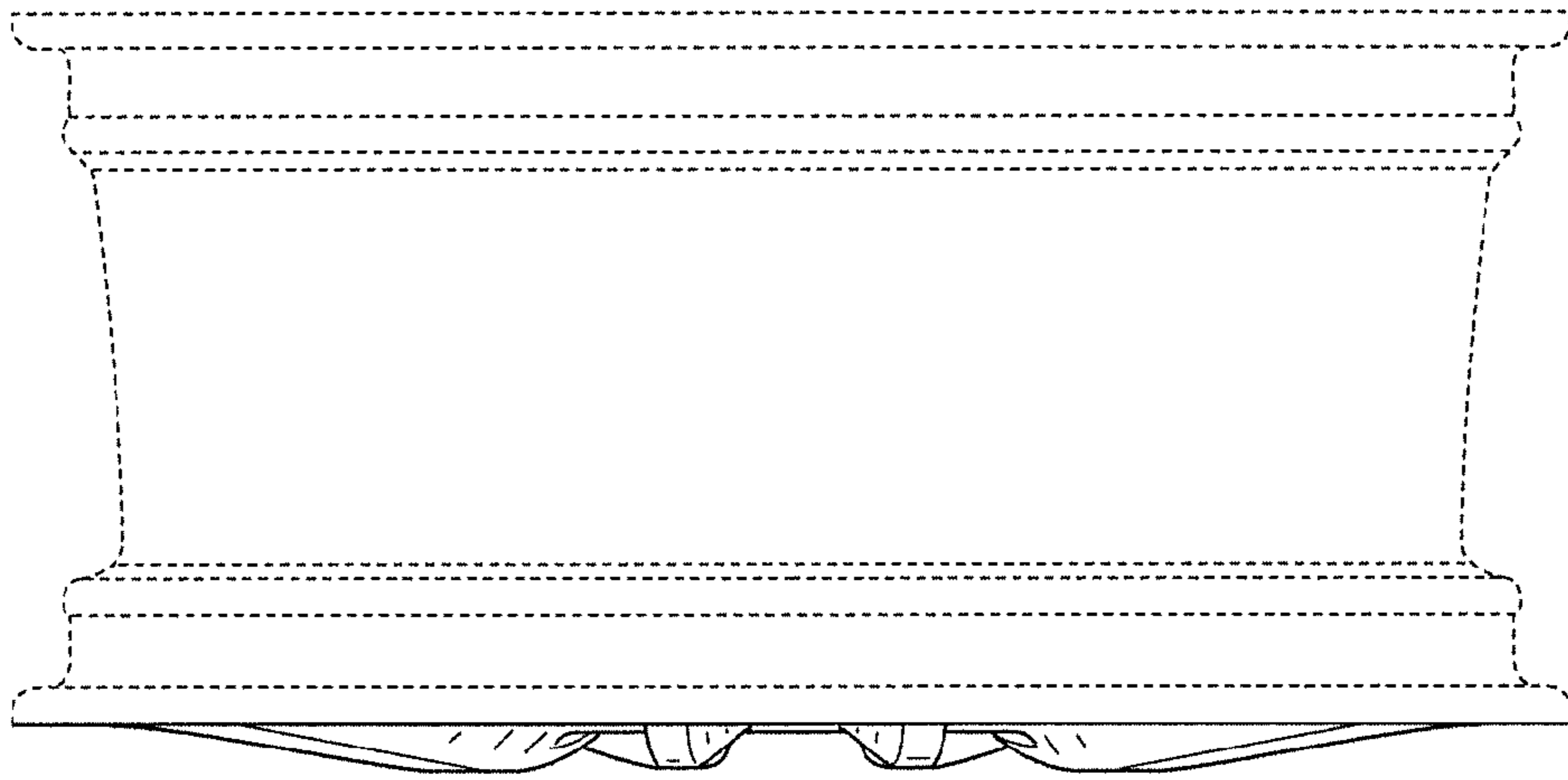


FIG. 3

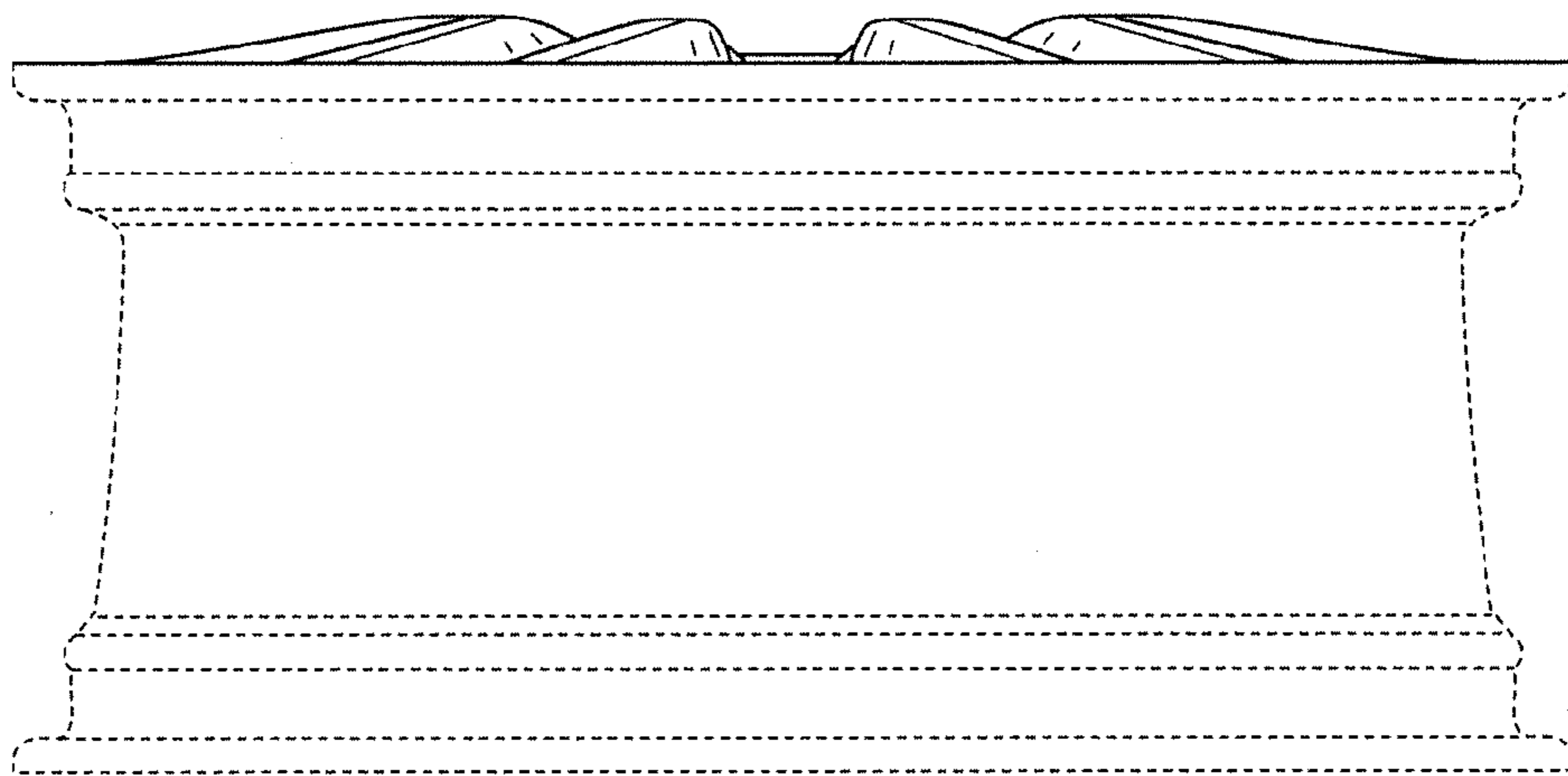


FIG. 6

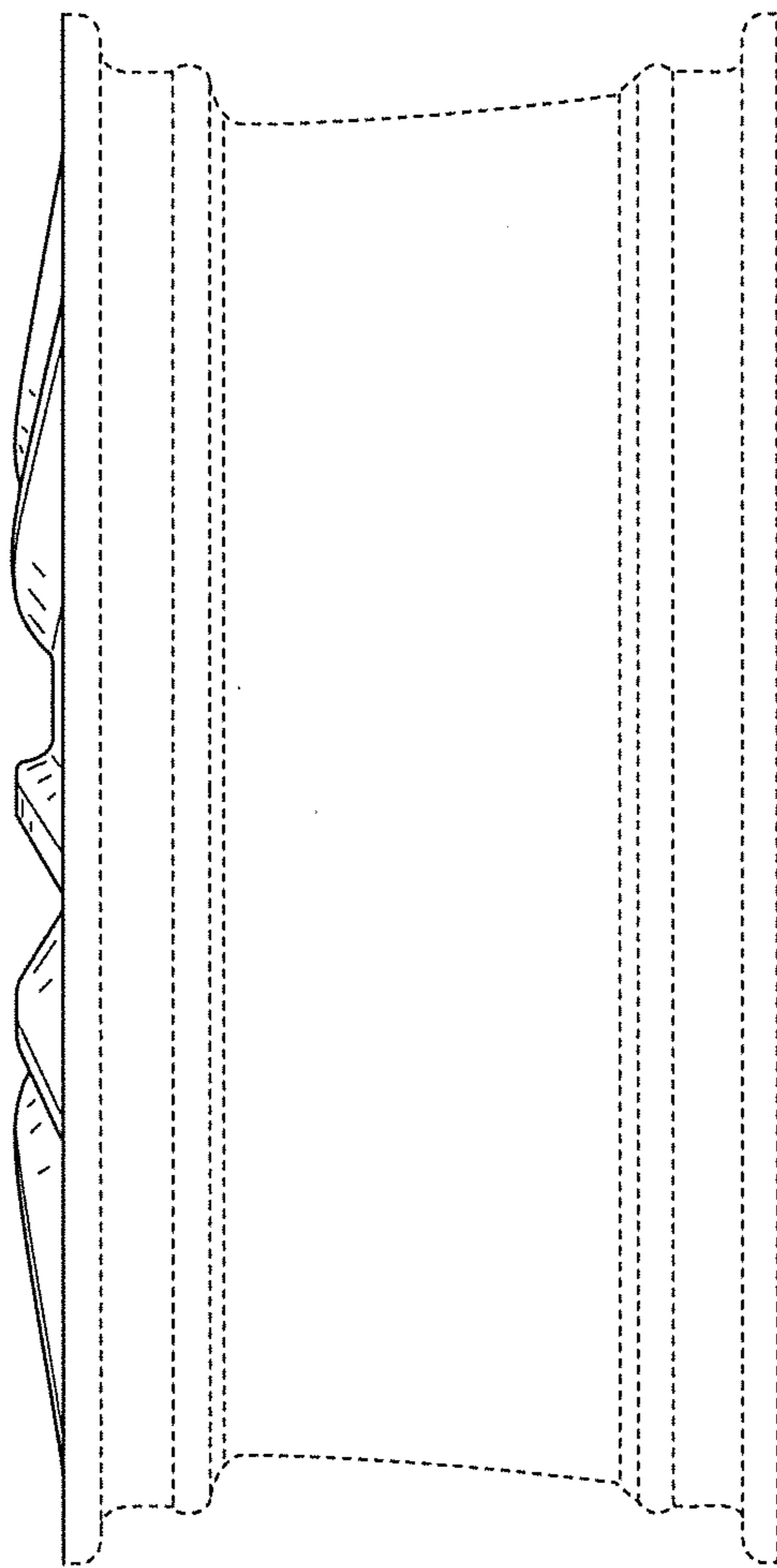


FIG. 4

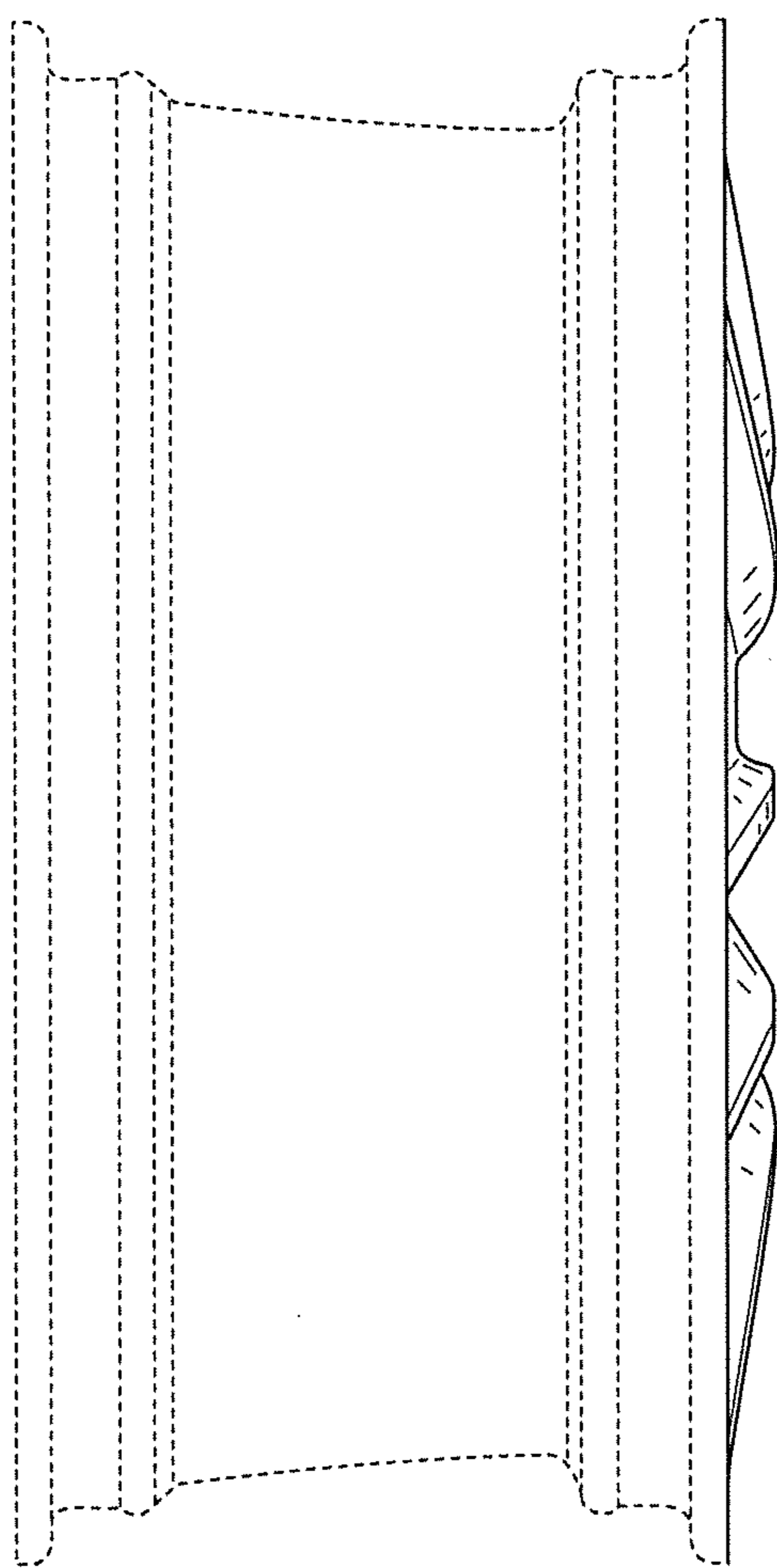


FIG. 5

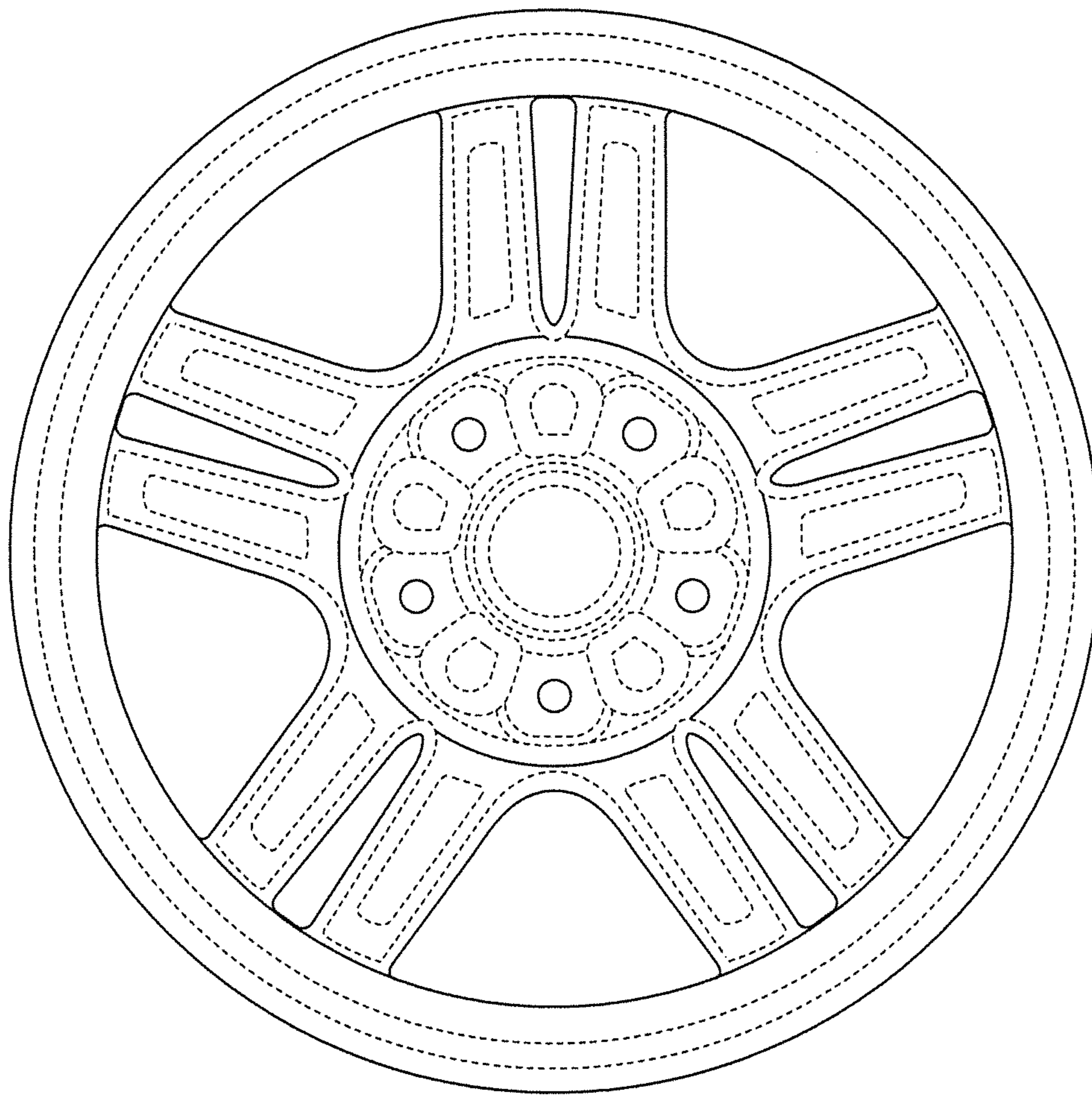


FIG. 7