



US00D758271S

(12) **United States Design Patent**  
**McMahan et al.**

(10) **Patent No.:** **US D758,271 S**  
(45) **Date of Patent:** **\*\* \*Jun. 7, 2016**

- (54) **VEHICLE TAILGATE PANEL**
- (71) Applicant: **GM GLOBAL TECHNOLOGY OPERATIONS LLC**, Detroit, MI (US)
- (72) Inventors: **Robert B. McMahan**, Bloomfield Hills, MI (US); **Brendon C. Mackay**, Shelby Township, MI (US); **Tyler L. H. Moffett**, Detroit, MI (US)
- (73) Assignee: **GM Global Technology Operations LLC**, Detroit, MI (US)

|           |   |   |         |                  |       |           |
|-----------|---|---|---------|------------------|-------|-----------|
| 5,263,252 | A | * | 11/1993 | Bruggink         | ..... | 29/897.32 |
| D397,978  | S | * | 9/1998  | Helgeson et al.  | ..... | D12/196   |
| D399,468  | S | * | 10/1998 | Lund et al.      | ..... | D12/196   |
| D420,317  | S | * | 2/2000  | Ney              | ..... | D12/196   |
| D494,521  | S | * | 8/2004  | Metros et al.    | ..... | D12/196   |
| D494,910  | S | * | 8/2004  | Metros et al.    | ..... | D12/196   |
| D527,697  | S | * | 9/2006  | Metros et al.    | ..... | D12/196   |
| D529,290  | S | * | 10/2006 | Schloss          | ..... | D3/318    |
| D541,719  | S | * | 5/2007  | McChesney et al. | ..... | D12/196   |
| D556,110  | S | * | 11/2007 | Schiavone et al. | ..... | D12/196   |
| D613,225  | S | * | 4/2010  | Wu               | ..... | D12/196   |
| D614,556  | S | * | 4/2010  | Wu               | ..... | D12/196   |
| D616,475  | S | * | 5/2010  | Slomp et al.     | ..... | D15/145   |
| D682,759  | S | * | 5/2013  | Oliver           | ..... | D12/196   |

(Continued)

(\*) Notice: This patent is subject to a terminal disclaimer.

(\*\*) Term: **14 Years**

(21) Appl. No.: **29/506,076**

(22) Filed: **Oct. 13, 2014**

(51) **LOC (10) Cl.** ..... **12-16**

(52) **U.S. Cl.**  
USPC ..... **D12/196**

(58) **Field of Classification Search**  
 USPC ..... D12/196, 169, 163, 86, 90, 91, 92, 93, D12/98; D21/424, 433, 434; D25/48.4, D25/48.1, 48.5, 199; D6/663; 296/181.1, 296/181.5, 180.1, 180.2, 146.5, 100.01, 56, 296/57.1, 76, 106, 26.11, 203.04  
 CPC .... B62D 25/08; B62D 33/0273; B62D 33/03; B62D 33/037; B62D 33/023; B62D 33/033; B62D 33/027; B62D 33/0276; B60P 1/26; E05Y 2900/548; E05Y 2900/546; B60R 9/06; B60R 9/04

See application file for complete search history.

(56) **References Cited**

**U.S. PATENT DOCUMENTS**

|           |   |   |        |         |       |        |
|-----------|---|---|--------|---------|-------|--------|
| 4,211,448 | A | * | 7/1980 | Weston  | ..... | 296/3  |
| D333,083  | S | * | 2/1993 | Stenger | ..... | D8/346 |

**OTHER PUBLICATIONS**

Design U.S. Appl. No. 29/491,286, filed May 20, 2014; First Named Inventor: Robert B. McMahan; Title: Vehicle Body Exterior; 7 pages.

(Continued)

*Primary Examiner* — Eric Goodman

*Assistant Examiner* — Clese Moore, Jr.

(74) *Attorney, Agent, or Firm* — Reising Ethington P.C.

(57) **CLAIM**

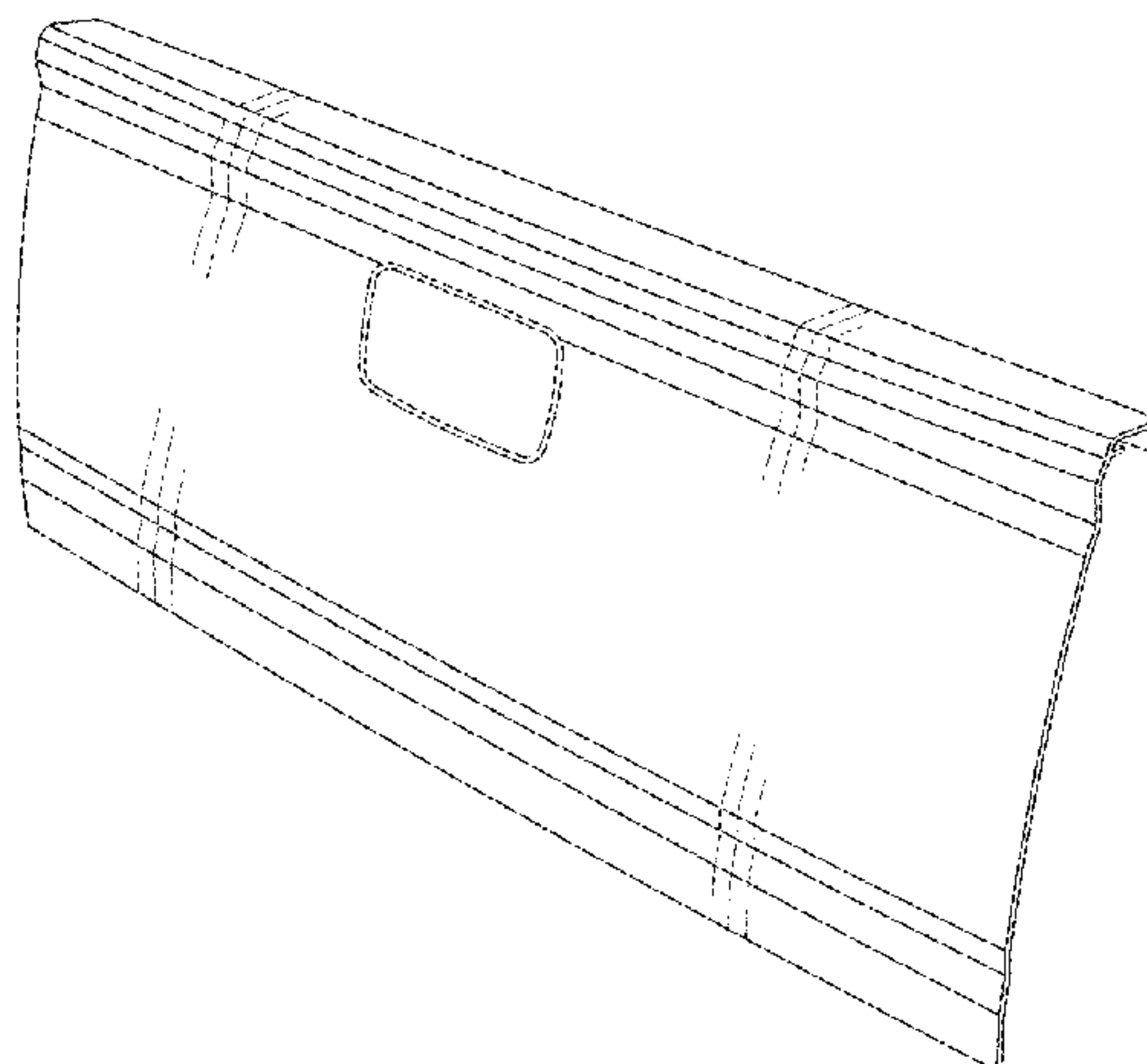
The ornamental design for a vehicle tailgate panel, as shown and described.

**DESCRIPTION**

FIG. 1 is a front perspective view of the vehicle tailgate panel; FIG. 2 is a right side elevation view thereof; FIG. 3 is a top plan view thereof; and, FIG. 4 is a front view thereof.

The left side elevation view of the vehicle tailgate panel is omitted because the left side elevation view is identical to the right side elevation view. And the broken lines shown in the drawings depict portions of the vehicle tailgate panel that form no part of the claimed design.

**1 Claim, 1 Drawing Sheet**



(56)

**References Cited**

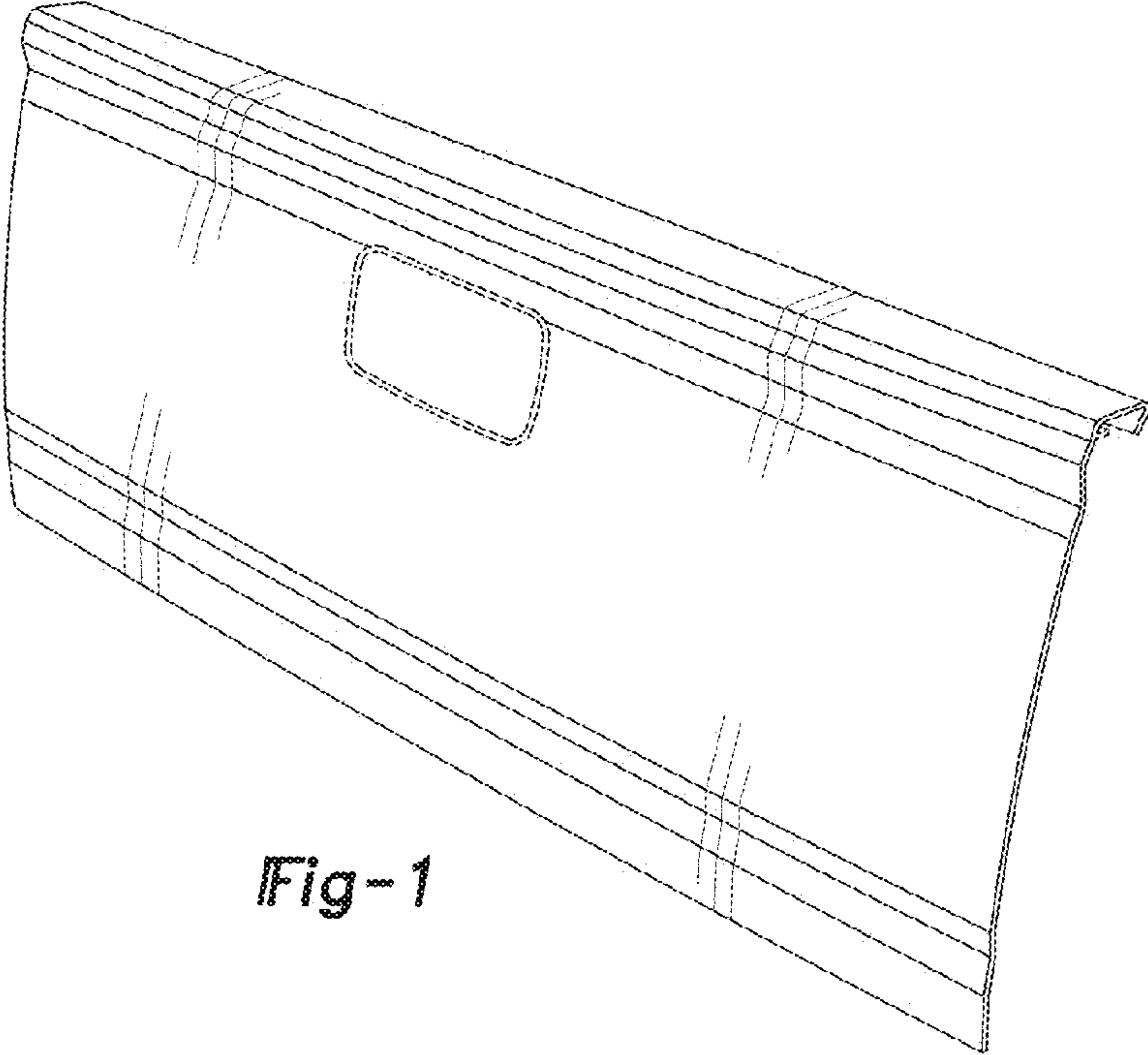
**OTHER PUBLICATIONS**

U.S. PATENT DOCUMENTS

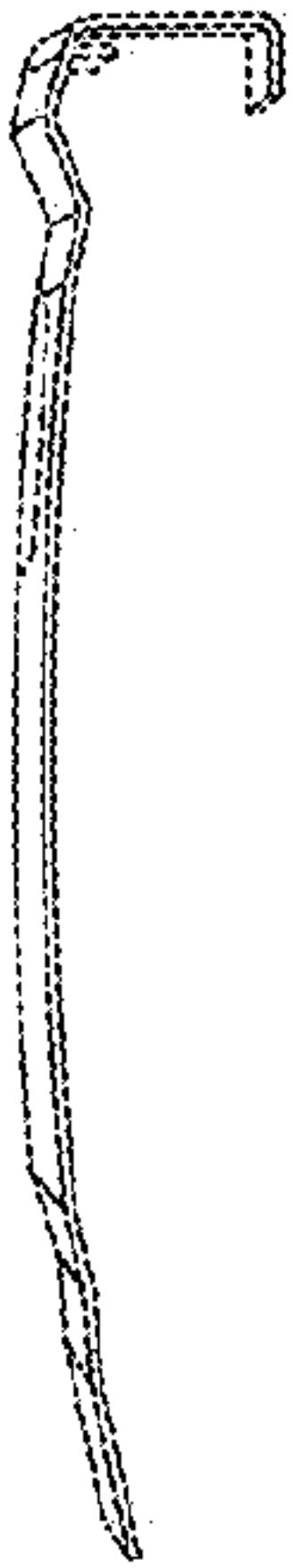
D684,515 S \* 6/2013 Oliver ..... D12/196  
8,714,622 B2 \* 5/2014 Spencer et al. .... 296/100.18  
8,764,094 B1 \* 7/2014 Castillo ..... 296/100.08  
D710,151 S \* 8/2014 Busalt et al. .... D7/405  
D710,283 S \* 8/2014 O'Donnell et al. .... D12/196  
D710,777 S \* 8/2014 Platto et al. .... D12/196  
2008/0224461 A1 \* 9/2008 Allen ..... 280/830  
2009/0236870 A1 \* 9/2009 Duncan ..... 296/136.04

Design U.S. Appl. No. 29/498,216, filed Aug. 1, 2014; First Named  
Inventor: Brian J. Smith; Title: Vehicle Decklid; 3 pages.  
Design U.S. Appl. No. 29/500,891, filed Aug. 29, 2014; First Named  
Inventor: Louis D. Thole; Title: Vehicle Decklid; 2 pages.  
Design U.S. Appl. No. 29/501,193, filed Sep. 2, 2014; First Named  
Inventor: Robert E. Boniface; Title: Vehicle Decklid; 3 pages.

\* cited by examiner



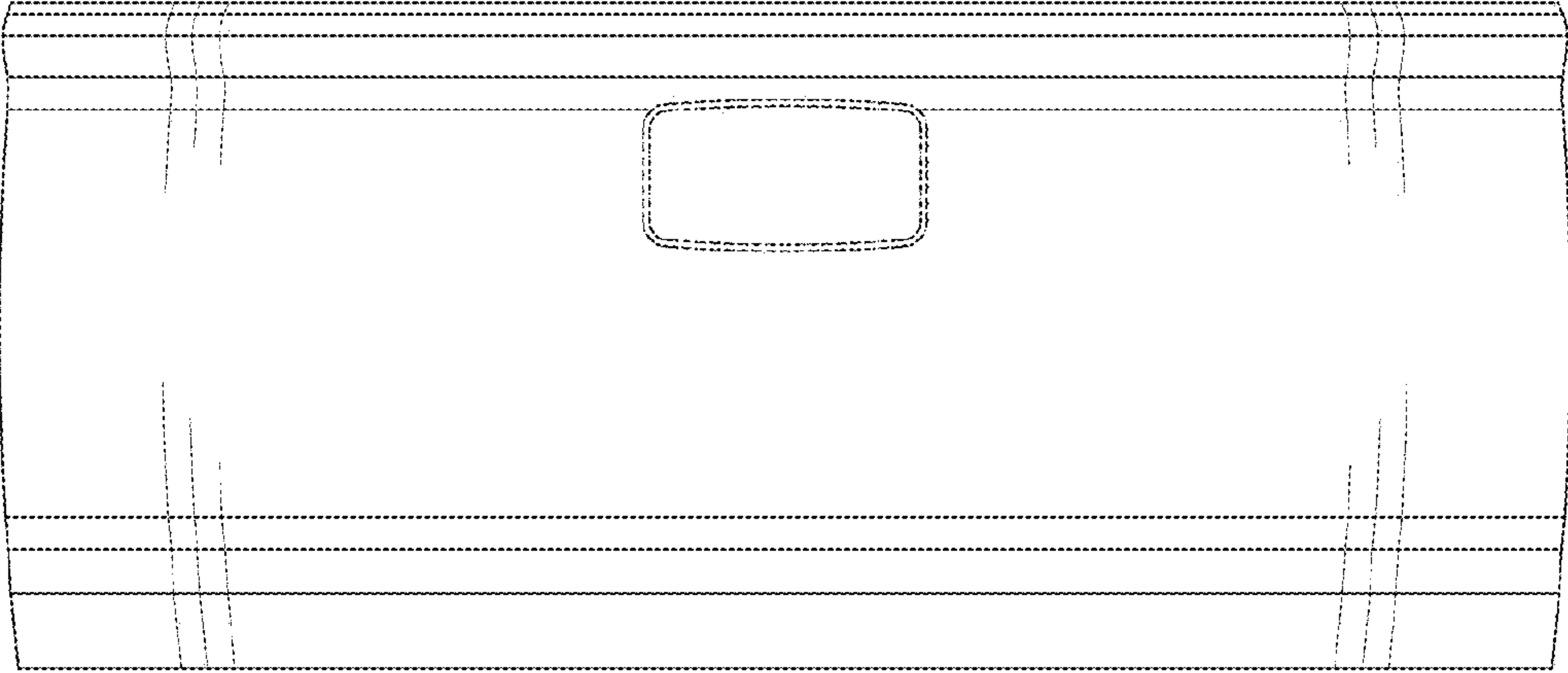
*Fig-1*



*Fig-2*



*Fig-3*



*Fig-4*