



US00D758265S

(12) **United States Design Patent**  
**Ichikawa et al.**

(10) **Patent No.:** **US D758,265 S**  
(45) **Date of Patent:** **\*\* Jun. 7, 2016**

- (54) **INSTALLATION PANEL FOR VEHICLE**
- (71) Applicant: **Alpine Electronics, Inc.**, Tokyo (JP)
- (72) Inventors: **Takashi Ichikawa**, Tokyo (JP); **Hiroshi Fujimoto**, Tokyo (JP)
- (73) Assignee: **Alpine Electronics, Inc.**, Tokyo (JP)
- (\*\*) Term: **14 Years**
- (21) Appl. No.: **29/513,893**
- (22) Filed: **Jan. 6, 2015**
- (51) **LOC (10) Cl.** ..... **12-16**
- (52) **U.S. Cl.**  
USPC ..... **D12/192**
- (58) **Field of Classification Search**  
USPC ..... D12/192, 415, 110, 114; D15/17, 28;  
D10/46, 98, 102-103, 122-127  
See application file for complete search history.

- D555,646 S \* 11/2007 Quilling, II ..... D14/258
- D639,288 S \* 6/2011 Fiore, IV ..... D14/258
- D639,794 S \* 6/2011 Fiore, IV ..... D14/258
- D639,795 S \* 6/2011 Quilling, II ..... D14/258
- D639,798 S \* 6/2011 Fiore, IV ..... D14/258
- D727,889 S \* 4/2015 Fiore, IV ..... D12/192

\* cited by examiner

*Primary Examiner* — Katrina A Betton  
(74) *Attorney, Agent, or Firm* — Brinks Gilson & Lione

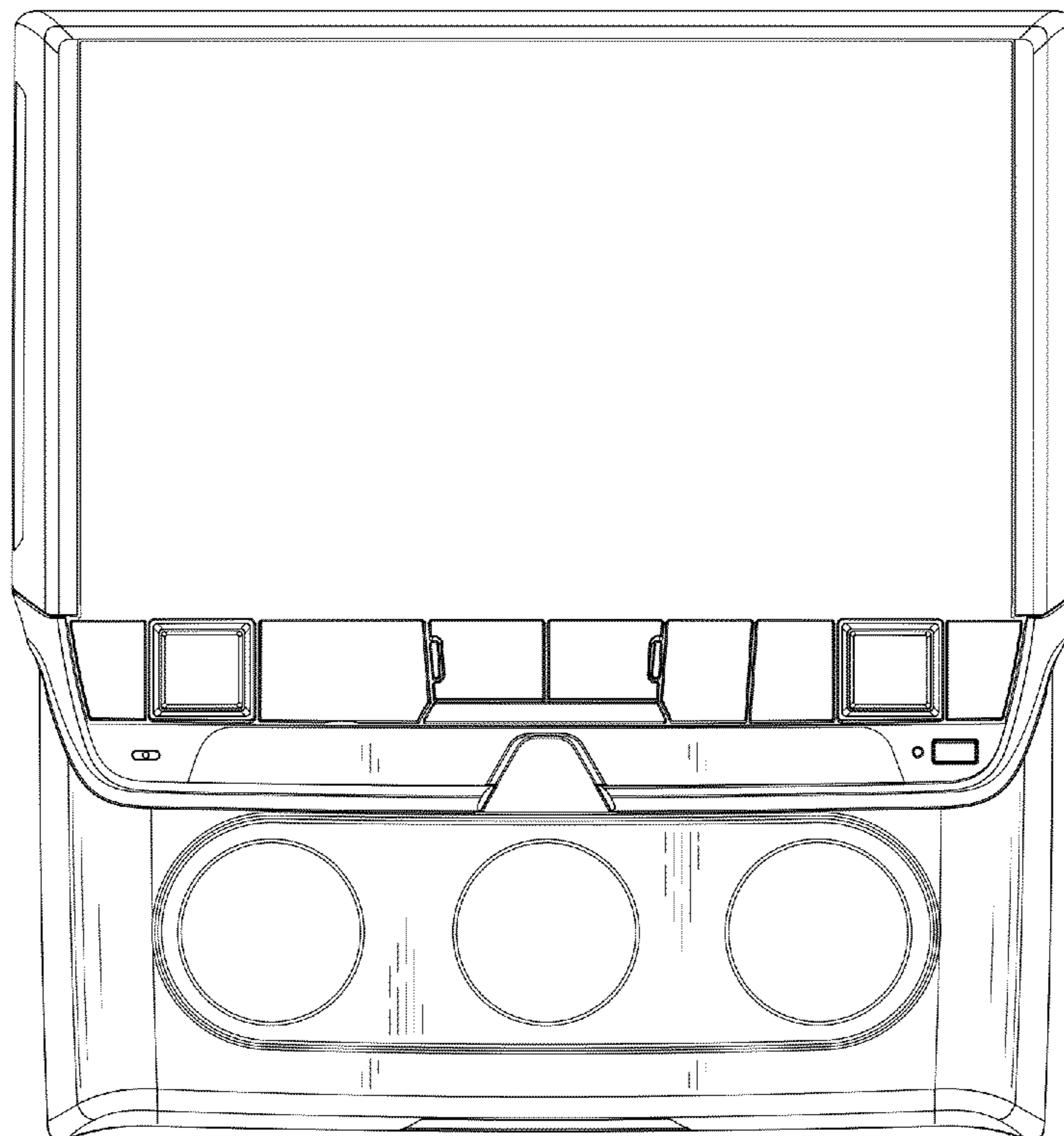
(57) **CLAIM**  
The ornamental design for an installation panel for vehicle, as shown and described.

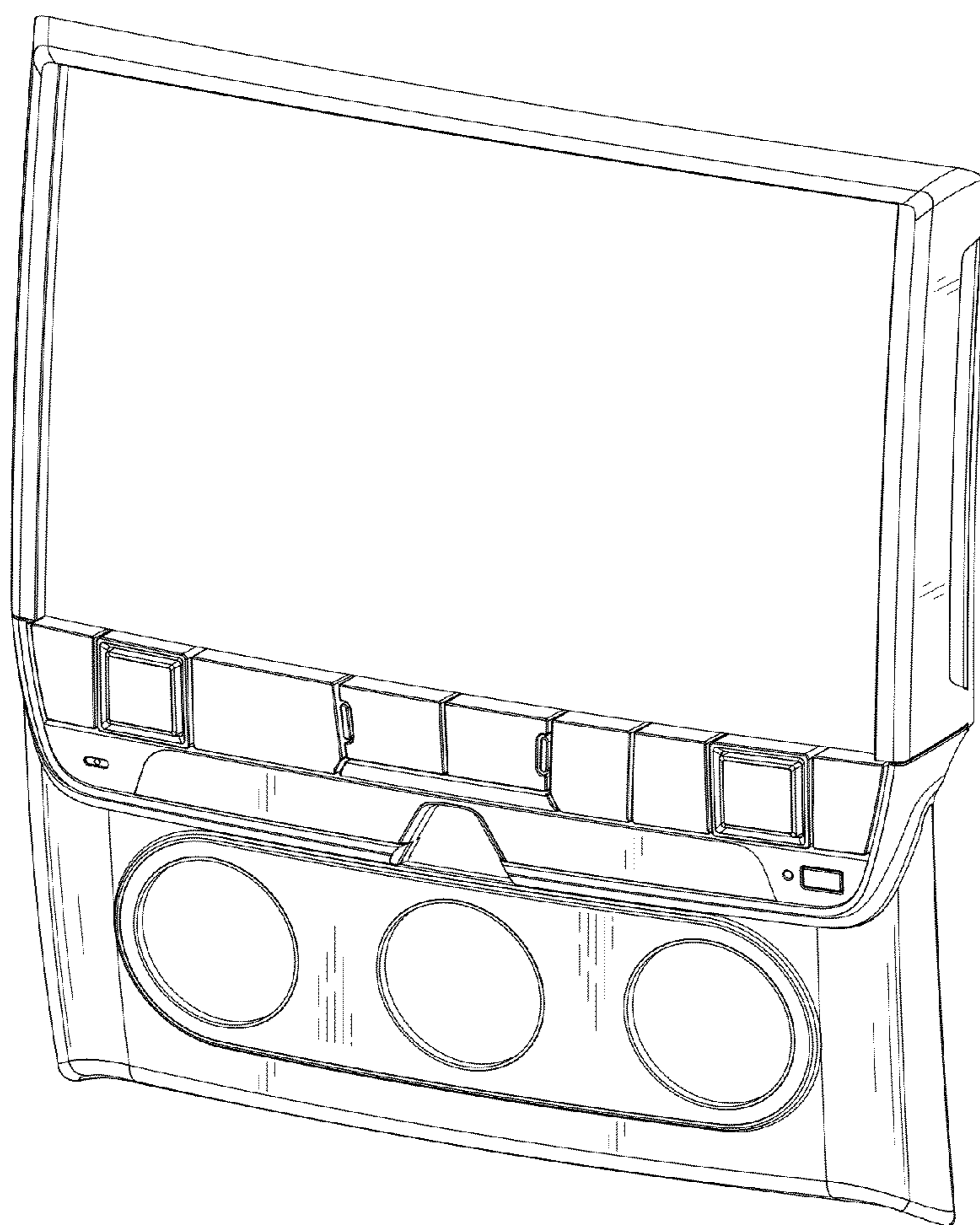
**DESCRIPTION**

FIG. 1 is a perspective view of an installation panel for vehicle showing the new design;  
FIG. 2 is a front view thereof;  
FIG. 3 is a rear view thereof;  
FIG. 4 is a left-side view thereof;  
FIG. 5 is a right-side view thereof;  
FIG. 6 is a top view thereof; and,  
FIG. 7 is a bottom view thereof.  
In the drawings, the broken lines depict portions of the article that form no part of the claimed design.

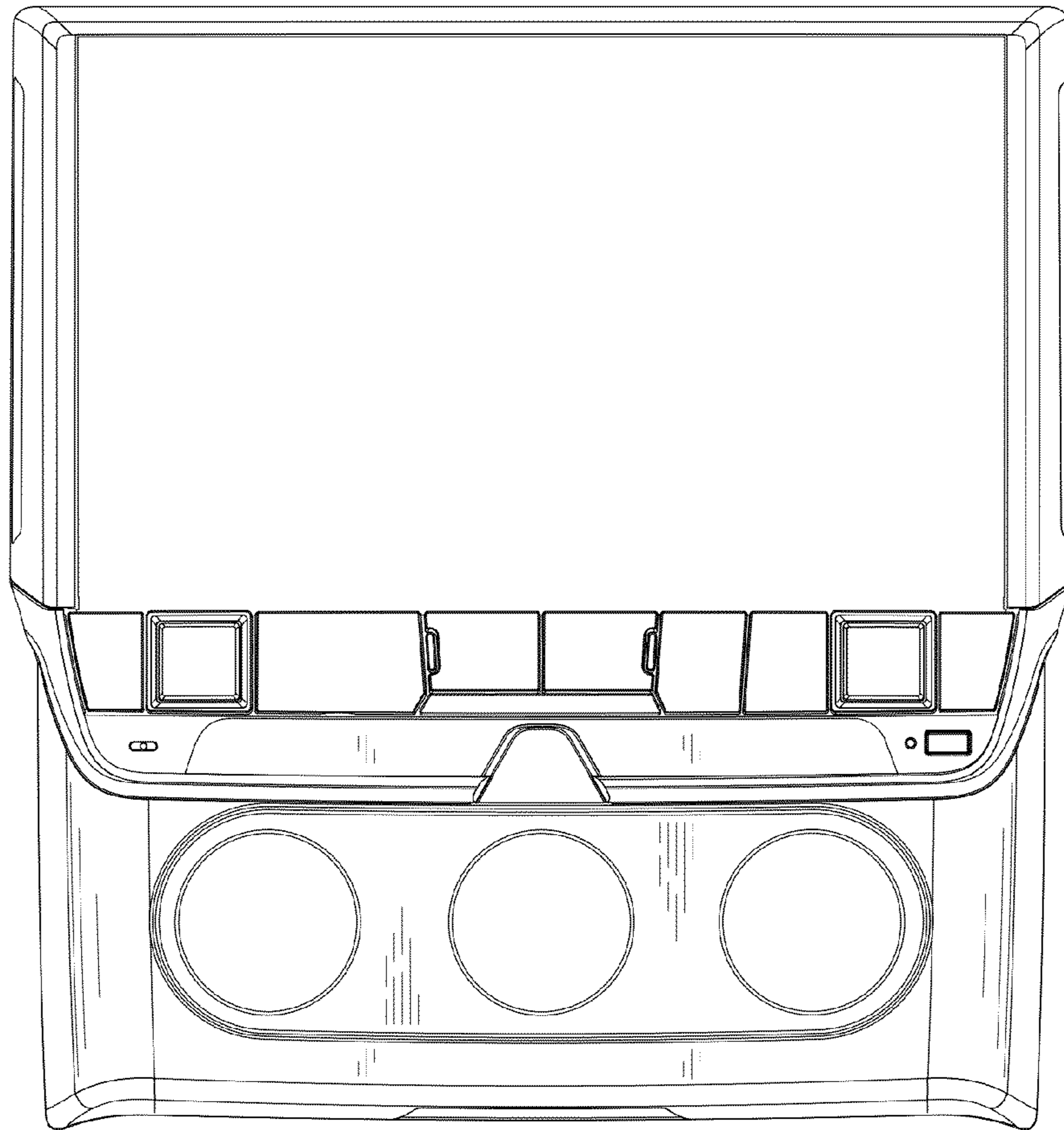
**1 Claim, 5 Drawing Sheets**

- (56) **References Cited**  
U.S. PATENT DOCUMENTS  
D412,896 S \* 8/1999 Attwood ..... D13/177  
D427,155 S \* 6/2000 Pawley ..... D10/103  
D519,995 S \* 5/2006 Quilling, II ..... D12/415

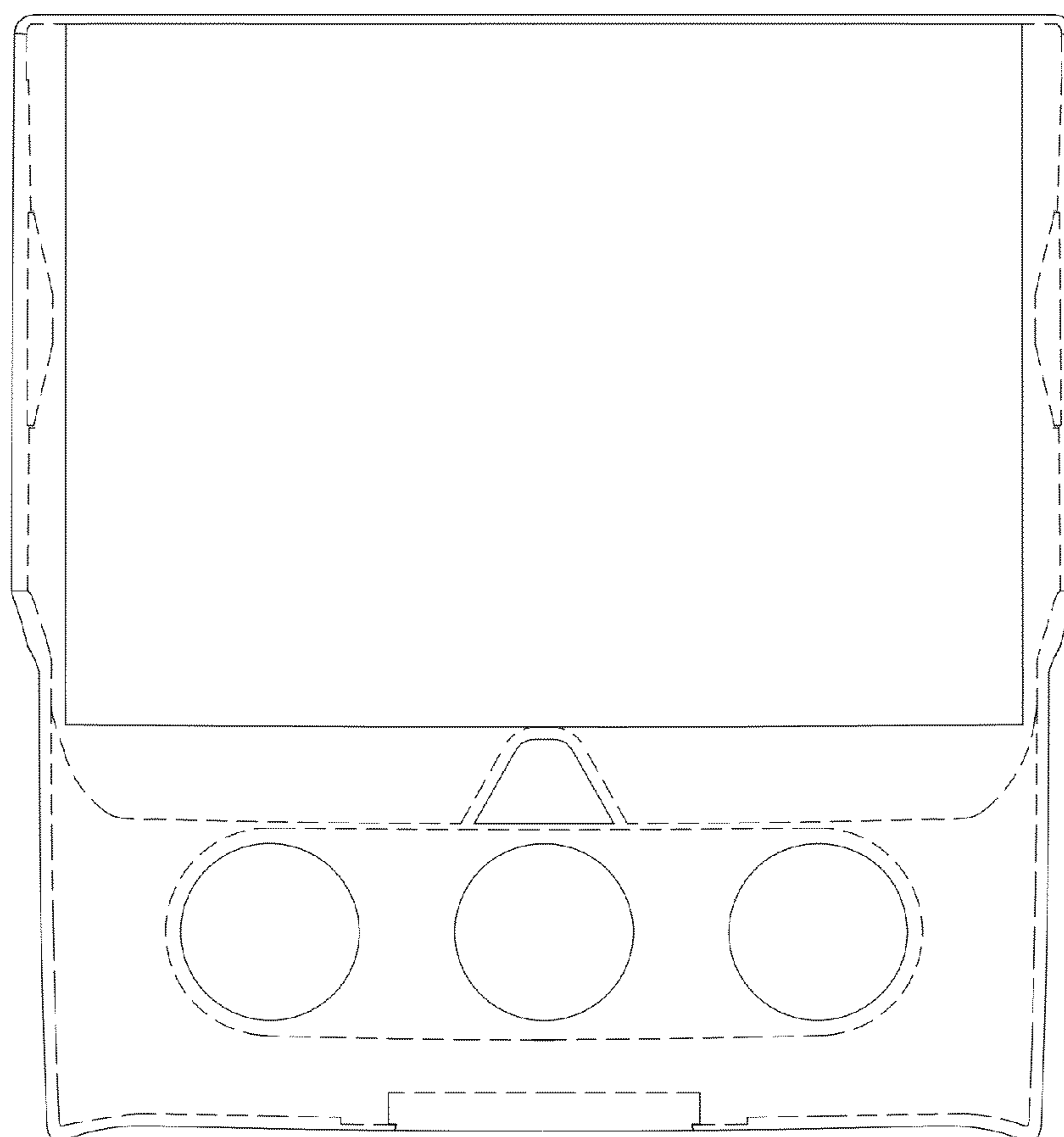




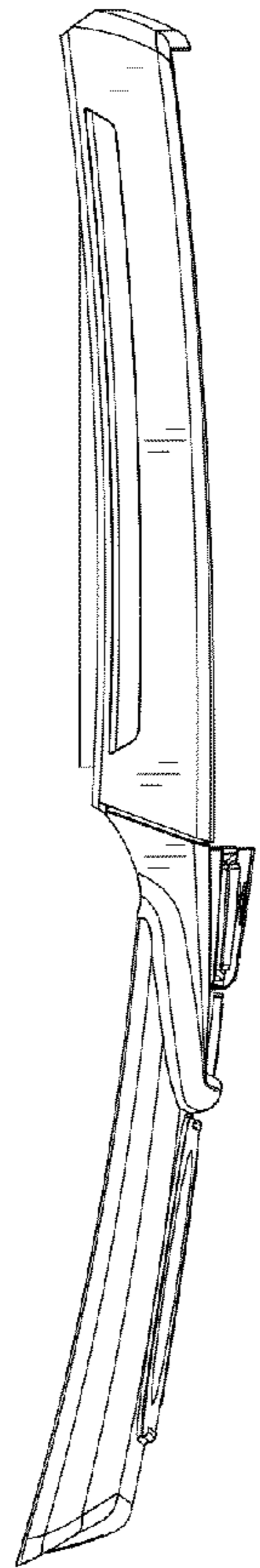
*FIG. 1*



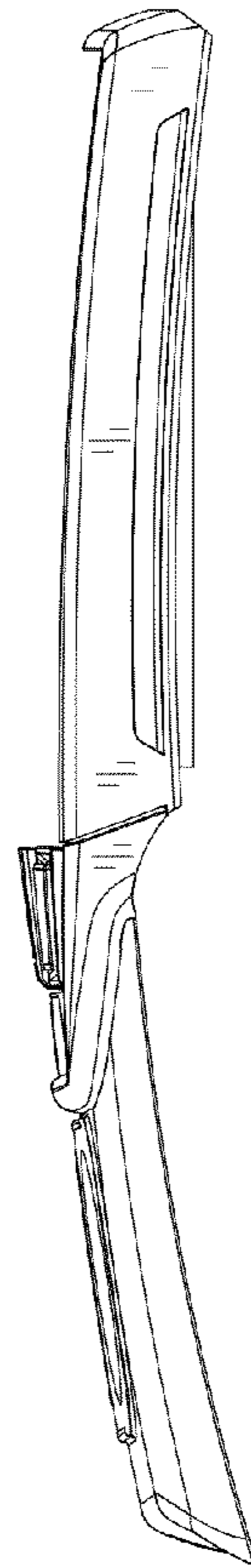
*FIG. 2*



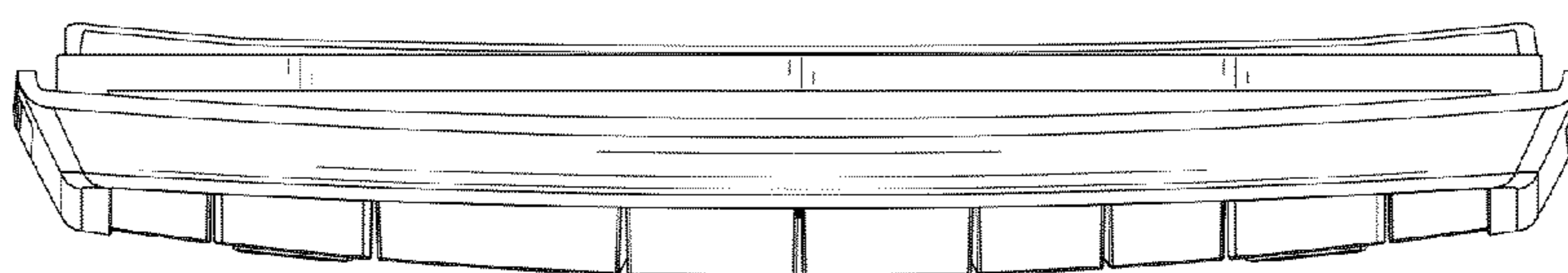
*FIG. 3*



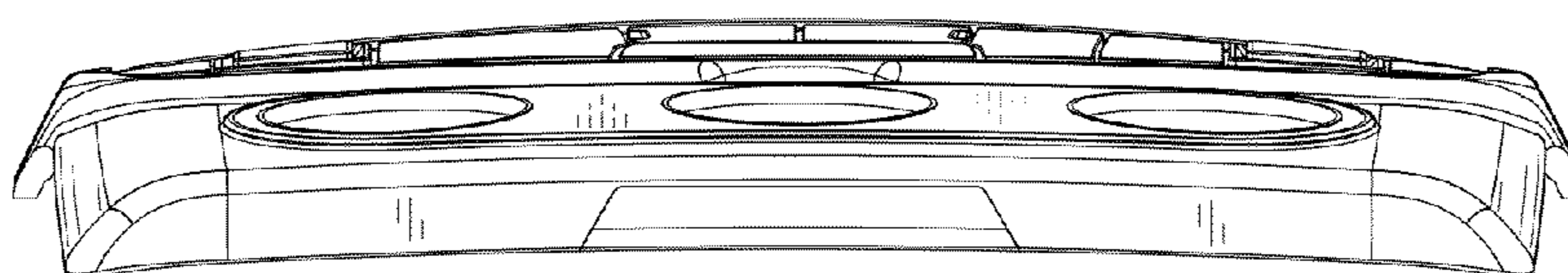
*FIG. 4*



*FIG. 5*



*FIG. 6*



*FIG. 7*