



US00D758264S

(12) **United States Design Patent**
Sethapun et al.

(10) **Patent No.:** **US D758,264 S**
(45) **Date of Patent:** **** Jun. 7, 2016**

(54) **WINDOW SHADE SWITCH FOR AIRCRAFT**

(71) Applicant: **Gulfstream Aerospace Corporation,**
Savannah, GA (US)

(72) Inventors: **Kevin Sethapun,** Savannah, GA (US);
Andrew Fulford, Northville, MI (US);
Aram Kasparian, Savannah, GA (US)

(73) Assignee: **Gulfstream Aerospace Corporation,**
Savannah, GA (US)

(**) Term: **14 Years**

(21) Appl. No.: **29/506,223**

(22) Filed: **Oct. 14, 2014**

(51) **LOC (10) Cl.** **12-16**

(52) **U.S. Cl.**
USPC **D12/192**

(58) **Field of Classification Search**
USPC D12/192, 415, 110, 114; D15/17, 28;
D10/46, 98, 102-103, 122-127
CPC ... G08G 1/096883; G01C 21/16; G01C 21/30
See application file for complete search history.

(56) **References Cited**

U.S. PATENT DOCUMENTS

D427,925 S * 7/2000 Braun D10/103
D514,994 S * 2/2006 Day D12/192

D524,207 S * 7/2006 Seidel D12/192
D534,628 S * 1/2007 Chisenhall D12/192
D541,200 S * 4/2007 Seidel D12/192
D549,627 S * 8/2007 Esaki D12/192
D678,153 S * 3/2013 Amante D12/192
D727,814 S * 4/2015 Paulke D12/192

* cited by examiner

Primary Examiner — Katrina A Betton

(74) *Attorney, Agent, or Firm* — Ingrassia, Fisher & Lorenz
PC

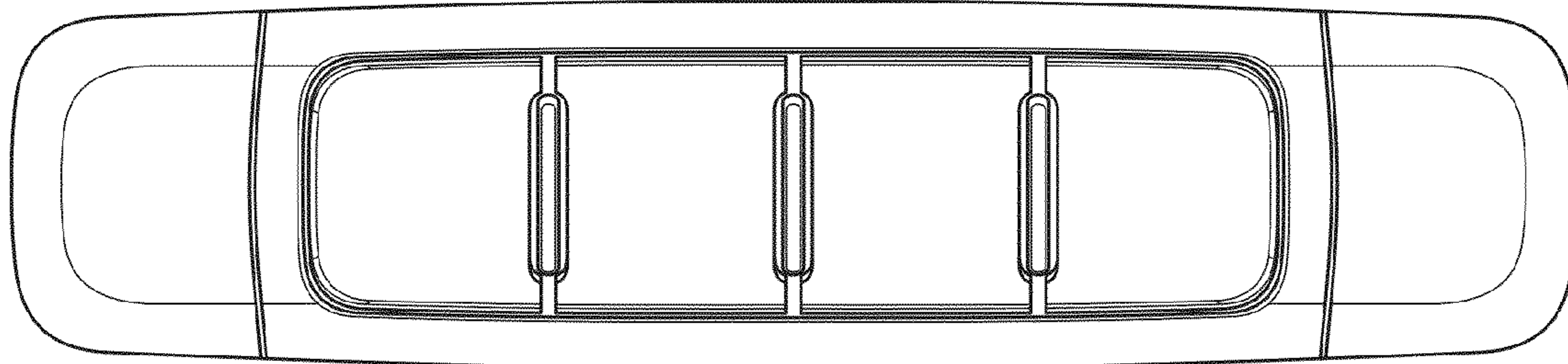
(57) **CLAIM**

The ornamental design for a window shade switch for aircraft, as shown and described.

DESCRIPTION

FIG. 1 is a front perspective view of a window shade switch for aircraft;
FIG. 2 is an enlarged front perspective view of the window shade switch;
FIG. 3 is a front view of the window shade switch;
FIG. 4 is a bottom view of the window shade switch, to which a top view is identical and not illustrated; and,
FIG. 5 is a first side view of the window shade switch, to which a second side view is identical and not illustrated.
The broken lines illustrate structures that form no part of the claimed design.

1 Claim, 3 Drawing Sheets



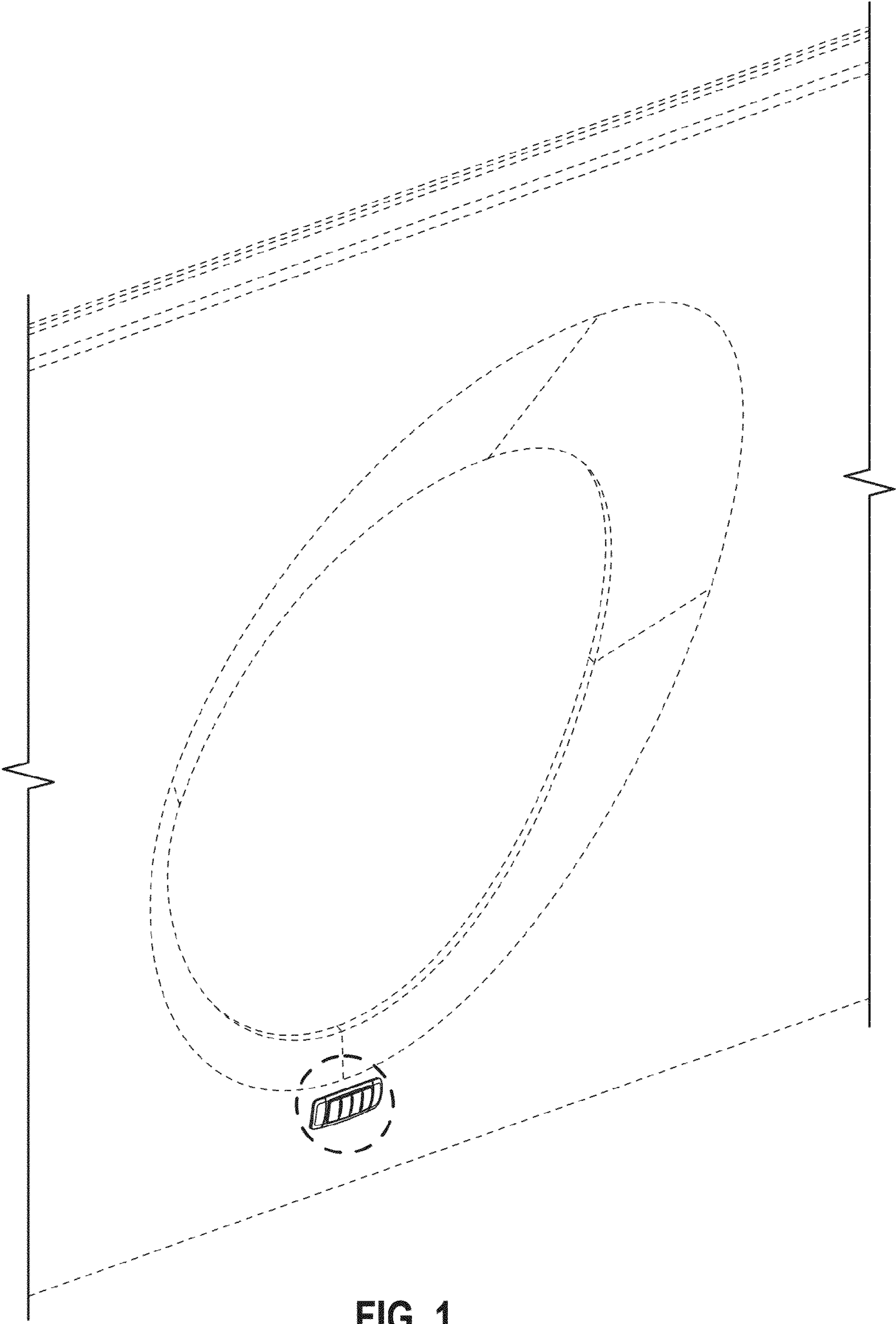


FIG. 1

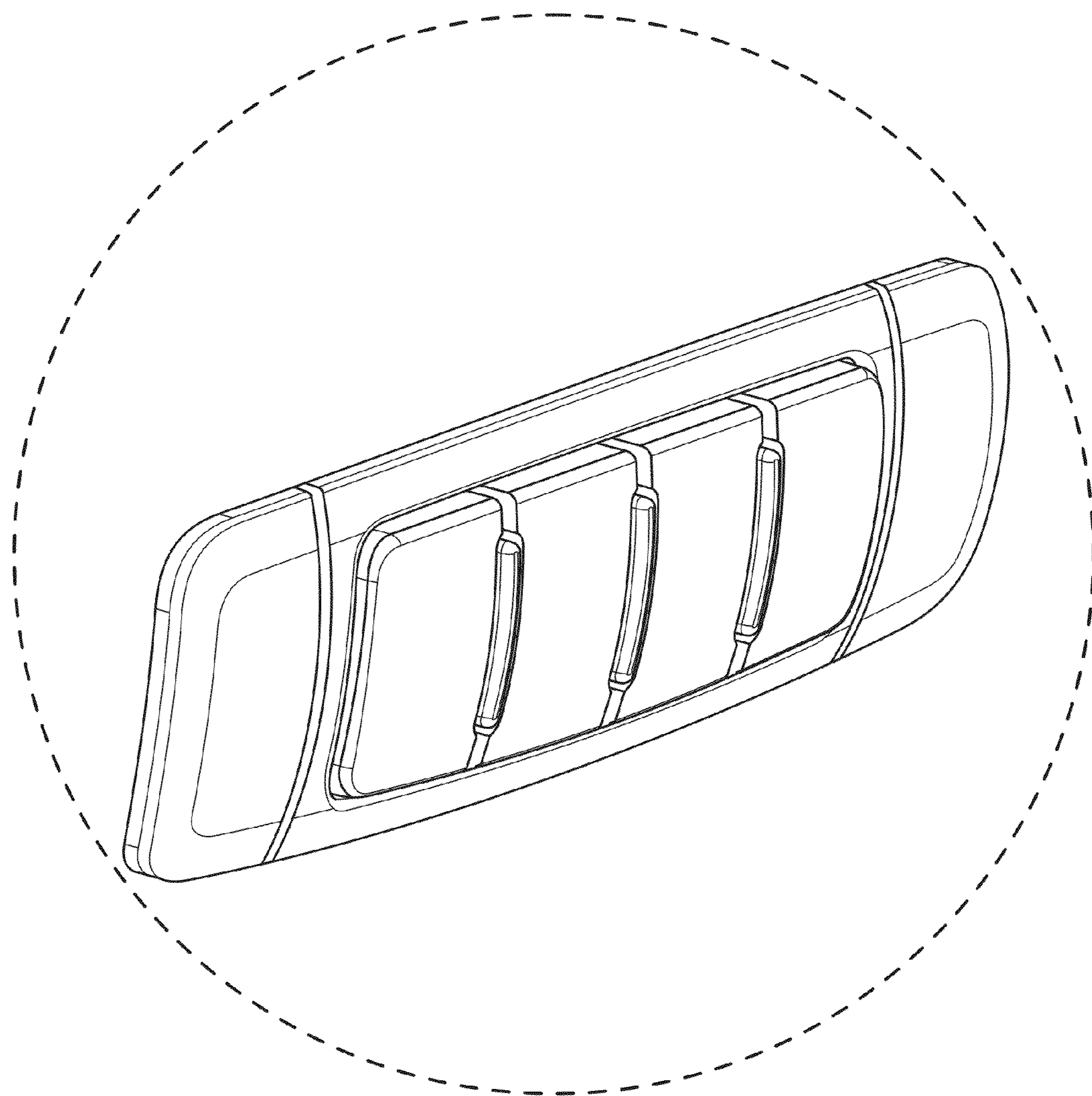


FIG. 2

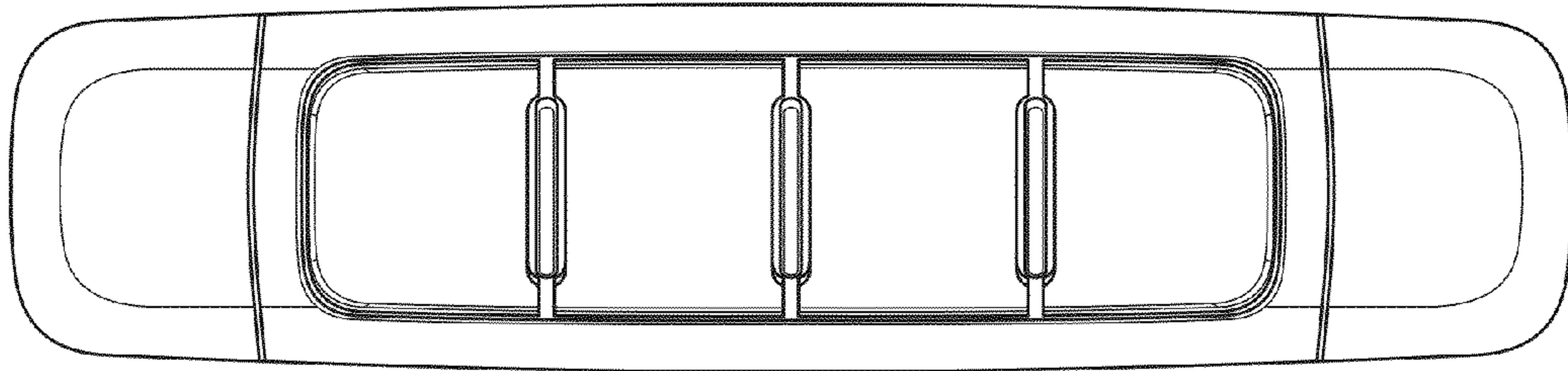


FIG. 3

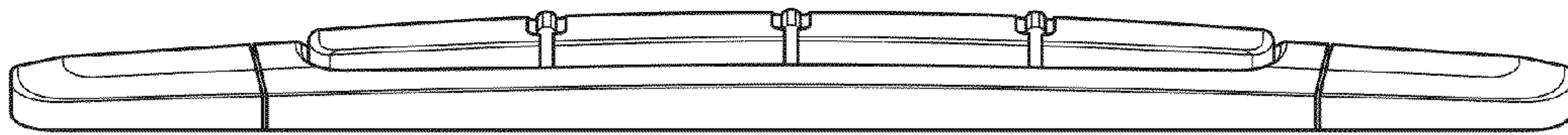


FIG. 4



FIG. 5