



US00D758263S

(12) **United States Design Patent**
Gee

(10) **Patent No.:** **US D758,263 S**
(45) **Date of Patent:** **** Jun. 7, 2016**

(54) **LONG DIAMOND SHAPED TRAILING FENDER**

D597,456 S * 8/2009 Kosaka D12/181
D683,678 S * 6/2013 Willard D12/181
D710,772 S * 8/2014 Maiorana D12/181
D727,810 S * 4/2015 Beaven D12/181
D743,862 S * 11/2015 Hodges D12/181

(71) Applicant: **John Alden Gee**, Eagle Mountain, UT (US)

* cited by examiner

(72) Inventor: **John Alden Gee**, Eagle Mountain, UT (US)

Primary Examiner — Katrina A Betton

(**) Term: **15 Years**

(57) **CLAIM**

The ornamental design for a long diamond shaped trailing fender, as shown and described.

(21) Appl. No.: **29/528,278**

DESCRIPTION

(22) Filed: **May 27, 2015**

(51) **LOC (10) Cl.** **12-08**

(52) **U.S. Cl.**
USPC **D12/181**

(58) **Field of Classification Search**
USPC D12/181, 191, 196, 400, 190, 88
CPC B60R 13/04; B60R 13/02
See application file for complete search history.

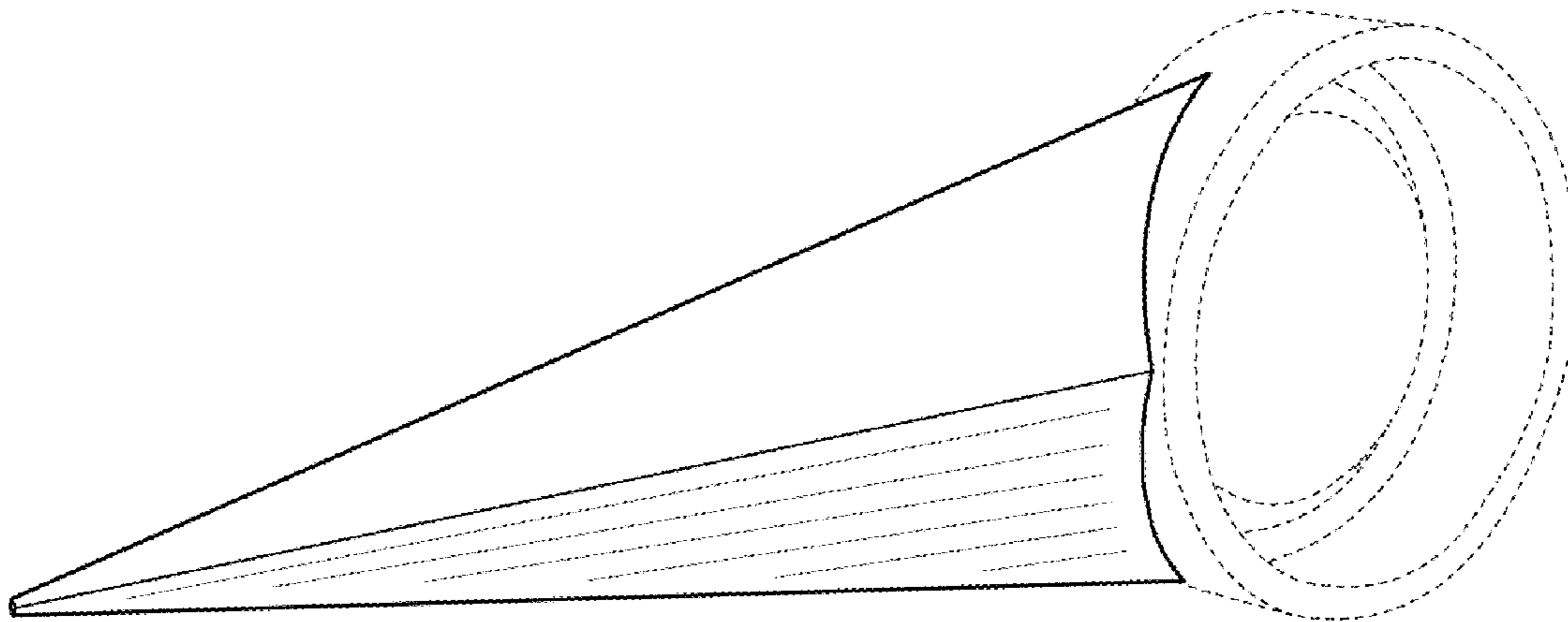
FIG. 1 is a front perspective view showing my new design;
FIG. 2 is a rear perspective view thereof;
FIG. 3 is a left side elevational view showing my new design, the right side being a mirror image;
FIG. 4 is a top side elevational view thereof;
FIG. 5 is a bottom side elevational view thereof;
FIG. 6 is a front elevational view thereof;
FIG. 7 is a rear elevational view thereof;
FIG. 8 is a front perspective view shown in relation to a mounting block. The mounting block is shown in broken lines and forms no part of the claimed design; and,
FIG. 9 is a back perspective view shown in relation to a wheel. The wheel is shown in broken lines and forms no part of the claimed design.

(56) **References Cited**

U.S. PATENT DOCUMENTS

D169,459 S * 4/1953 Semensohn D11/74
D261,448 S * 10/1981 Liebscher D11/81
D400,837 S * 11/1998 Pitts D12/181
D562,745 S * 2/2008 Schowalter D12/179
D570,945 S * 6/2008 Stagnaro D21/778

1 Claim, 3 Drawing Sheets



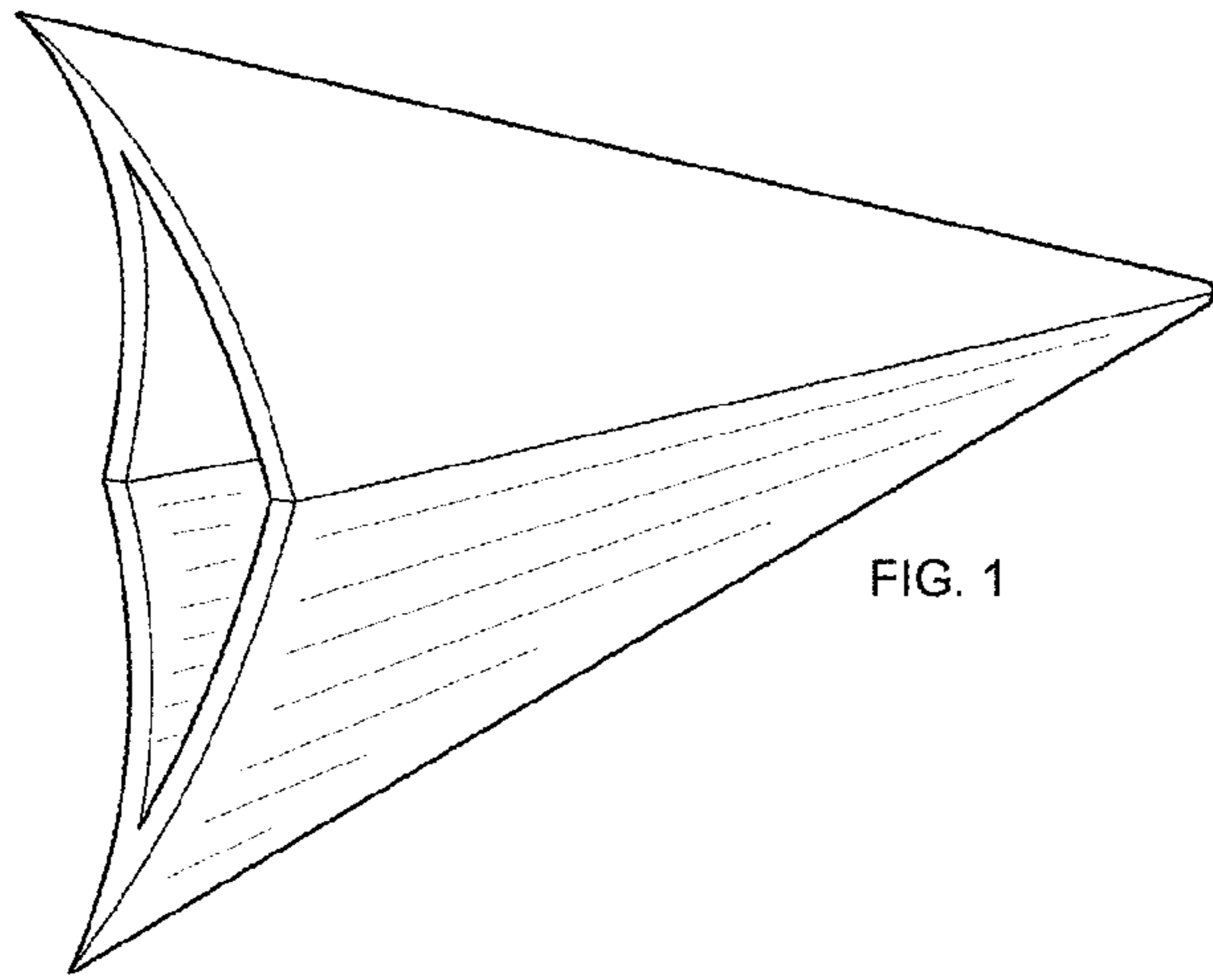


FIG. 1

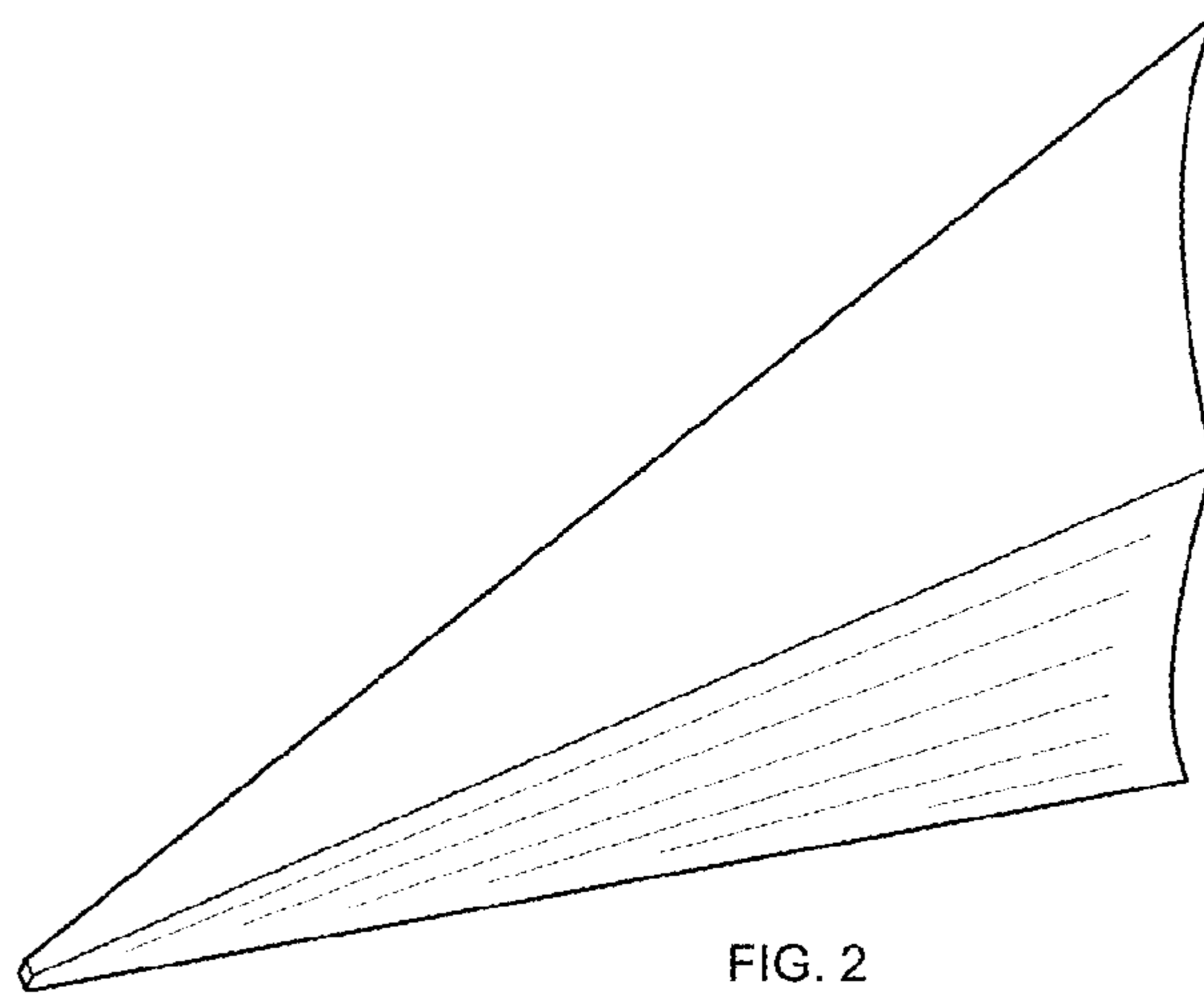


FIG. 2

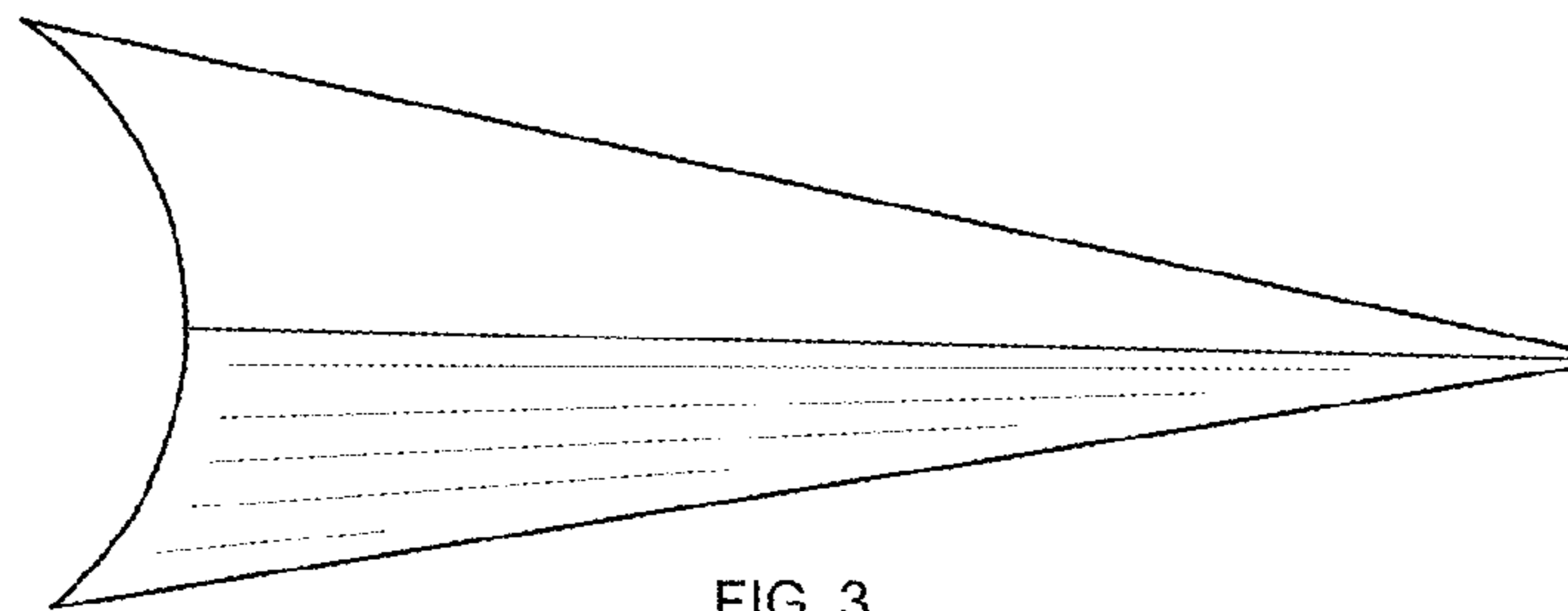


FIG. 3

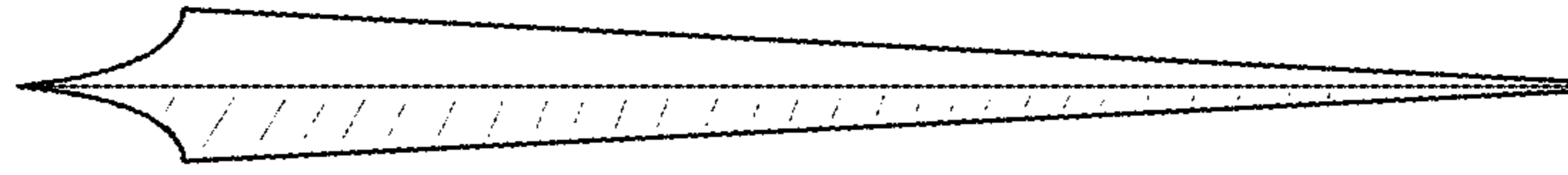


FIG. 4

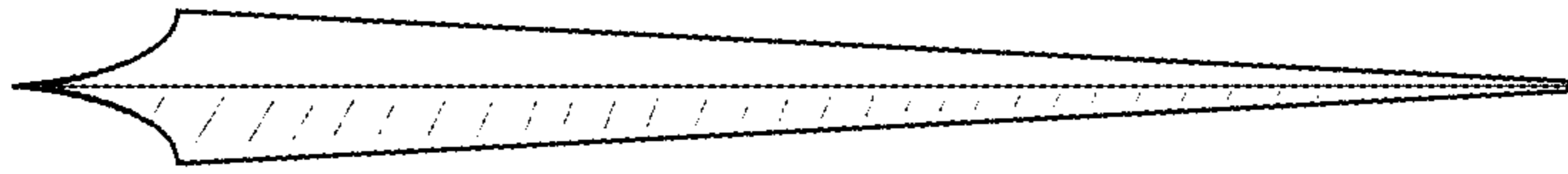


FIG. 5

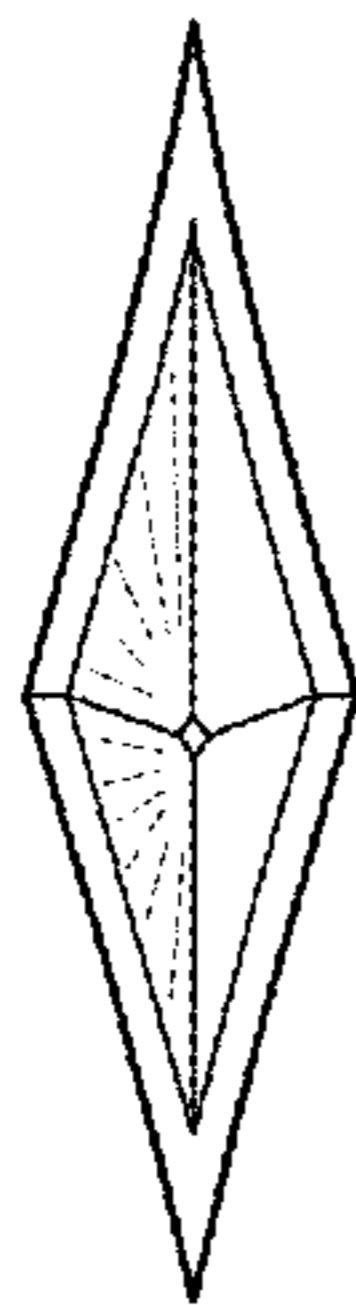


FIG. 6

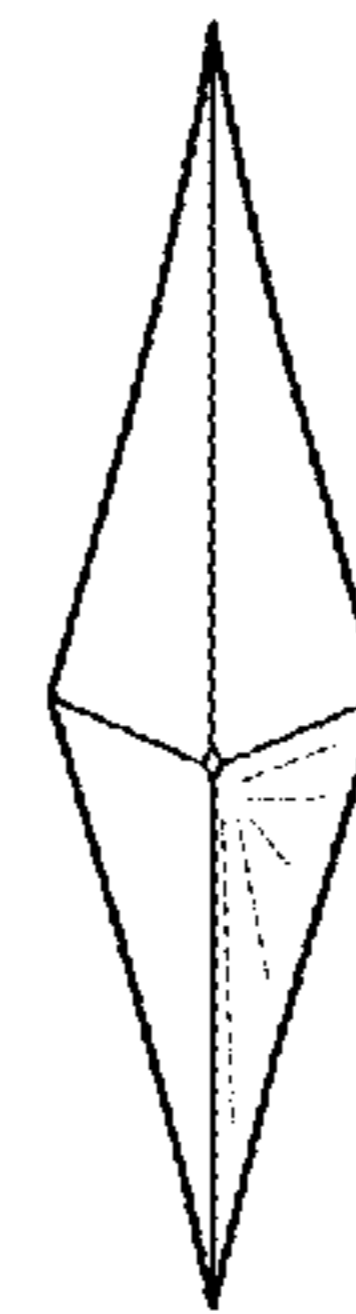


FIG. 7

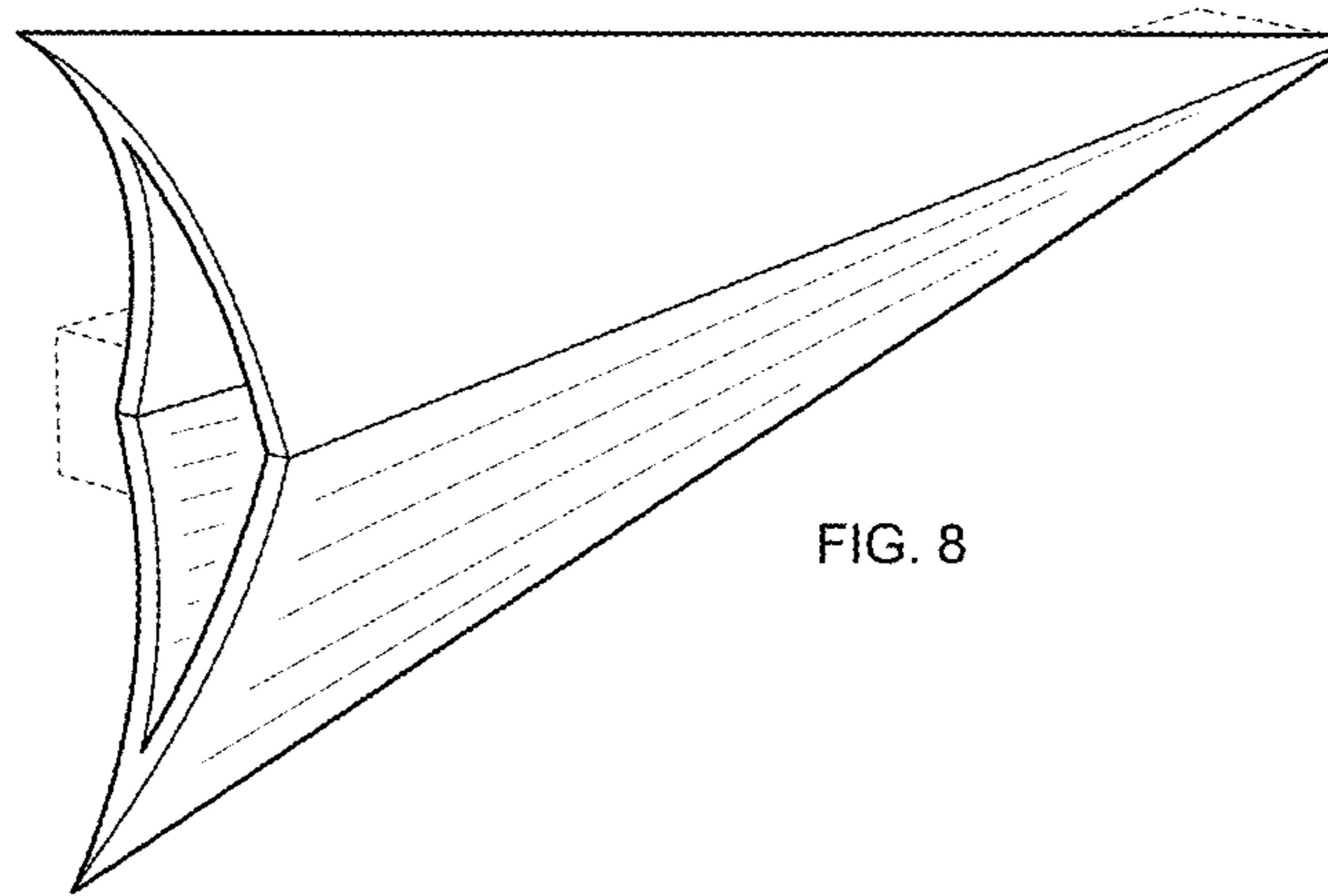


FIG. 8

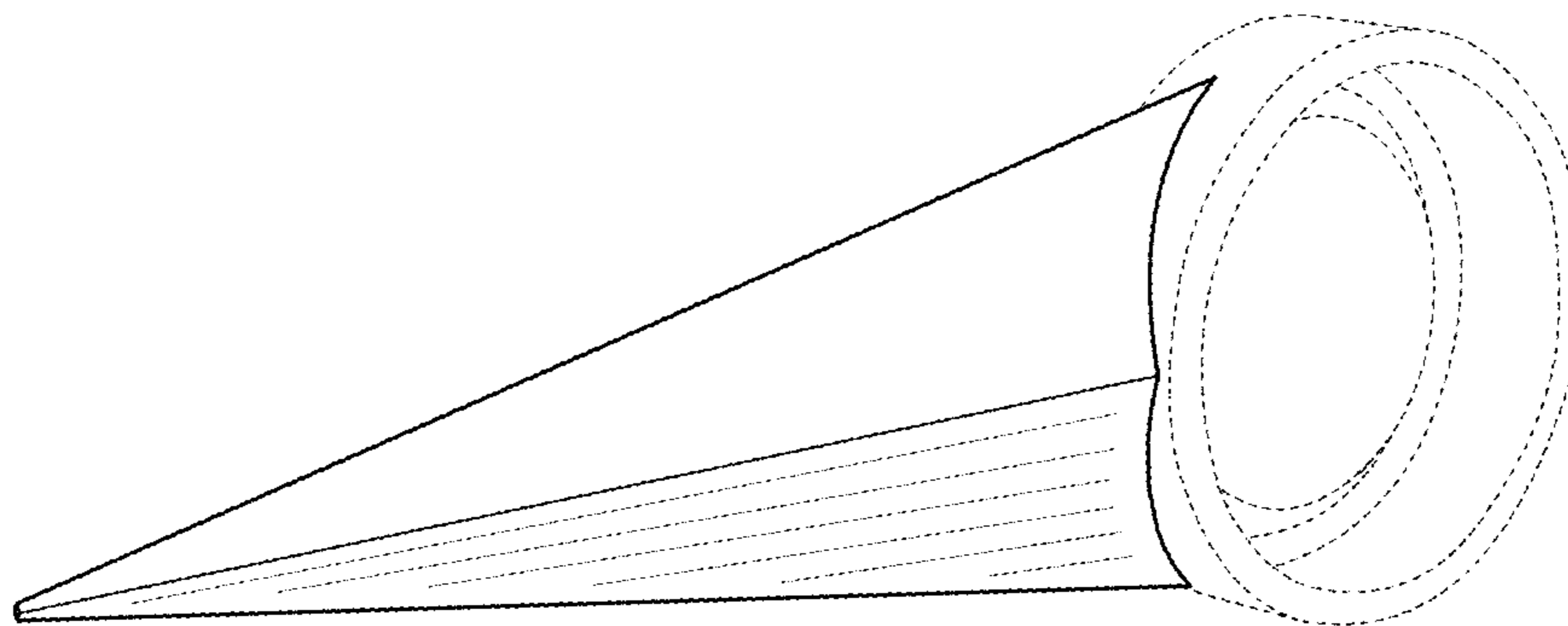


FIG. 9