



US00D758262S

(12) **United States Design Patent**
Rigolio

(10) **Patent No.:** **US D758,262 S**
(45) **Date of Patent:** **** Jun. 7, 2016**

(54) **MOTORCYCLE HANDLEBAR CAP**

(56) **References Cited**

(71) Applicant: **Fabrizio Rigolio**, Lonate Pozzolo VA (IT)

U.S. PATENT DOCUMENTS

(72) Inventor: **Fabrizio Rigolio**, Lonate Pozzolo VA (IT)

D278,593	S	*	4/1985	MacGregor	D8/83
4,623,954	A	*	11/1986	Schott et al.	362/474
D314,700	S	*	2/1991	Lurkis	D8/303
D318,412	S	*	7/1991	Williams	D8/356
D398,960	S	*	9/1998	Lord	D23/249
D403,748	S	*	1/1999	Lord	D23/238
D404,469	S	*	1/1999	Lord	D23/238
D404,801	S	*	1/1999	Lord	D23/238
D412,306	S	*	7/1999	Berto	D12/178
6,308,590	B1	*	10/2001	Berto	74/551.8
6,434,793	B1	*	8/2002	Ensson	16/421
D593,462	S	*	6/2009	Mentis	D12/178
D593,463	S	*	6/2009	Mentis	D12/178

(73) Assignee: **Rizoma IP S.r.l.**, Lonate Pozzolo VA (IT)

(**) Term: **14 Years**

(21) Appl. No.: **29/490,895**

* cited by examiner

(22) Filed: **May 15, 2014**

Primary Examiner — Philip S Hyder

(30) **Foreign Application Priority Data**

Assistant Examiner — Darlington Ly

Nov. 15, 2013 (EM) 002346619-0001

(74) *Attorney, Agent, or Firm* — Bay State IP, LLC

(51) **LOC (10) Cl.** **12-16**

(57) **CLAIM**

(52) **U.S. Cl.**
USPC **D12/178**

I claim the ornamental design for a motorcycle handlebar cap, as shown and described.

(58) **Field of Classification Search**
USPC D12/111, 114, 178, 204, 213, 400;
D8/303, 307, 310, 352, 353, 367, 373,
D8/376, 378, 397; D9/435, 445, 680;
D14/205, 206, 223; D22/116;
D24/106, 173, 174, 200; D28/87;
180/219; 301/65; 411/374, 429, 430,
411/431, 432, 433, 925; 406/404; D6/550;
D21/386, 387, 388, 389, 390, 726;
D23/154, 238, 250

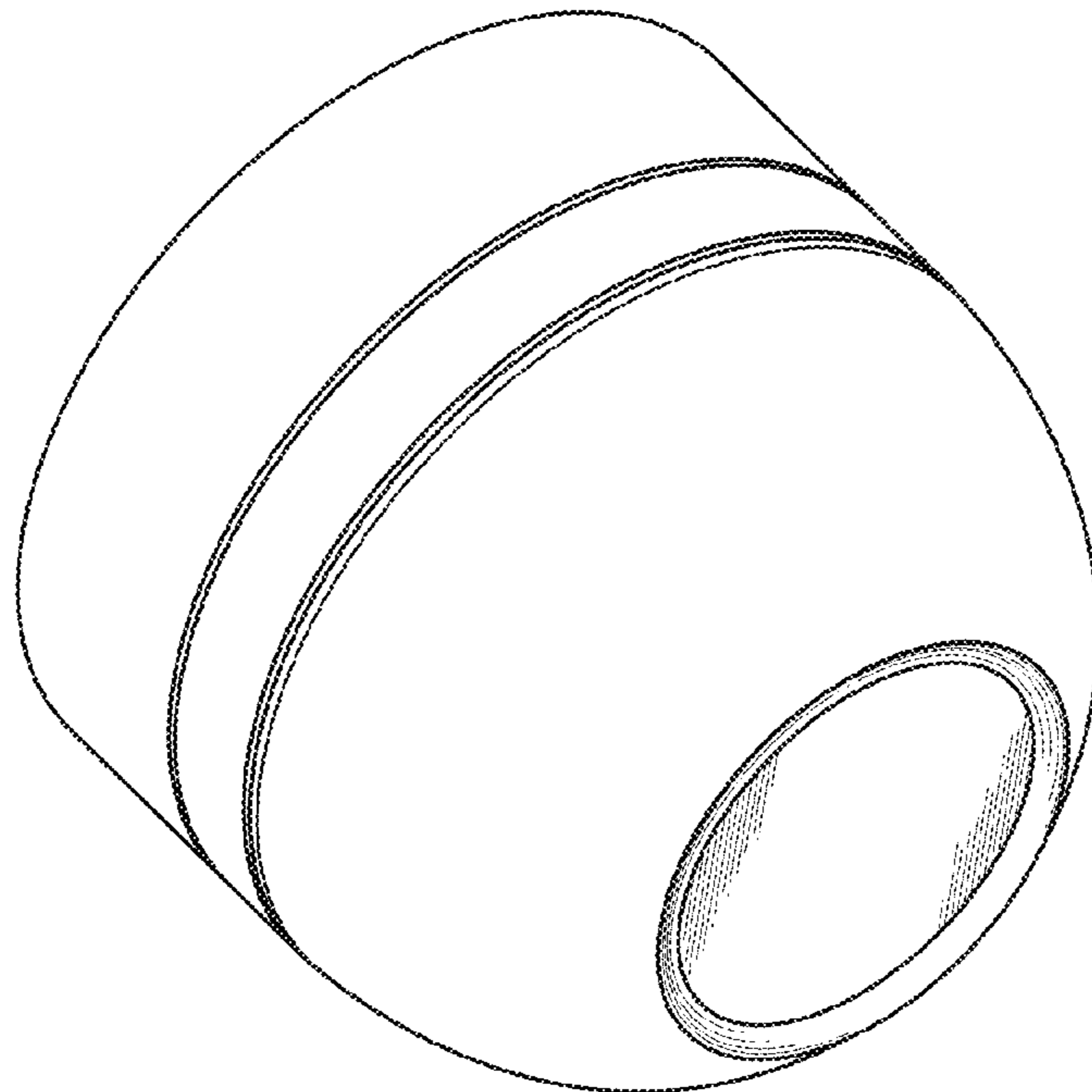
DESCRIPTION

CPC B62K 19/16; B62K 21/12; B62K 21/18;
B62K 21/125; B62K 23/06

FIG. 1 is a side view showing my new design;
FIG. 2 is a front view thereof;
FIG. 3 is a front and side isometric view thereof; and,
FIG. 4 is a rear and side isometric view thereof.
The broken lines in the drawings illustrate portions of the motorcycle handlebar cap that forms no part of the claimed design.

See application file for complete search history.

1 Claim, 2 Drawing Sheets



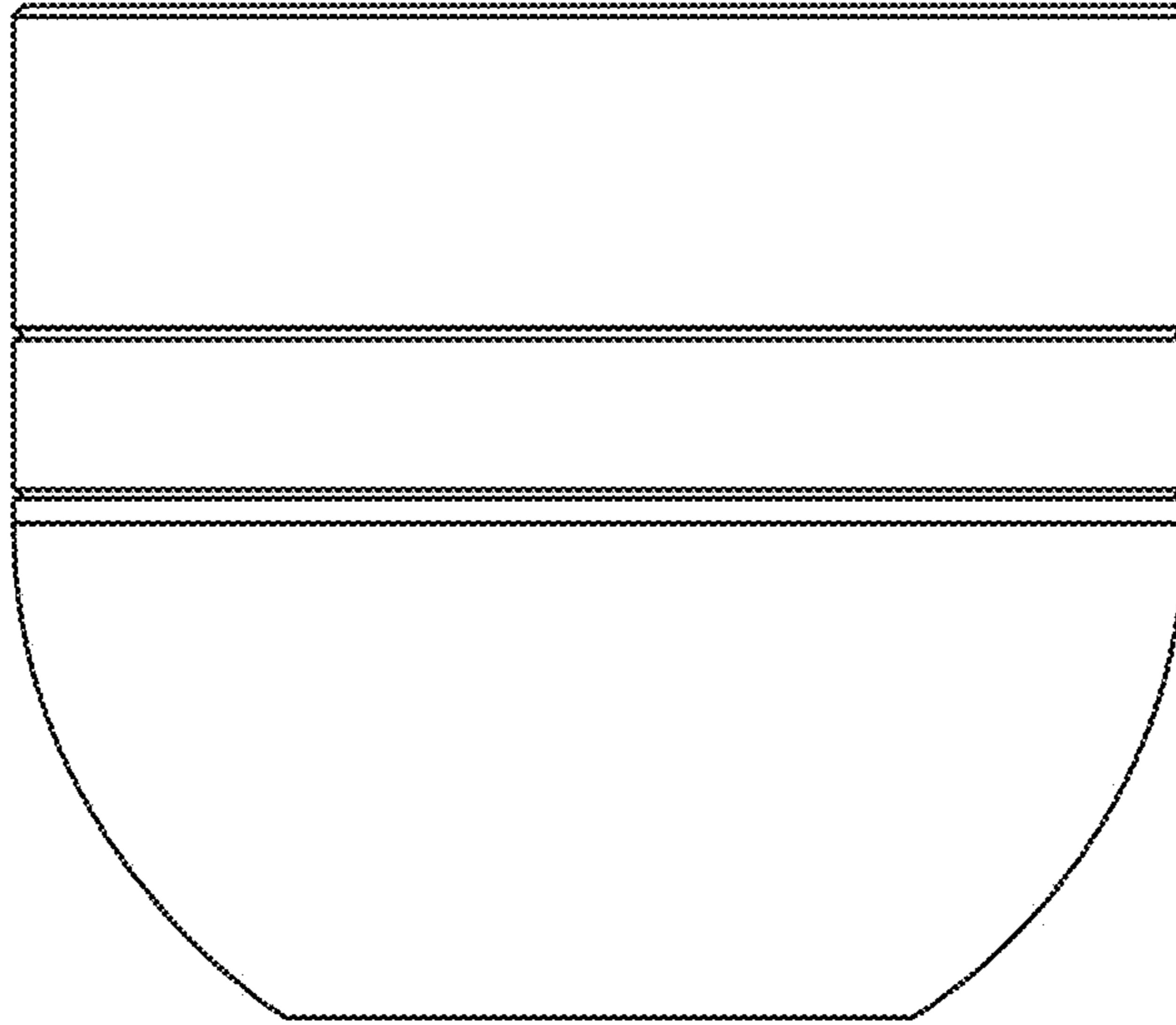


Fig. 1

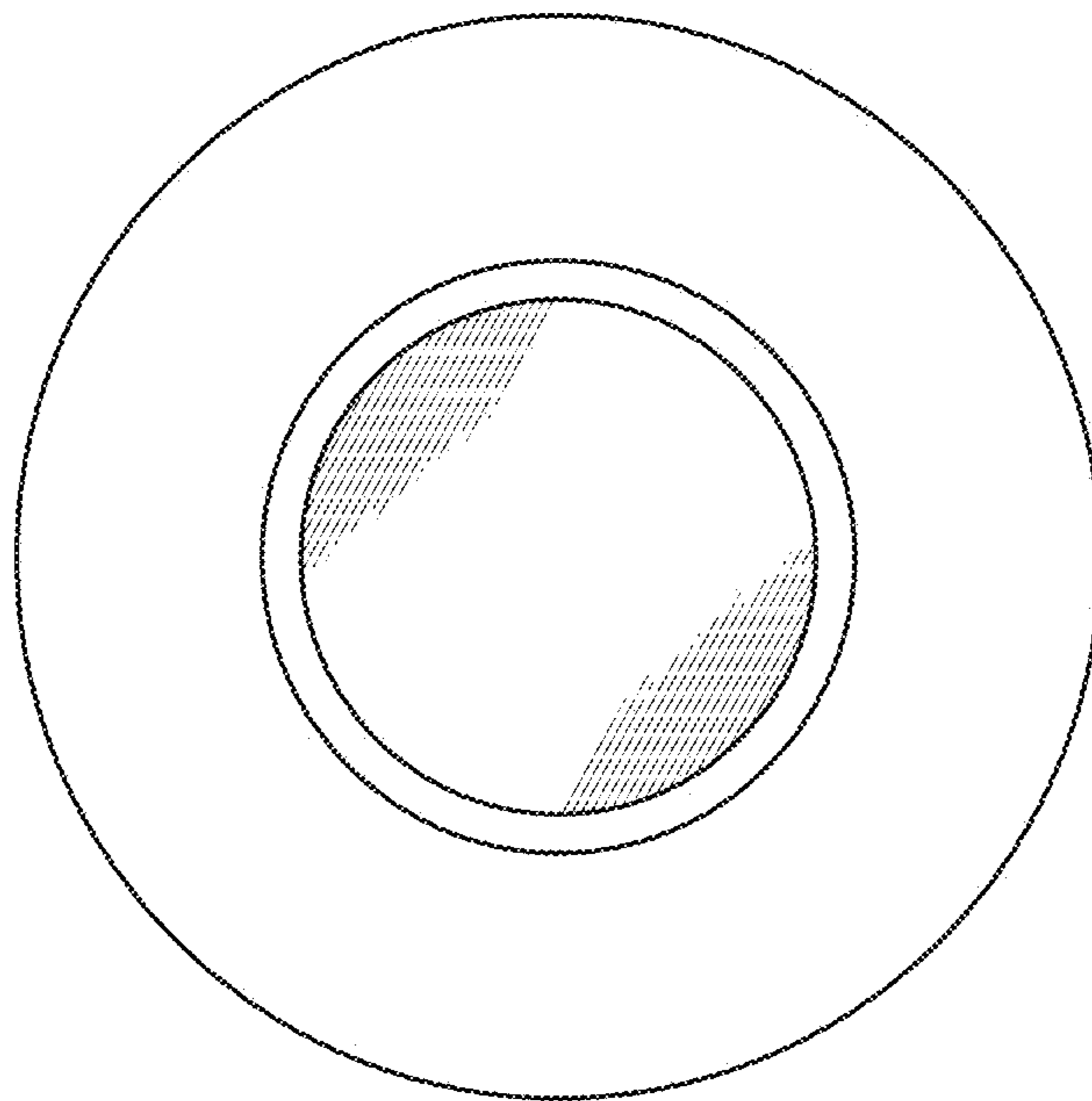


Fig. 2

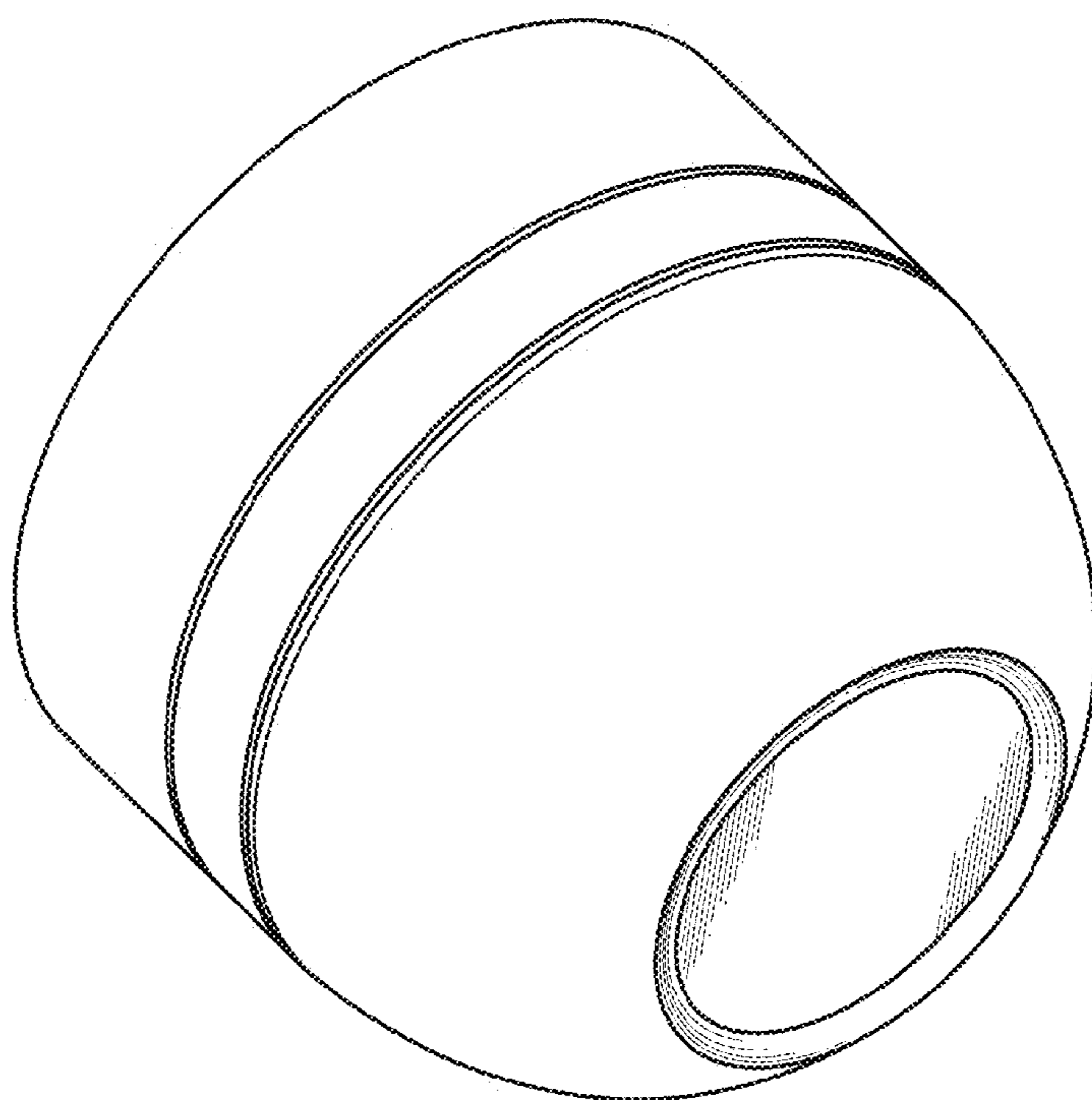


Fig. 3

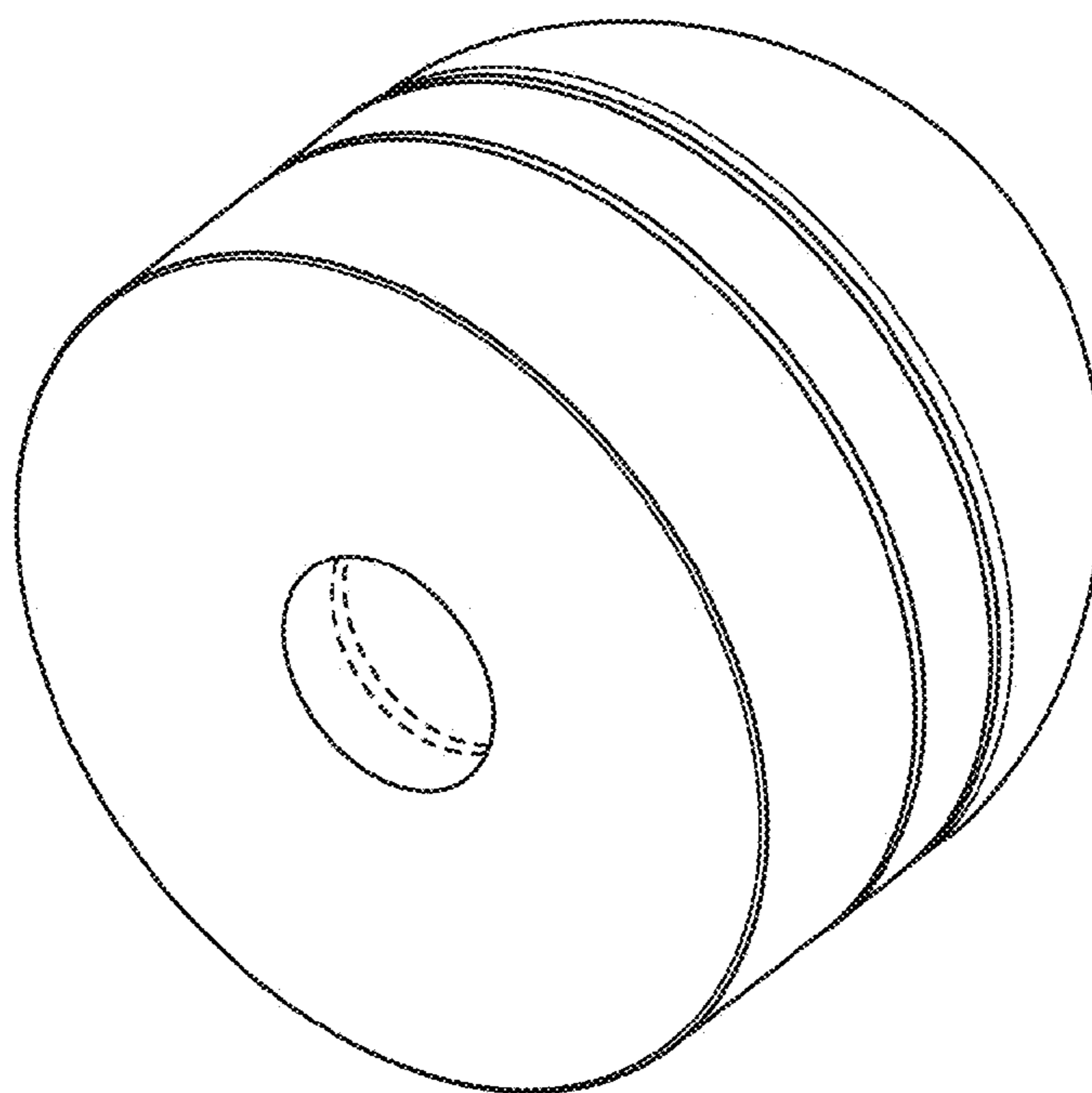


Fig. 4