



US00D758261S

(12) **United States Design Patent**  
**Bell**

(10) **Patent No.:** **US D758,261 S**

(45) **Date of Patent:** **\*\* Jun. 7, 2016**

(54) **VEHICLE STEERING WHEEL HAVING TURN SIGNAL BUTTONS**

(71) Applicant: **John Bell**, Austin Town, OH (US)

(72) Inventor: **John Bell**, Austin Town, OH (US)

(\*\*) Term: **15 Years**

(21) Appl. No.: **29/529,357**

(22) Filed: **Jun. 5, 2015**

(51) **LOC (10) Cl.** ..... **12-16**

(52) **U.S. Cl.**  
USPC ..... **D12/176**

(58) **Field of Classification Search**  
USPC ..... D12/175, 176, 177; D14/401, 414;  
D21/333, 385, 477, 566; 74/552, 558;  
340/475, 476, 477; 434/69, 70; 701/62  
CPC ..... B62D 1/04; G05G 1/10; B60R 16/037;  
B60K 20/06  
See application file for complete search history.

(56) **References Cited**

U.S. PATENT DOCUMENTS

2,793,262	A	5/1957	Albert	
3,937,101	A *	2/1976	Wade	B60N 3/005 74/552
D298,526	S *	11/1988	Green	D12/175
5,469,338	A	11/1995	Sims	
5,823,666	A	10/1998	Kingsolver	
D410,970	S *	6/1999	Larian	D21/329
6,034,600	A	3/2000	Browne et al.	
D424,996	S	5/2000	McShay, Jr.	
6,144,297	A *	11/2000	Donner	B60Q 1/1484 200/61.27
6,817,100	B2 *	11/2004	Mori	G05G 1/10 29/894.1
D647,441	S *	10/2011	Anzi	D12/176
8,198,996	B2	6/2012	Golomb	
2002/0046620	A1 *	4/2002	Mori	G05G 1/10 74/512

2004/0007858	A1 *	1/2004	Simonian	B62D 7/222 280/731
2004/0200310	A1 *	10/2004	Cavalli	B62D 1/11 74/552
2006/0044129	A1 *	3/2006	Patel	B60Q 1/343 340/475
2008/0083297	A1 *	4/2008	Yan	B62D 1/11 74/552
2009/0178509	A1 *	7/2009	Seidl	B62D 1/06 74/558
2012/0096980	A1 *	4/2012	Schramm	B62D 15/025 74/552
2014/0022070	A1 *	1/2014	Golomb	B60Q 1/0082 340/475
2015/0321551	A1 *	11/2015	Hendry	B60K 20/06 701/62
2016/0001698	A1 *	1/2016	Hall	B60Q 1/343 340/475
2016/0031364	A1 *	2/2016	Kerr	B60Q 1/34 340/475

\* cited by examiner

*Primary Examiner* — Rosemary K Tarcza

*Assistant Examiner* — Yolanda Robinson

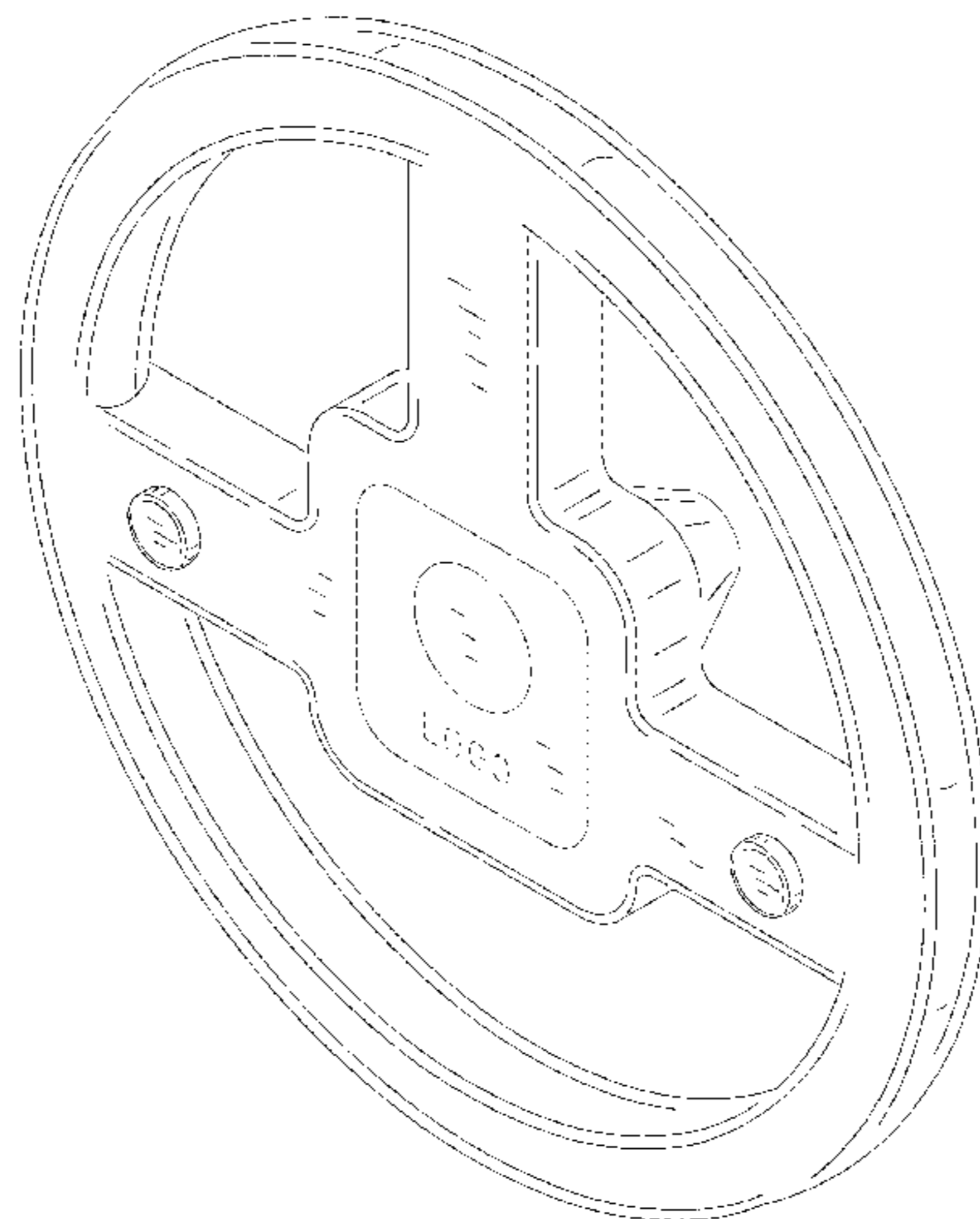
(57) **CLAIM**

The ornamental design for a vehicle steering wheel having turn signal buttons, as shown and described.

**DESCRIPTION**

FIG. 1 is a front view of a vehicle steering wheel having turn signal buttons showing my new design;  
FIG. 2 is a rear view of the vehicle steering wheel having turn signal buttons;  
FIG. 3 is a left side view of the vehicle steering wheel having turn signal buttons, a right side view being a mirror image thereof;  
FIG. 4 is a top view of the vehicle steering wheel having turn signal buttons, a bottom view being a mirror image thereof; and,  
FIG. 5 is a top front side perspective view of the vehicle steering wheel having turn signal buttons.

**1 Claim, 5 Drawing Sheets**



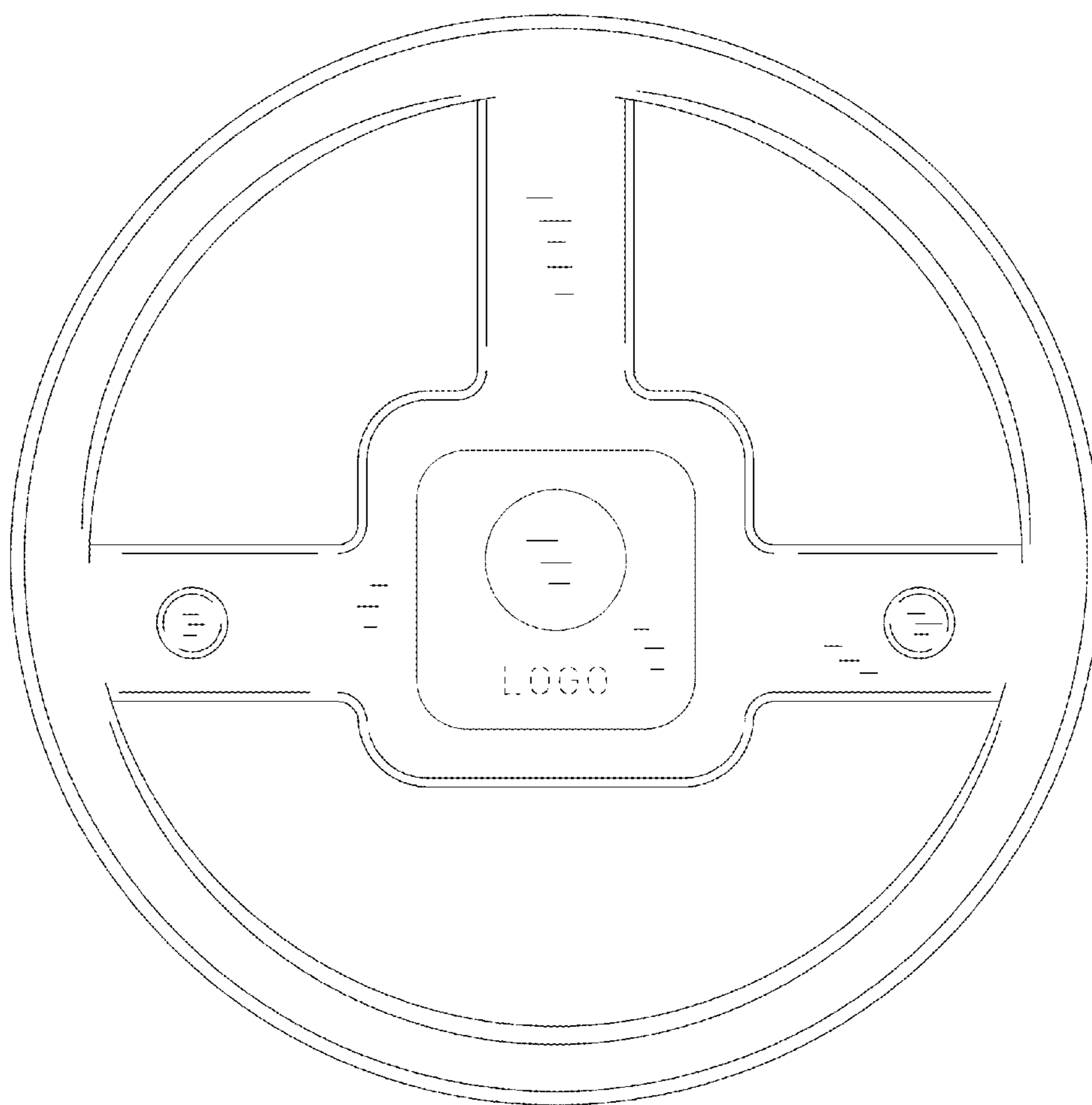


FIG. 1

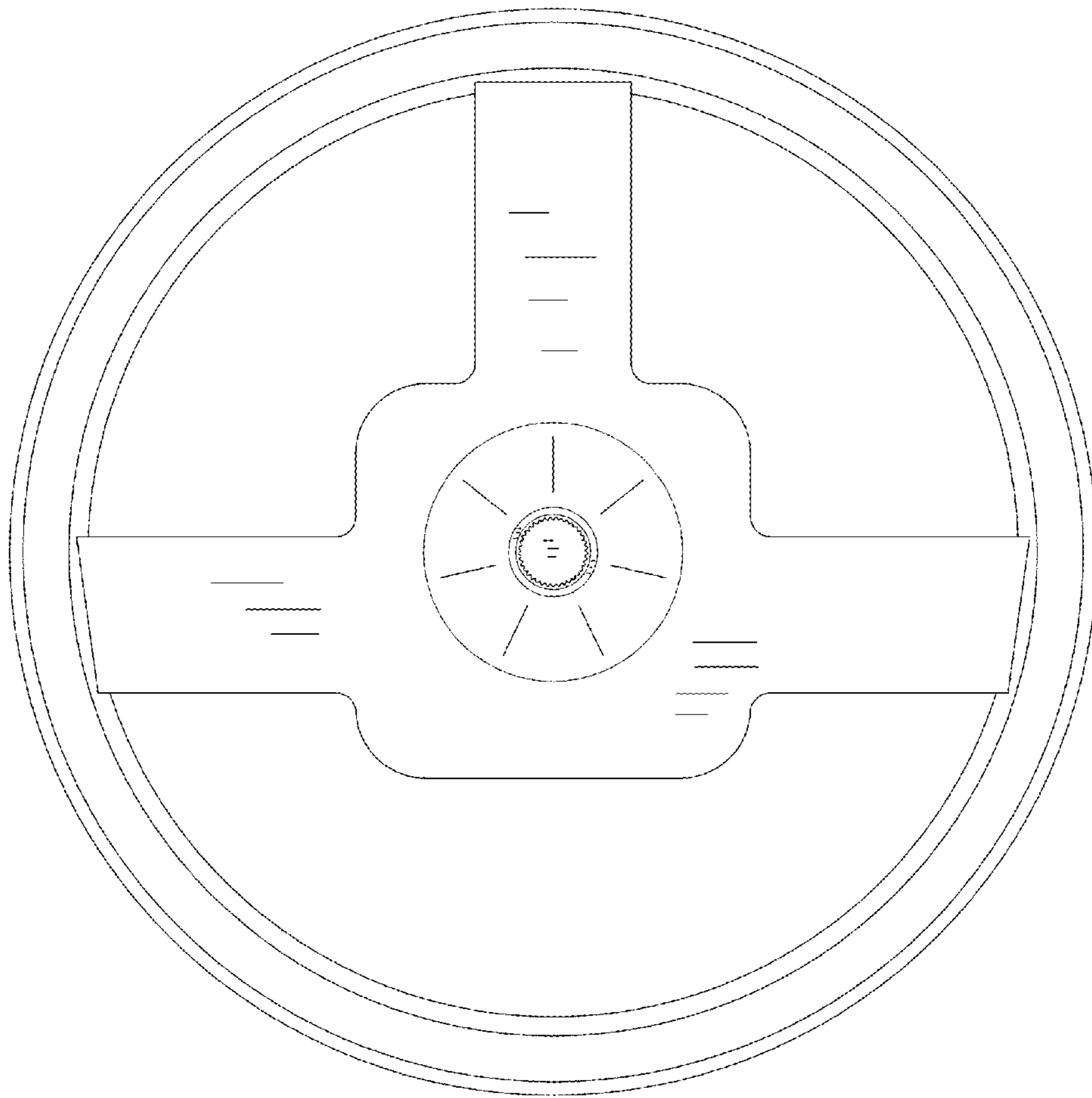


FIG. 2

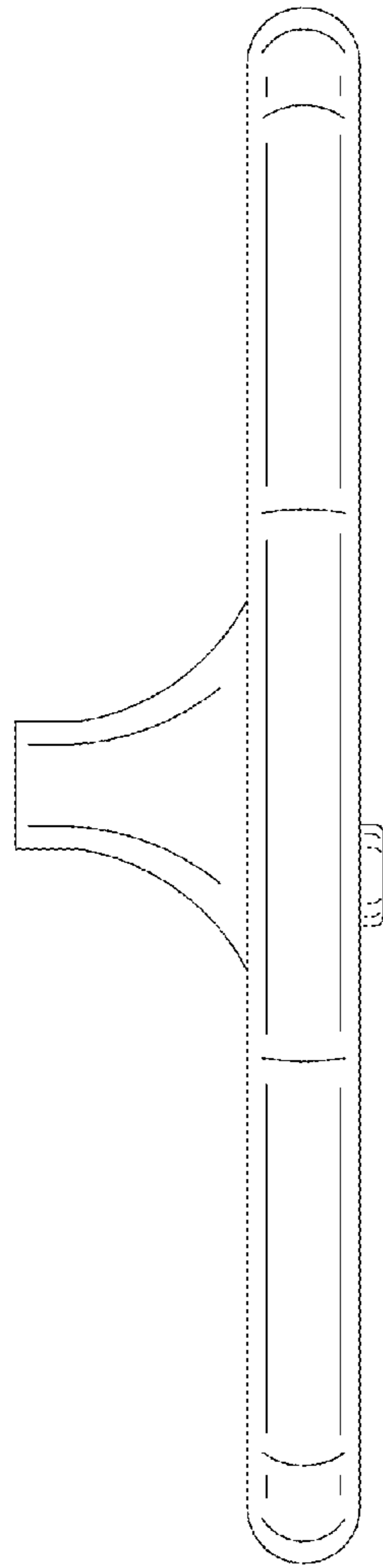


FIG. 3

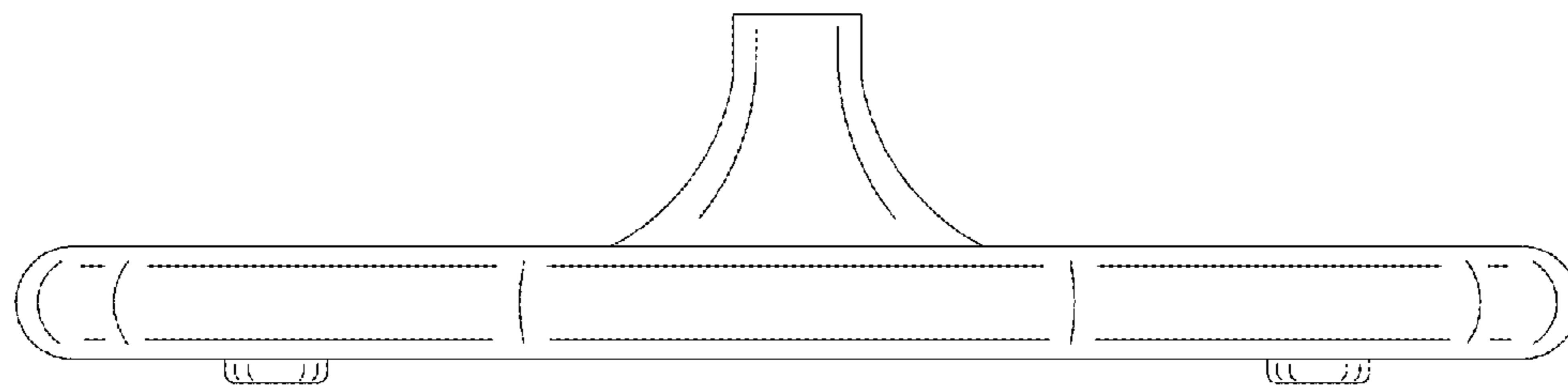


FIG. 4

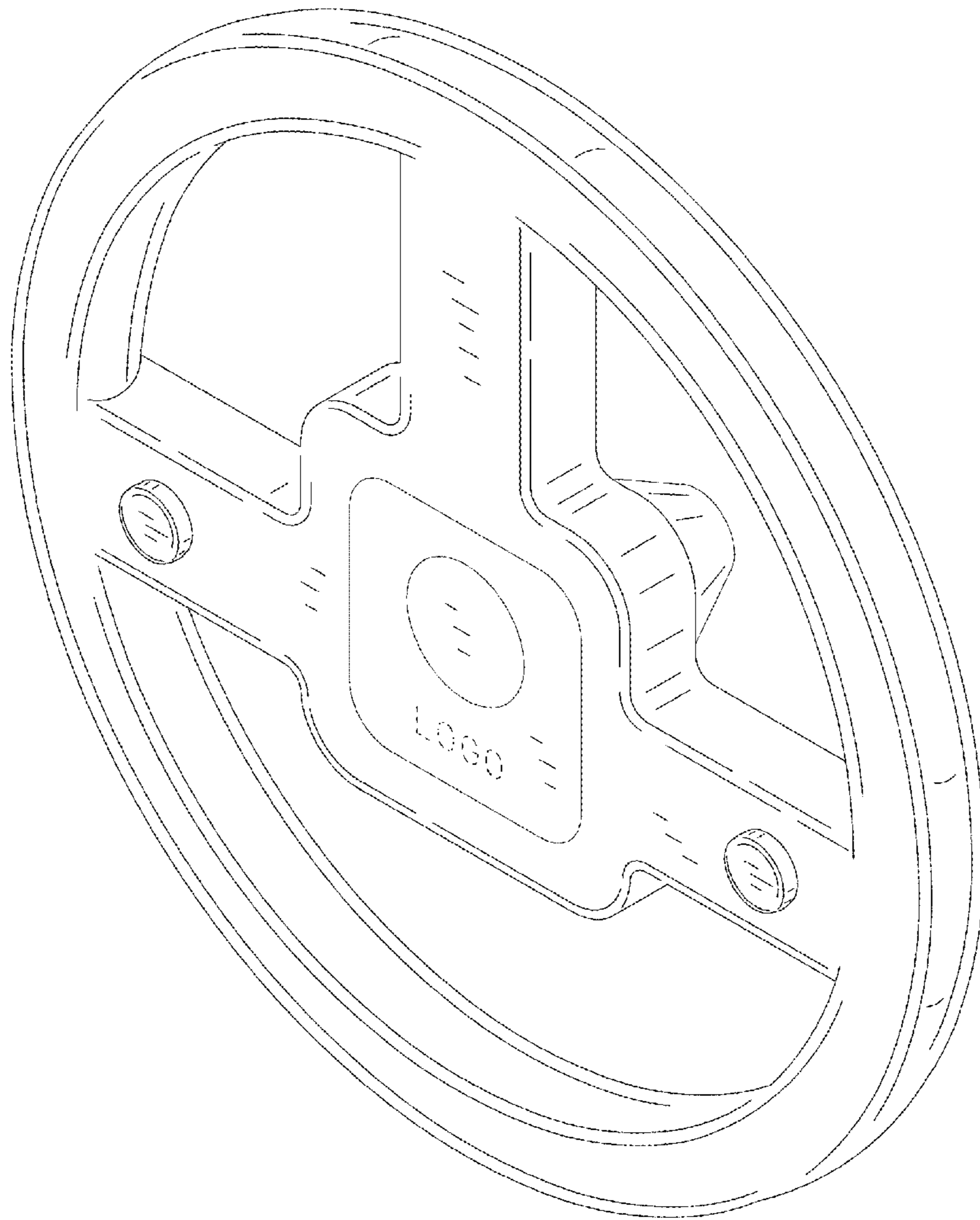


FIG. 5