



US00D758257S

(12) **United States Design Patent**
Platto et al.

(10) **Patent No.:** **US D758,257 S**
(45) **Date of Patent:** **** Jun. 7, 2016**

(54) **VEHICLE HOOD VENT**

(56) **References Cited**

(71) Applicant: **Ford Motor Company**, Dearborn, MI
(US)

U.S. PATENT DOCUMENTS

(72) Inventors: **Gordon M Platto**, Troy, MI (US);
Bradley A Richards, Beverly Hills, MI
(US); **Dong H Park**, Royal Oak, MI
(US); **Anthony Meyer**, Ferndale, MI
(US)

D290,746 S *	7/1987	Whitley, II	D12/317
5,275,249 A *	1/1994	Nelson	B62D 25/12 180/68.1
D410,219 S *	5/1999	Bangle	D12/163
D429,195 S *	8/2000	Gabath	D12/163
D471,495 S *	3/2003	Hoyle, Jr.	D12/173
D523,790 S *	6/2006	Polka	D12/163
D575,206 S *	8/2008	Shelby	D12/173
D640,959 S *	7/2011	Furst	D12/173
D678,152 S *	3/2013	Behmer	D12/173
D685,691 S *	7/2013	Messale	D12/163
D696,165 S *	12/2013	Campbell	D12/163
D714,195 S *	9/2014	Conway	D12/163

(73) Assignee: **Ford Motor Company**, Dearborn, MI
(US)

(**) Term: **14 Years**

* cited by examiner

(21) Appl. No.: **29/513,867**

Primary Examiner — Philip S Hyder

(22) Filed: **Jan. 6, 2015**

Assistant Examiner — Darlington Ly

(51) **LOC (10) Cl.** **12-16**

(74) *Attorney, Agent, or Firm* — Damian Porcari

(52) **U.S. Cl.**
USPC **D12/163**

(57) **CLAIM**

The ornamental design for a vehicle hood vent, as shown and described.

(58) **Field of Classification Search**

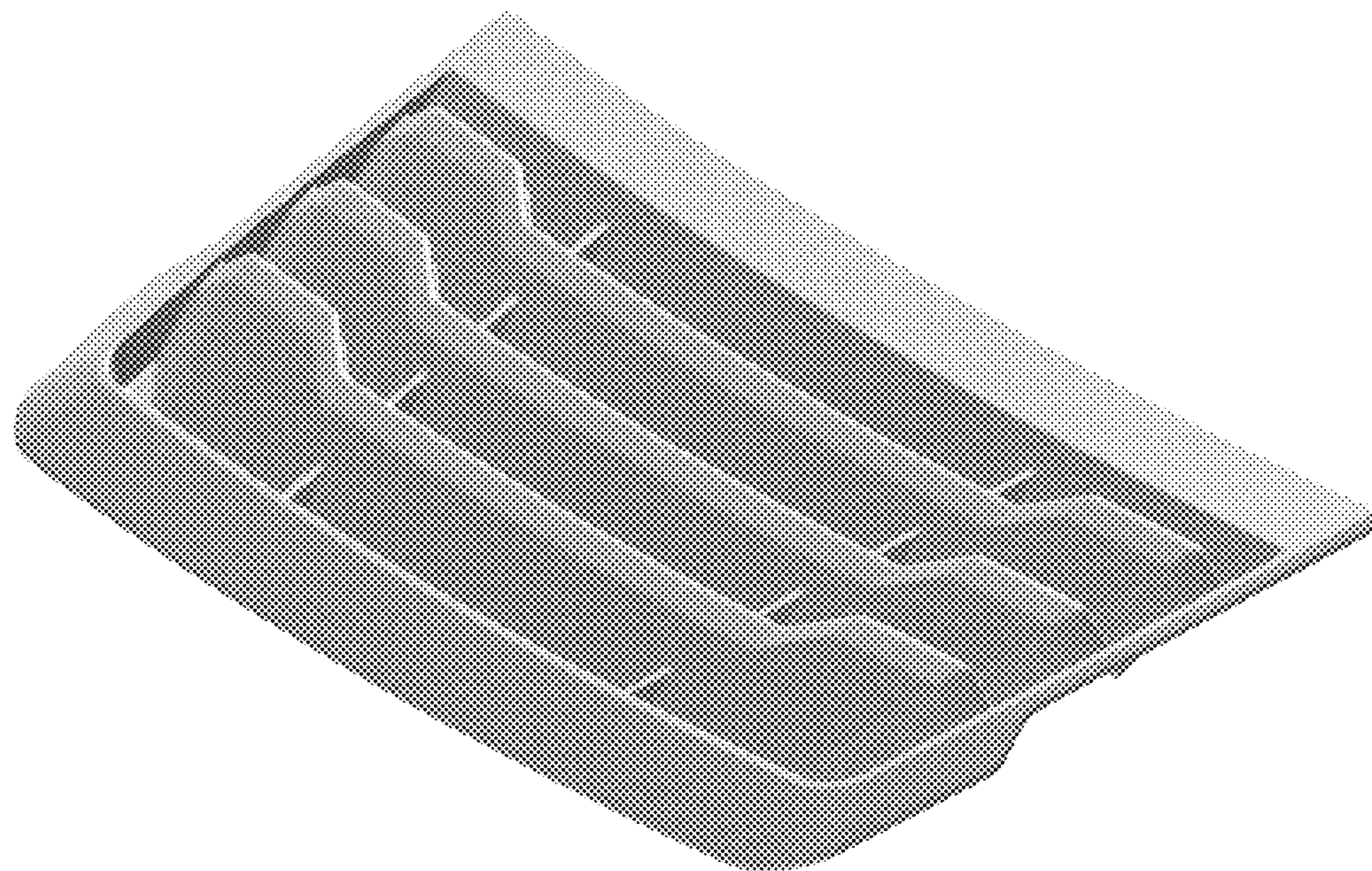
DESCRIPTION

USPC D12/56, 90, 91, 92, 163, 164, 169, 196,
D12/171, 173, 216; 180/68.1, 68.6;
296/187.09, 193.1; D15/89; D23/354,
D23/371, 385, 387, 388, 393, 412;
D25/155; D26/59, 72, 120, 121;
D6/703.5, 409; 293/115; 454/155
CPC B63B 3/66; B60H 1/34; B60H 1/248;
B60H 1/262; B60K 13/02; B60K 13/005;
B60K 19/52; B60K 2019/525

FIG. 1 is a top left perspective view of a vehicle hood vent;
FIG. 2 is a top right perspective view thereof;
FIG. 3 is a top rear perspective view thereof;
FIG. 4 is a front elevational view thereof;
FIG. 5 is a rear elevational view thereof;
FIG. 6 is a left side elevational view thereof;
FIG. 7 is a right side elevational view thereof;
FIG. 8 is a top plan view thereof; and,
FIG. 9 is a bottom plan view thereof.

See application file for complete search history.

1 Claim, 9 Drawing Sheets



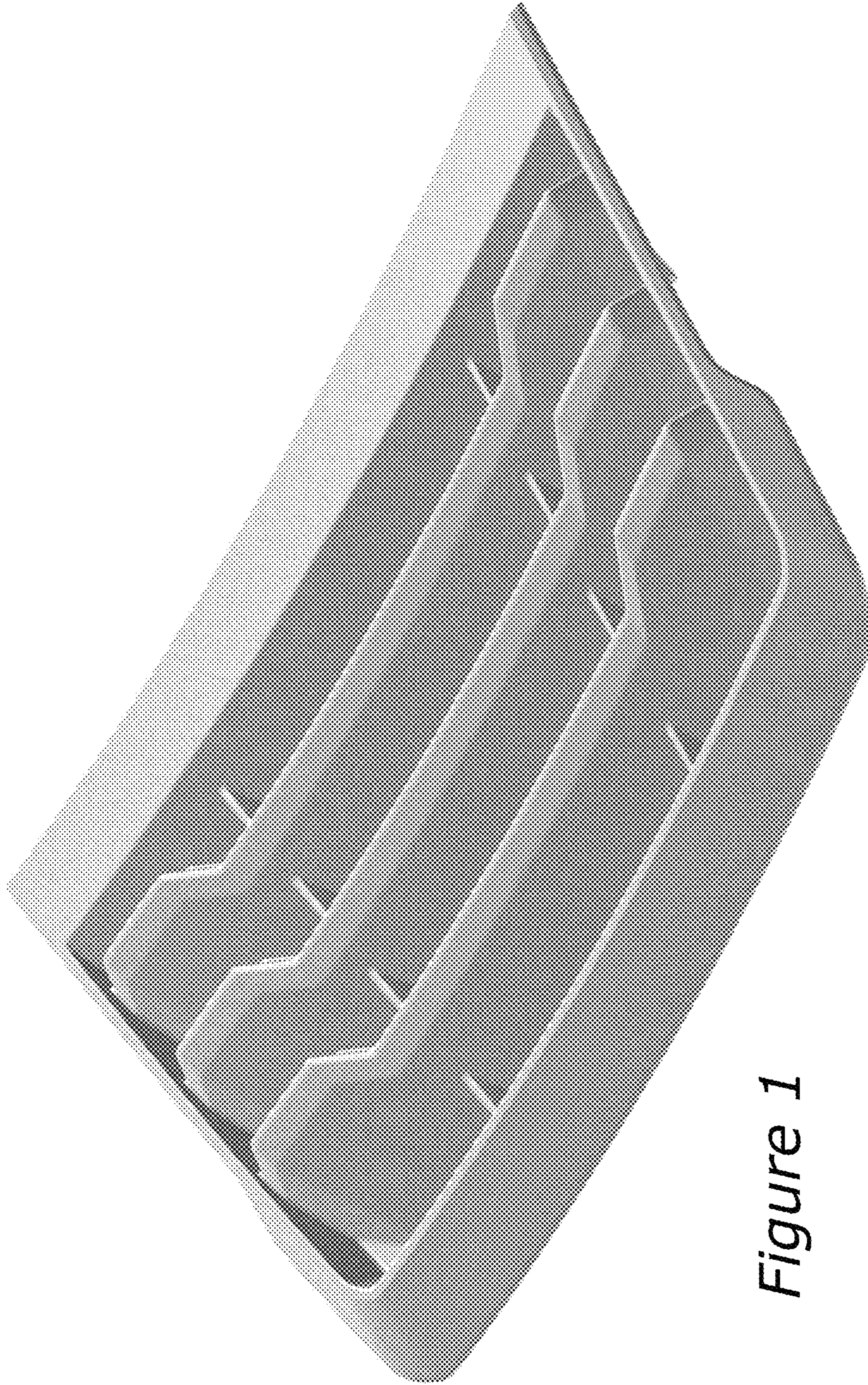


Figure 1

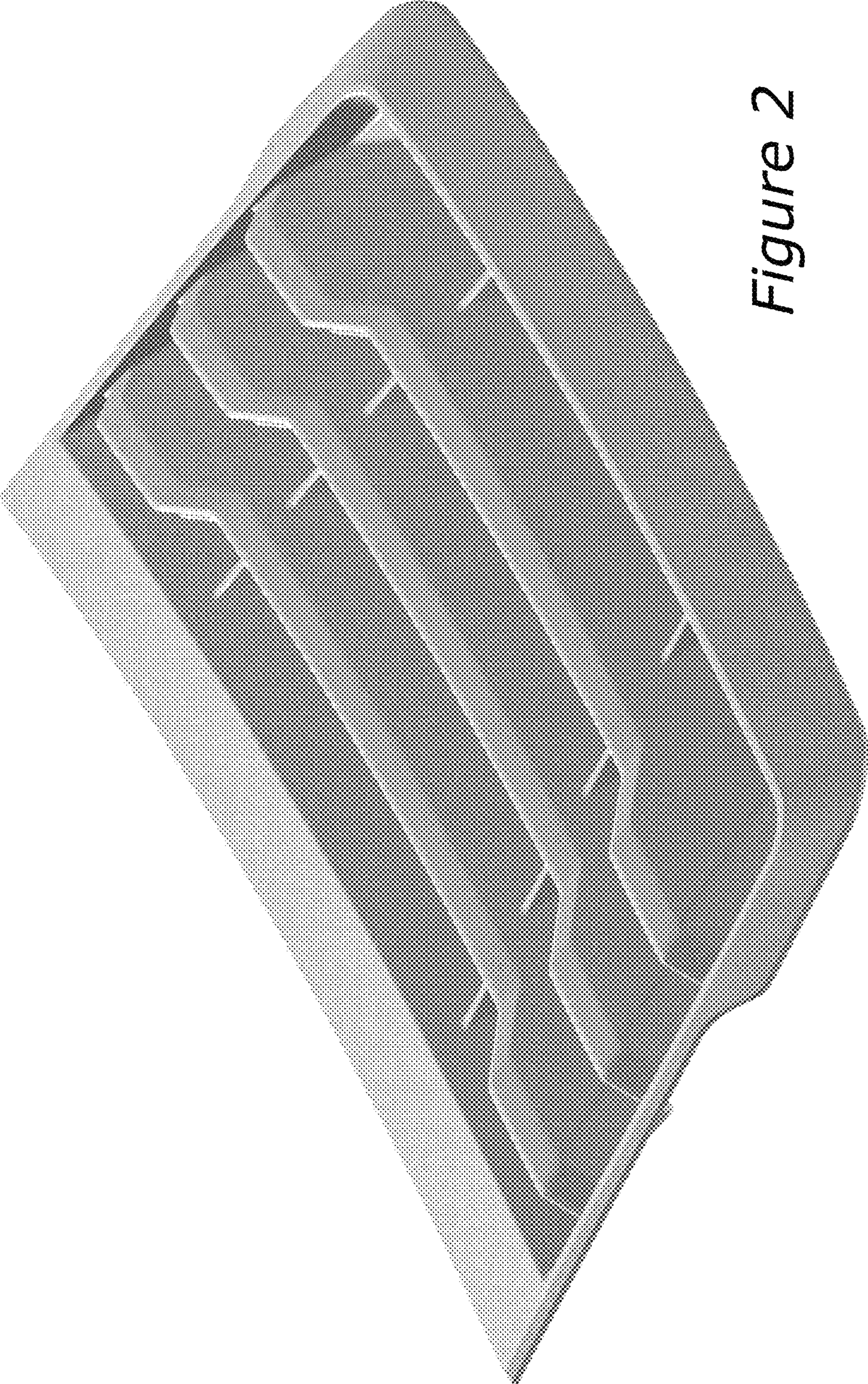


Figure 2

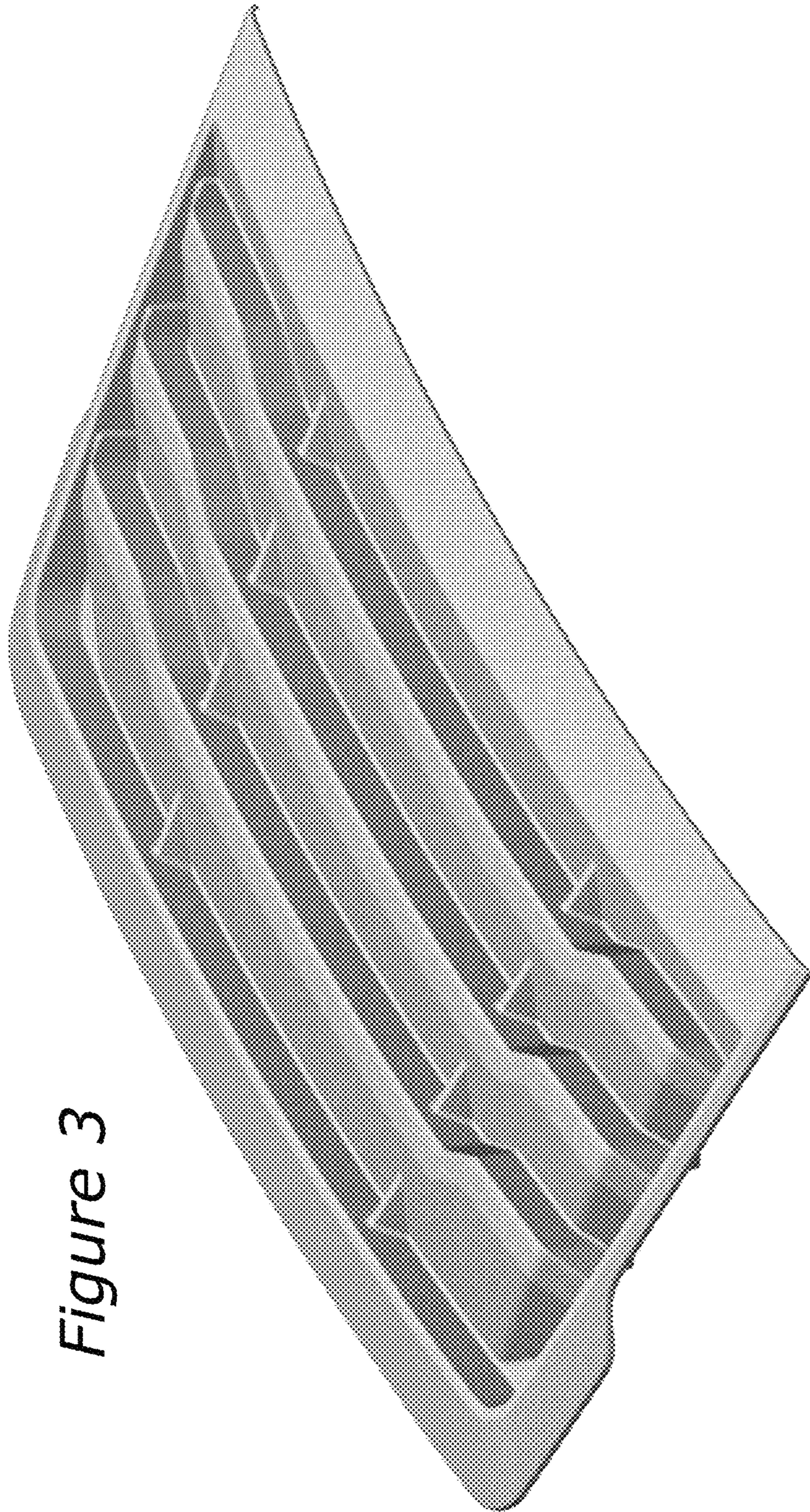


Figure 3

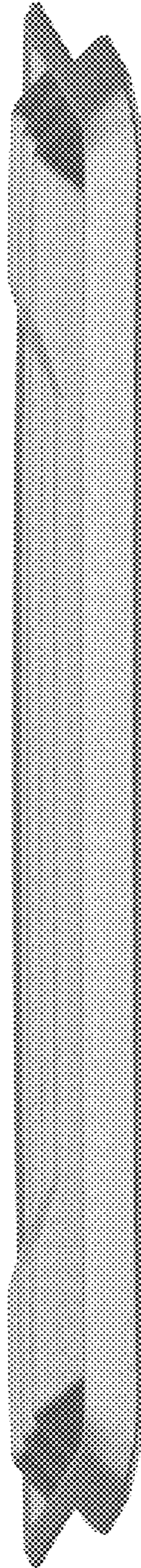


Figure 4

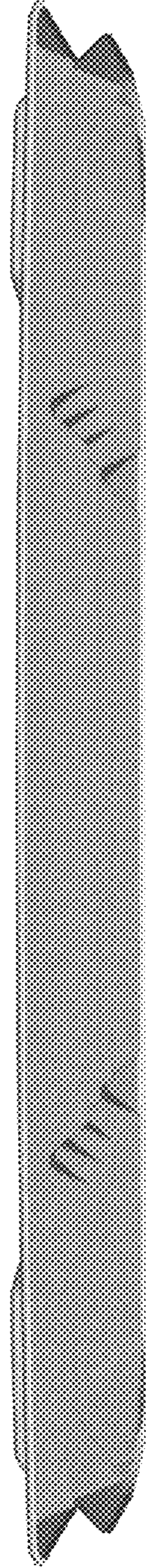


Figure 5

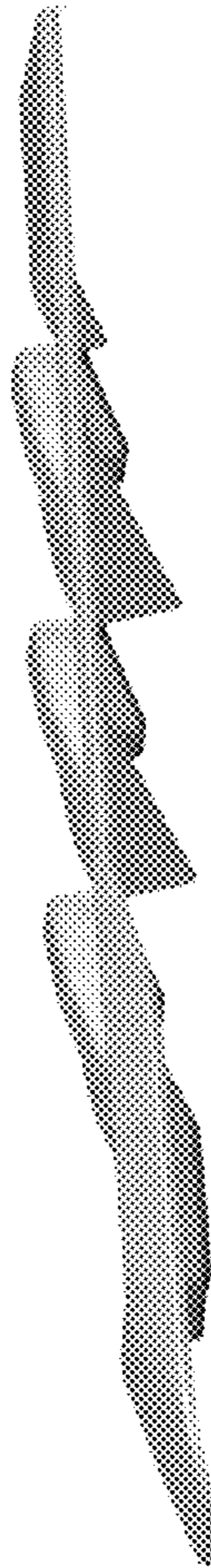


Figure 6

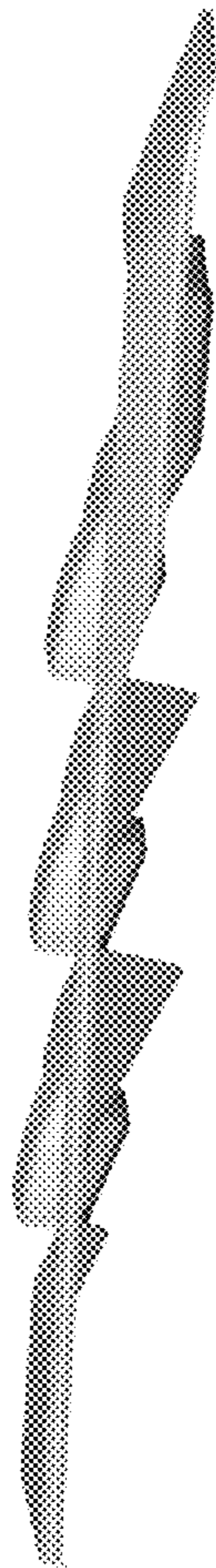


Figure 7

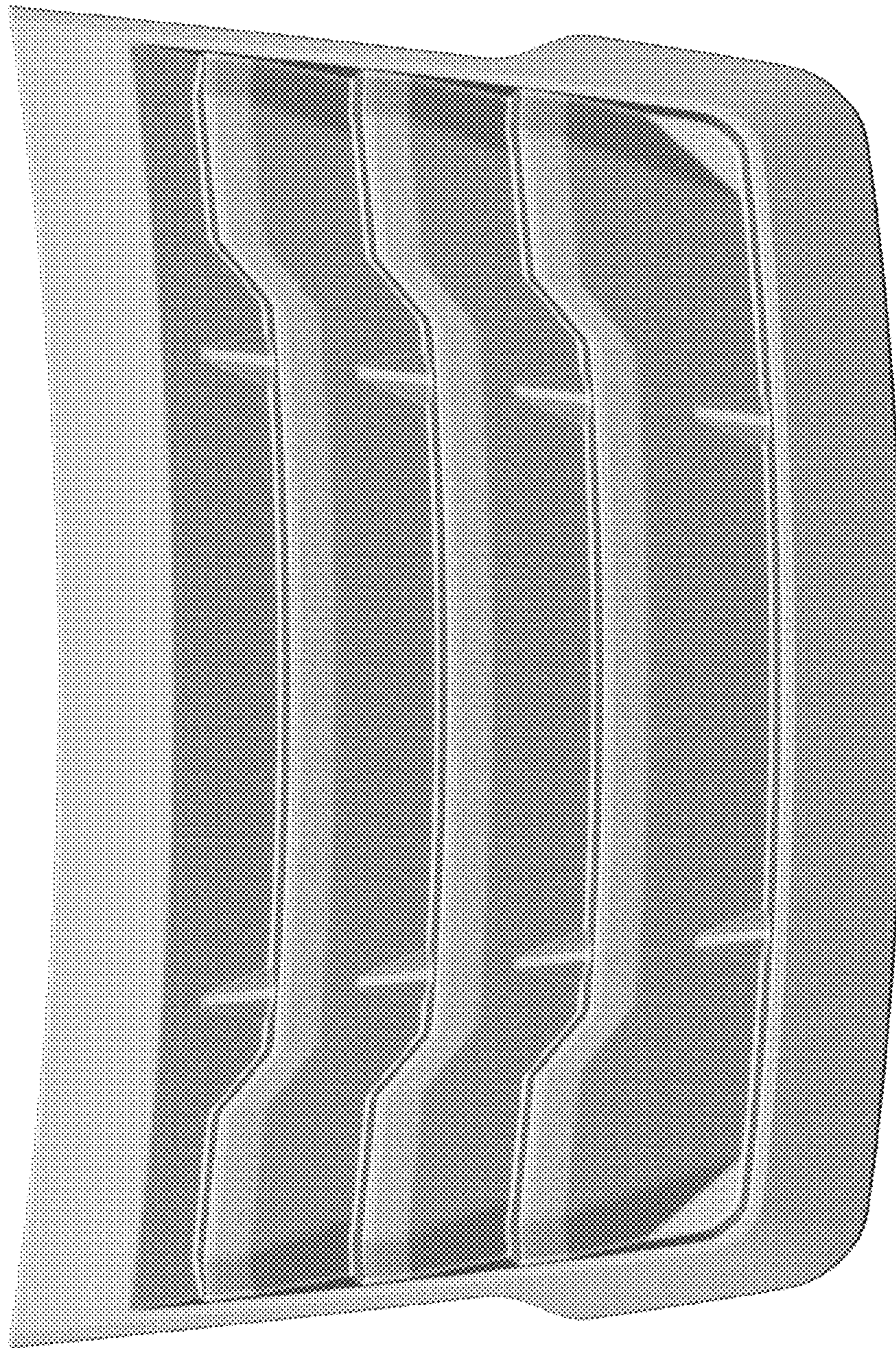


Figure 8

Figure 9

