



US00D758256S

(12) **United States Design Patent**
Cropley et al.

(10) **Patent No.:** **US D758,256 S**
(45) **Date of Patent:** **** Jun. 7, 2016**

(54) **ROOF RACK TRACK LEG**

(56) **References Cited**

(71) Applicant: **RHINO RACK AUSTRALIA PTY LIMITED**, Rydalmere New South Wales (AU)

(72) Inventors: **Richard Oswald Cropley**, Rydalmere (AU); **Michael John Laybourne Hort**, Rydalmere (AU); **Christopher John Murty**, Rydalmere (AU)

(73) Assignee: **RHINO RACK AUSTRALIA PTY LIMITED**, Rydalmere New South Wales (AU)

(**) Term: **14 Years**

(21) Appl. No.: **29/510,580**

(22) Filed: **Dec. 1, 2014**

(30) **Foreign Application Priority Data**

May 29, 2014 (AU) 12631/2014

(51) **LOC (10) Cl.** **12-16**

(52) **U.S. Cl.**
USPC **D12/142**

(58) **Field of Classification Search**
USPC D12/412, 406, 413, 414, 414.1;
D6/552; D3/304-306
CPC B60R 9/00; B60R 9/02; B60R 9/04;
B60R 9/08; B60R 9/042; B60R 9/0423;
B60R 9/0426; B60R 9/045; B60R 9/048;
B60R 9/0485; B60R 9/05; B60R 9/052;
B60R 9/055; B60R 9/058; B60R 9/06; B60R
9/10; B60R 9/12

See application file for complete search history.

U.S. PATENT DOCUMENTS

D221,299 S *	7/1971	Burland	D12/190
D495,654 S *	9/2004	Elwell	D12/414
D499,372 S *	12/2004	Andersson	D12/414
D638,345 S *	5/2011	Kanczuzewski	D12/406
D660,778 S *	5/2012	An	D12/220
D669,017 S *	10/2012	Robertson	D12/412
D709,818 S *	7/2014	Zhang	D12/412
2008/0197162 A1 *	8/2008	Klinkman	B60R 9/045 224/314

* cited by examiner

Primary Examiner — Katrina A Betton

(74) *Attorney, Agent, or Firm* — Bacon & Thomas, PLLC

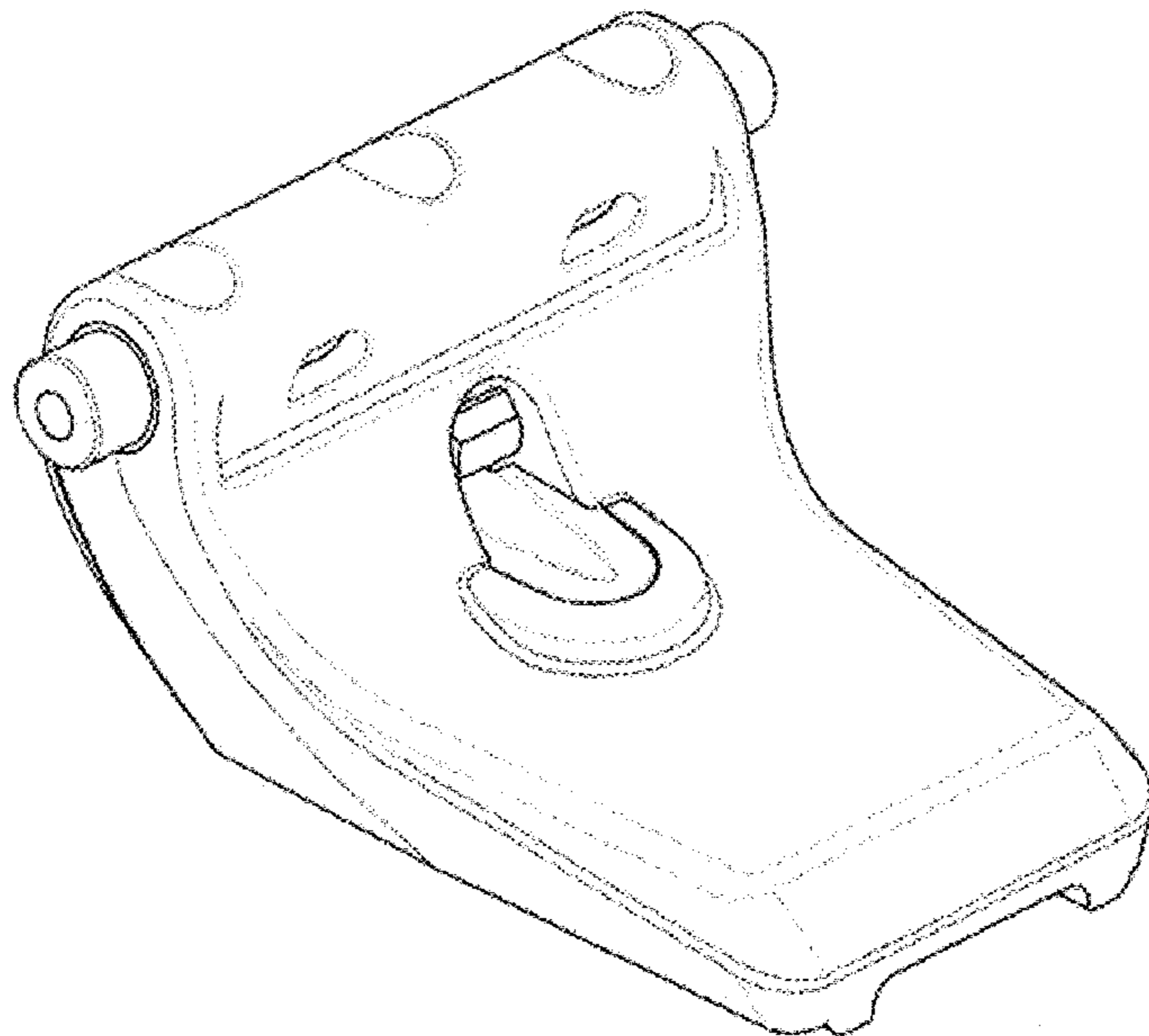
(57) **CLAIM**

The ornamental design for a roof rack track leg, as shown and described.

DESCRIPTION

FIG. 1 is an isometric view from below of a roof rack track leg showing our new design;
FIG. 2 is a rear side elevation view thereof;
FIG. 3 is left side elevation view thereof;
FIG. 4 is a bottom side plan view thereof;
FIG. 5 is a right side elevation view thereof;
FIG. 6 is a front side plan view thereof;
FIG. 7 is a top side plan view thereof; and,
FIG. 8 is an isometric thereof, taken slightly from above.

1 Claim, 8 Drawing Sheets



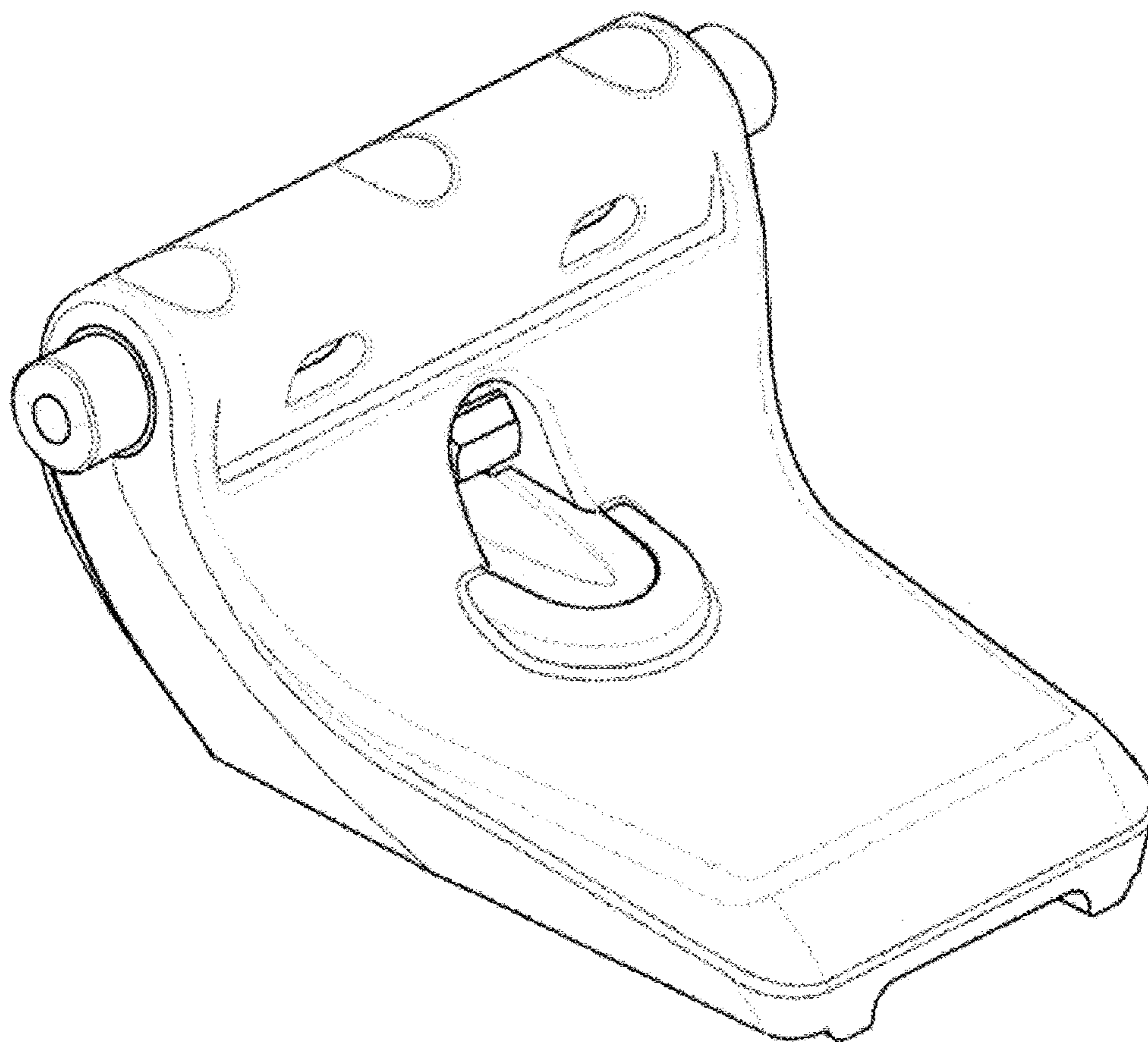


FIG. 1

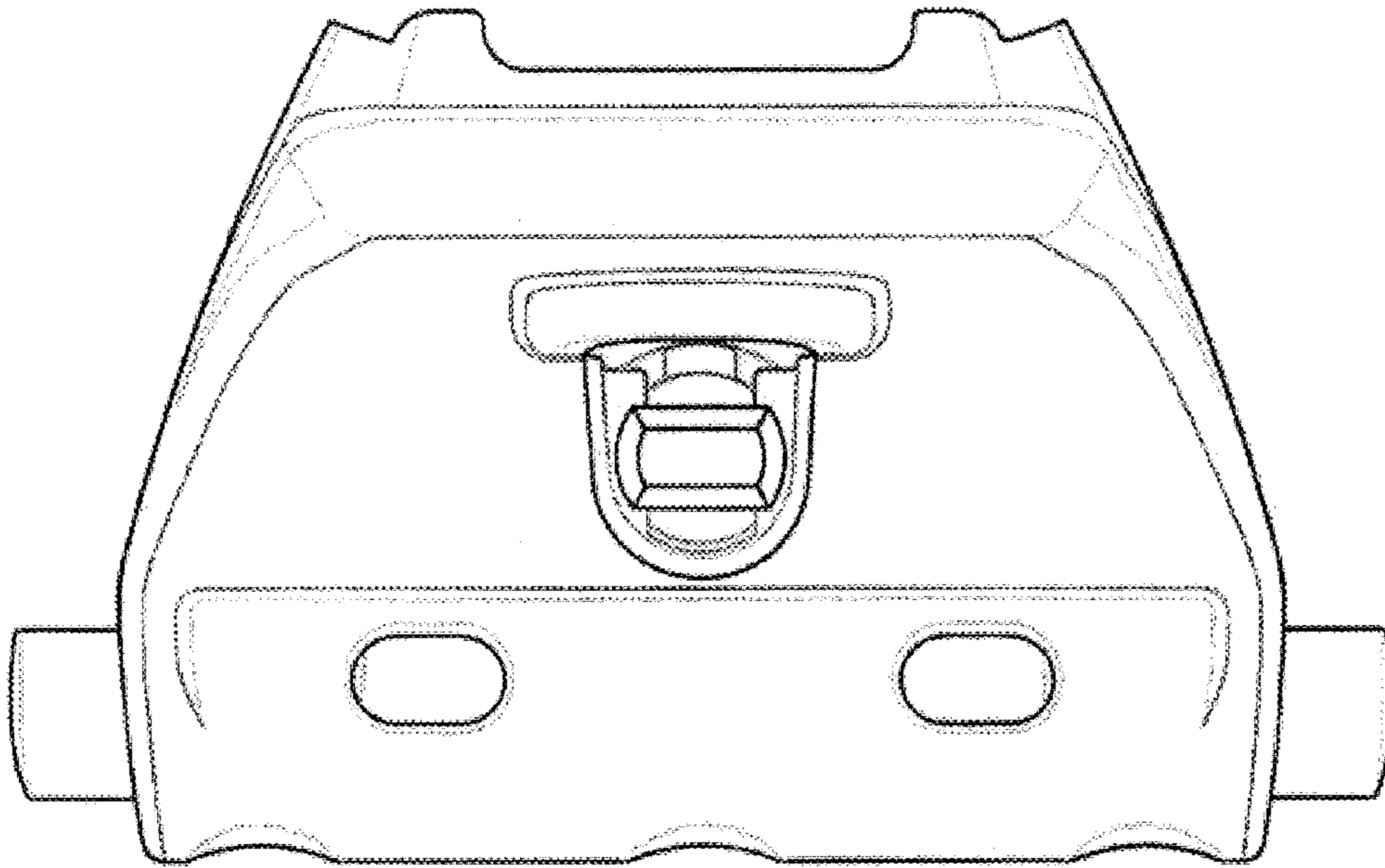


FIG. 2

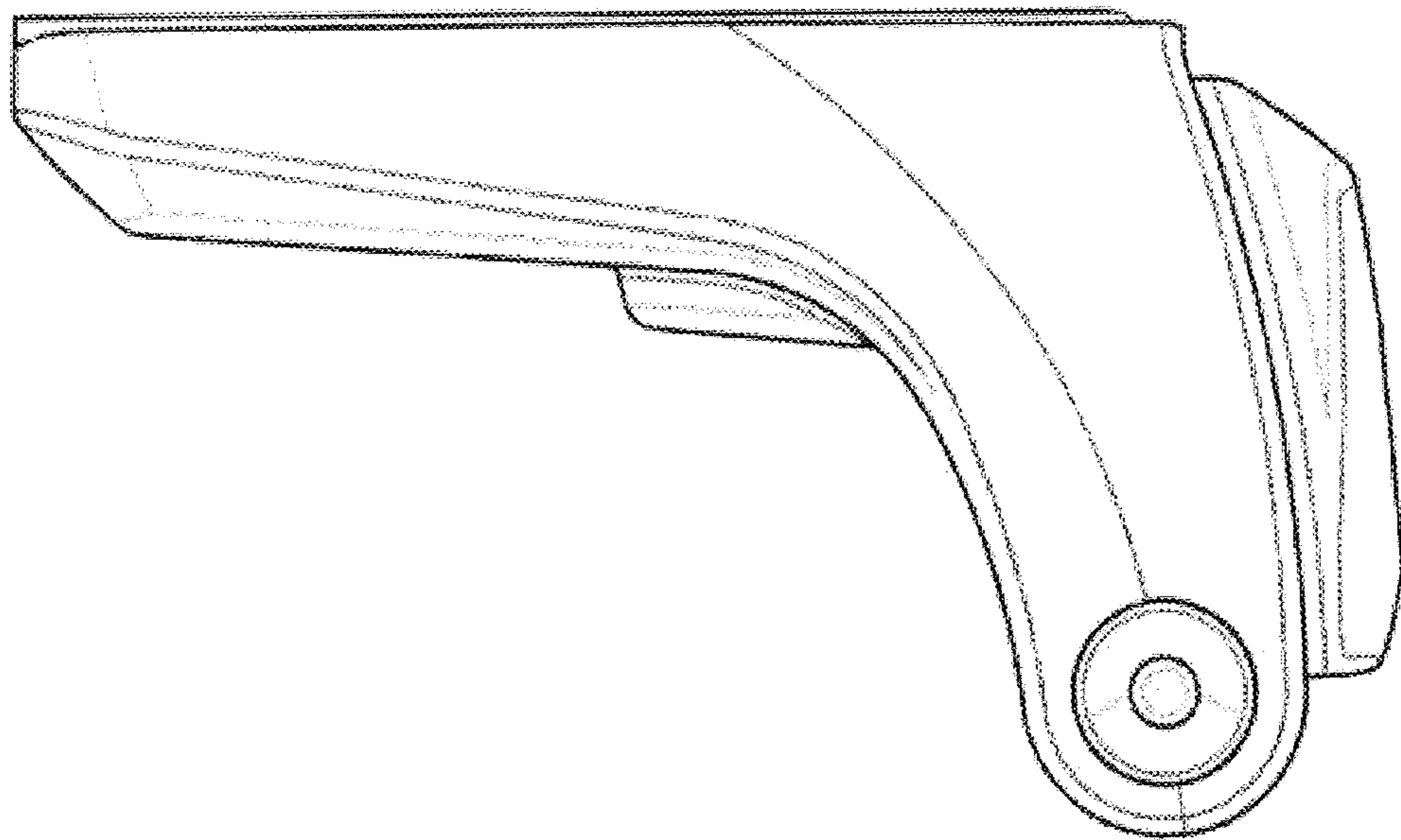


FIG. 3

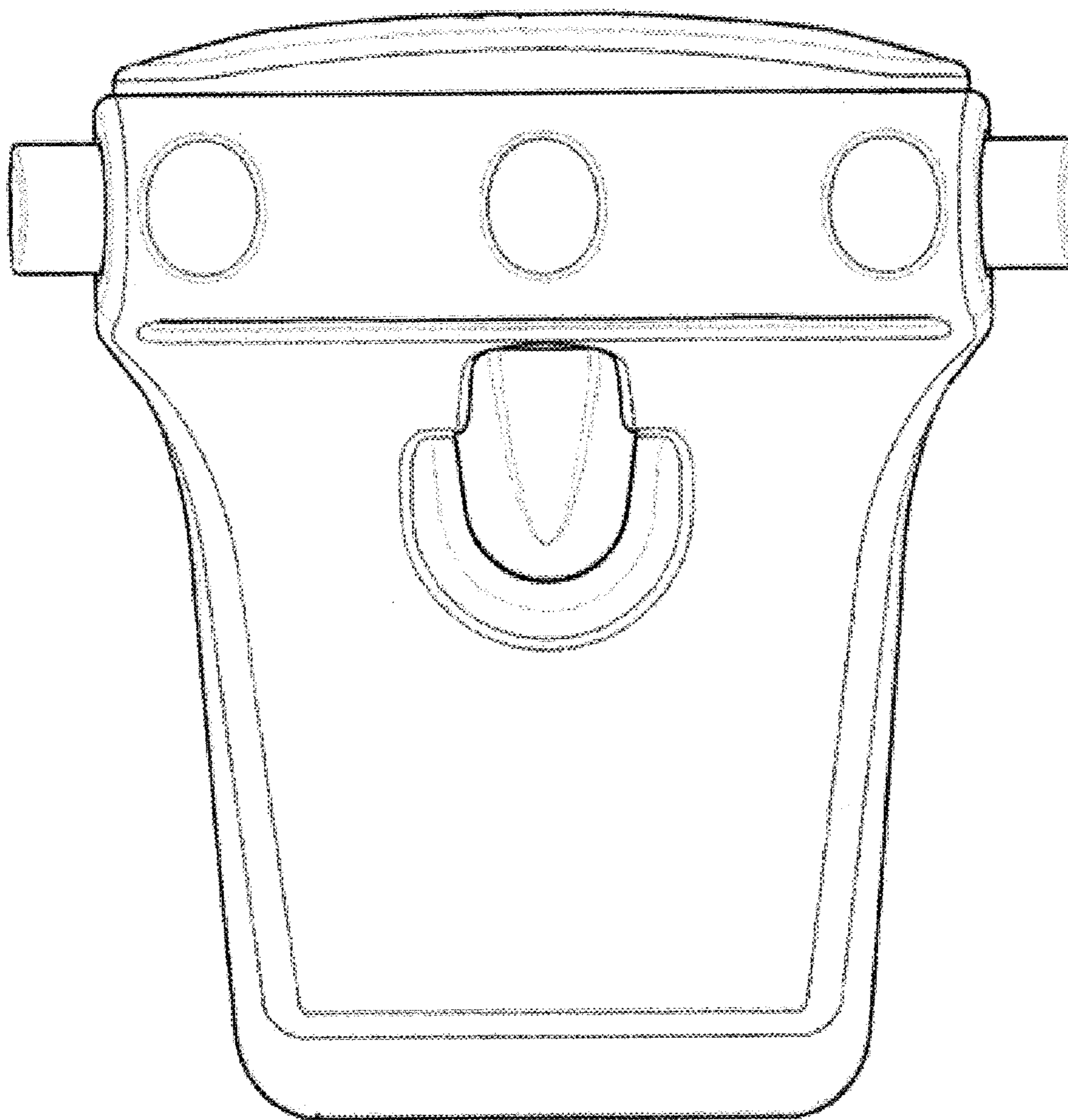


FIG. 4

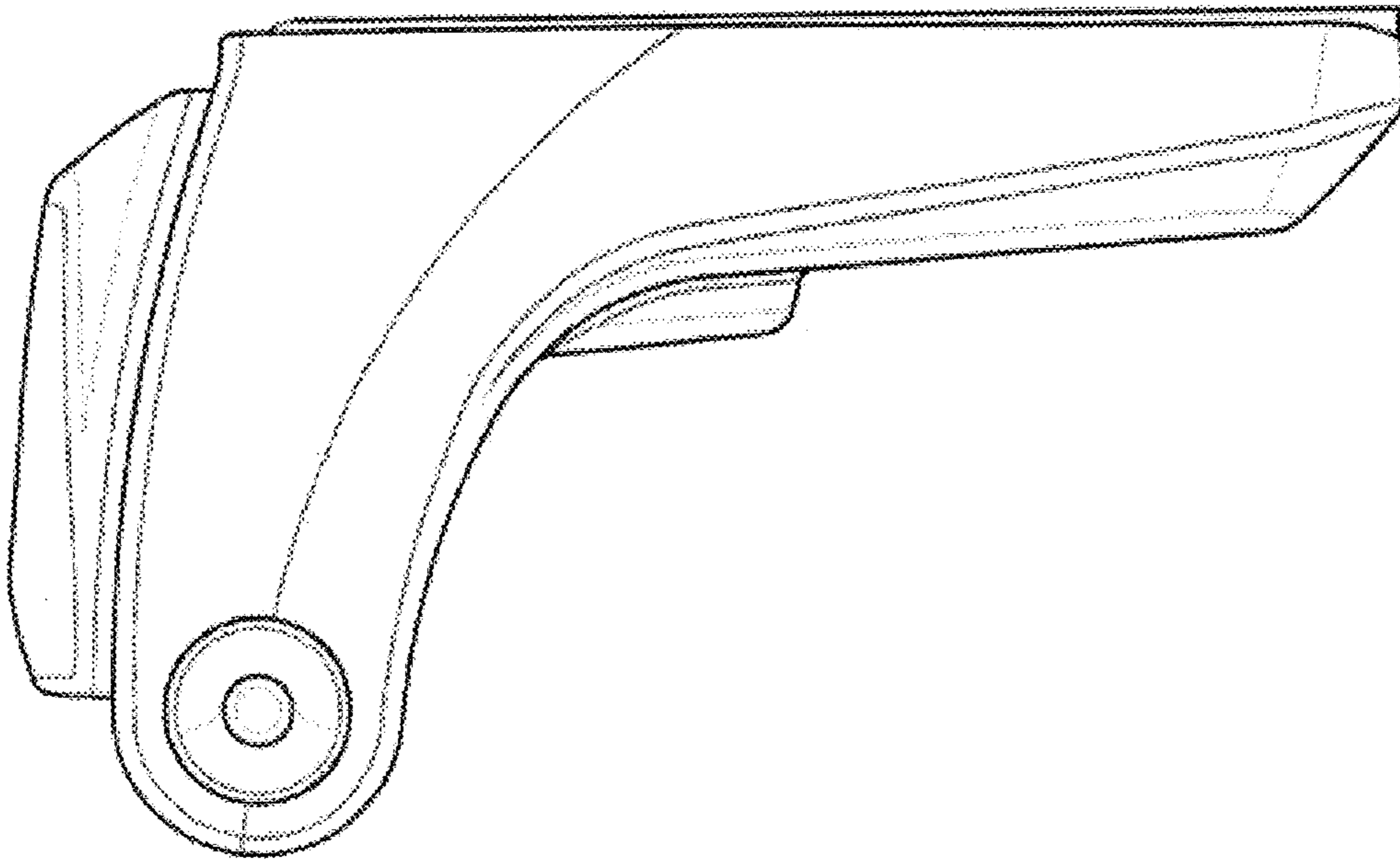


FIG. 5

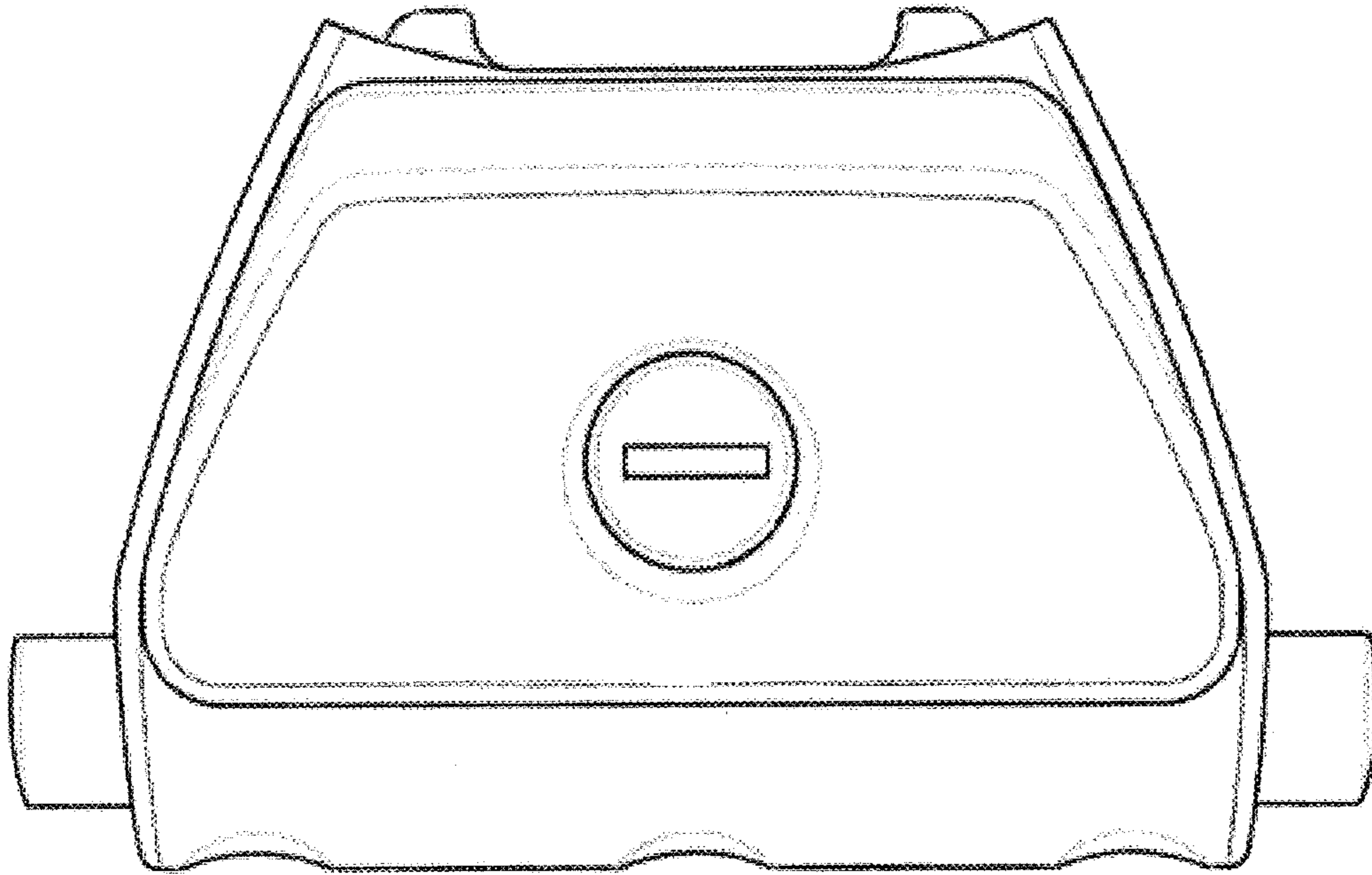


FIG. 6

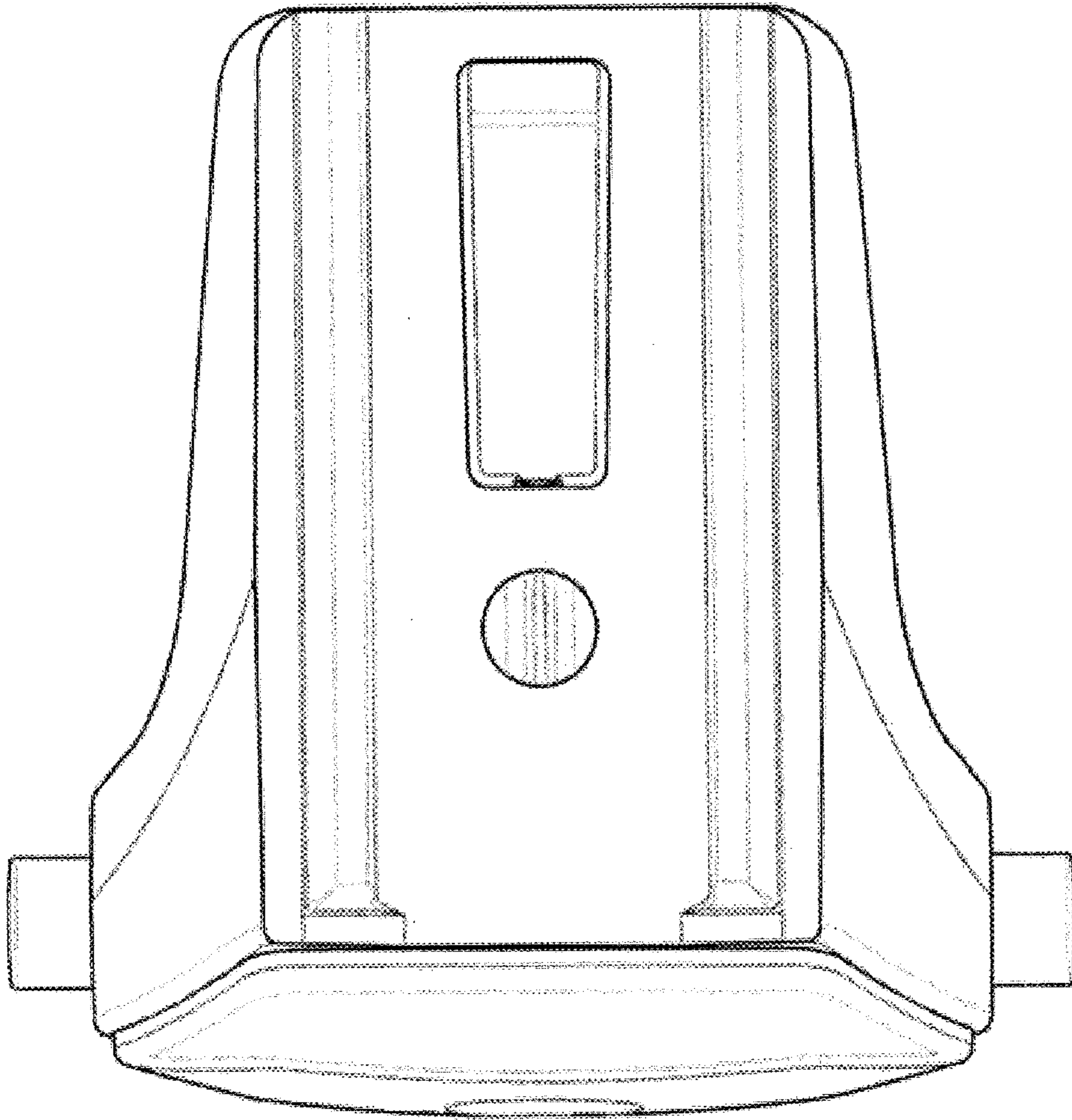


FIG. 7

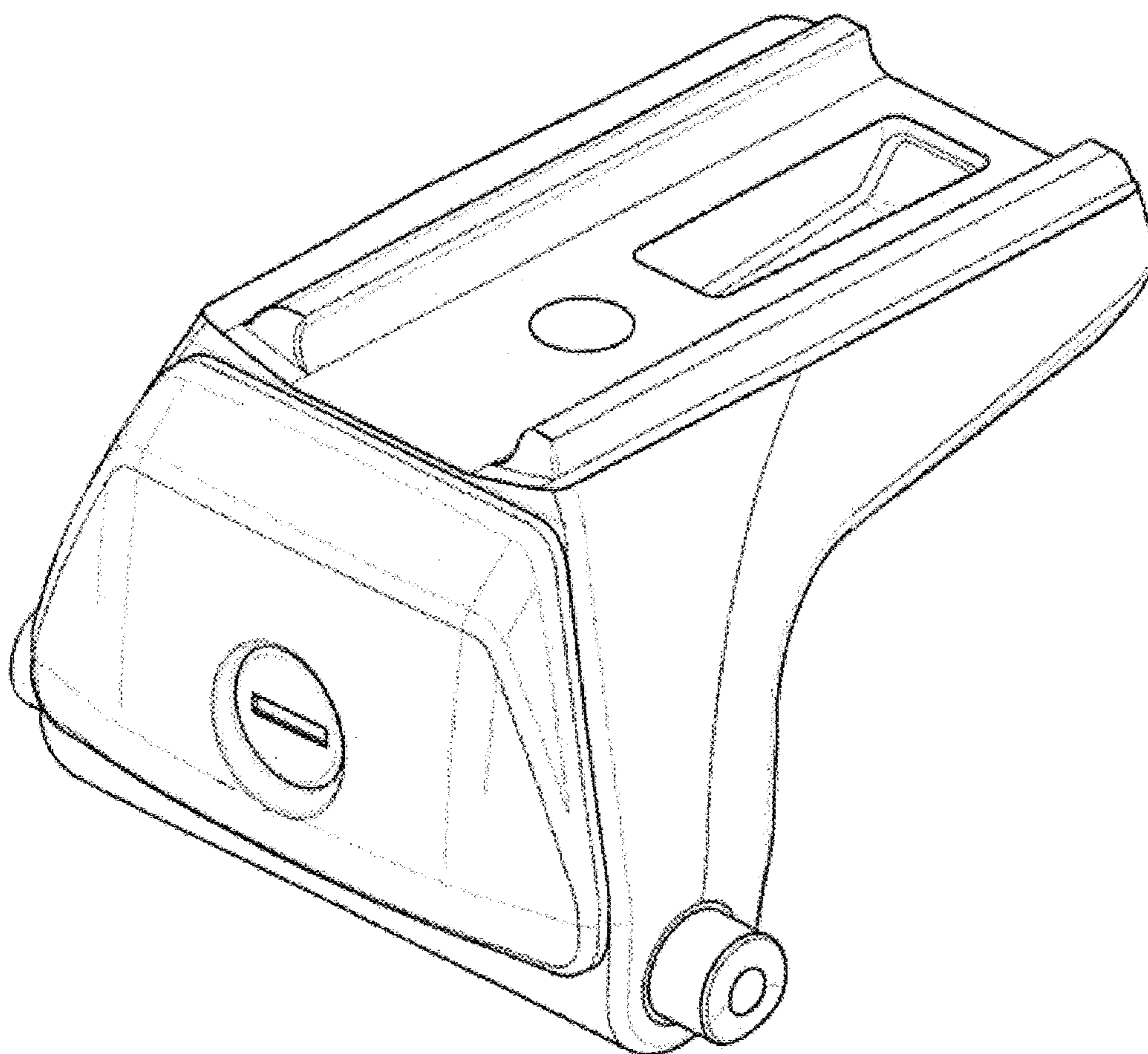


FIG. 8