



US00D758254S

(12) **United States Design Patent**
Woller, Jr. et al.

(10) **Patent No.:** **US D758,254 S**
(45) **Date of Patent:** **** Jun. 7, 2016**

- (54) **GAME HOIST**
- (71) Applicant: **Viking Solutions, LLC**, Decatur, AL (US)
- (72) Inventors: **John A. Woller, Jr.**, Decatur, AL (US);
John A. Woller, Decatur, AL (US);
Ronald R. Woller, Decatur, AL (US)
- (73) Assignee: **Viking Solutions LLC**, Decatur, AL (US)

D429,051	S	8/2000	Porter	
6,095,349	A	8/2000	O'Meara	
6,152,675	A	11/2000	Compton	
6,189,866	B1	2/2001	Harkins et al.	
6,202,868	B1	3/2001	Murray	
6,230,448	B1*	5/2001	Oliver E04G 23/0218 248/200.1
6,578,722	B2	6/2003	Perkins et al.	
6,705,821	B2	3/2004	Philipps et al.	
D658,549	S*	5/2012	Neumann D12/106
D744,379	S*	12/2015	Penner D12/106
2009/0050771	A1*	2/2009	Horne E04G 25/06 248/354.5

- (**) Term: **14 Years**
- (21) Appl. No.: **29/512,167**
- (22) Filed: **Dec. 17, 2014**

* cited by examiner

Primary Examiner — Katrina A Betton
(74) *Attorney, Agent, or Firm* — Jeremy A. Smith; Frank M. Caprio; Bradley Arant Boult Cummings LLP

Related U.S. Application Data

- (63) Continuation of application No. 14/290,158, filed on May 29, 2014, now abandoned.
- (51) **LOC (10) Cl.** **12-10**
- (52) **U.S. Cl.**
USPC **D12/106**
- (58) **Field of Classification Search**
USPC D12/401–414; D6/610–611
CPC B60R 9/00–9/08; B60R 9/042; B60R 9/12
See application file for complete search history.

(57) **CLAIM**

The ornamental design for a game hoist, as shown and described herein.

DESCRIPTION

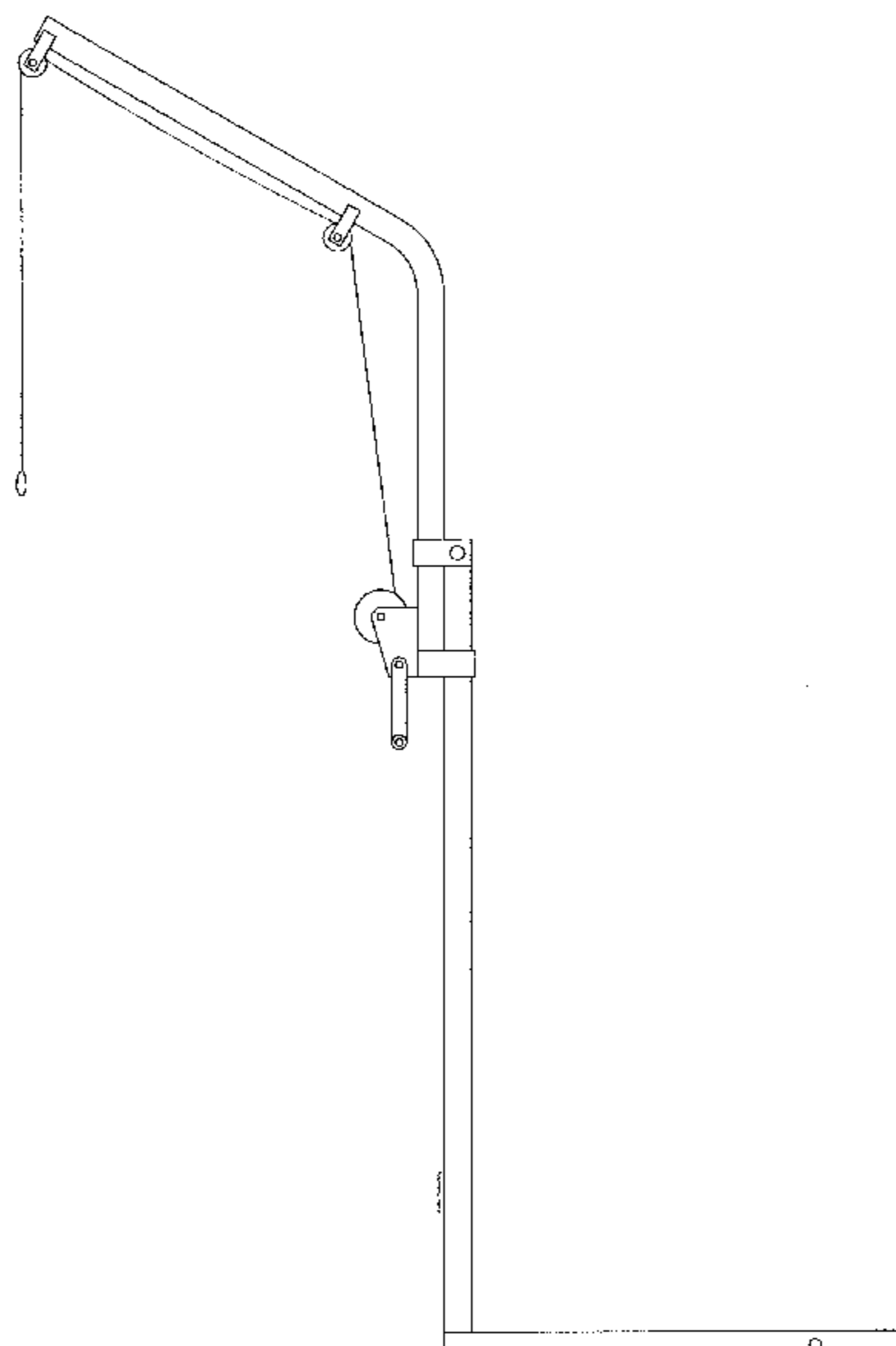
FIG. 1 shows a side view of the game hoist.
 FIG. 2 shows an elevated perspective front view of the game hoist.
 FIG. 3 shows an elevated perspective rear view of the game hoist.
 FIG. 4 shows a front view of the game hoist.
 FIG. 5 shows a rear view of the game hoist.
 FIG. 6 shows an additional side view of the game hoist.
 FIG. 7 shows an additional alternate side view of the game hoist.
 FIG. 8 shows a top view of the game hoist; and,
 FIG. 9 shows a bottom view of the game hoist.
 The dashed lines, if any, shown in the drawings illustrate environmental structure and form no part of the claimed design.

(56) **References Cited**

U.S. PATENT DOCUMENTS

4,169,581	A*	10/1979	Thurmond, Jr. B66F 3/14 254/101
D279,661	S*	7/1985	Heard D12/106
4,881,864	A	11/1989	Amato	
D317,279	S*	6/1991	Krueger D12/106
D340,790	S*	10/1993	Goodrich D12/106
D358,696	S	5/1995	Mims	
5,540,537	A	7/1996	Welch	
5,791,585	A	8/1998	Knight et al.	

1 Claim, 8 Drawing Sheets



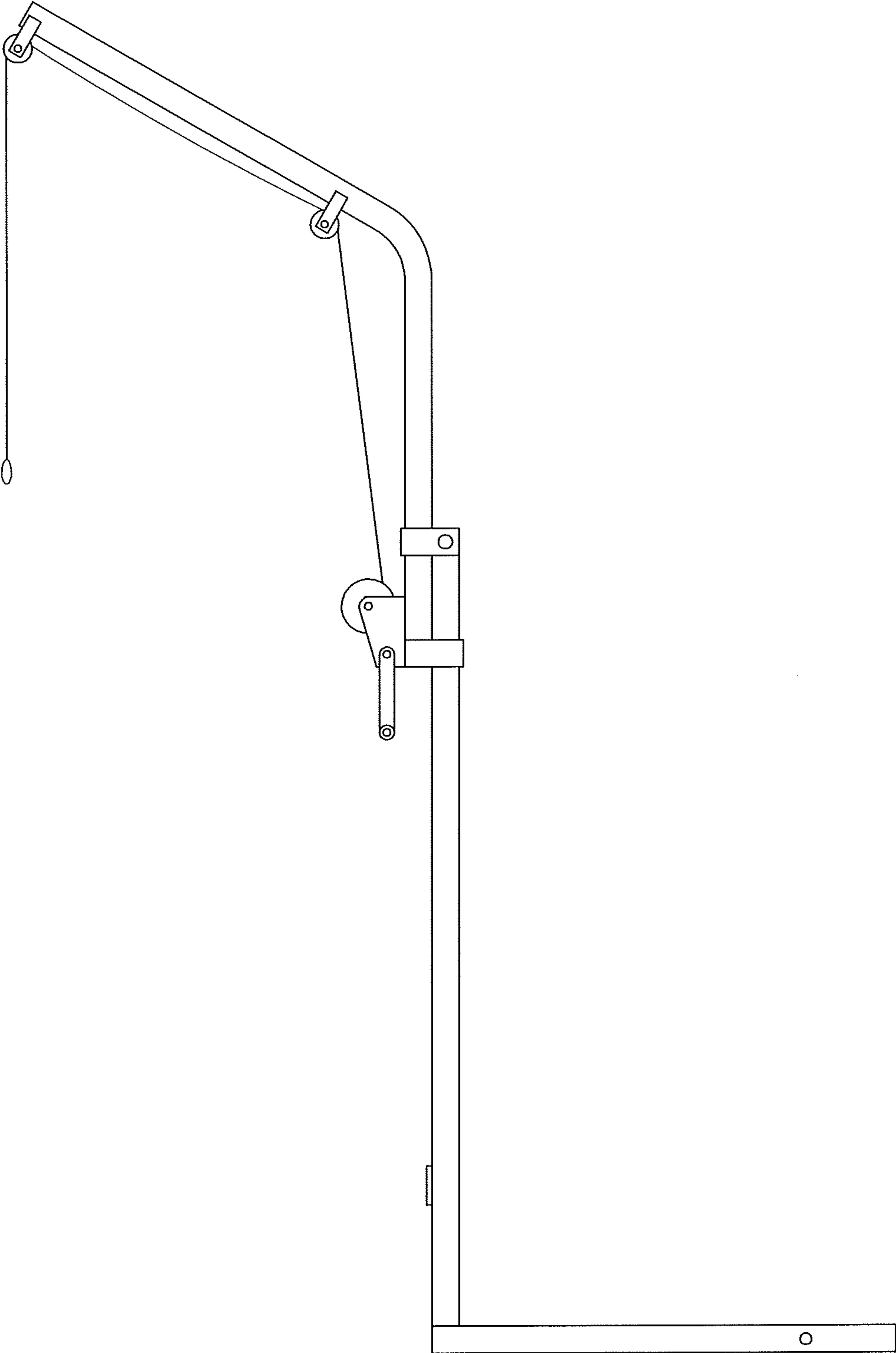


FIG. 1

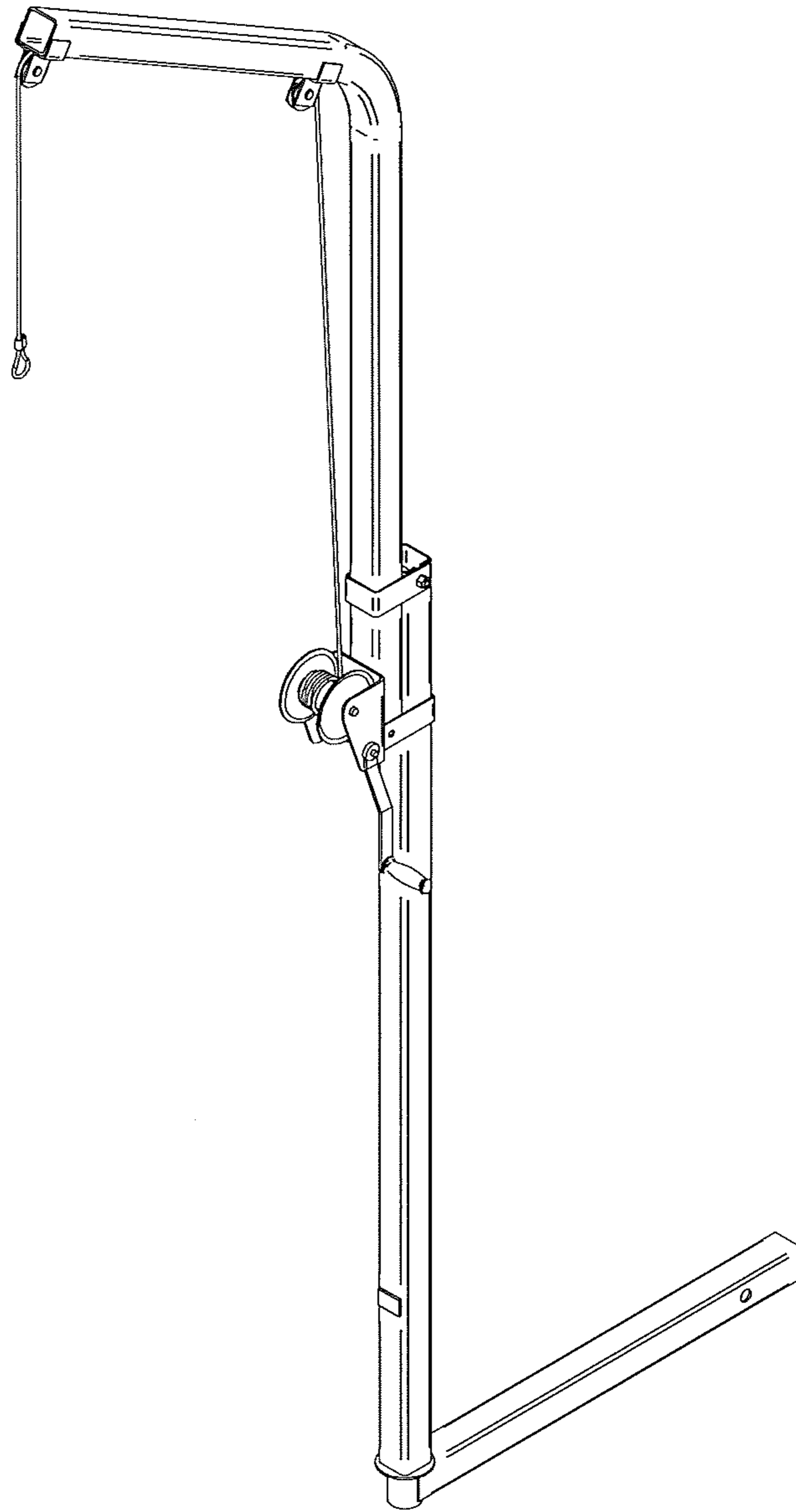


FIG. 2

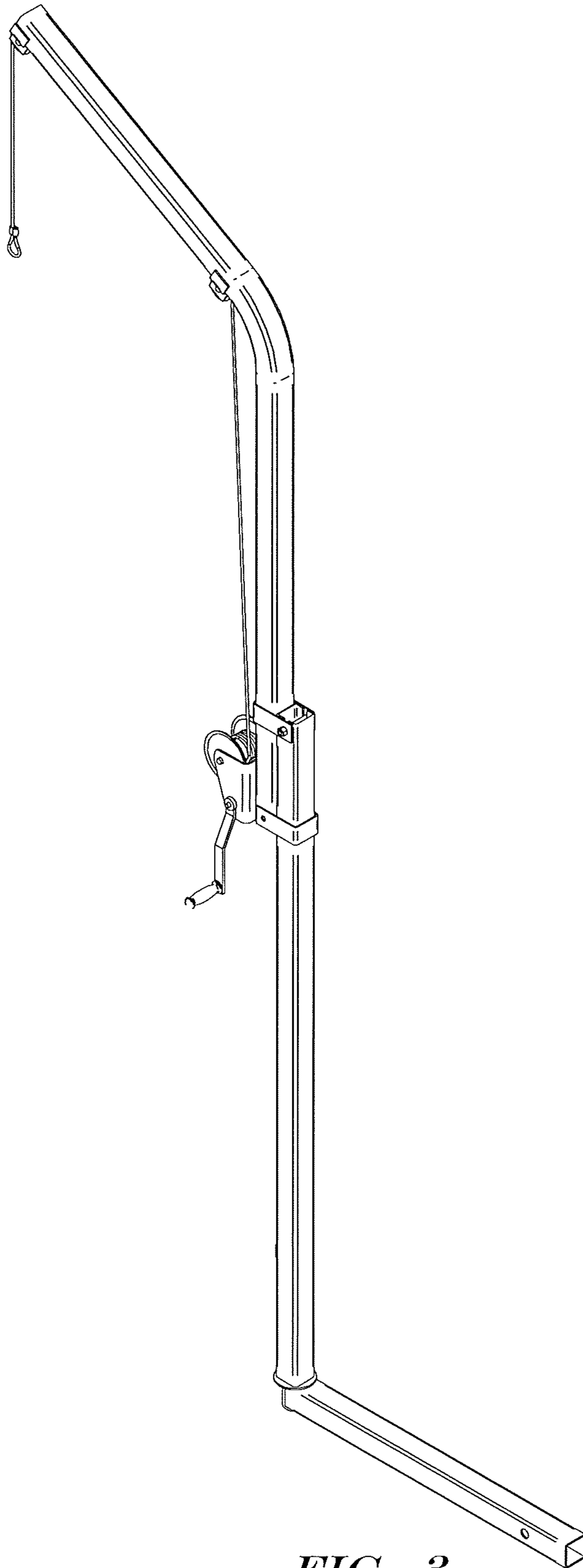


FIG. 3

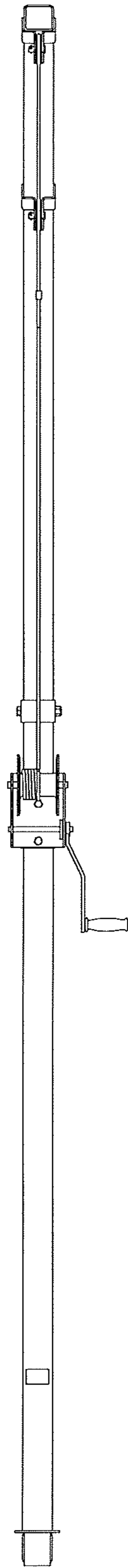


FIG. 4

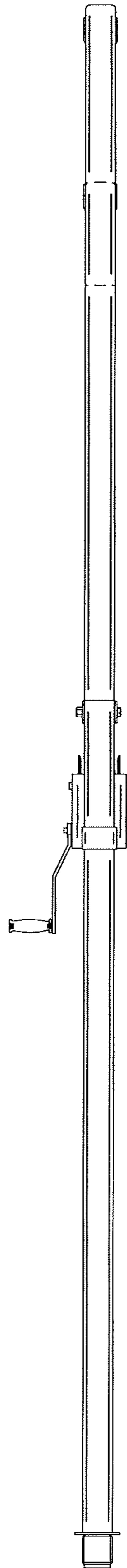


FIG. 5

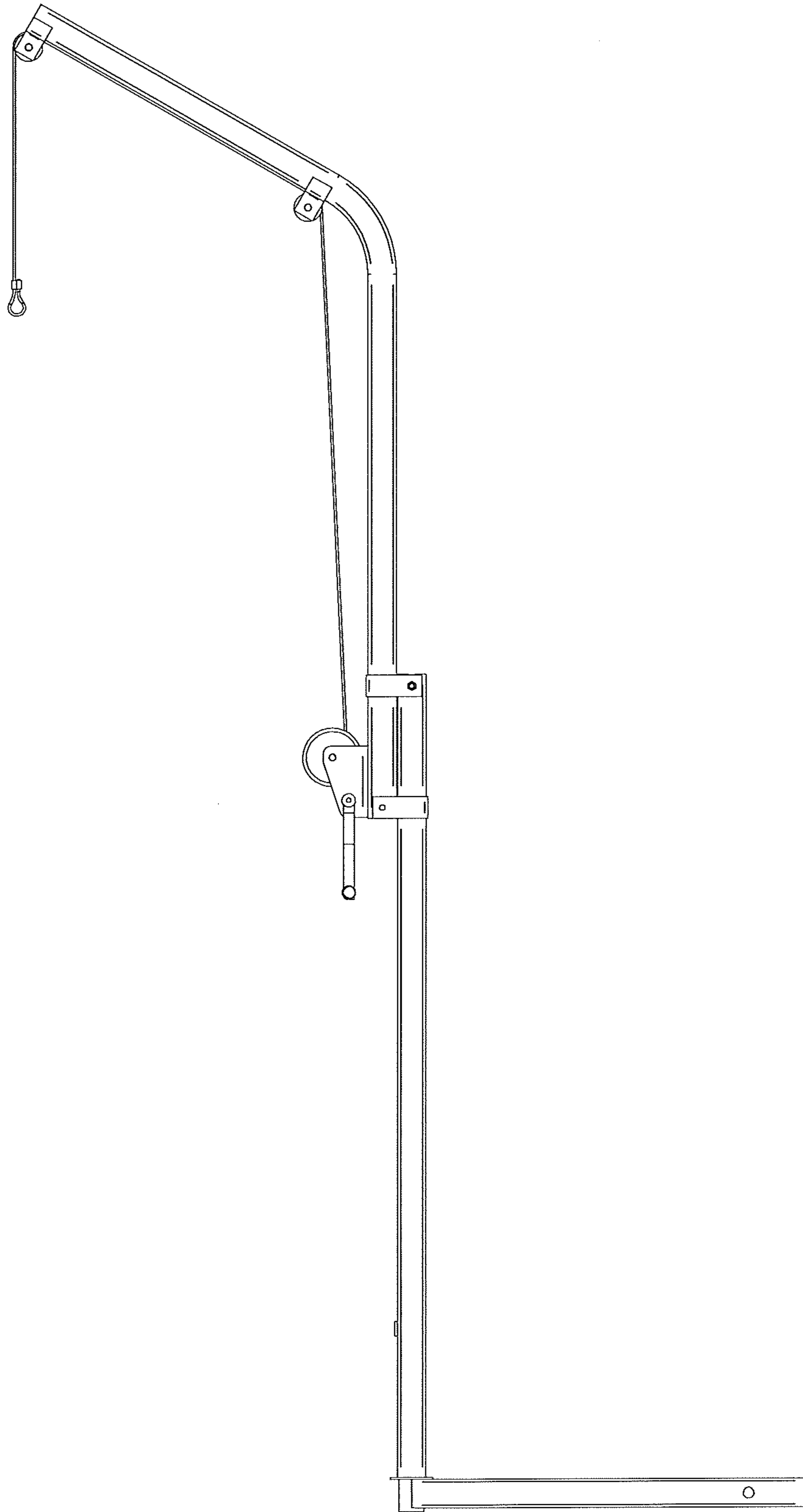


FIG. 6

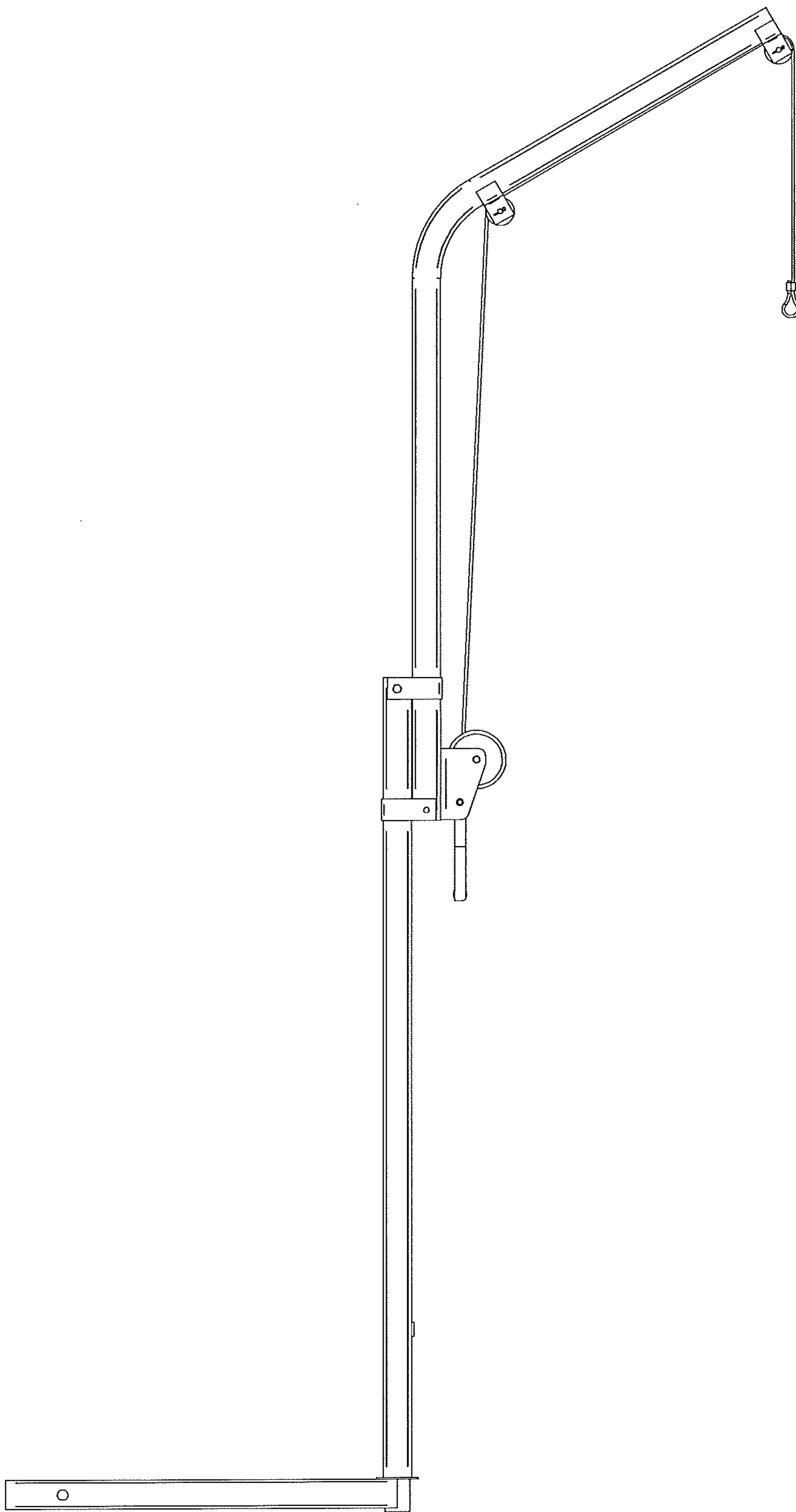


FIG. 7

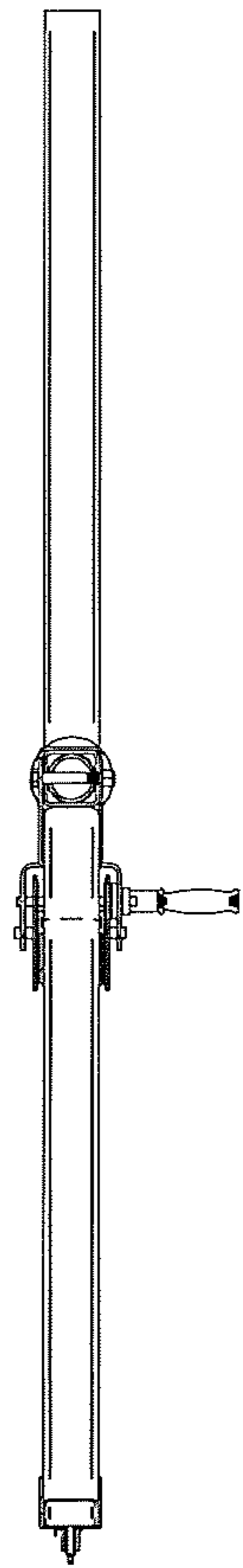


FIG. 8

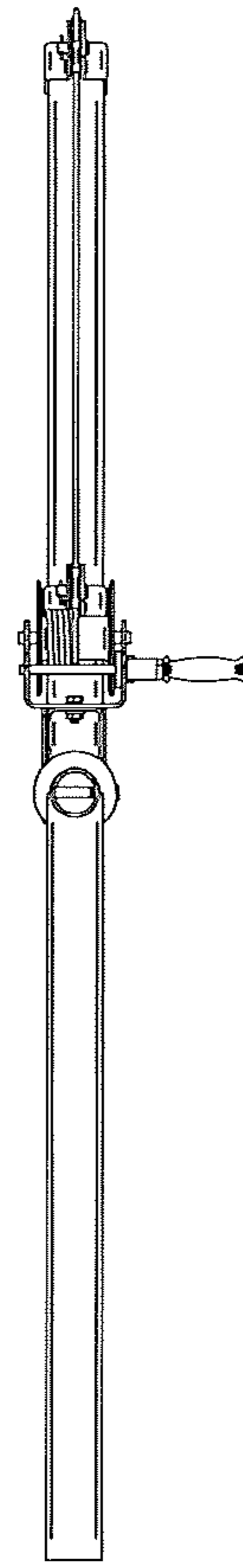


FIG. 9