



US00D758253S

(12) **United States Design Patent**
Brzustowicz et al.

(10) **Patent No.:** **US D758,253 S**
(45) **Date of Patent:** **** Jun. 7, 2016**

(54) **TRUCK CAB, TOY REPLICA AND/OR OTHER REPLICA**

(71) Applicant: **Daimler AG**, Stuttgart (DE)

(72) Inventors: **John Brzustowicz**, Portland, OR (US);
Paul Shead, Beaverton, OR (US);
Donald Vena, Vancouver, WA (US)

(73) Assignee: **Daimler AG**, Stuttgart (DE)

(**) Term: **14 Years**

(21) Appl. No.: **29/509,784**

(22) Filed: **Nov. 21, 2014**

(30) **Foreign Application Priority Data**

May 23, 2014 (EM) 002469452-0001
May 23, 2014 (EM) 002469452-0002

(51) **LOC (10) Cl.** **12-16**

(52) **U.S. Cl.**
USPC **D12/96**

(58) **Field of Classification Search**
USPC D12/173, 196, 86, 90-92, 181;
180/69.21, 69.2, 69.22;
296/190.1-190.5, 190.8, 193.11, 37.6
CPC B62D 25/10; B62D 25/06; B62D 65/02;
B62D 25/12; B60Q 1/00
See application file for complete search history.

(56) **References Cited**

U.S. PATENT DOCUMENTS

D700,109 S * 2/2014 Brzustowicz D12/96
D711,786 S * 8/2014 Brzustowicz D12/96
D711,787 S * 8/2014 Brzustowicz D12/96
D711,788 S * 8/2014 Brzustowicz D12/96
D719,879 S * 12/2014 Ito D12/96
D735,614 S * 8/2015 Alemany D12/96

FOREIGN PATENT DOCUMENTS

GB 2513202 A 10/2014

OTHER PUBLICATIONS

“Transformers 4: Meet the upgraded Optimus Prime, new Autobots,”
Hero Complex, Los Angeles Times, May 30, 2013.
“Western Star Introduces the All-New 5700XE,” Western Star Trucks
Press Releases, Daimler Trucks North America, Sep. 11, 2014.

* cited by examiner

Primary Examiner — Melody N Brown

(74) *Attorney, Agent, or Firm* — Crowell & Moring LLP

(57) **CLAIM**

The ornamental design for a truck cab, toy replica and/or
other replica, as shown and described.

DESCRIPTION

This application contains subject matter related to the follow-
ing U.S. design patent applications:

Application Ser. No. 29/510,231, filed Nov. 26, 2014 and
entitled “headlight for a Vehicle;”
Application Ser. No. 29/510,232, filed Nov. 26, 2014 and
entitled “Front Bumper spoiler for a Vehicle;”
Application Ser. No. 29/510,233, filed Nov. 26, 2014 and
entitled “Radiator Grill for a Vehicle;”
Application Ser. No. 29/510,234, filed Nov. 26, 2014 and
entitled “Hood for a Vehicle;”
Application Ser. No. 29/510,236, filed Nov. 26, 2014 and
entitled “Fairing for a Vehicle;”
Application Ser. No. 29/510,237, filed Nov. 26, 2014 and
entitled “Tank Fairing for a Vehicle;”
Application Ser. No. 29/510,238, filed Nov. 26, 2014 and
entitled “Front Bumper end cap for a Vehicle;”
Application Ser. No. 29/510,239, filed Nov. 26, 2014 and
entitled “Radiator Grill Surround for a Vehicle;” and
Application Ser. No. 29/510,242, filed Nov. 26, 2014 and
entitled “Front Bumper for a Vehicle.”

FIG. 1 is a left, front perspective view of a truck cab, toy
replica and/or other replica according to the design;

FIG. 2 is a left side view thereof;

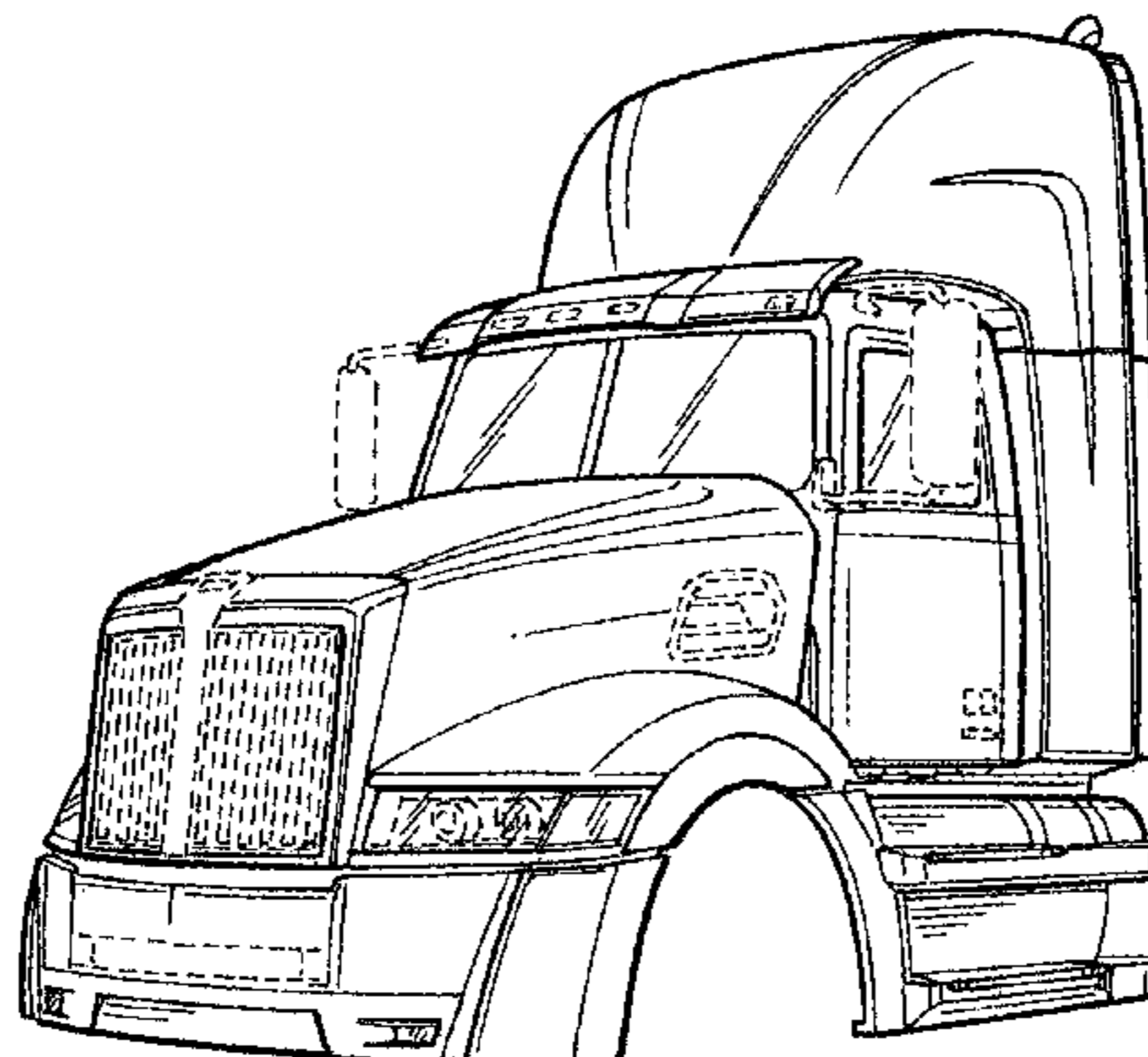
FIG. 3 is a right side view thereof;

FIG. 4 is a front view thereof; and,

FIG. 5 is a top view thereof.

The broken lines are for illustrative purposes only and form
no part of the claimed design.

1 Claim, 5 Drawing Sheets



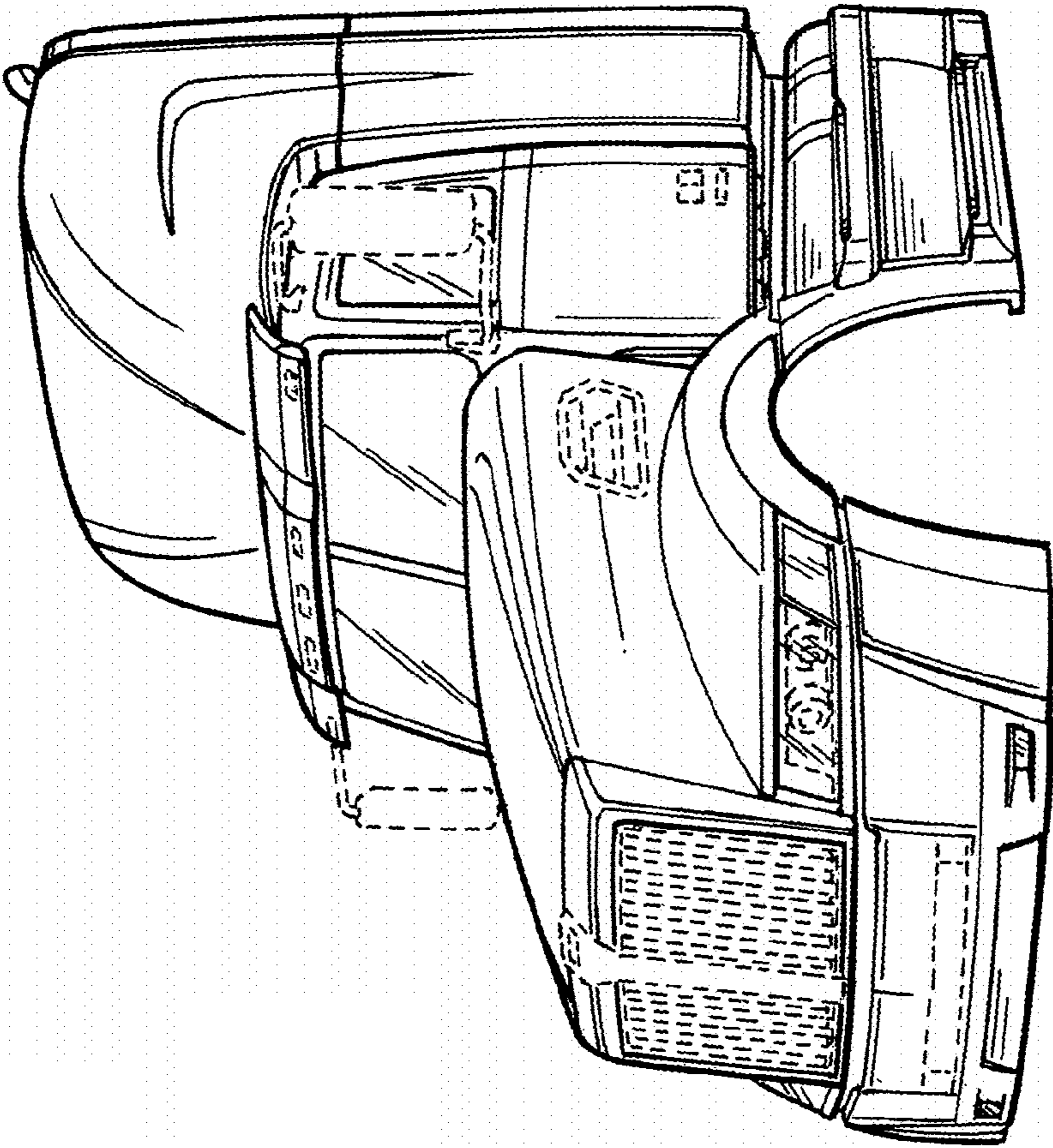


FIG. 1

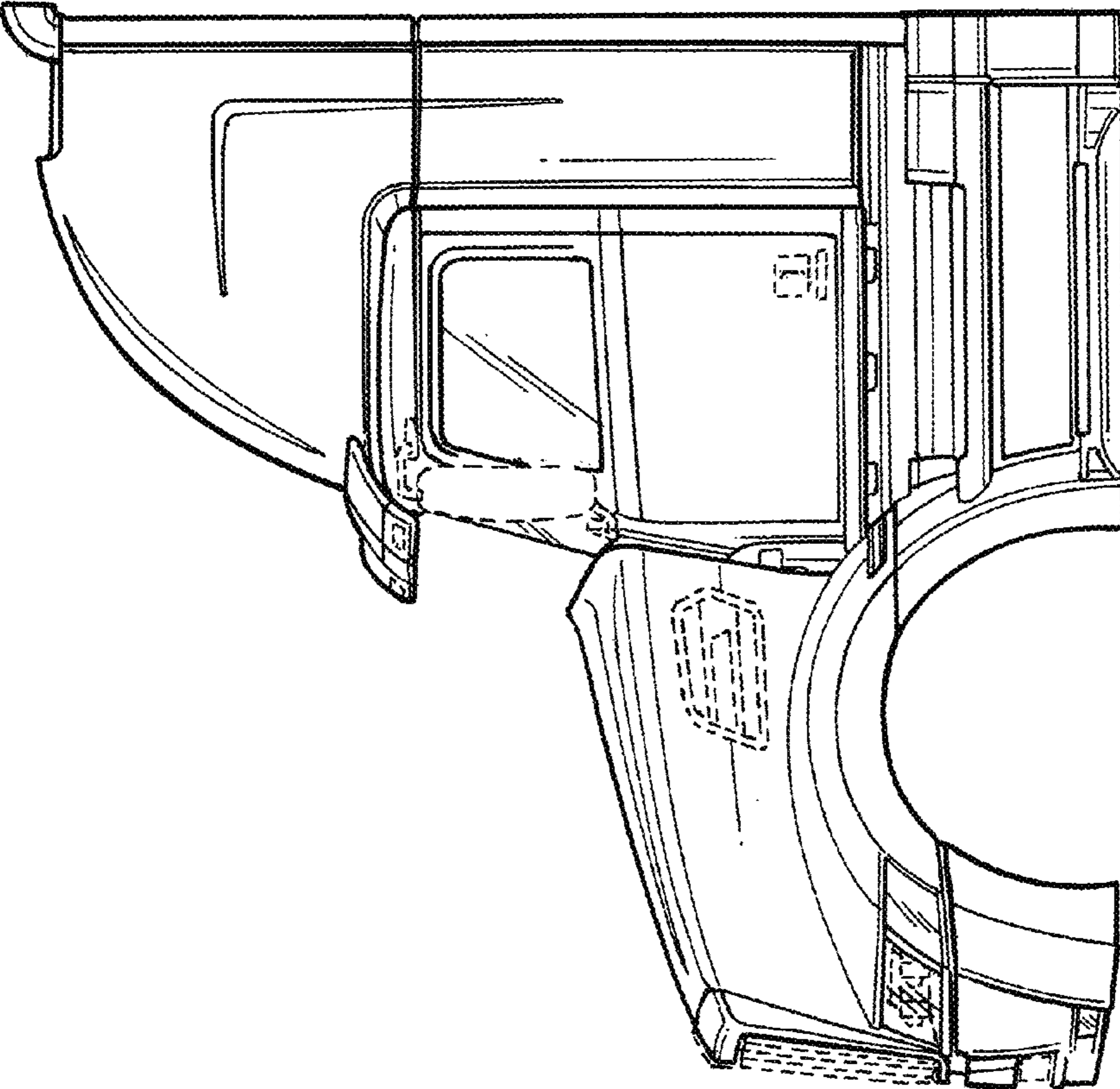


FIG. 2

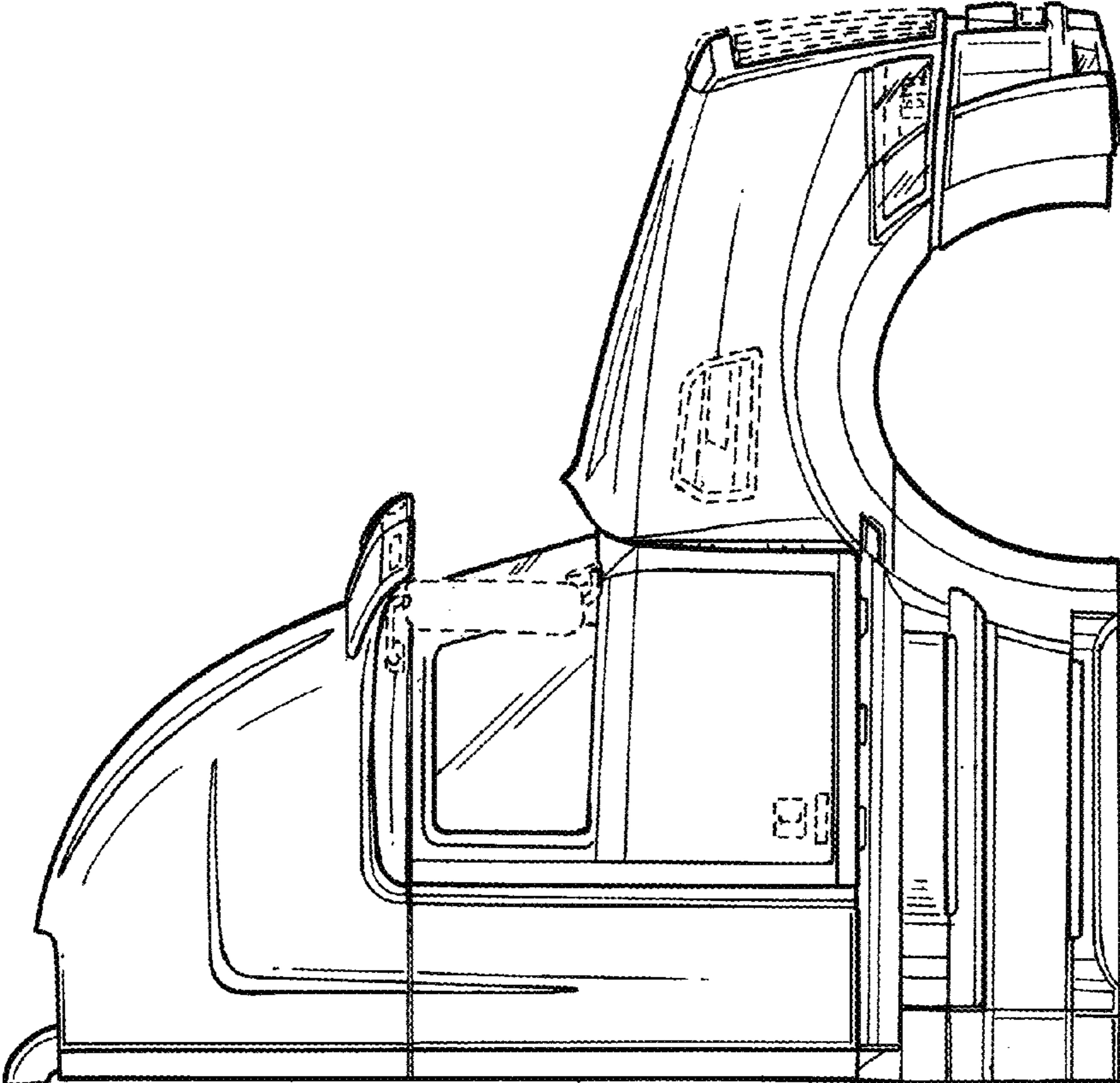


FIG. 3

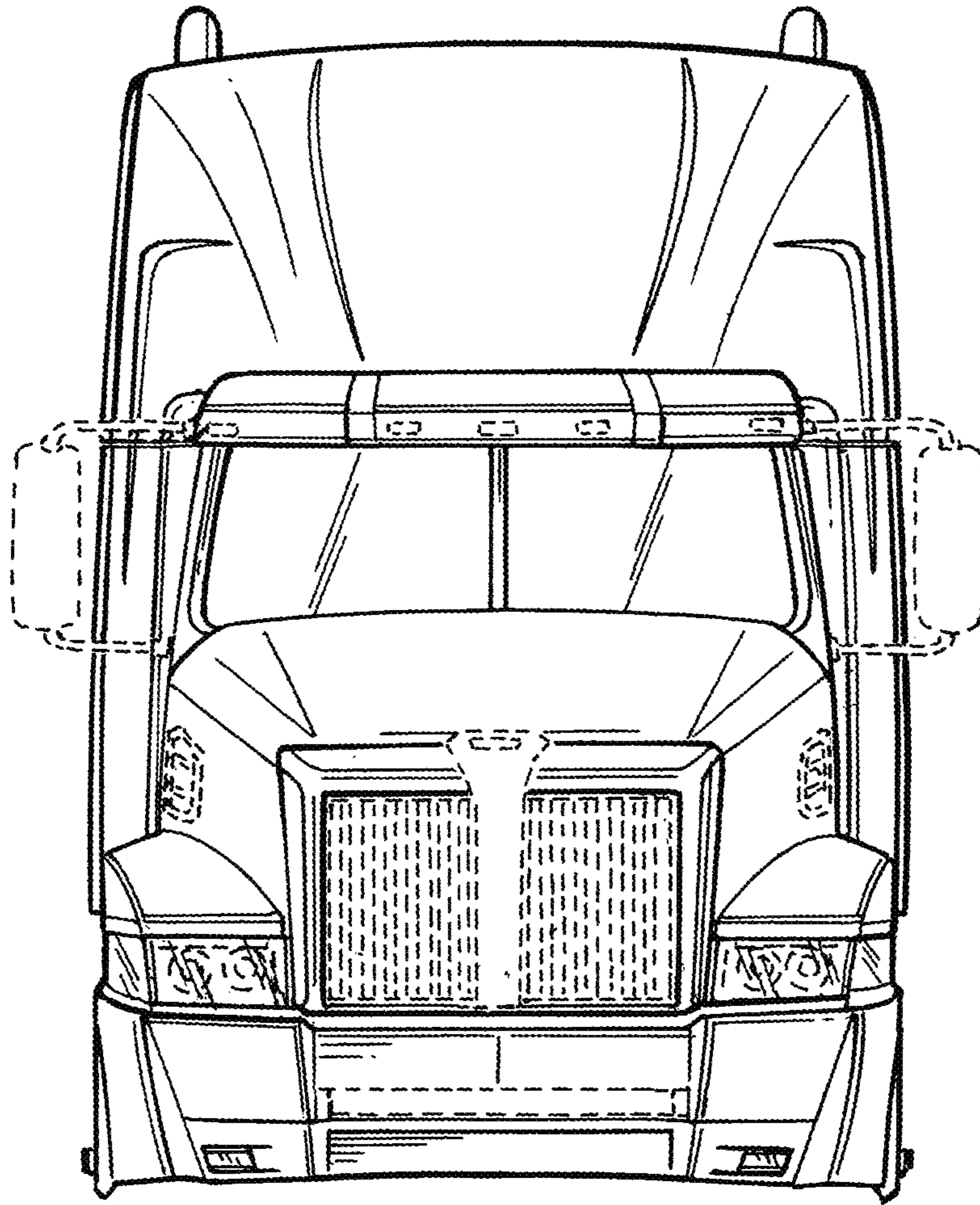


FIG. 4

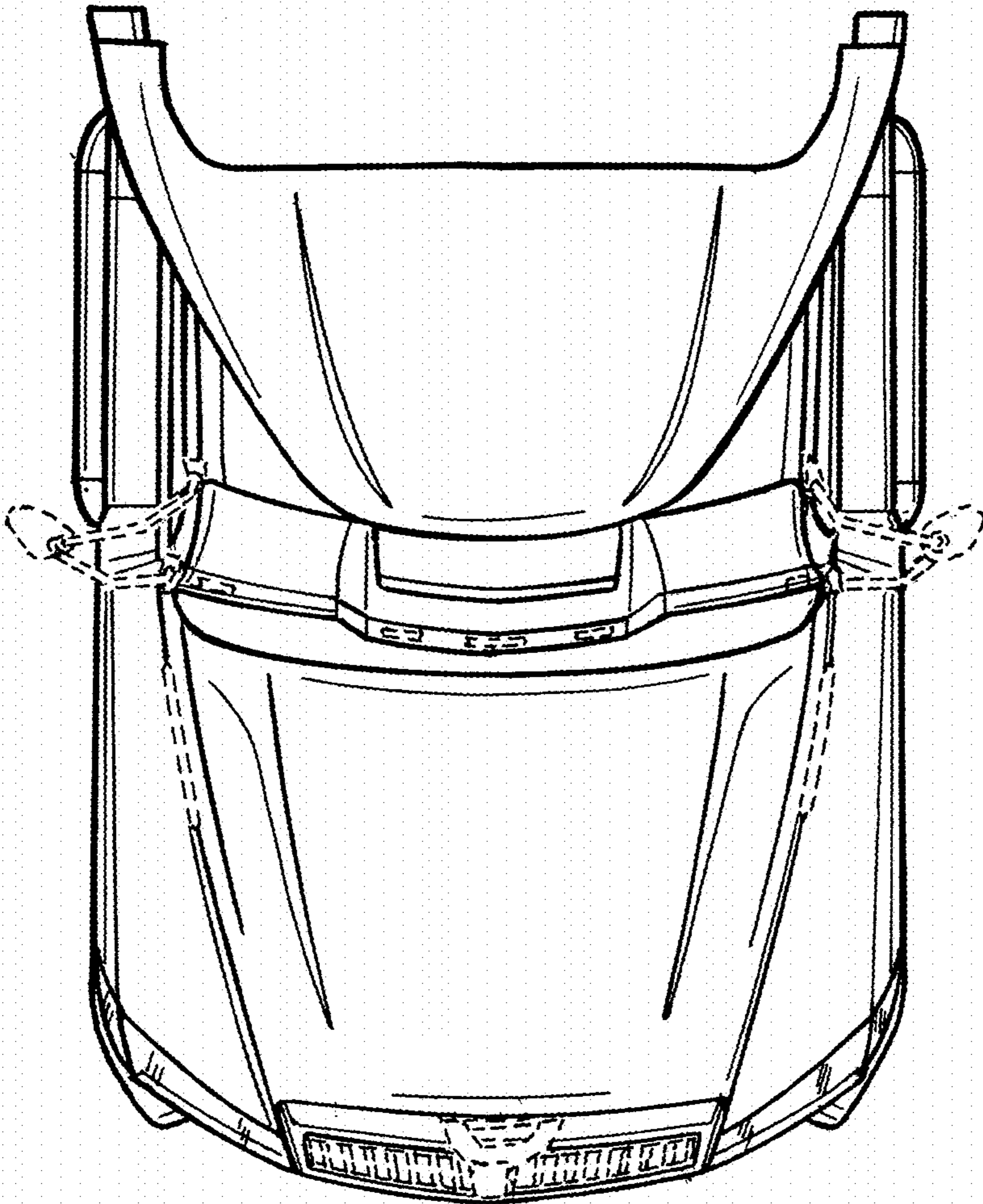


FIG. 5