



US00D758252S

(12) **United States Design Patent**  
**Murray et al.**

(10) **Patent No.:** **US D758,252 S**  
(45) **Date of Patent:** **\*\* Jun. 7, 2016**

- (54) **VEHICLE**
- (71) Applicant: **The Norman Trust**, London (GB)
- (72) Inventors: **Ian Gordon Murray**, Guildford (GB);  
**James Dowle**, Berkshire (GB)
- (73) Assignee: **THE NORMAN TRUST**, London (GB)
- (\*\*) Term: **14 Years**
- (21) Appl. No.: **29/472,415**
- (22) Filed: **Nov. 12, 2013**
- (51) **LOC (10) Cl.** ..... **12-08**
- (52) **U.S. Cl.**  
USPC ..... **D12/93**
- (58) **Field of Classification Search**  
USPC ..... D12/93, 96, 98, 99, 12, 14, 1, 3, 82;  
296/180, 183.1, 190.01; 180/89.12,  
180/89.16, 89.19  
CPC ..... B60P 1/00; B60P 1/003; B60P 1/43;  
B60P 7/00; B60P 7/02; B60P 9/00; B62D  
35/001; G09F 15/0087  
See application file for complete search history.

- D450,628 S \* 11/2001 Musso, Jr. .... D12/15
- 6,439,651 B1 \* 8/2002 Johansson ..... B62D 33/067  
180/89.12
- D466,837 S \* 12/2002 Buring ..... D12/93

(Continued)

*Primary Examiner* — Eric Goodman  
*Assistant Examiner* — Clese Moore, Jr.  
(74) *Attorney, Agent, or Firm* — Westman, Champlin &  
Koehler, P.A.; Z. Peter Sawicki; Amanda M. Prose

(57) **CLAIM**  
The ornamental design for a vehicle, as shown and described.

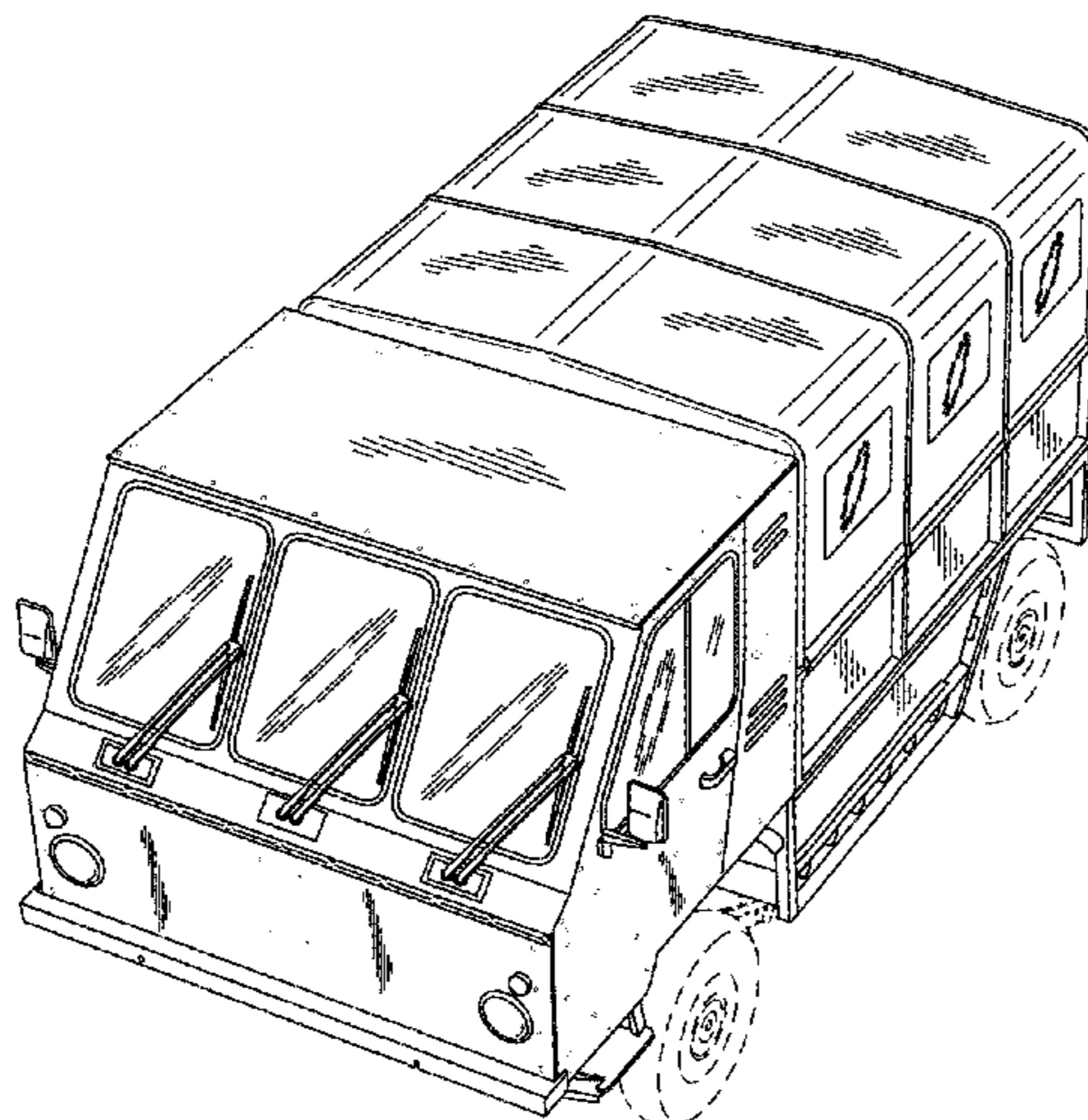
**DESCRIPTION**

FIG. 1 is a front top left perspective view is a vehicle having a canvas cover;  
FIG. 2 is a front top left perspective view thereof without the canvas cover;  
FIG. 3 is a front elevational view thereof with the canvas cover;  
FIG. 4 is a front elevational view thereof without the canvas cover;  
FIG. 5 is a left side elevational view thereof with a canvas cover;  
FIG. 6 is a left side elevational view thereof without a canvas cover;  
FIG. 7 is a top rear left perspective view thereof with a canvas cover;  
FIG. 8 is a top rear left perspective view thereof without a canvas cover;  
FIG. 9 is rear elevational view thereof with a canvas cover;  
FIG. 10 is a rear elevational view thereof without a canvas cover;  
FIG. 11 is a right side elevational view thereof with a canvas cover;  
FIG. 12 is a right side elevational view thereof without a canvas cover;  
FIG. 13 is a top plan view thereof with a canvas cover; and,  
FIG. 14 is a top plan view thereof without a canvas cover.

**1 Claim, 14 Drawing Sheets**

(56) **References Cited**  
U.S. PATENT DOCUMENTS

- D145,414 S \* 8/1946 Allen ..... 296/190.01
- D266,756 S \* 11/1982 Magnini ..... D12/98
- 4,704,046 A \* 11/1987 Yant ..... E01C 23/06  
404/109
- D302,408 S \* 7/1989 Yant ..... D12/1
- 5,076,378 A \* 12/1991 Lagace ..... B60G 5/00  
180/6.7
- D335,836 S \* 5/1993 Lagace ..... D12/3
- D423,411 S \* 4/2000 Takei ..... D12/93
- D423,412 S \* 4/2000 Sacco ..... D12/96
- D426,493 S \* 6/2000 Mertins ..... D12/93
- D431,498 S \* 10/2000 Smith ..... D12/15
- D442,519 S \* 5/2001 Sacco ..... D12/93
- D443,576 S \* 6/2001 Hayashi ..... D12/196
- D450,627 S \* 11/2001 Musso, Jr. .... D12/15



(56)

**References Cited**

U.S. PATENT DOCUMENTS

D475,949 S \* 6/2003 Honer ..... D12/96  
D549,616 S \* 8/2007 Pfeiffer ..... D12/96  
D550,127 S \* 9/2007 Pfeiffer ..... D12/96  
D567,885 S \* 4/2008 Amadio ..... D21/559  
D614,999 S \* 5/2010 Schneider ..... D12/93

D628,125 S \* 11/2010 Nemoto ..... D12/96  
D643,340 S \* 8/2011 Pottieri ..... D12/98  
D652,353 S \* 1/2012 Cohen ..... D12/93  
D653,994 S \* 2/2012 Fukushima ..... D12/96  
D656,866 S \* 4/2012 Wise ..... D12/93  
8,616,620 B2 \* 12/2013 Clark ..... B60J 5/125  
296/146.4

\* cited by examiner

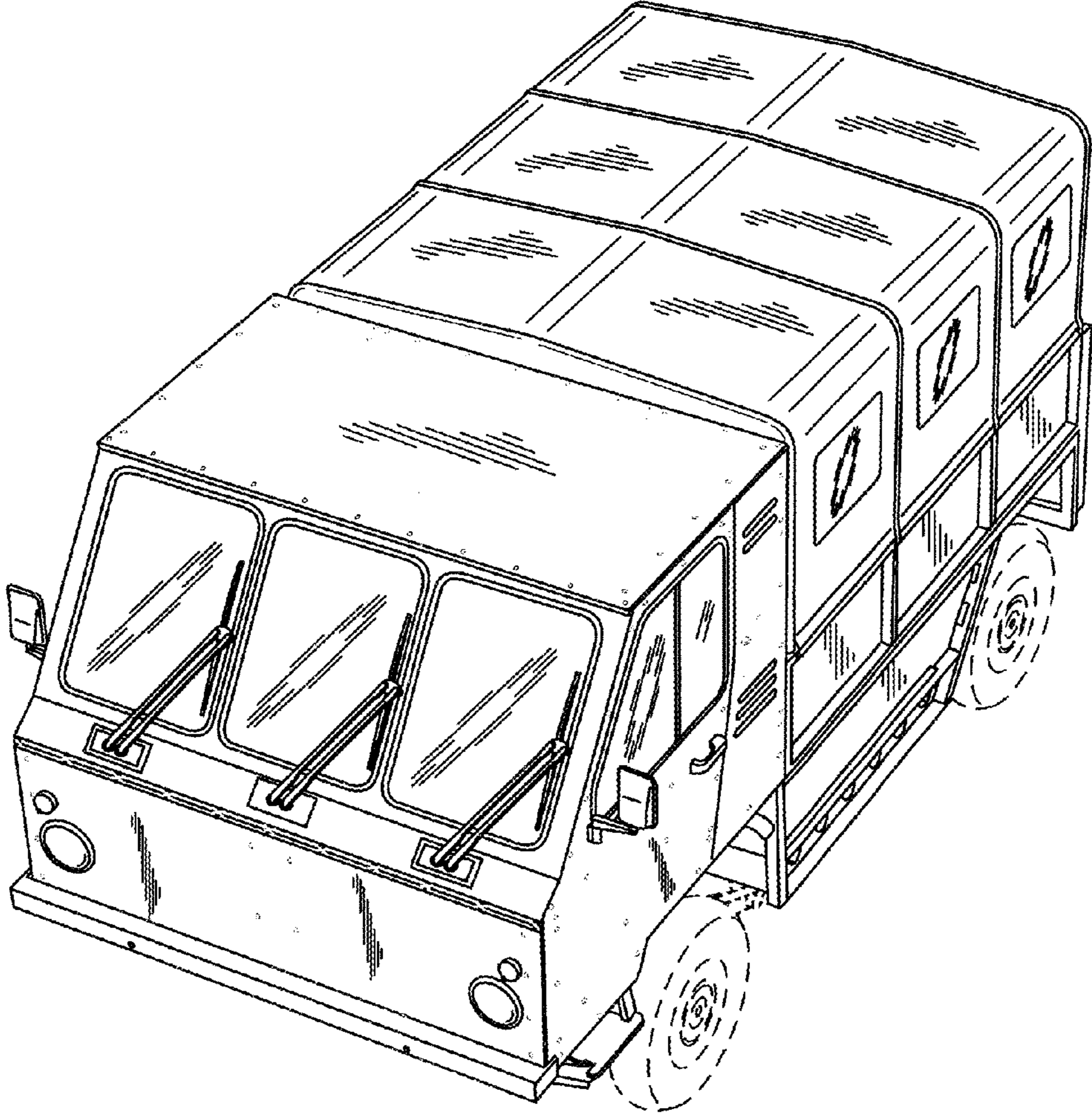


Fig. 1

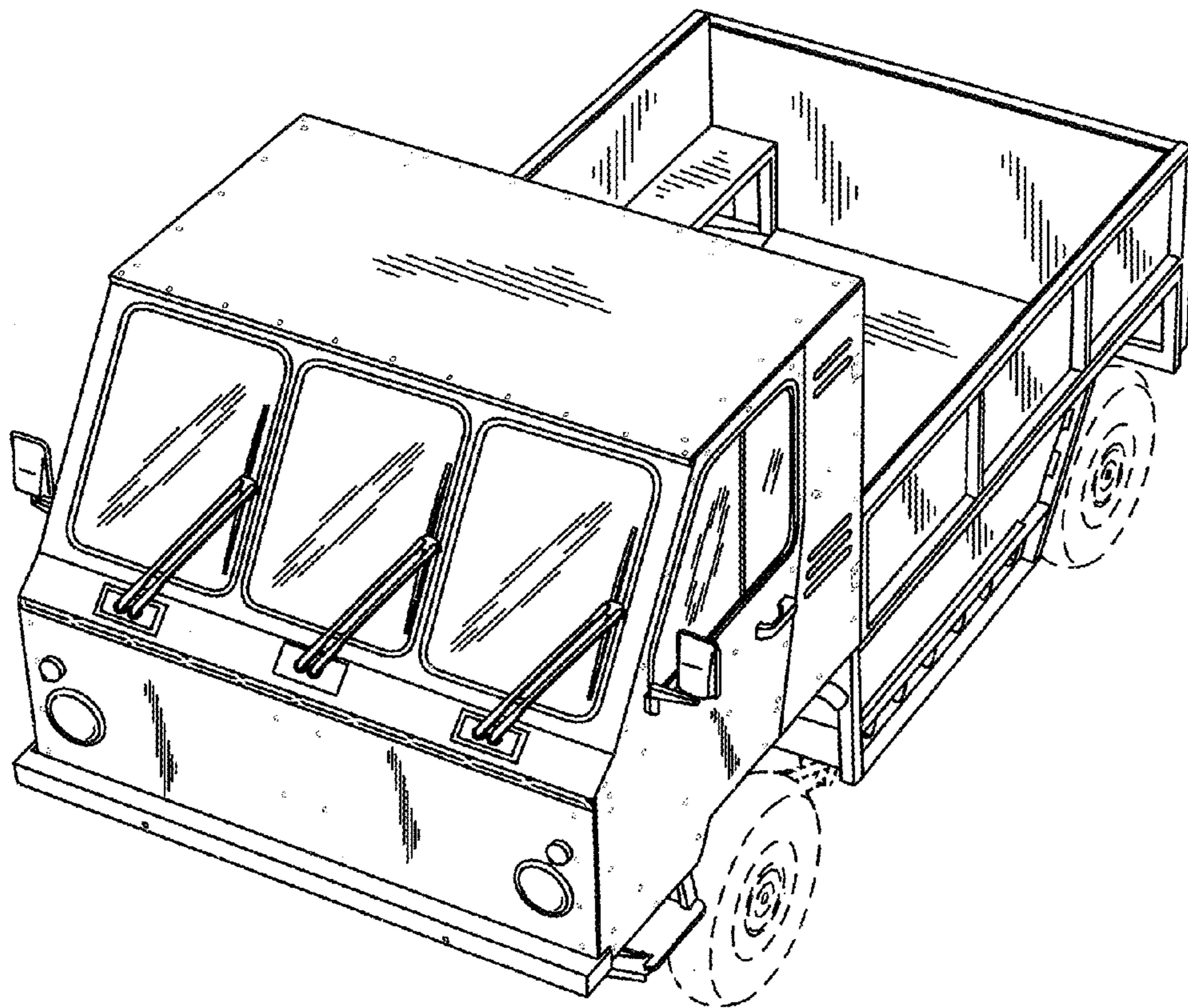


Fig. 2

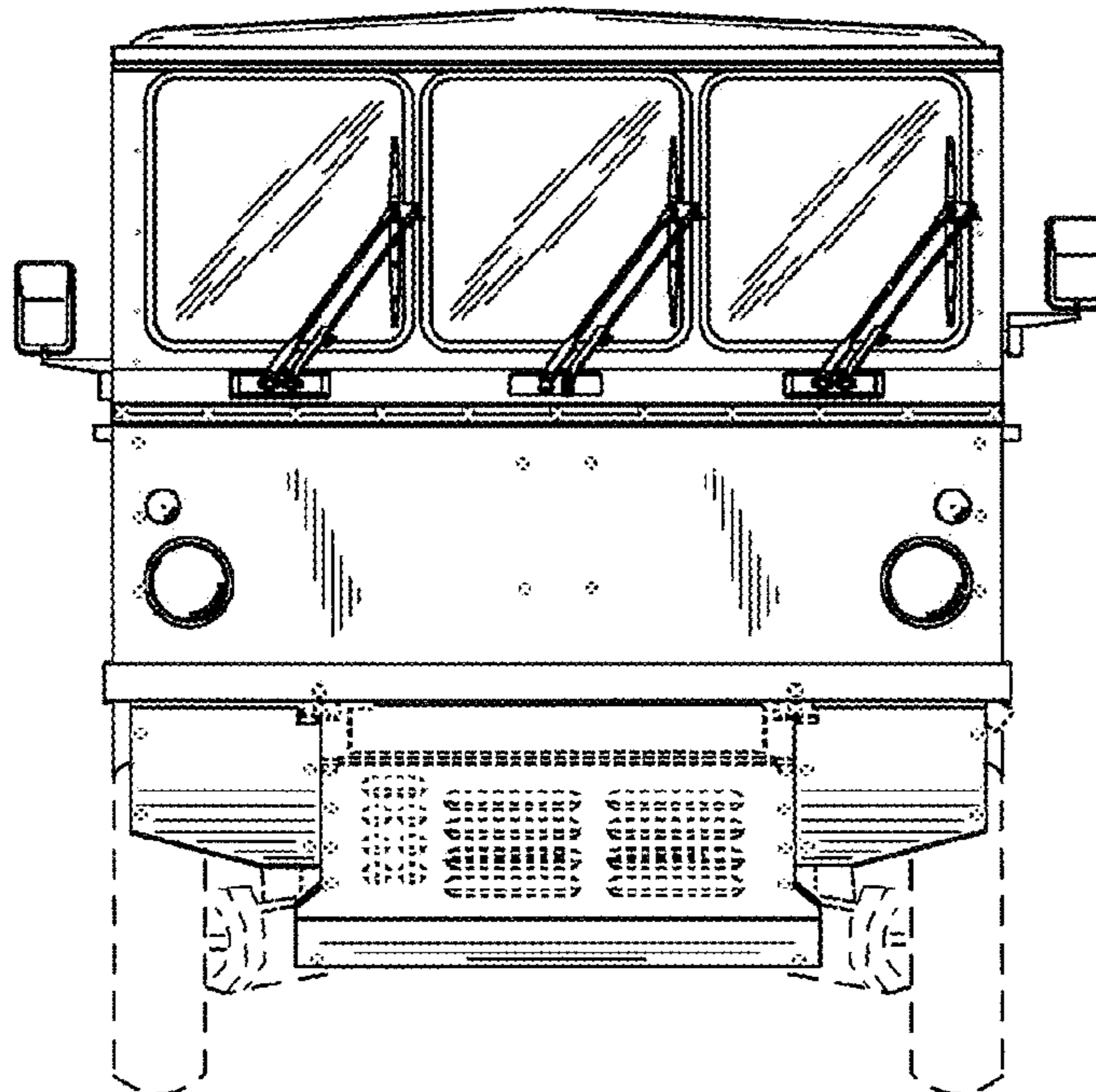


Fig. 3

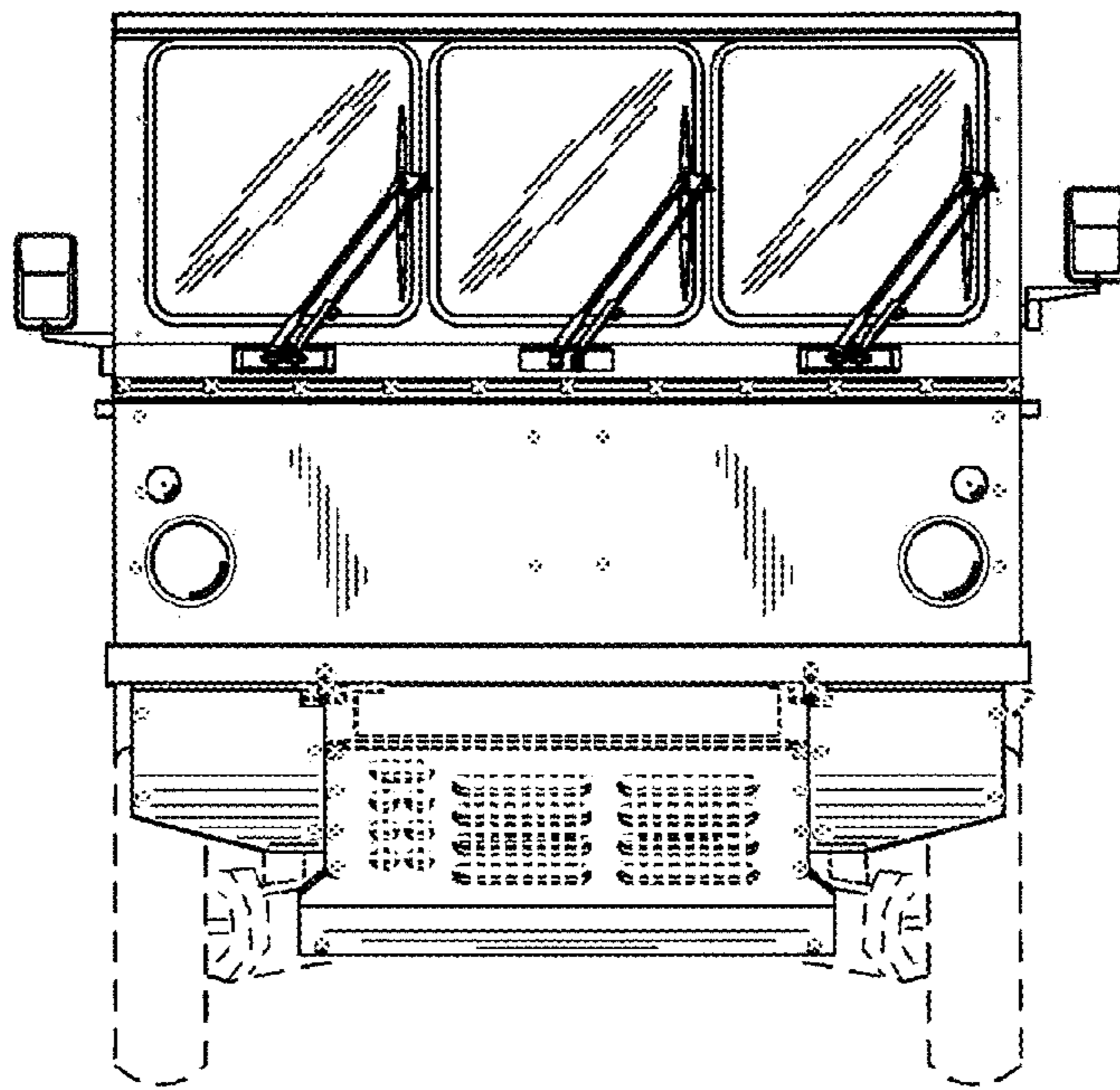


Fig. 4

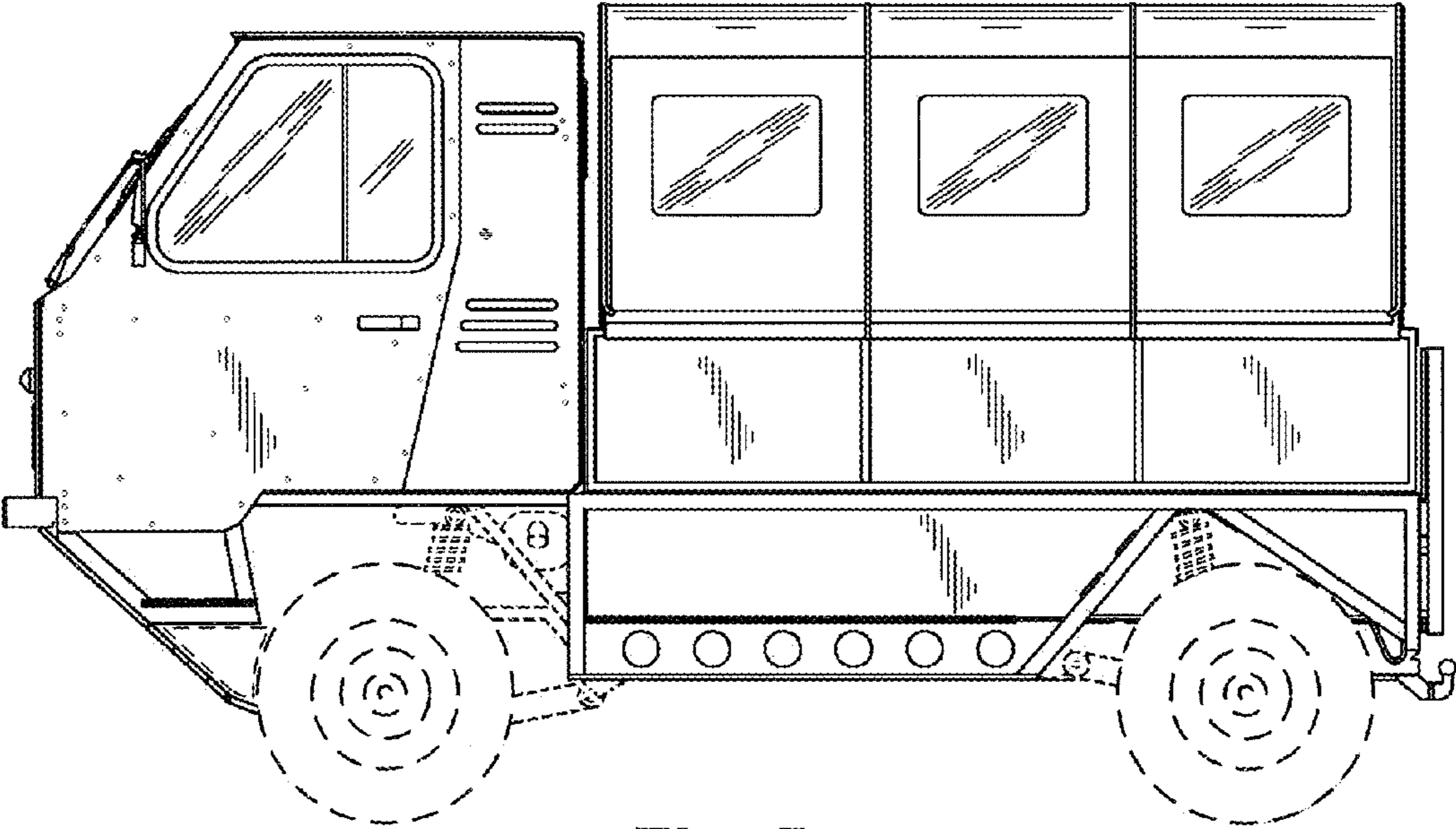


Fig. 5

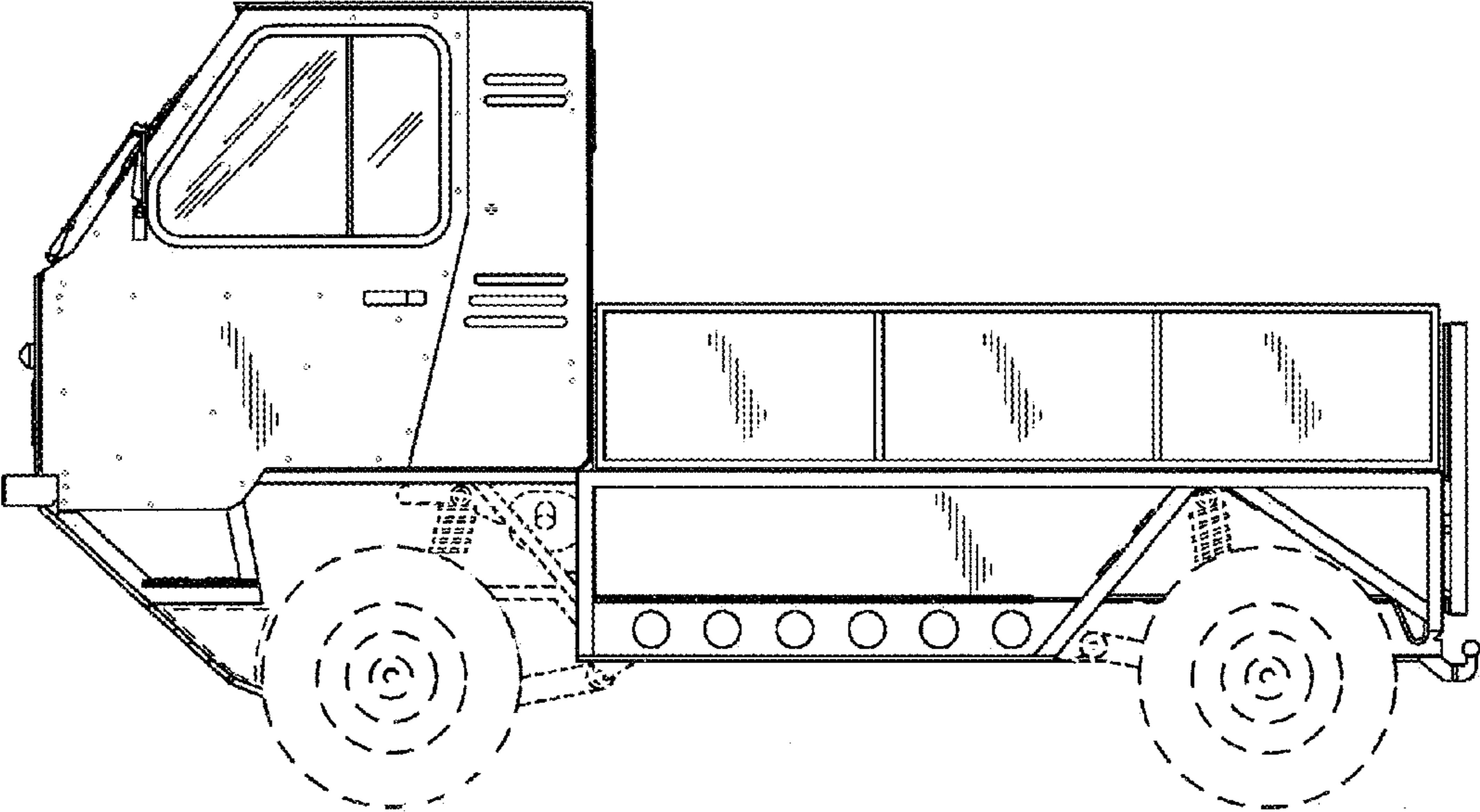


Fig. 6



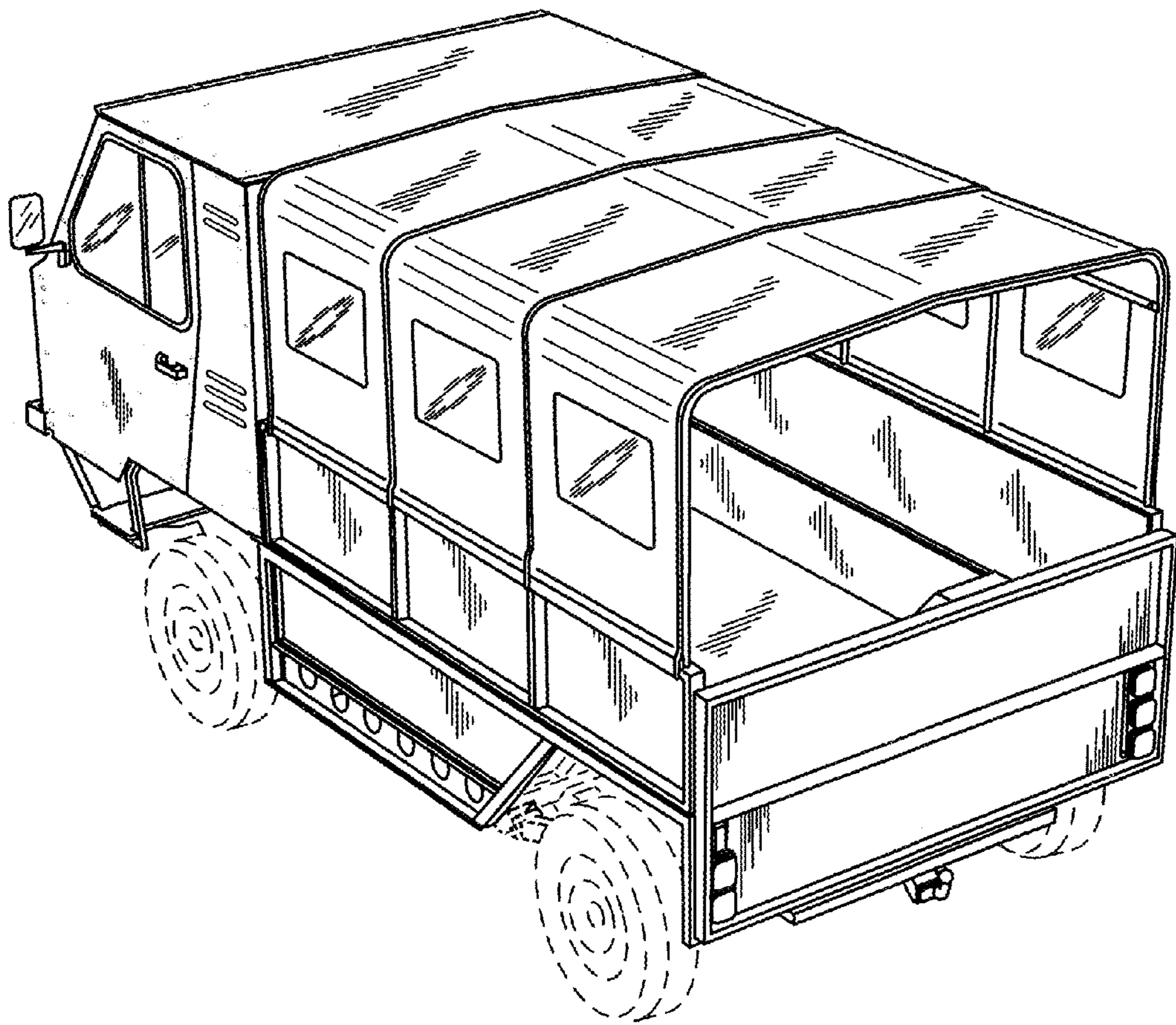


Fig. 7

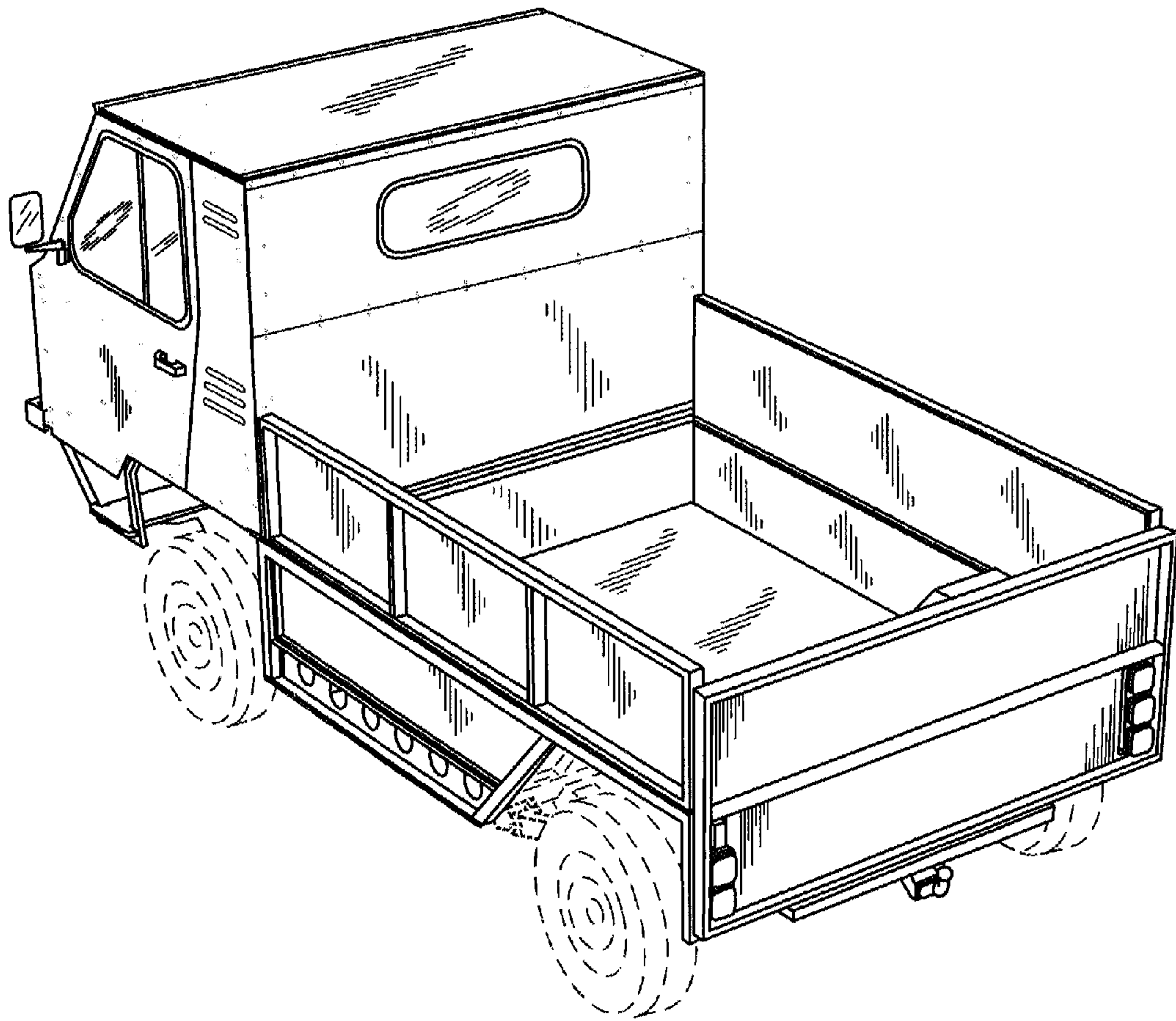


Fig. 8

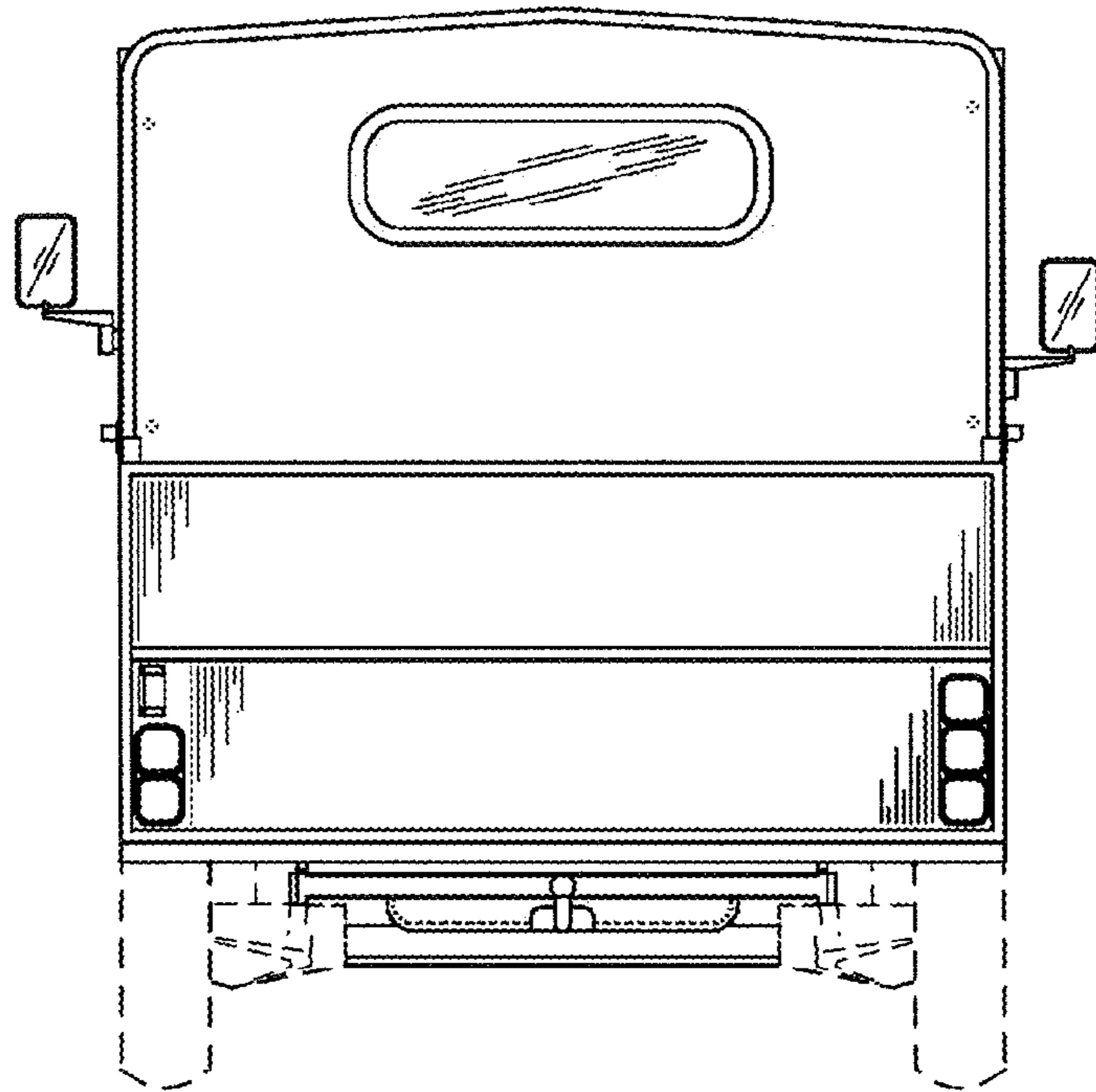


Fig. 9

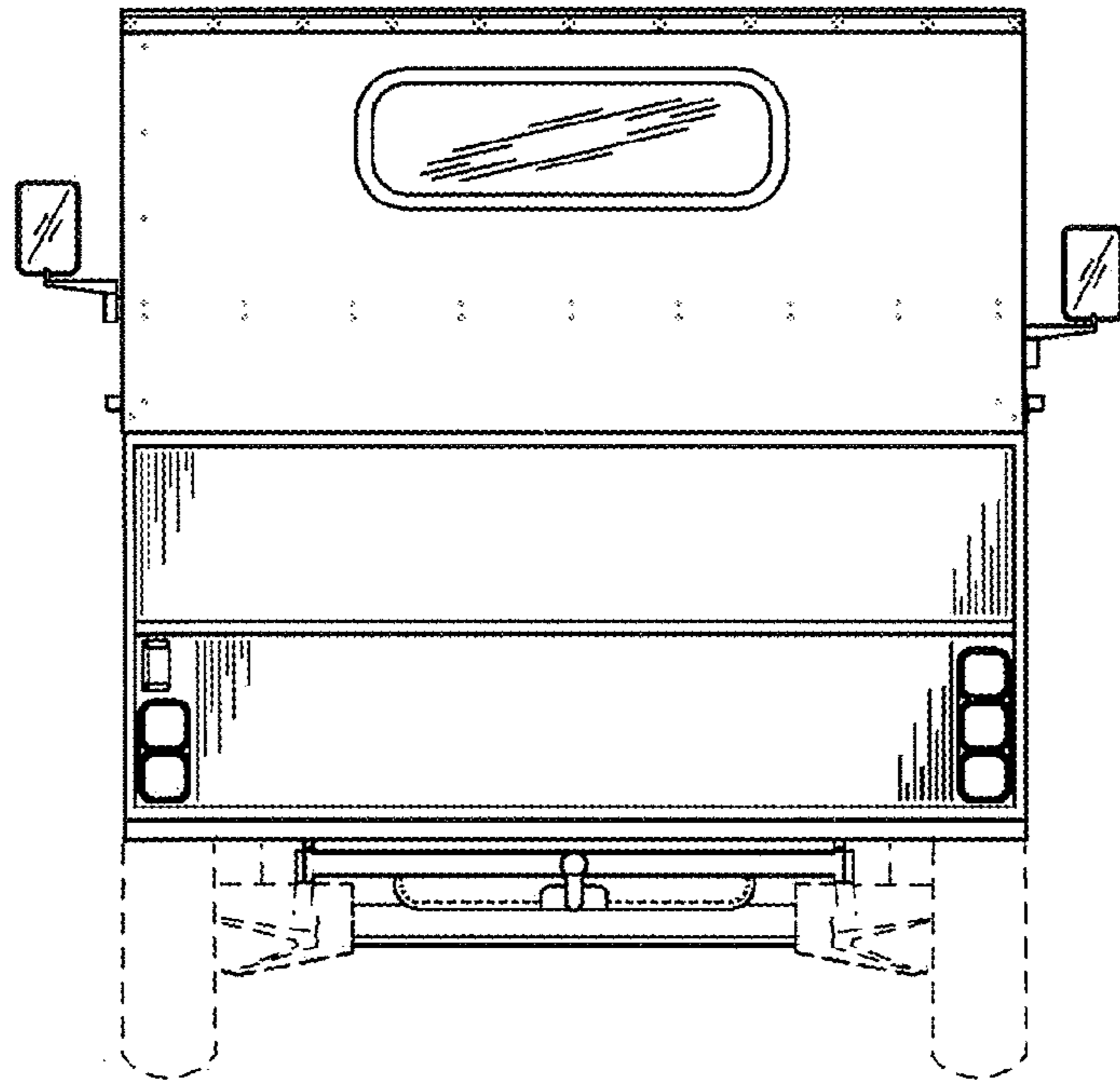


Fig. 10

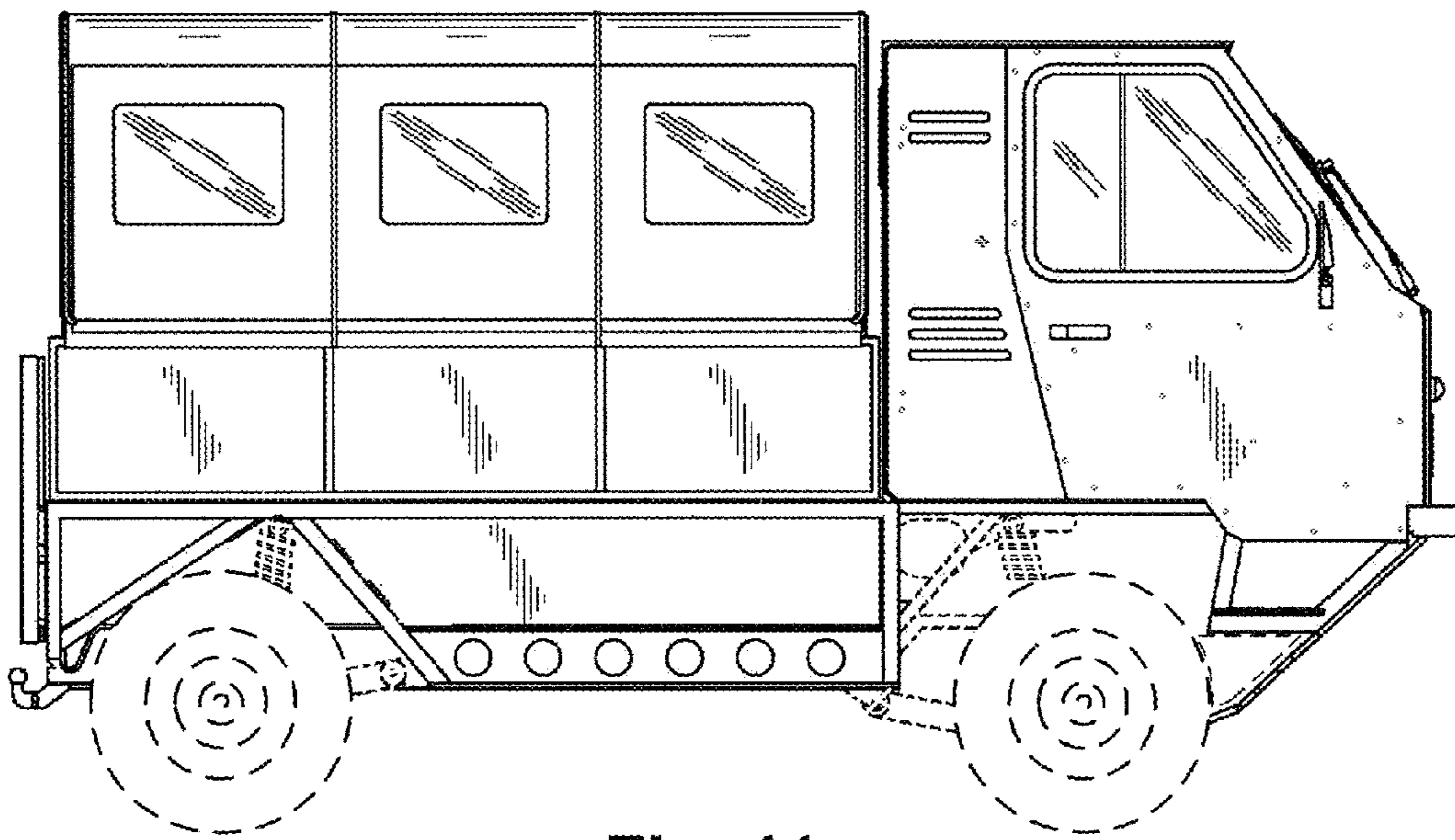


Fig. 11

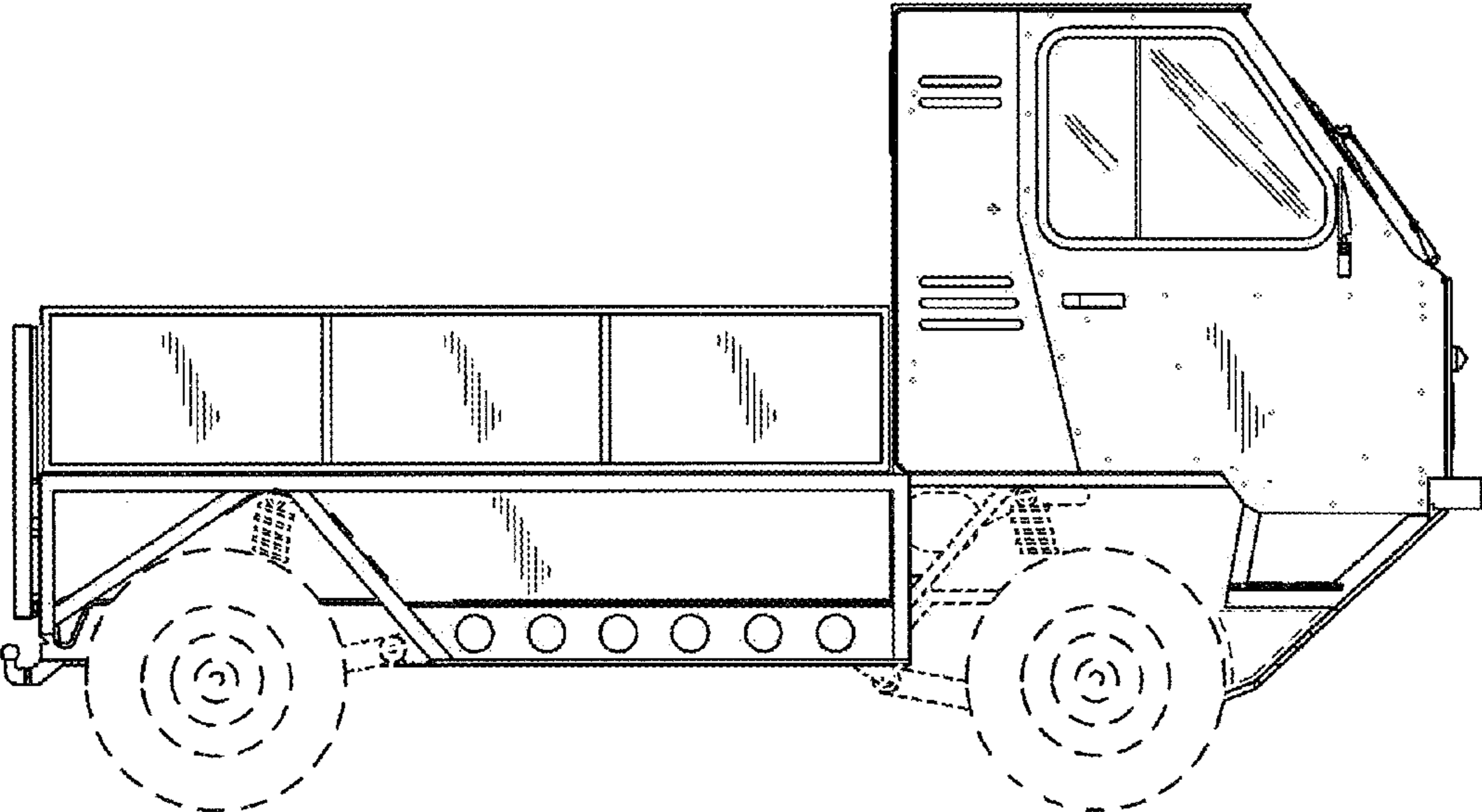


Fig. 12

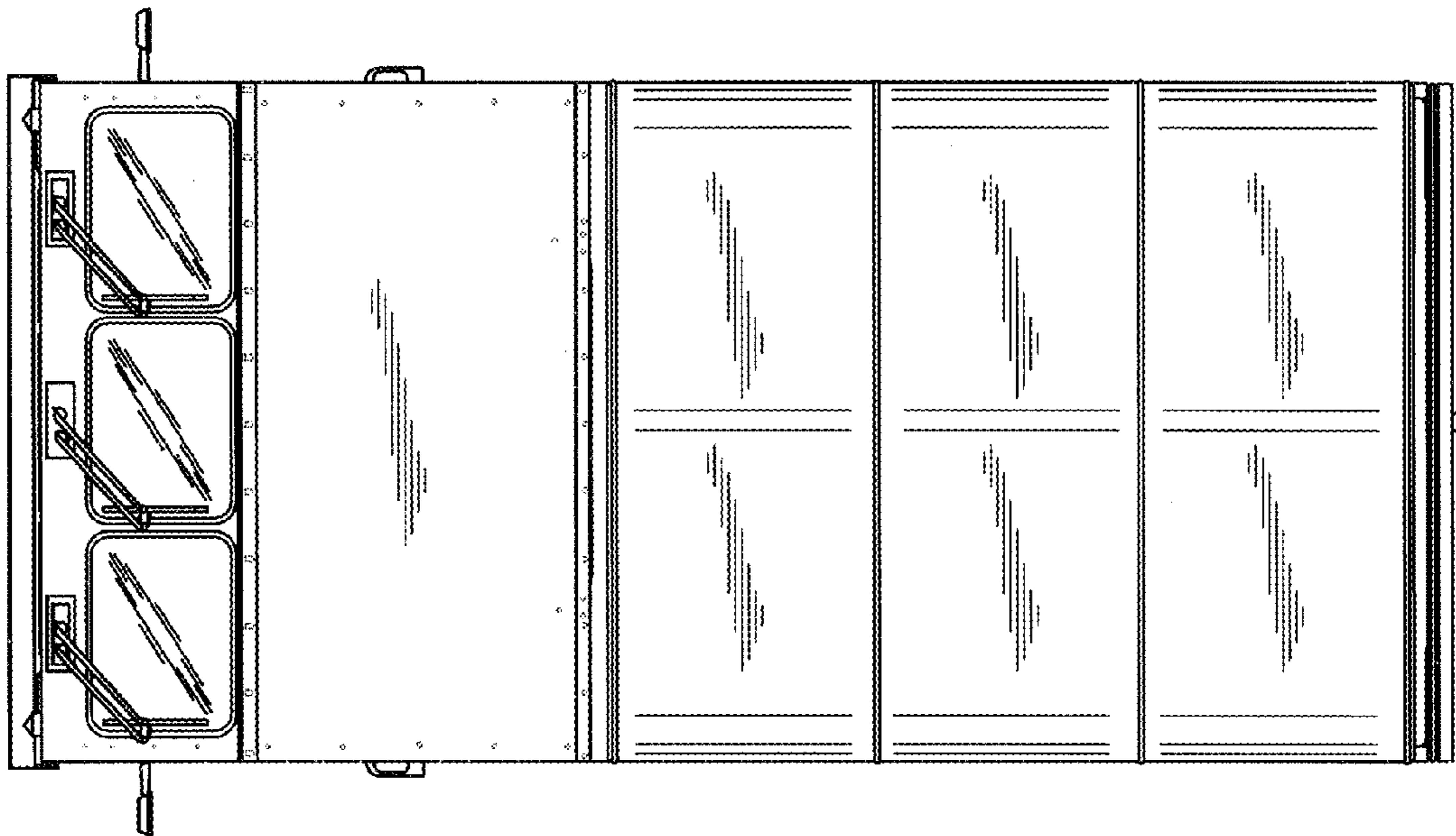


Fig. 13

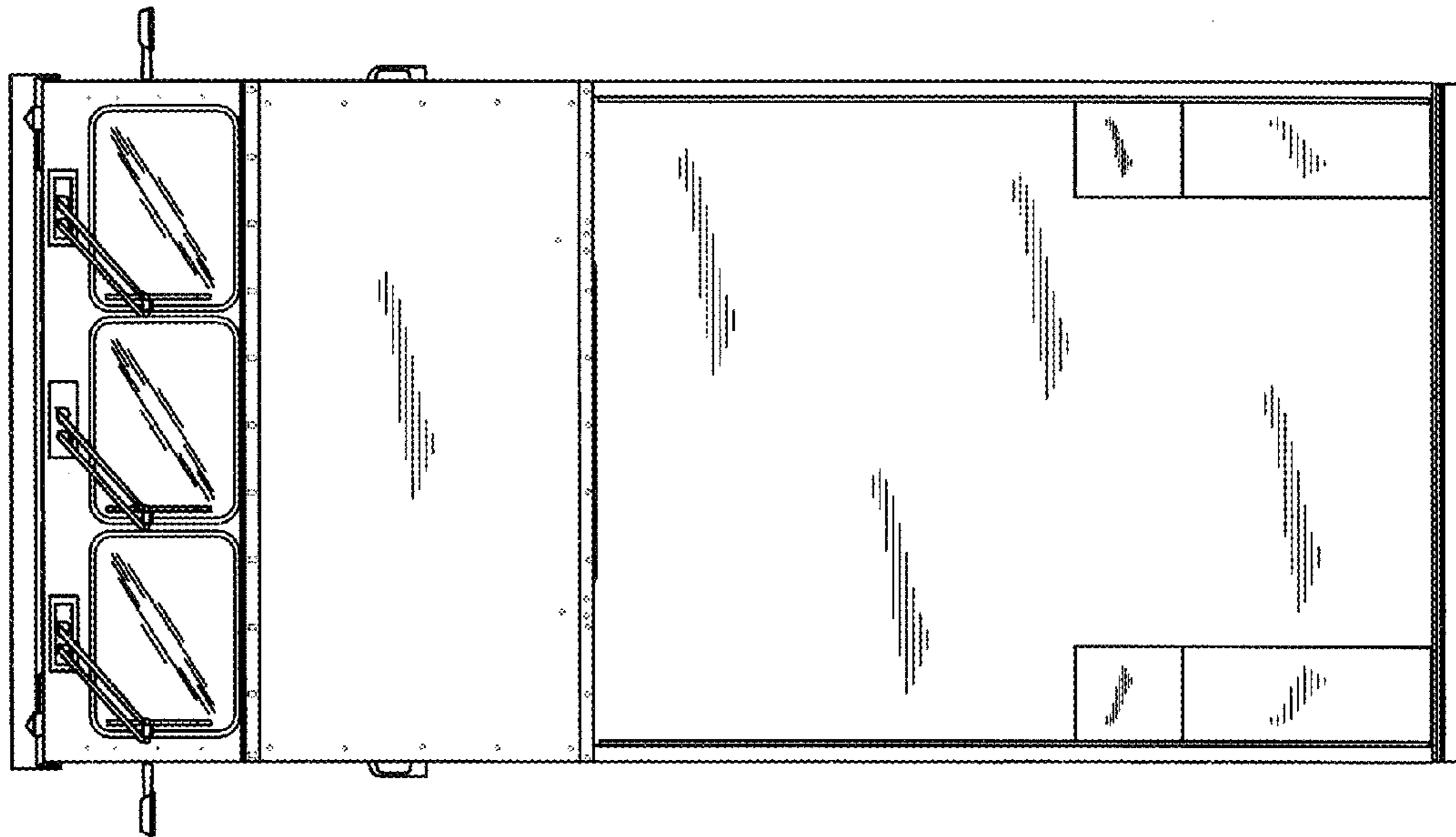


Fig. 14