



US00D758247S

(12) **United States Design Patent**
Nurnberger et al.

(10) **Patent No.:** **US D758,247 S**
(45) **Date of Patent:** **** Jun. 7, 2016**

(54) **AUTOMOBILE OR REPRESENTATION THEREOF**

5,478,127 A 12/1995 Chase
5,482,336 A 1/1996 Rouse et al.
5,503,444 A 4/1996 Rouse et al.
D395,027 S 6/1998 Wittine

(71) Applicant: **Aston Martin Lagonda Limited**,
Warwick, Warwickshire (GB)

(Continued)

(72) Inventors: **Miles Nurnberger**, Warwick (GB); **Sam Holgate**, Warwick (GB)

FOREIGN PATENT DOCUMENTS

DE 2727517 A1 12/1978
DE 4321969 A1 2/1994

(73) Assignee: **ASTON MARTIN LAGONDA LIMITED**, Gaydon (GB)

(Continued)

(**) Term: **14 Years**

OTHER PUBLICATIONS

(21) Appl. No.: **29/472,845**

Vijayenthiran, Viknesh. "Aston Martin Builds and Sells Two CC100 Speedsters: Report." Motor Authority., Jul. 26, 2013 [online], [retrieved on Sep. 5, 2014]. Retrieved from the Internet <URL: http://www.motorauthority.com/news/1085797_aston-martin-builds-and-sells-two-cc100-speedsters-report>.*

(22) Filed: **Nov. 15, 2013**

(Continued)

(30) **Foreign Application Priority Data**

May 15, 2013 (EM) 002238055-00001
May 15, 2013 (EM) 002238055-00002
May 15, 2013 (EM) 002238055-00005
May 16, 2013 (EM) 002238527-00001

Primary Examiner — Philip S Hyder

Assistant Examiner — Darlington Ly

(74) *Attorney, Agent, or Firm* — Dorsey & Whitney LLP

(51) **LOC (10) Cl.** **12-08**

(57) **CLAIM**

(52) **U.S. Cl.**
USPC **D12/92**

We claim the ornamental design for an automobile or representation thereof, as shown and described.

(58) **Field of Classification Search**

DESCRIPTION

USPC D12/86, 88, 90, 91, 92; D21/424, 433, D21/434; 296/37.6, 181.1, 181.5, 183.1
CPC B62D 35/00; B62D 35/005; B62D 35/02
See application file for complete search history.

FIG. 1 is a top-right isometric view of an automobile or representation thereof in accordance with the present design. FIG. 2 is a top plan view thereof. FIG. 3 is a right side elevation view thereof. FIG. 4 is a left side elevation view thereof. FIG. 5 is a front elevation view thereof; and, FIG. 6 is a rear elevation view thereof.

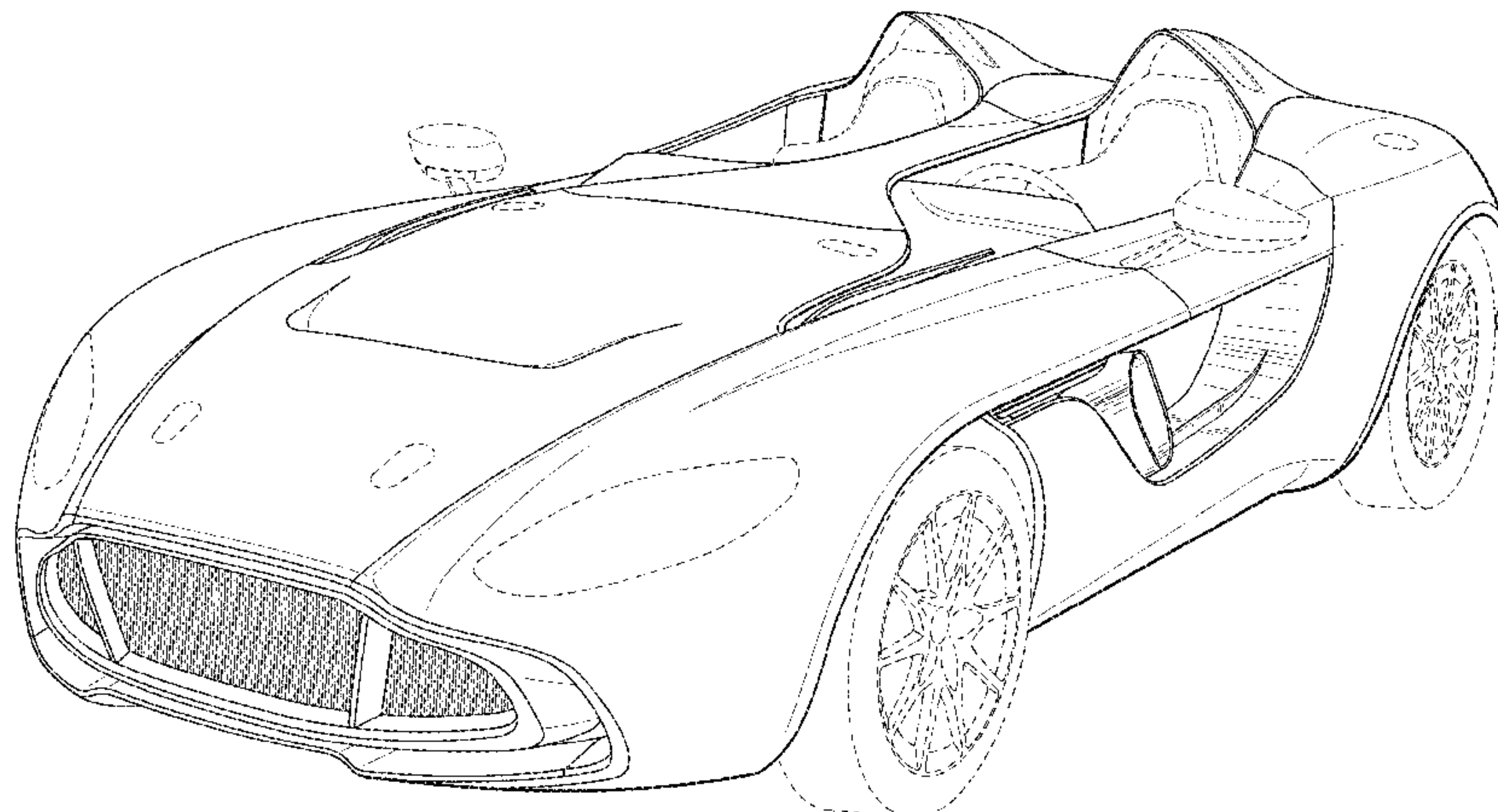
The broken lines shown in the drawings are included for the purpose of illustrating portions of the automobile or representation thereof that form no part of the claimed design.

(56) **References Cited**

U.S. PATENT DOCUMENTS

4,917,203 A 4/1990 Sacco et al.
4,944,540 A 7/1990 Mansoor et al.
D334,977 S 4/1993 Avari
5,205,597 A 4/1993 Chase
RE34,907 E 4/1995 Gross
5,403,048 A 4/1995 Ekladyous et al.

1 Claim, 5 Drawing Sheets



(56)

References Cited

U.S. PATENT DOCUMENTS

5,880,394 A 3/1999 Kim
D415,081 S 10/1999 Wittine
D431,505 S 10/2000 Kitamura et al.
6,206,438 B1 3/2001 Pueyo
D447,983 S 9/2001 Stoddard et al.
D456,313 S * 4/2002 Walling et al. D12/92
6,405,819 B1 6/2002 Ohkura et al.
D475,662 S 6/2003 Koizumi et al.
6,702,343 B1 3/2004 Stull
6,921,117 B2 7/2005 Rackham et al.
D510,302 S 10/2005 Sugimoto
D553,544 S 10/2007 Rothman et al.
D557,184 S 12/2007 Janik
D557,641 S 12/2007 Davidson
D573,510 S 7/2008 Pininfarina
D584,198 S 1/2009 Tamura
D584,998 S 1/2009 Lamm et al.
D585,340 S 1/2009 Sinkwitz
D589,405 S 3/2009 Corradi
D589,853 S 4/2009 Saridakis et al.
D592,564 S 5/2009 Kasumoto et al.
D603,755 S * 11/2009 Peters D12/92
D620,396 S 7/2010 Reichman et al.
D626,465 S 11/2010 Thomas et al.
D628,942 S 12/2010 Kim
D629,718 S 12/2010 Reichman et al.
D629,719 S 12/2010 Reichman et al.
D629,725 S 12/2010 Reichman et al.
D630,140 S 1/2011 Reichman et al.
D635,065 S 3/2011 Seo
D651,142 S 12/2011 Fushimi
D664,475 S * 7/2012 Takahashi D12/92
D665,313 S 8/2012 Asakura
D668,590 S 10/2012 Furst et al.
D670,203 S * 11/2012 Weil D12/92
D670,620 S 11/2012 Frei et al.
D671,457 S * 11/2012 Goto et al. D12/92
D687,348 S 8/2013 Nurnberger
D687,740 S * 8/2013 Yamanaka et al. D12/92
D691,517 S 10/2013 Kwon et al.
D692,348 S * 10/2013 Whelan D12/92
D692,350 S * 10/2013 Toriyama et al. D12/92
D696,978 S * 1/2014 Perini D12/92
D701,147 S * 3/2014 Saracoglu D12/92
D704,101 S * 5/2014 Beaven D12/92
2002/0093220 A1 * 7/2002 Borghi et al. 296/180.5
2005/0248184 A1 * 11/2005 Piffaretti 296/187.03

FOREIGN PATENT DOCUMENTS

EM 000212923-0001 A1 10/2004
EM 000212923-0002 A1 10/2004
EM 001067839-0001 1/2009
EM 001650052-0001 12/2009
EM 001674631-0001 2/2010
EM 001674631-0002 2/2010
EM 001674631-0003 2/2010
EM 001674631-0005 2/2010
EM 001999848-0001 2/2012
EM 001999848-0003 2/2012
EM 002033621-0001 4/2012
EM 002033621-0003 4/2012
EM 002033621-0005 4/2012

EM 002033621-0006 4/2012
EM 002047977-0002 5/2012
EM 002171488-0001 1/2013
EP 0896892 A1 2/1999
EP 0906863 A2 4/1999
EP 2476603 A2 7/2012
GB 2327912 A 2/1999
GB 3013456 7/2003
GB 2396881 A 7/2004
GB 3024223 4/2006
JP D1400694 10/2010
JP D1444677 5/2012
WO 02/12028 2/2002

OTHER PUBLICATIONS

Carrion, Annette. "2014 Aston Martin Vanquish Volante Neiman Marcus . . ." European Car Web., Jun. 22, 2010 [online], [retrieved on Sep. 5, 2014]. Retrieved from the Internet <URL: http://www.europeancarweb.com/news/1311_2014_aston_martin_vanquish_volante_neiman_marcus_edition/photo_06.html>.*
"2011 Aston Martin One-77." Eletronic Brochure., Jun. 22, 2010 [online], [retrieved on Sep. 5, 2014]. Retrieved from the Internet <URL: http://www.auto-brochures.com/makes/Aston_Martin/one-77/Aston%20Martin_int%20One-77.pdf>.*
Aston Martin 2013, "Aston Martin Centenary Celebration Programme," 2013; 204 pages.
Aston Martin IDBS Brochure; Website[online]: <http://www.auto-brochures.com>, Jan. 27, 2012 [retrieved on Oct. 22, 2013]. Retrieved from the internet: <URL: http://www.auto-brochures.com/makes/Aston_Martin/dbs/Aston%20Martin_int%20DBS_1.pdf>; 62 pages.
Aston Martin DB9 Brochure; Website[online]: <http://www.auto-brochures.com>, Jan. 27, 2012 [retrieved on Oct. 22, 2013]. Retrieved from the internet: <URL: http://www.auto-brochures.com/makes/Aston_Martin/db9/Aston%20Martin_int%20DB9_1.pdf>; 41 pages.
2008 Aston Martin DB9 Grill & Front View Photo. Website[online]: <http://www.motortrend.com>, Jun. 12, 2008 [retrieved on Oct. 22, 2013]. Retrieved from the internet: <URL: http://www.motortrend.com/cars/2008/aston_martin/db9/photos/exterior/grill_front_view.html>; 1 page.
European Patent Office; PCT International Search Report mailed Nov. 21, 2001; PCT/GB01/03563; 3 pages.
European Patent Office; PCT International Preliminary Examination Report mailed Dec. 5, 2002; PCT/GB01/03563; 11 pages.
European Patent Office; PCT Written Opinion mailed Mar. 6, 2002; PCT/GB01/03563; 5 pages.
2003 Aston Martin DB7 Vantage, [online], [site visited Jan. 3, 2014], Available from Internet, <URL: <http://www.conceptcarz.com/view/photo/291097,6877/2003-Aston-Martin-DB7-Vantage.aspx>>, 2 pages.
2014 Aston Martin Rapide S, announced Dec. 30, 2013, [online], [site visited Jan. 3, 2014], Available from Internet, <URL: <http://www.astonmartin.com/en-us/cars/rapide-s>>, 35 pages.
2011 Aston Martin Rapide, [online article Feb. 4, 2010, [site visited Jan. 3, 2014], Available from Internet, <URL: http://www.roadandtrack.com/car-reviews/first-drives/photos-2011-aston-martin-rapide?click=main_sr#slide-1>, 6 pages.
European Patent Office; PCT Written Opinion mailed Aug. 21, 2002; PCT/GB01/03563; 5 pages.

* cited by examiner

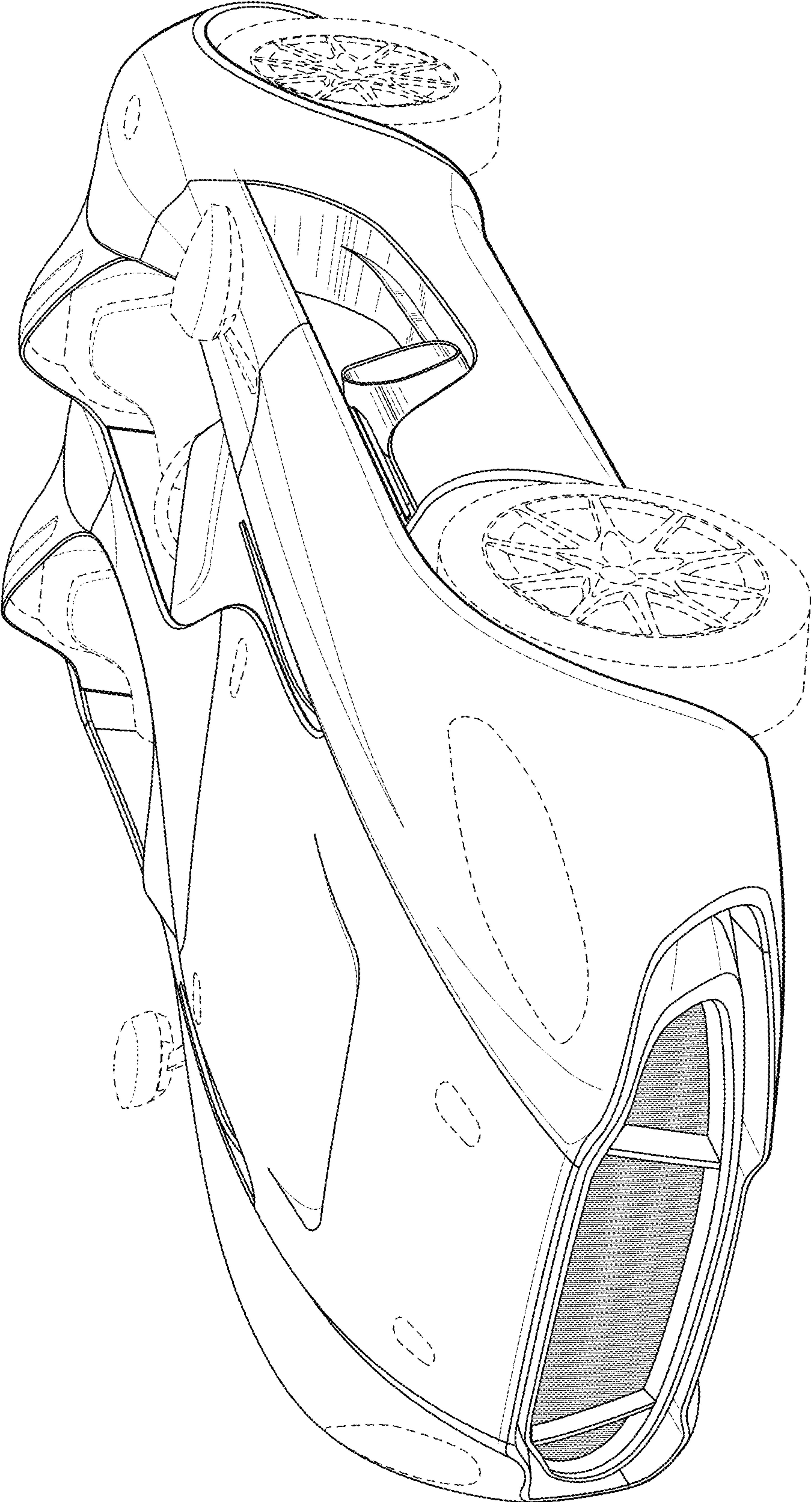


FIG. 1

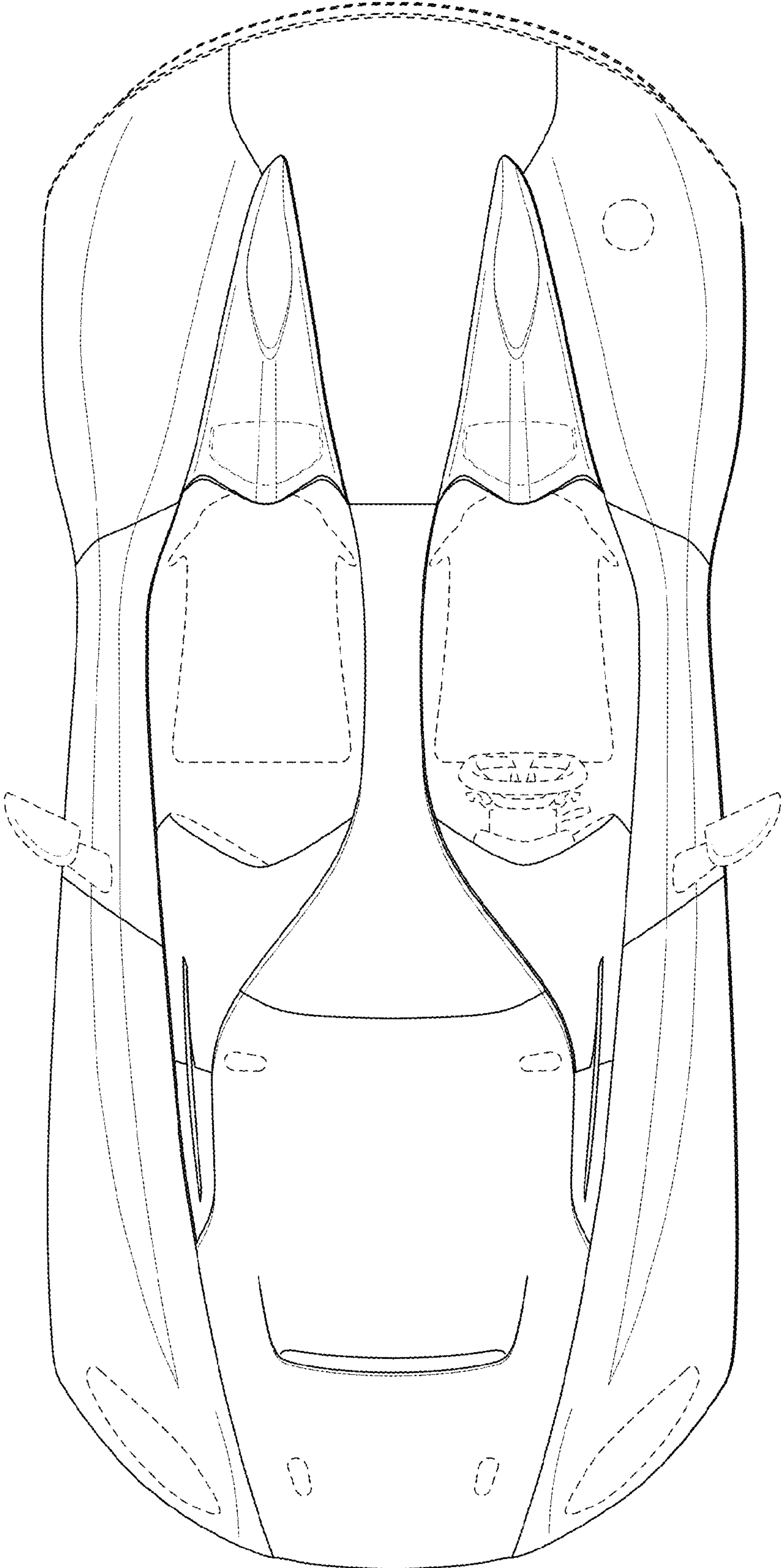


FIG. 2

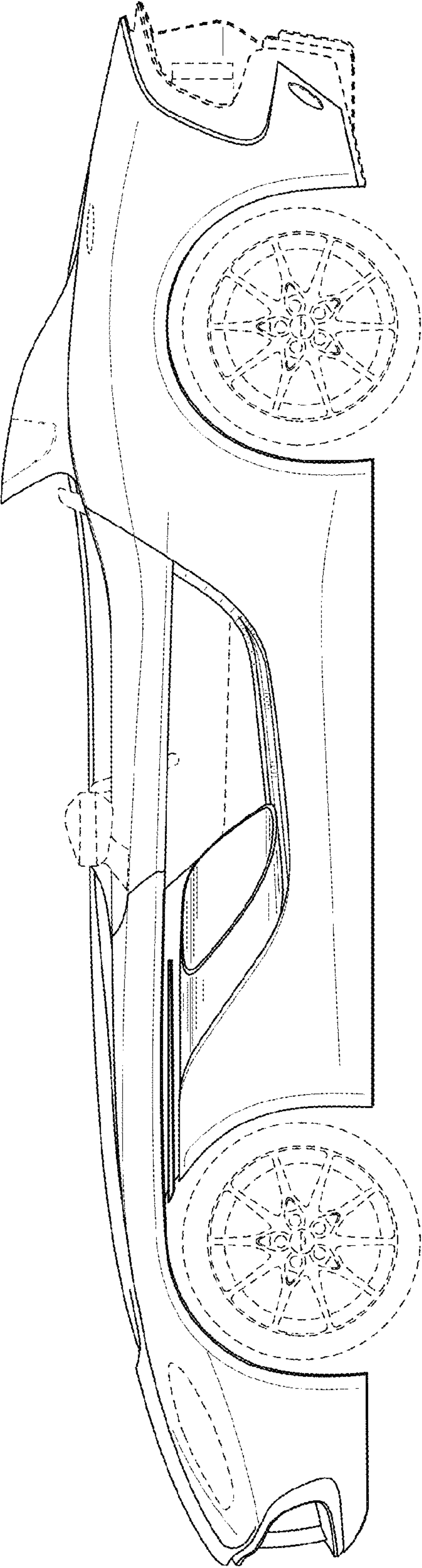


FIG. 3

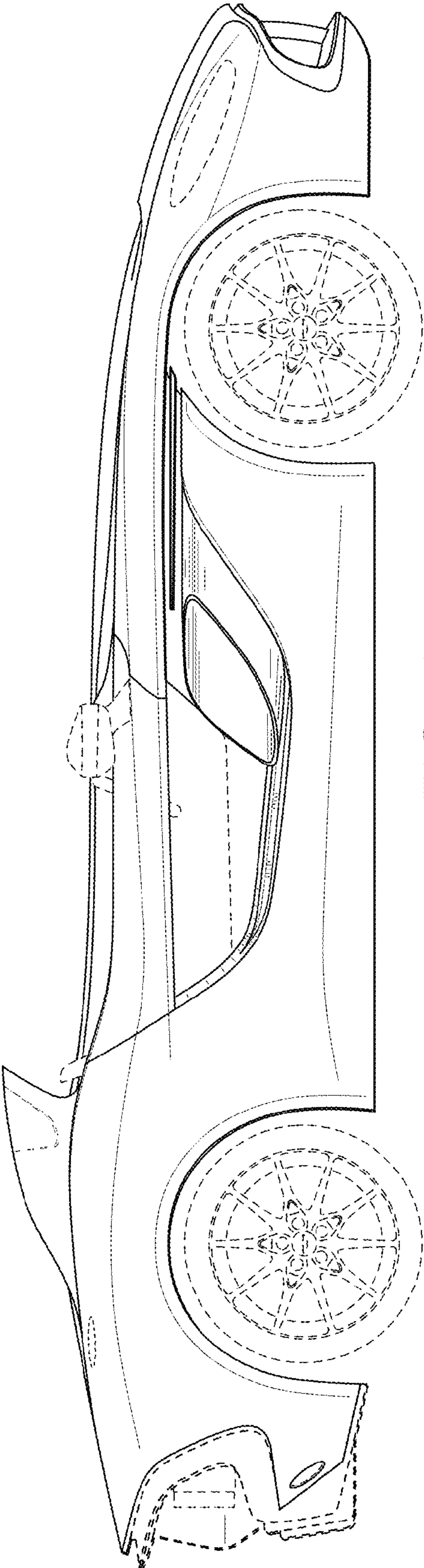


FIG. 4

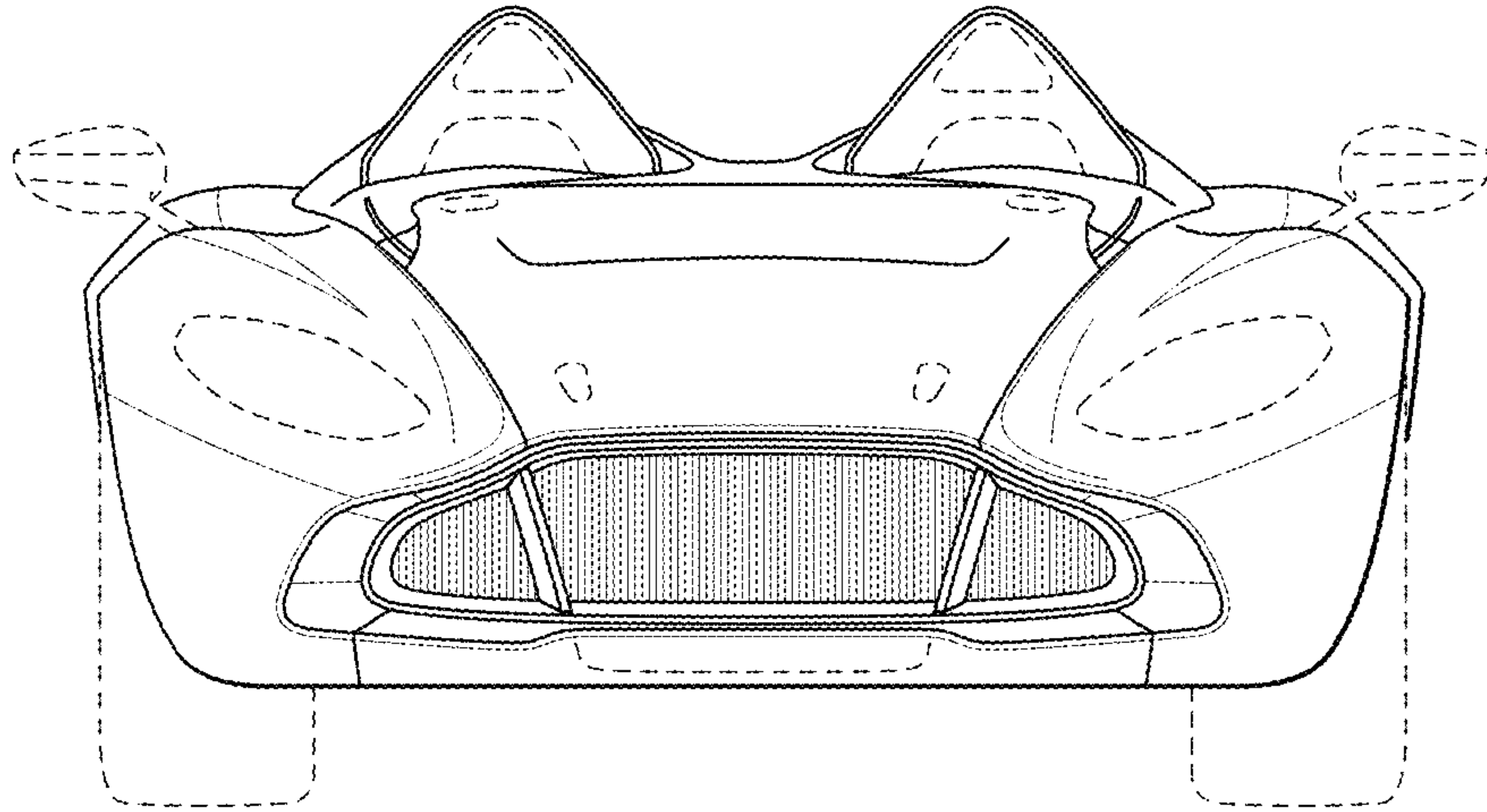


FIG. 5

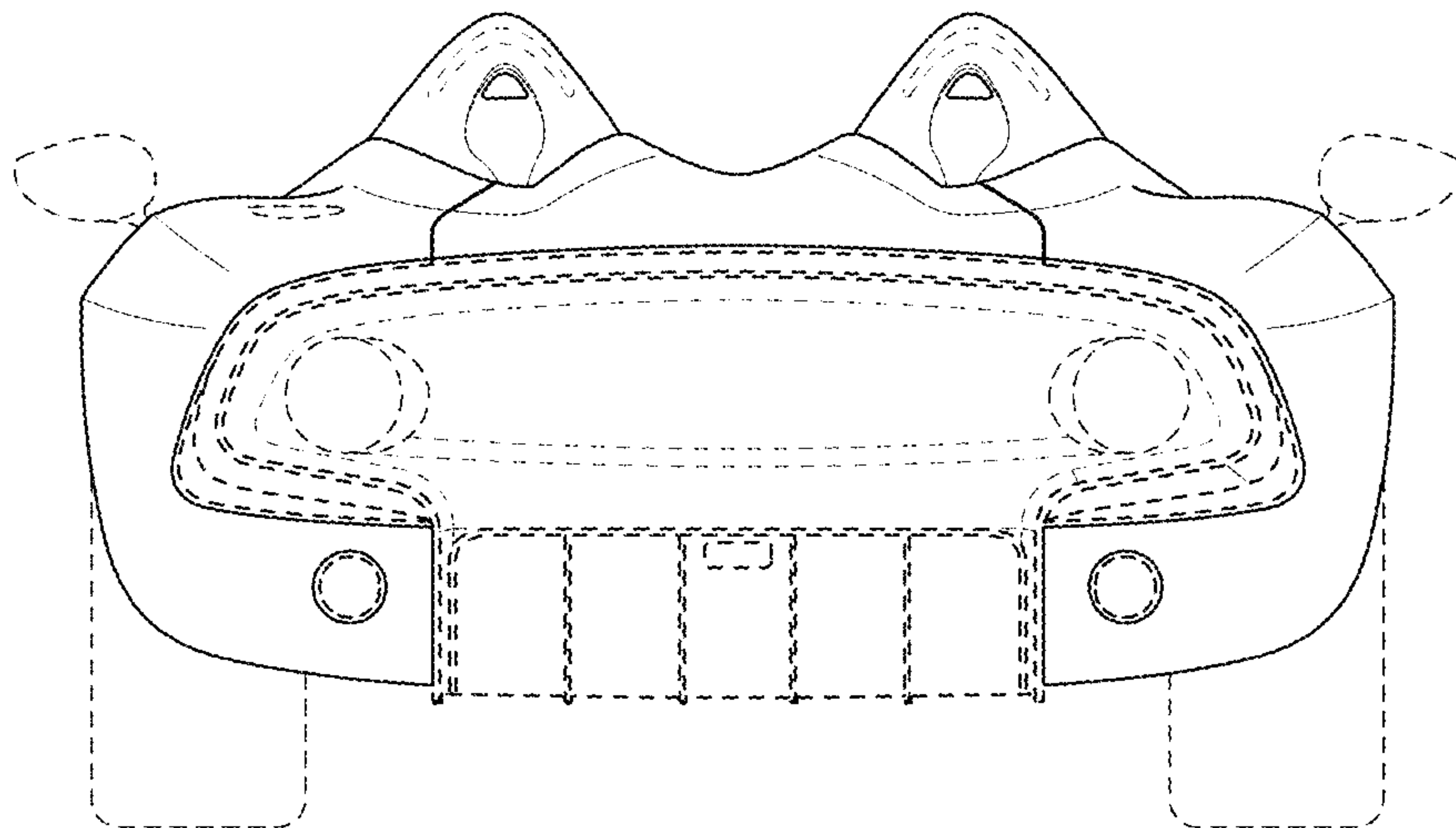


FIG. 6