



US00D758245S

(12) **United States Design Patent**
Panoz

(10) **Patent No.:** **US D758,245 S**
(45) **Date of Patent:** **** Jun. 7, 2016**

(54) **STREET CAR**

(71) Applicant: **Delta Wing, LLC**, Indianapolis, IN (US)

(72) Inventor: **Donald E. Panoz**, Braselton, GA (US)

(73) Assignee: **Delta Wing Project 56 LLC**,
Indianapolis, IN (US)

(**) Term: **14 Years**

(21) Appl. No.: **29/515,694**

(22) Filed: **Jan. 26, 2015**

Related U.S. Application Data

(63) Continuation of application No. 29/478,771, filed on
Jan. 8, 2014, now Pat. No. Des. 723,424.

(51) **LOC (10) Cl.** **12-08**

(52) **U.S. Cl.**
USPC **D12/86**

(58) **Field of Classification Search**
USPC D12/86, 90-92, 88; D21/421, 433, 434;
296/181.1, 181.5
CPC B62D 35/00; B62D 25/00; B62D 25/06;
B62D 33/00

See application file for complete search history.

(56) **References Cited**

U.S. PATENT DOCUMENTS

D451,051 S *	11/2001	Walters	D12/1
D620,393 S *	7/2010	Arnell	D12/86
D668,581 S *	10/2012	Kim	D12/86
D692,799 S *	11/2013	Smith	D12/92
D705,702 S *	5/2014	Auerbach	D12/92

* cited by examiner

Primary Examiner — Melody N Brown

(74) *Attorney, Agent, or Firm* — Bose McKinney & Evans
LLP

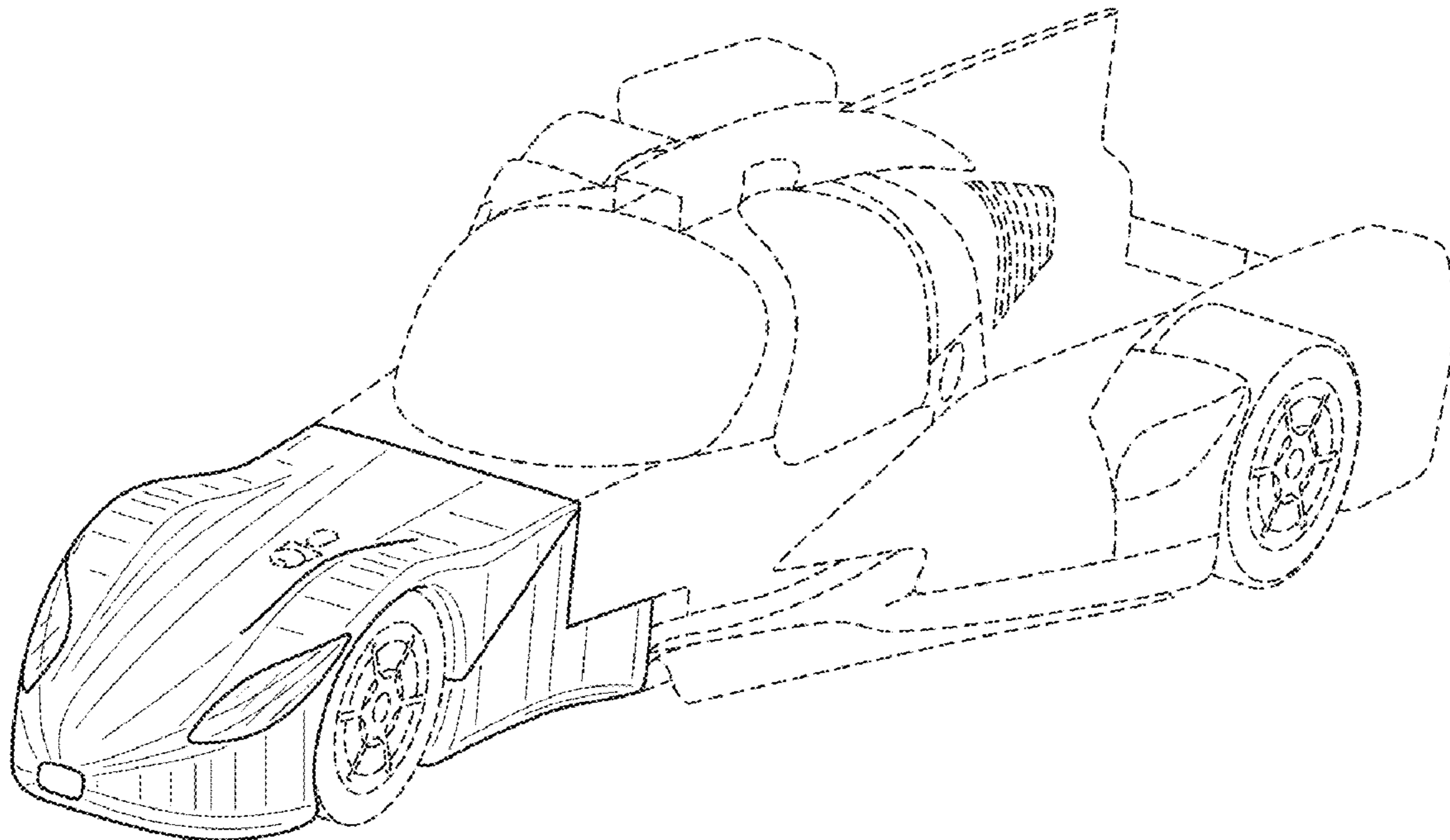
(57) **CLAIM**

The ornamental design of a street car, as shown and described.

DESCRIPTION

FIG. 1 is a front perspective view of a street car, illustrating
the novel design;
FIG. 2 is a left side view of the street car of FIG. 1;
FIG. 3 is a front elevation view of the street car of FIG. 1;
FIG. 4 is a rear view of the street car of FIG. 1; and,
FIG. 5 is a top view of the street car of FIG. 1.
The dashed lines in the drawings are for illustrative purposes
only and form no part of the claimed design.

1 Claim, 4 Drawing Sheets



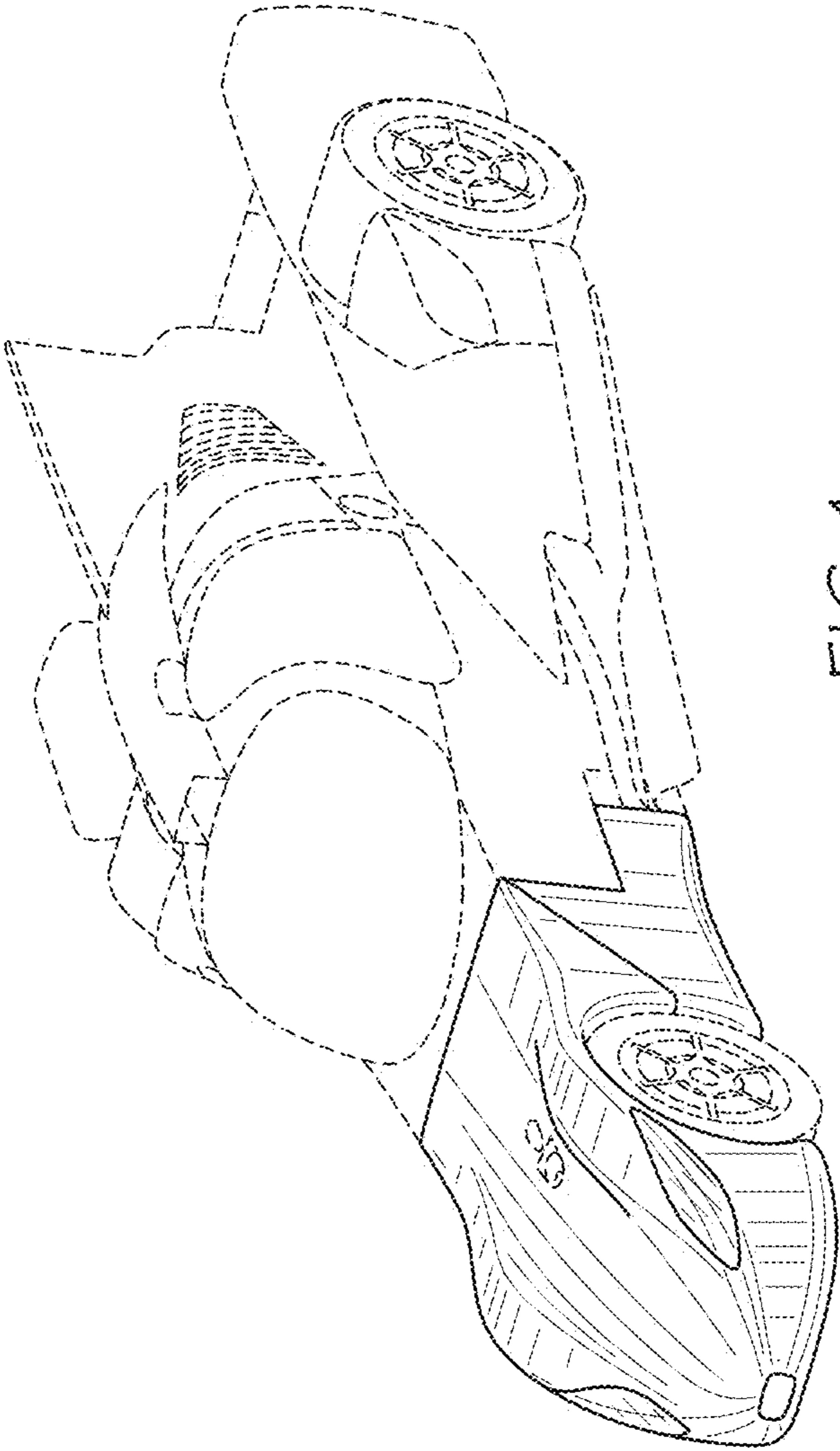


FIG. 1

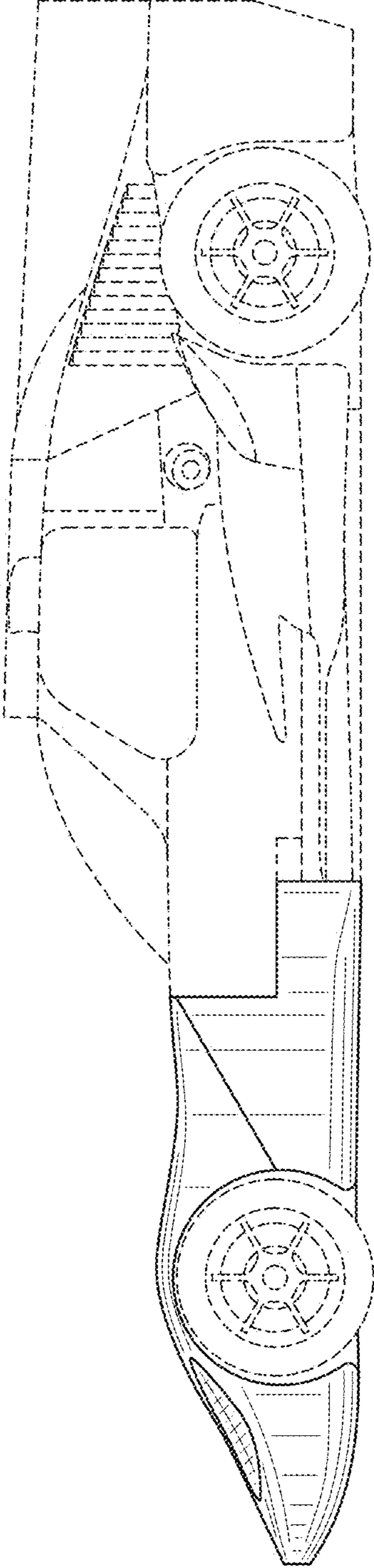


FIG. 2

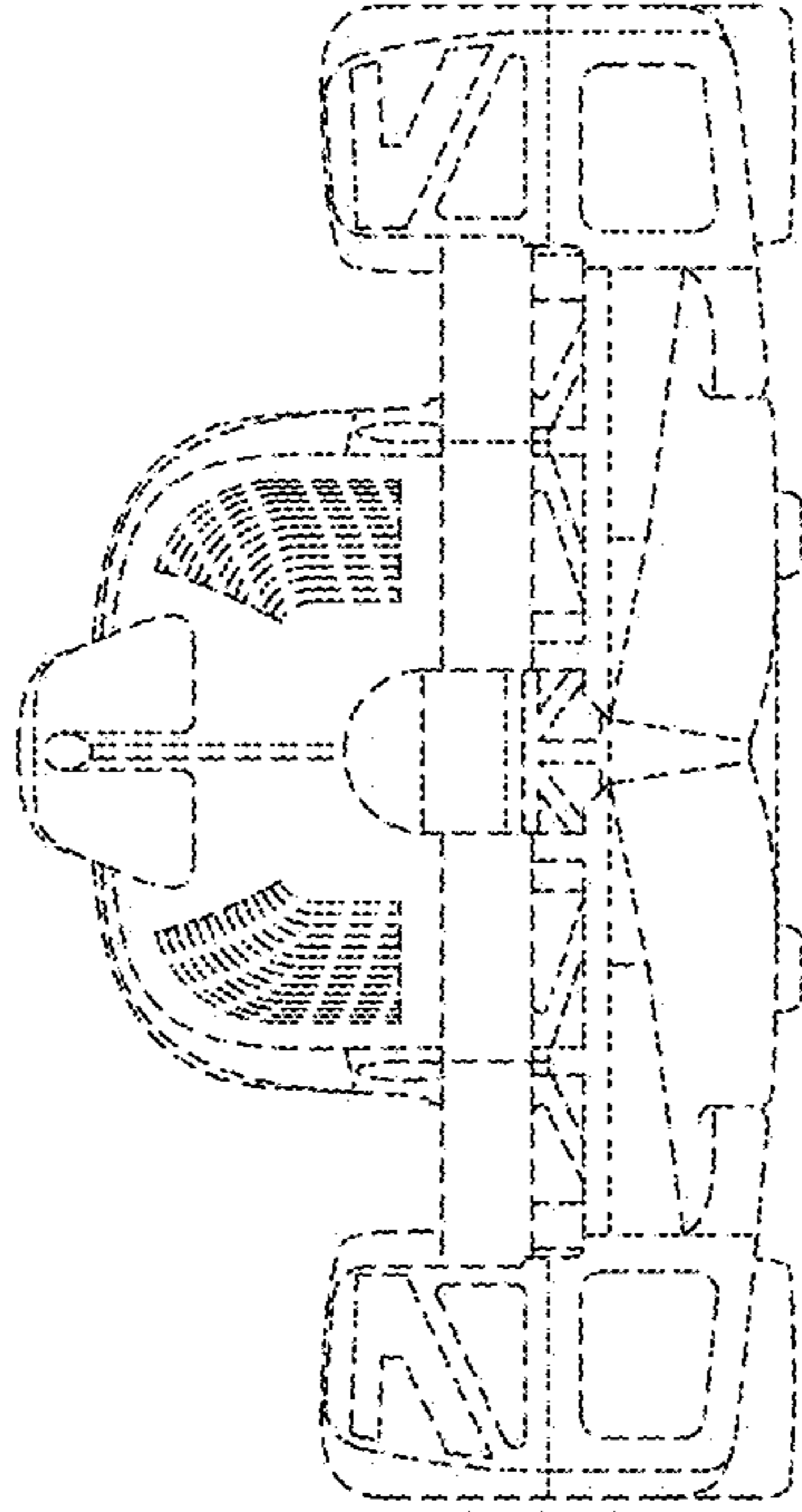


FIG. 4

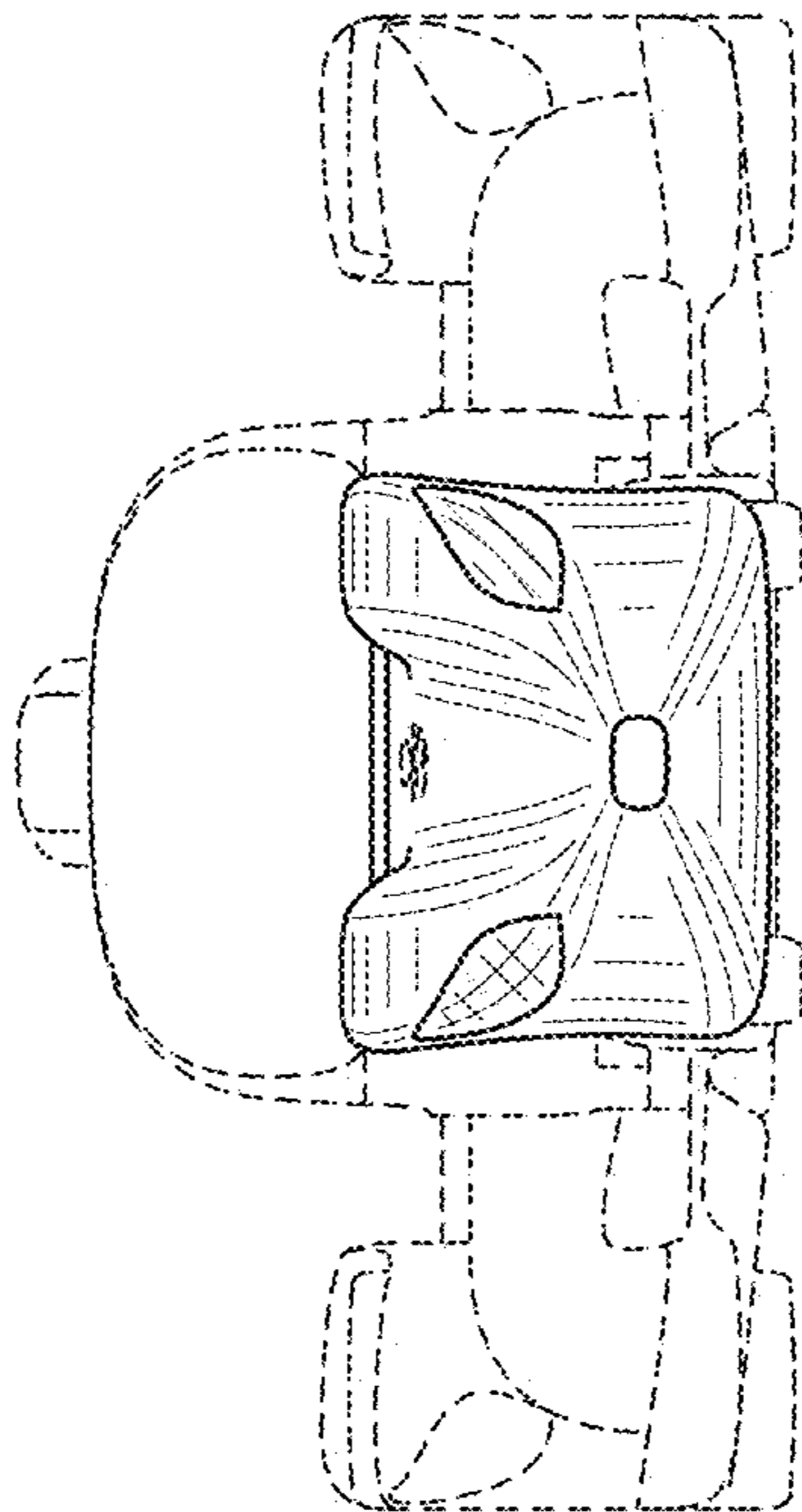


FIG. 3

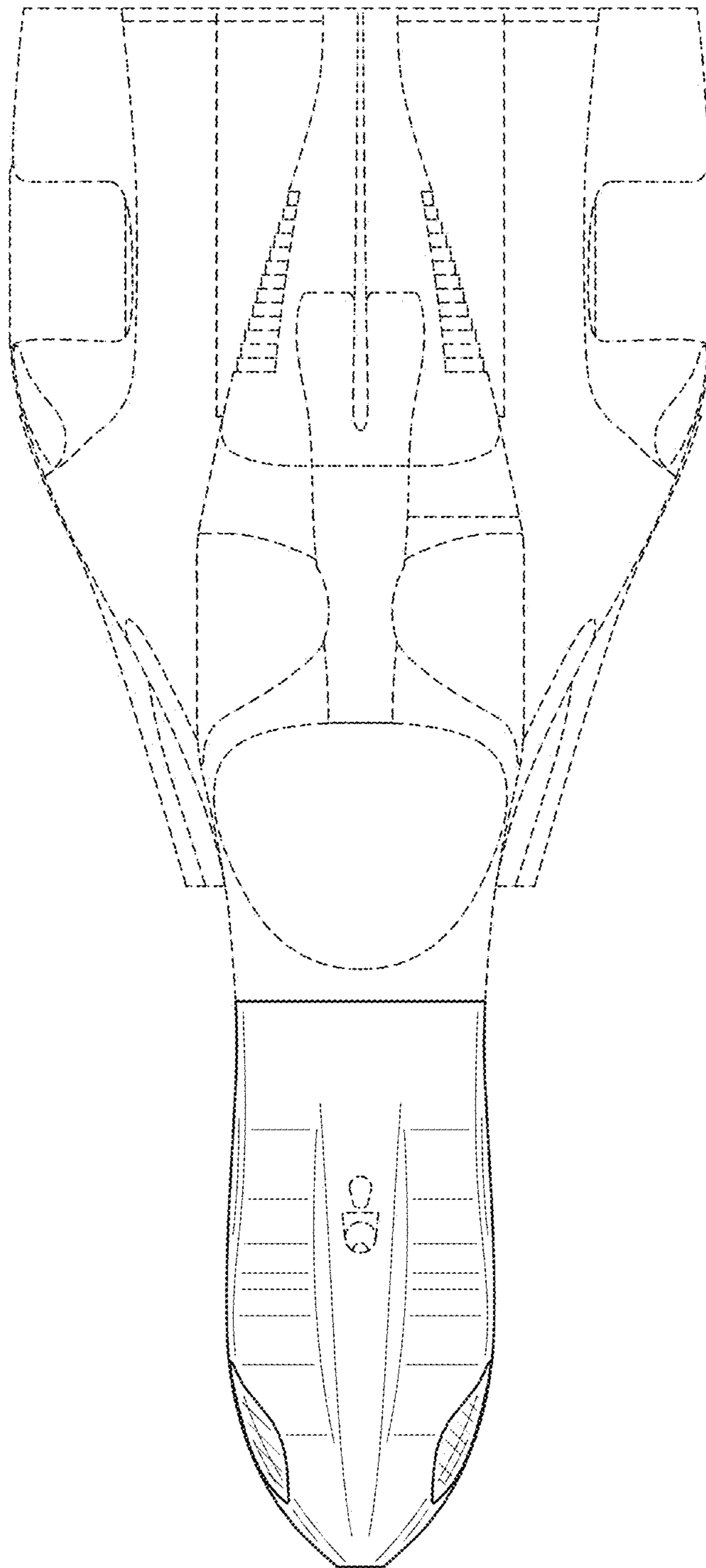


FIG. 5