



US00D758242S

(12) **United States Design Patent**  
**Craven et al.**

(10) **Patent No.:** **US D758,242 S**  
(45) **Date of Patent:** **\*\* Jun. 7, 2016**

- (54) **FOLDING BICYCLE**
- (71) Applicant: **Ford Motor Company**, Dearborn, MI (US)
- (72) Inventors: **Richard Craven**, Chelmsford (GB); **Torsten Gerhardt**, London (GB); **James Lloyd**, Alderley Edge (GB); **Jonathan Mundy**, Brentwood (GB); **James Neugebauer**, Clemsford (GB); **Simon Potticary**, Basildon (GB); **Bruce Southey**, Farmham (GB)
- (73) Assignee: **Ford Global Technologies, LLC**, Dearborn, MI (US)
- (\*\*) Term: **14 Years**
- (21) Appl. No.: **29/518,454**
- (22) Filed: **Feb. 24, 2015**
- (51) **LOC (10) Cl.** ..... **12-11**
- (52) **U.S. Cl.**  
USPC ..... **D12/11**
- (58) **Field of Classification Search**  
USPC ..... D12/111, 117; 280/274–280, 281.1, 280/283–288, 288.1–288.4  
CPC ..... B62K 3/00; B62K 3/005; B62K 9/00; B62K 19/00; B62K 19/02; B62K 19/04; B62K 19/06; B62K 19/16  
See application file for complete search history.

- (56) **References Cited**  
U.S. PATENT DOCUMENTS
- 4,634,138 A \* 1/1987 Fryer ..... B62K 15/008 280/278
- 5,836,602 A \* 11/1998 Wang ..... B62K 15/008 280/278
- 6,267,401 B1 \* 7/2001 De Jong ..... B62K 15/008 280/287
- 6,623,023 B2 \* 9/2003 Niitsu ..... B62K 15/008 180/220
- D487,234 S \* 3/2004 Chen ..... D12/111

- 6,702,312 B1 \* 3/2004 Miksik ..... B62J 1/04 280/278
- D497,122 S \* 10/2004 Uenaka ..... D12/111
- 6,799,771 B2 \* 10/2004 Bigot ..... B62K 15/008 280/278
- D512,346 S \* 12/2005 Sinclair ..... D12/111
- 7,055,842 B1 \* 6/2006 Lin ..... B62K 15/008 280/278
- 7,156,409 B2 \* 1/2007 Chuang ..... B62K 15/006 280/278
- D536,645 S \* 2/2007 Cole ..... D12/111
- D547,702 S \* 7/2007 Tabuchi ..... D12/111
- D616,335 S \* 5/2010 Kubota ..... D12/111
- D617,687 S \* 6/2010 Brady ..... D12/111
- D626,037 S \* 10/2010 Thetard ..... D12/111

(Continued)

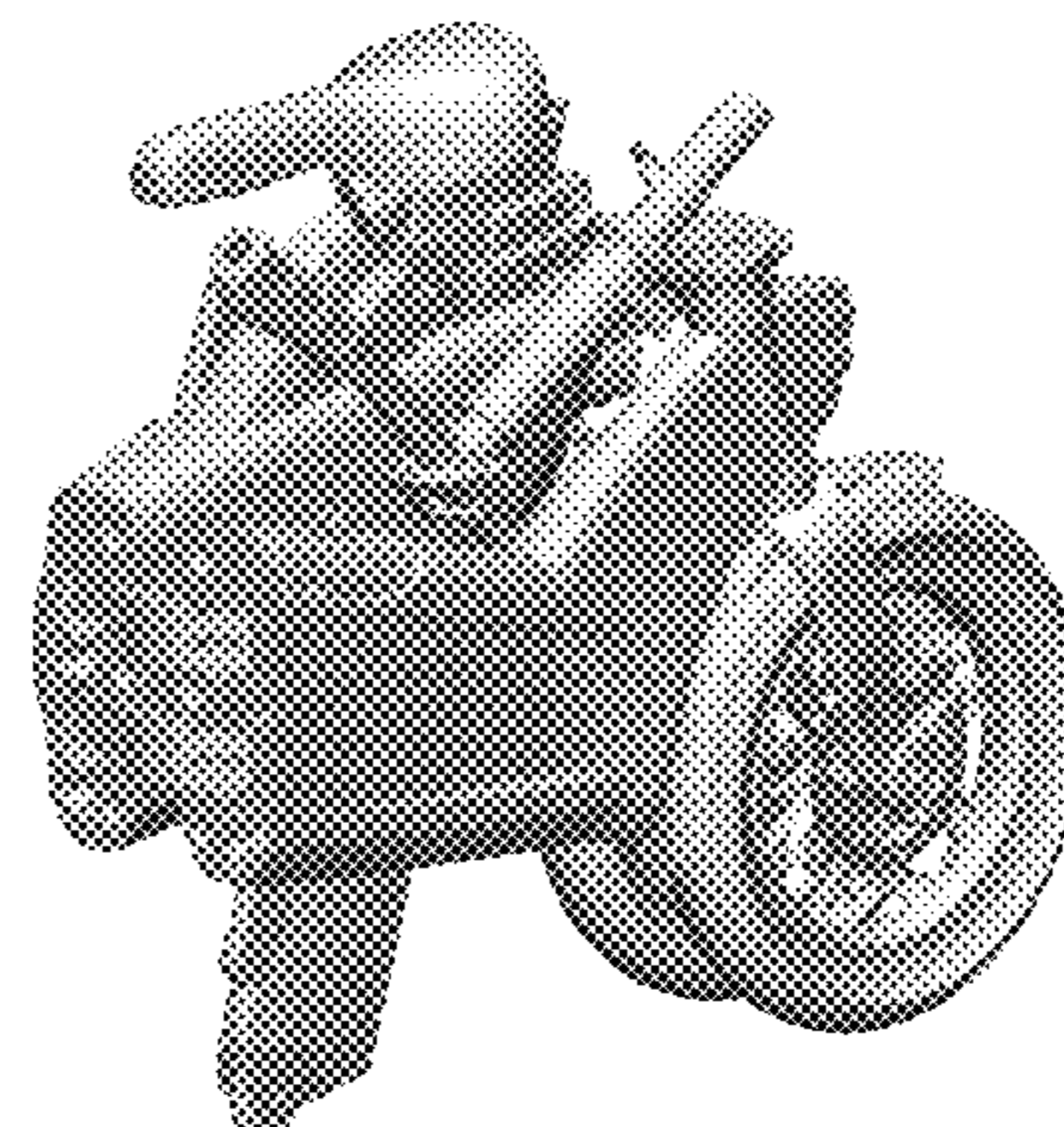
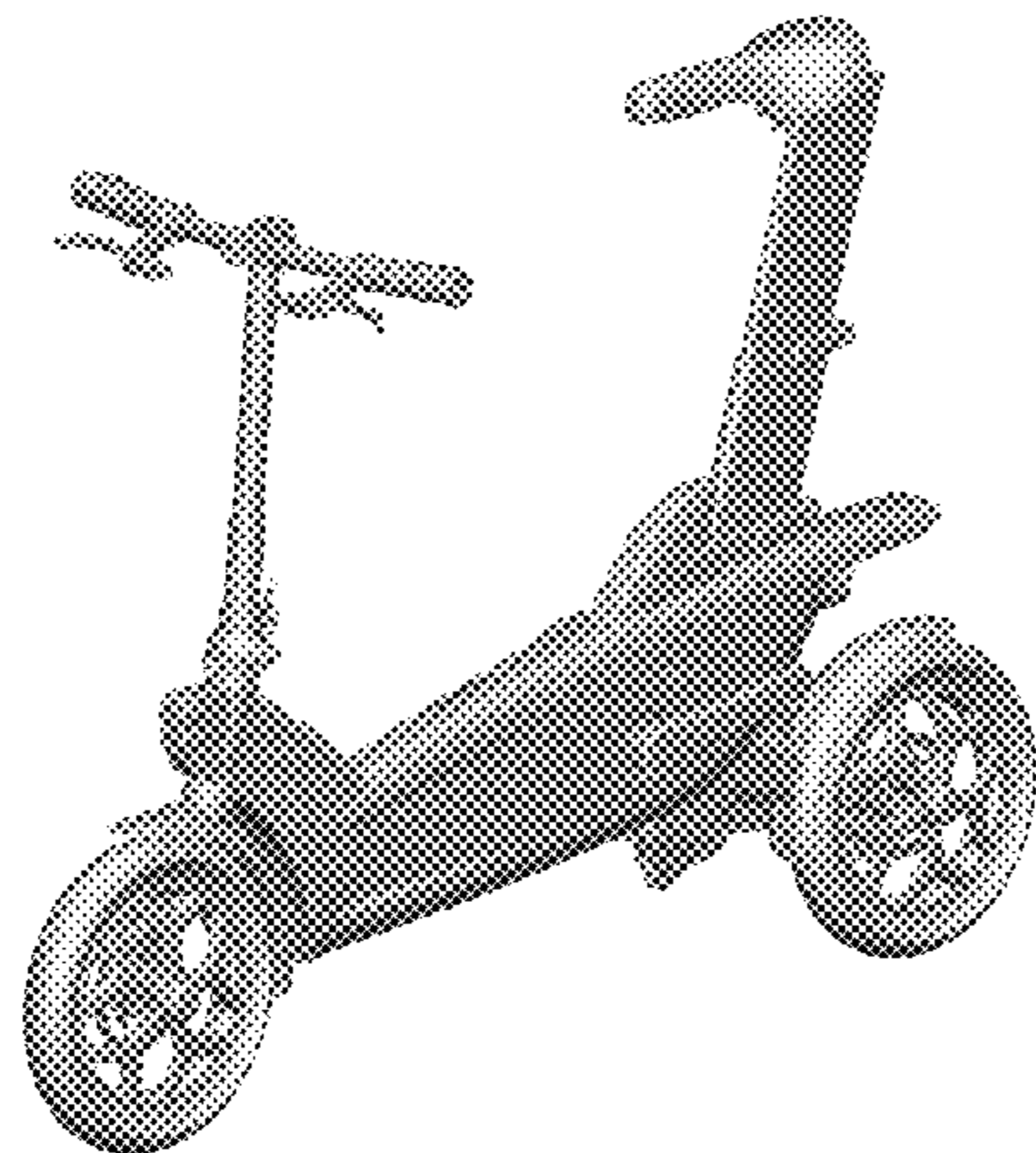
*Primary Examiner* — Philip S Hyder  
*Assistant Examiner* — Darlington Ly  
(74) *Attorney, Agent, or Firm* — Damian Porcari

(57) **CLAIM**  
The ornamental design for a folding bicycle, as shown and described.

**DESCRIPTION**

FIG. 1 is a top, front and left perspective view of a folding bicycle in an unfolded position;  
FIG. 2 is a top, rear and left perspective view thereof;  
FIG. 3 is a front elevational view thereof;  
FIG. 4 is a left side elevational view thereof;  
FIG. 5 is a bottom plan view thereof;  
FIG. 6 is a rear elevational view thereof;  
FIG. 7 is a right side elevational view thereof;  
FIG. 8 is top plan view thereof;  
FIG. 9 is a top, front and left perspective view thereof in a folded position;  
FIG. 10 is a top, rear and left perspective view thereof;  
FIG. 11 is a front elevational view thereof;  
FIG. 12 is a left elevational view thereof;  
FIG. 13 is a bottom plan view thereof;  
FIG. 14 is a rear elevational view thereof;  
FIG. 15 is a right elevational view thereof; and,  
FIG. 16 is a top plan view thereof.

**1 Claim, 16 Drawing Sheets**



**US D758,242 S**

Page 2

---

(56)

**References Cited**

U.S. PATENT DOCUMENTS

D724,497 S *	3/2015	Harness .....	D12/111	
D730,778 S *	6/2015	Harness .....	D12/111	* cited by examiner
D730,779 S *	6/2015	Arbour .....	D12/111	
D739,308 S *	9/2015	Barnaby Latham .....	D12/111	
D739,310 S *	9/2015	Barnaby Latham .....	D12/112	



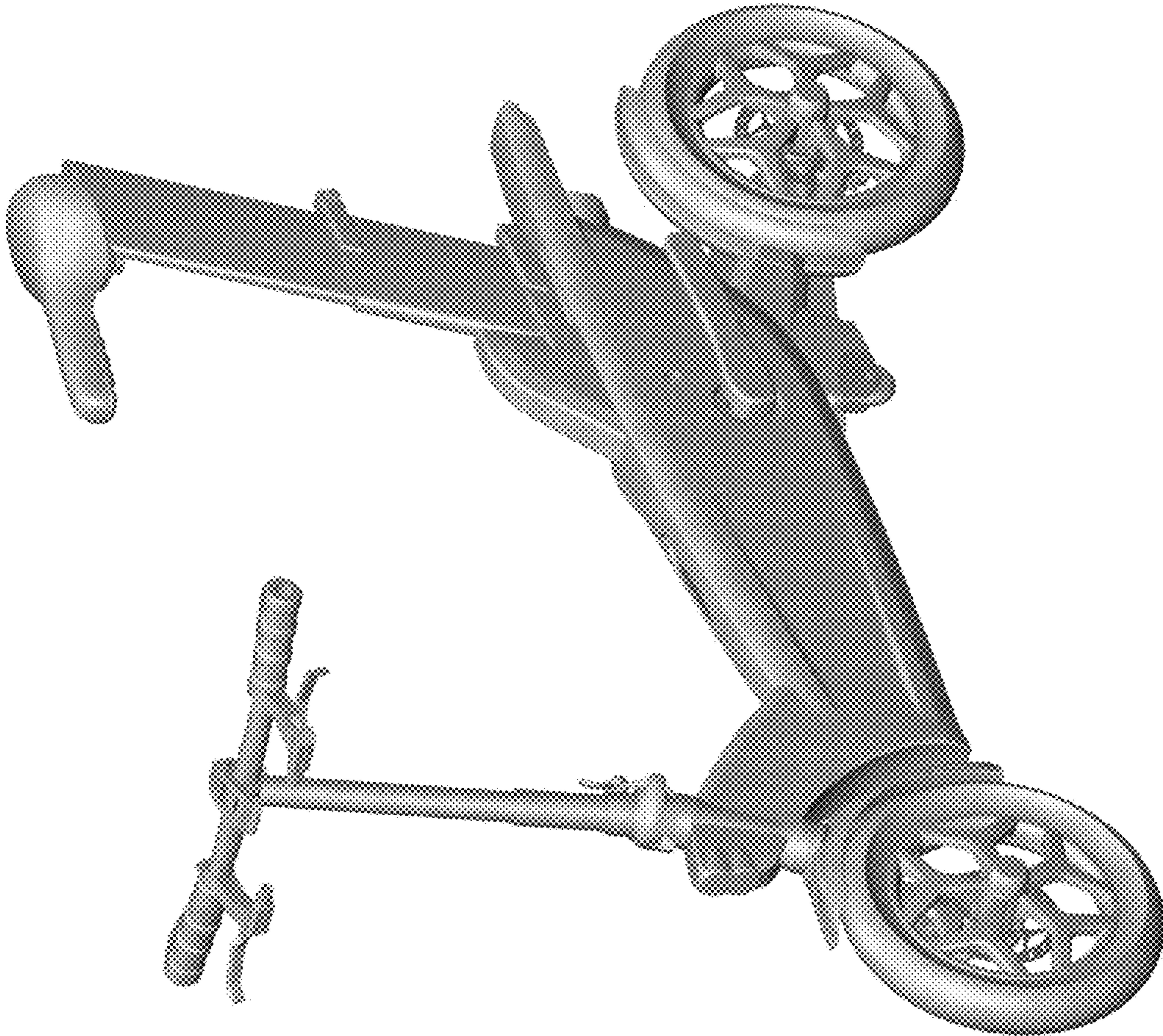


Figure 1

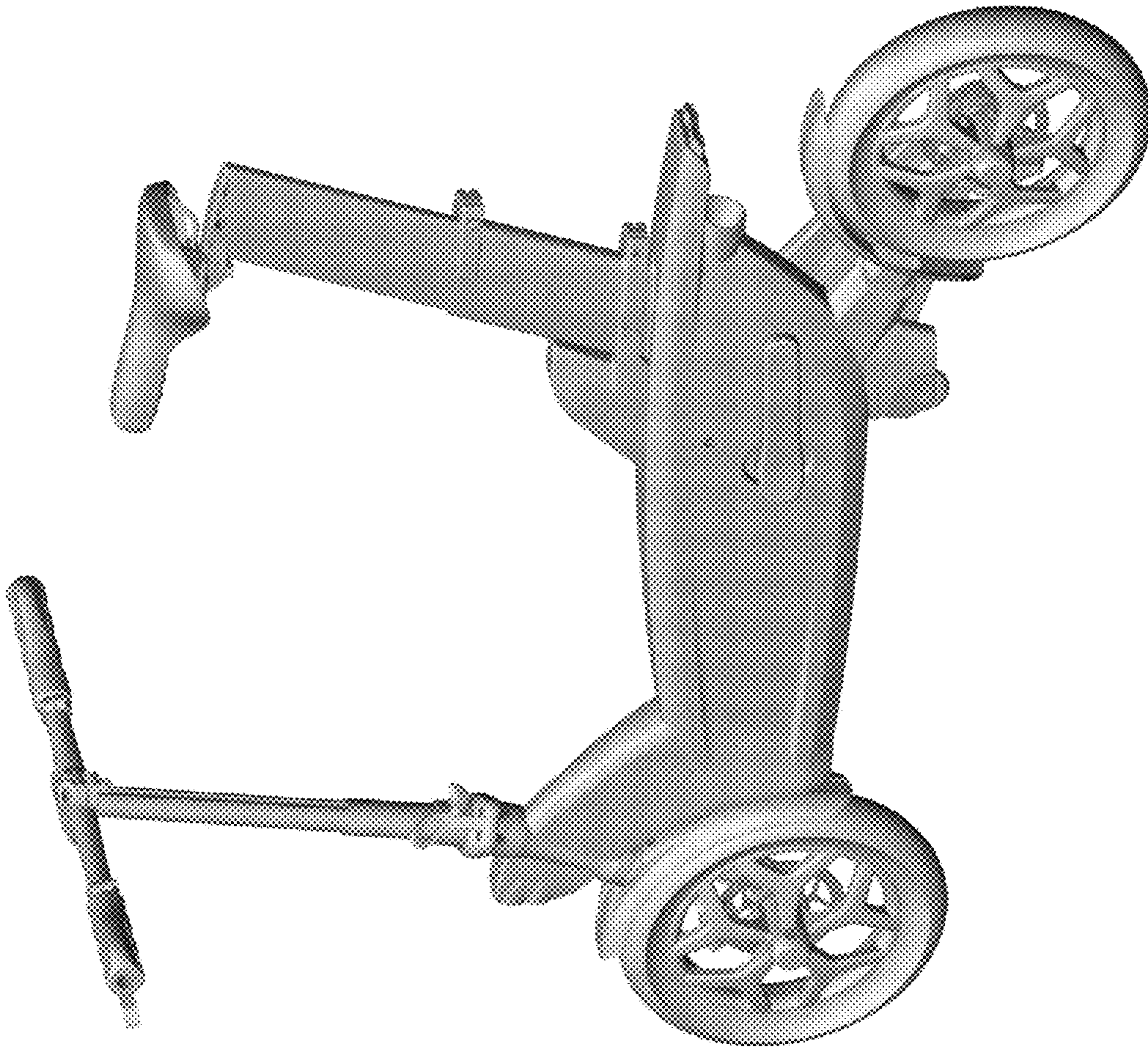


Figure 2



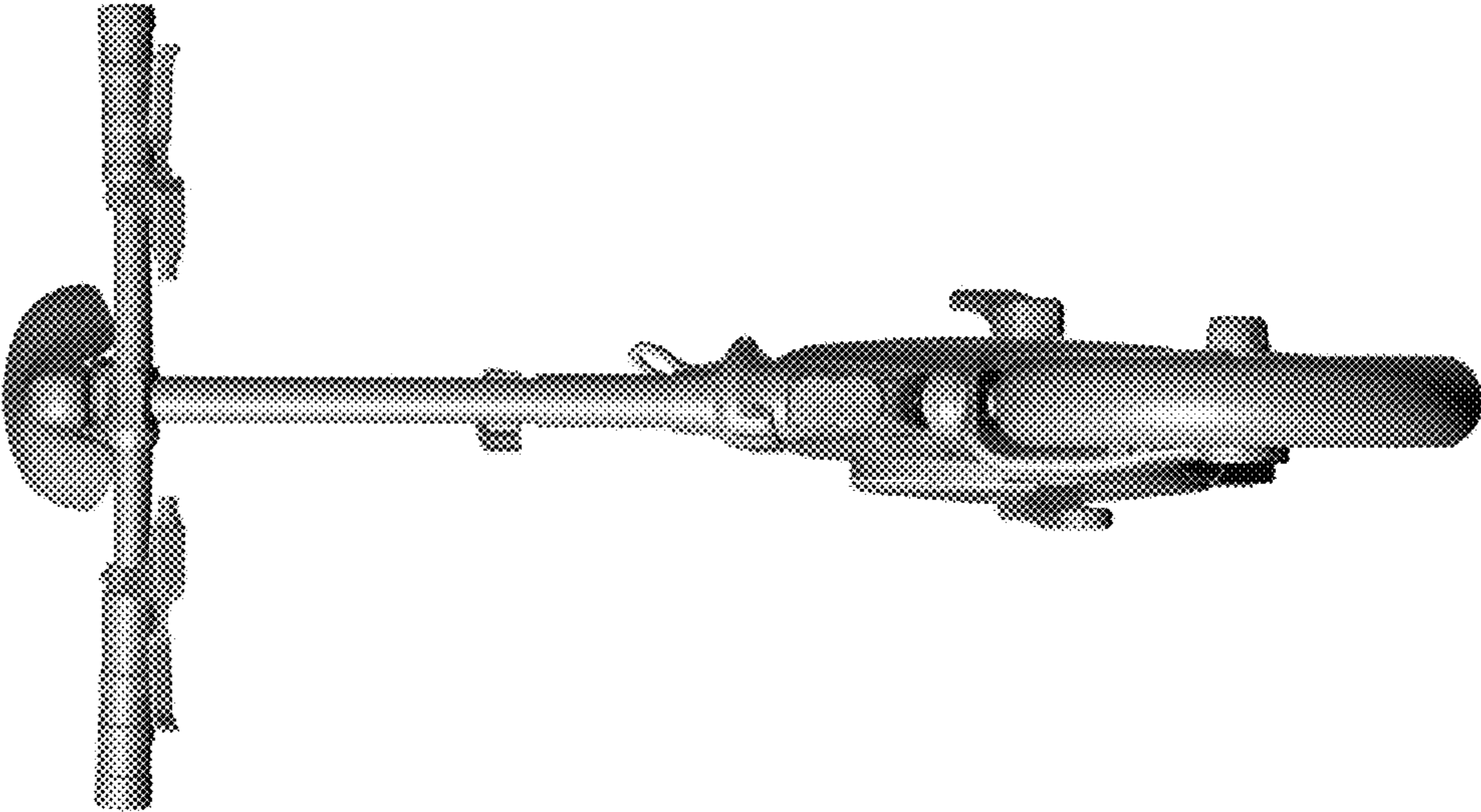


Figure 3

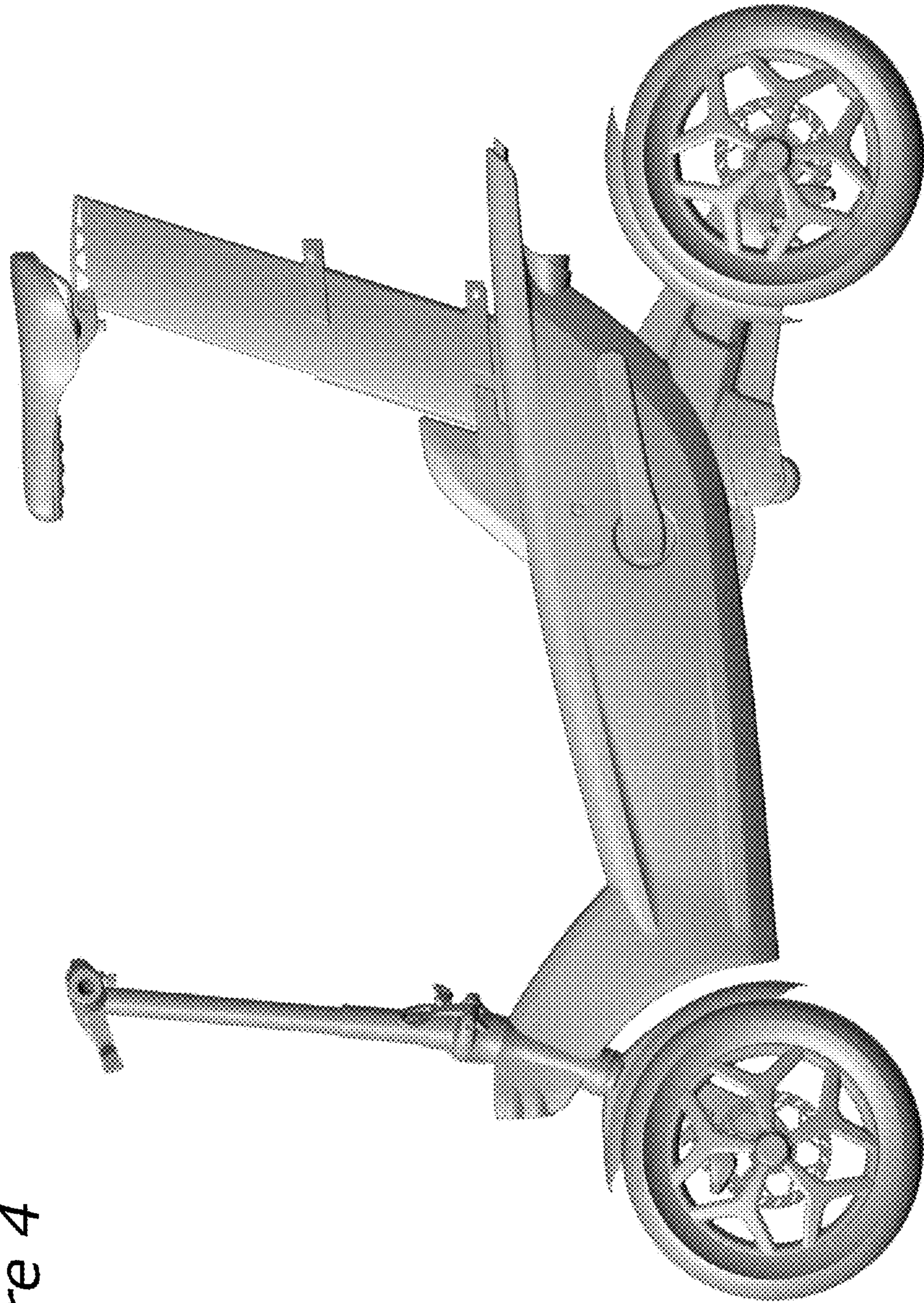


Figure 4



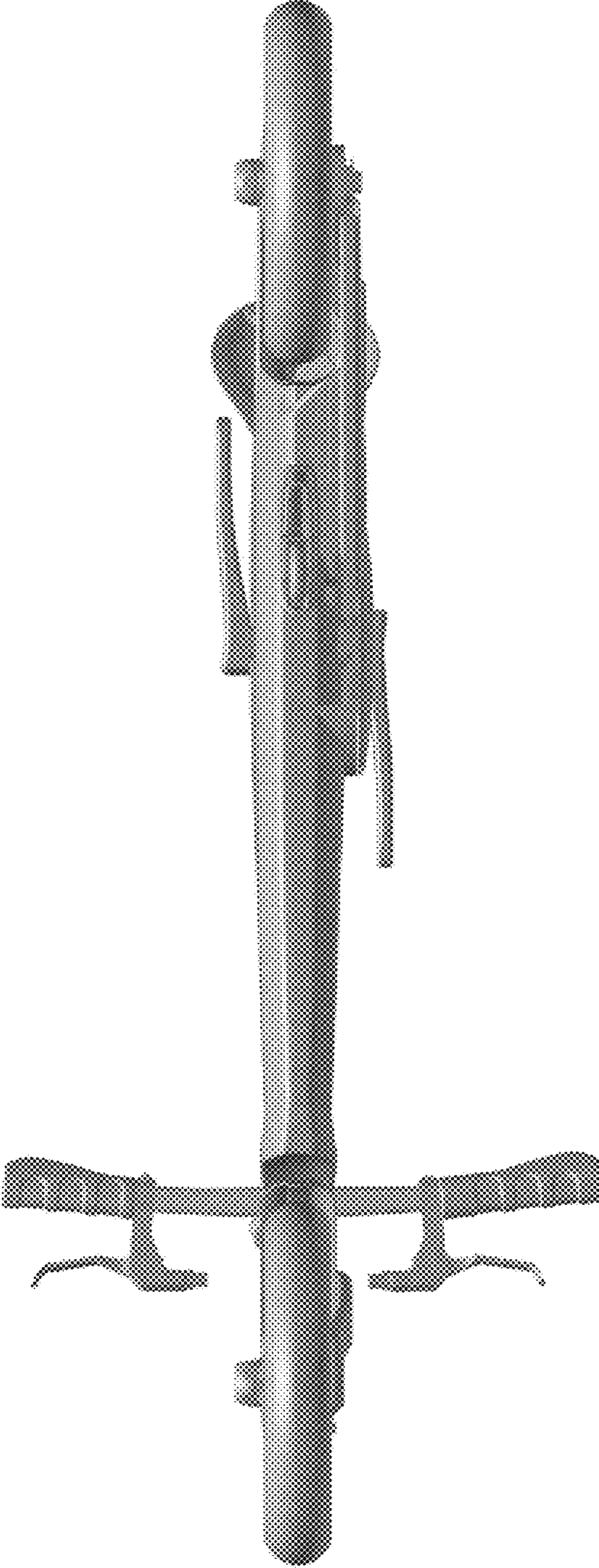


Figure 5

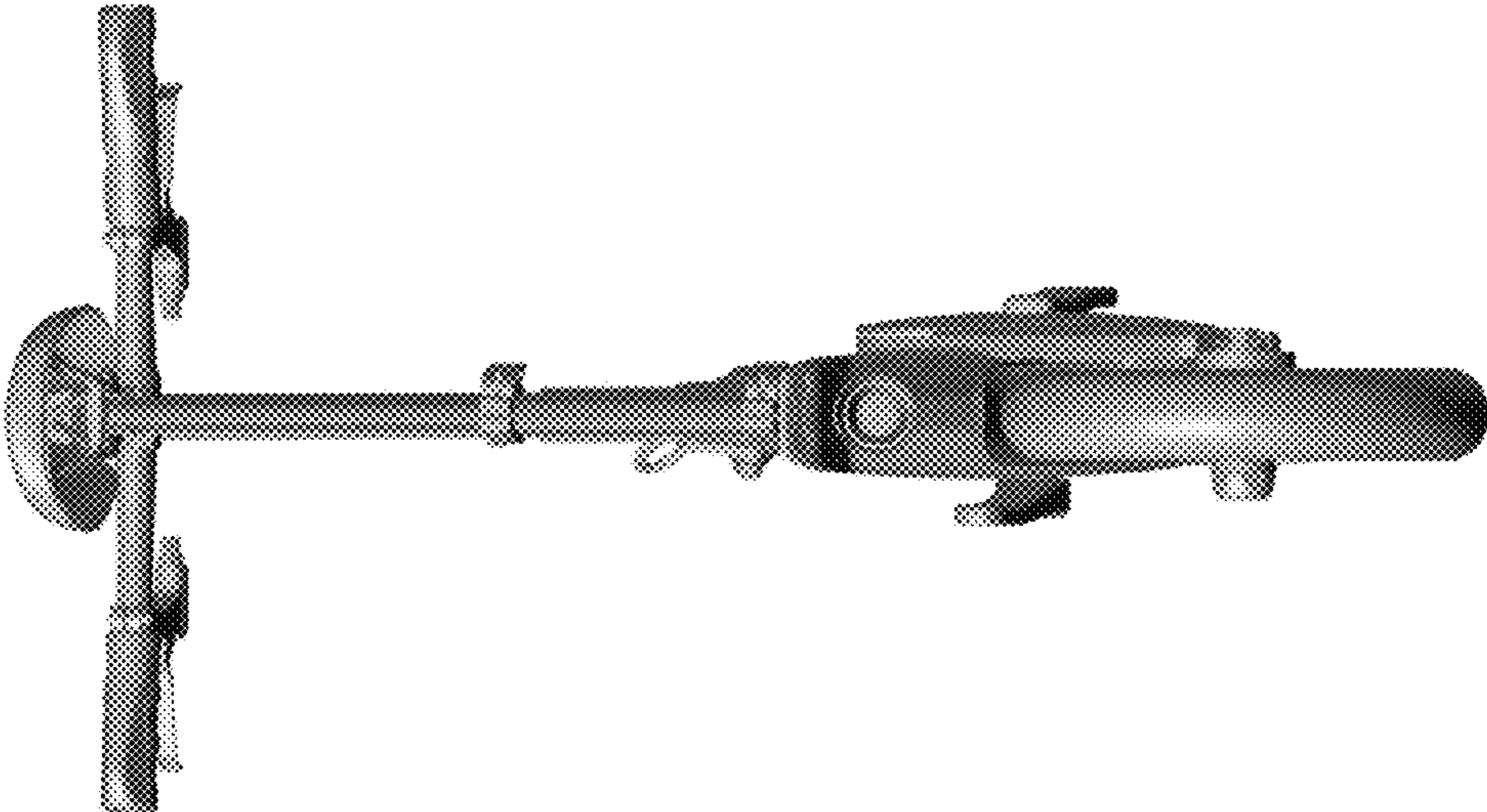


Figure 6



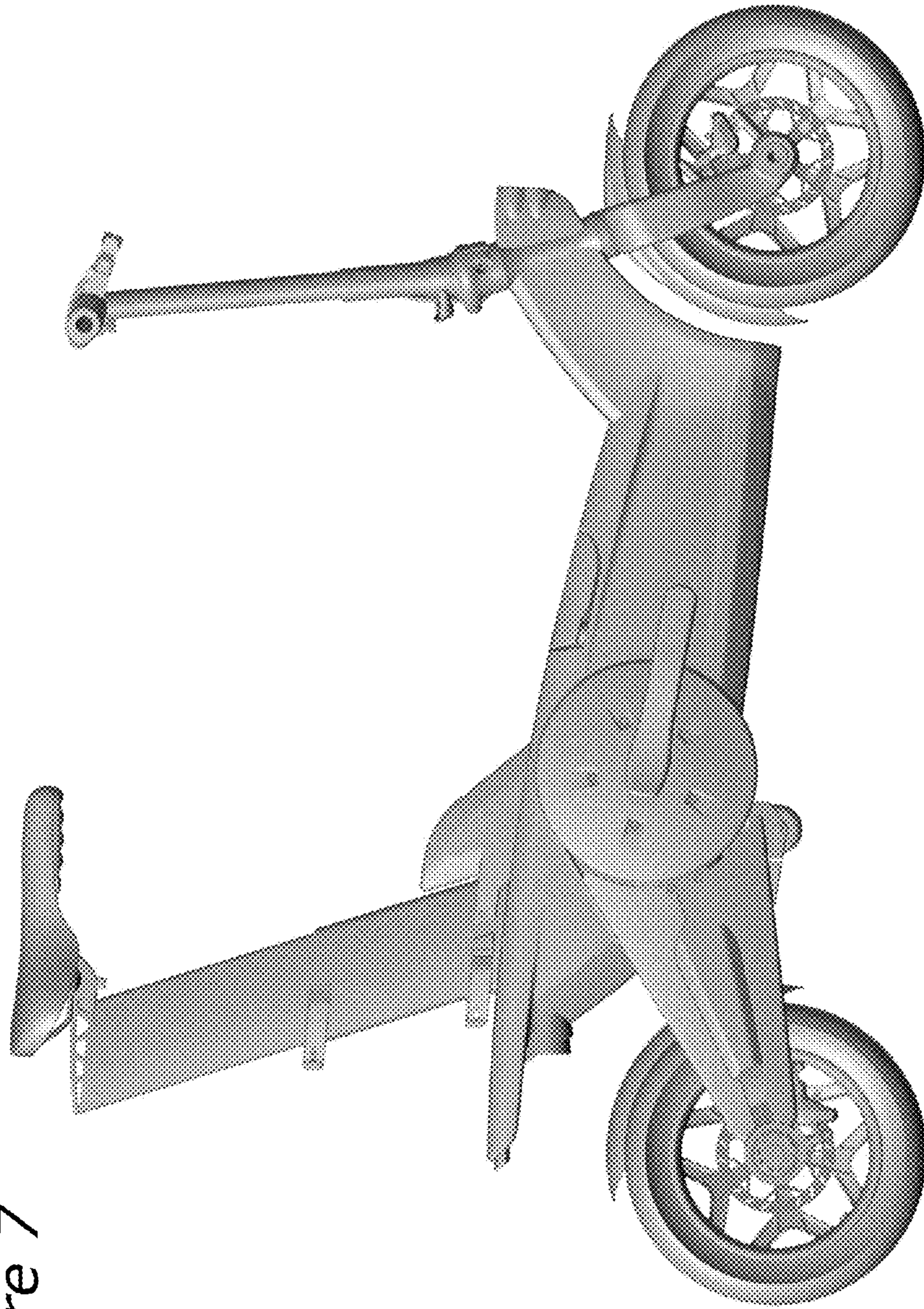


Figure 7

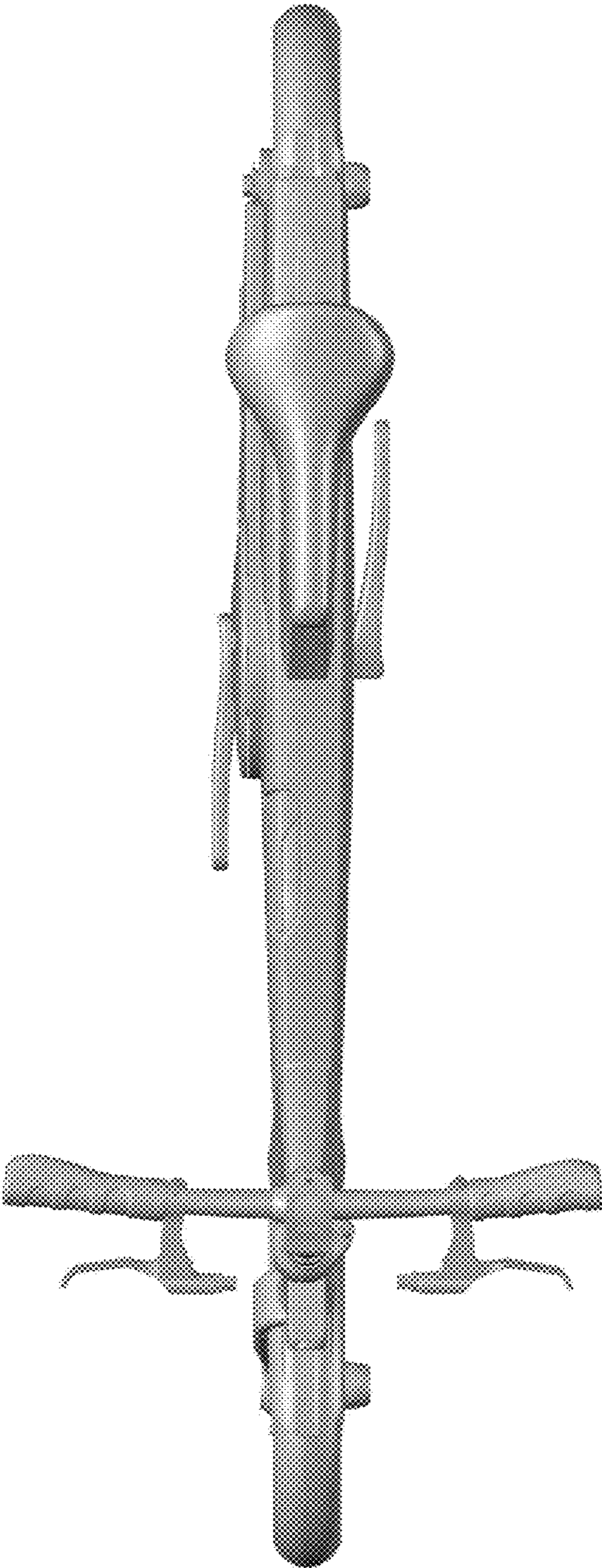


Figure 8



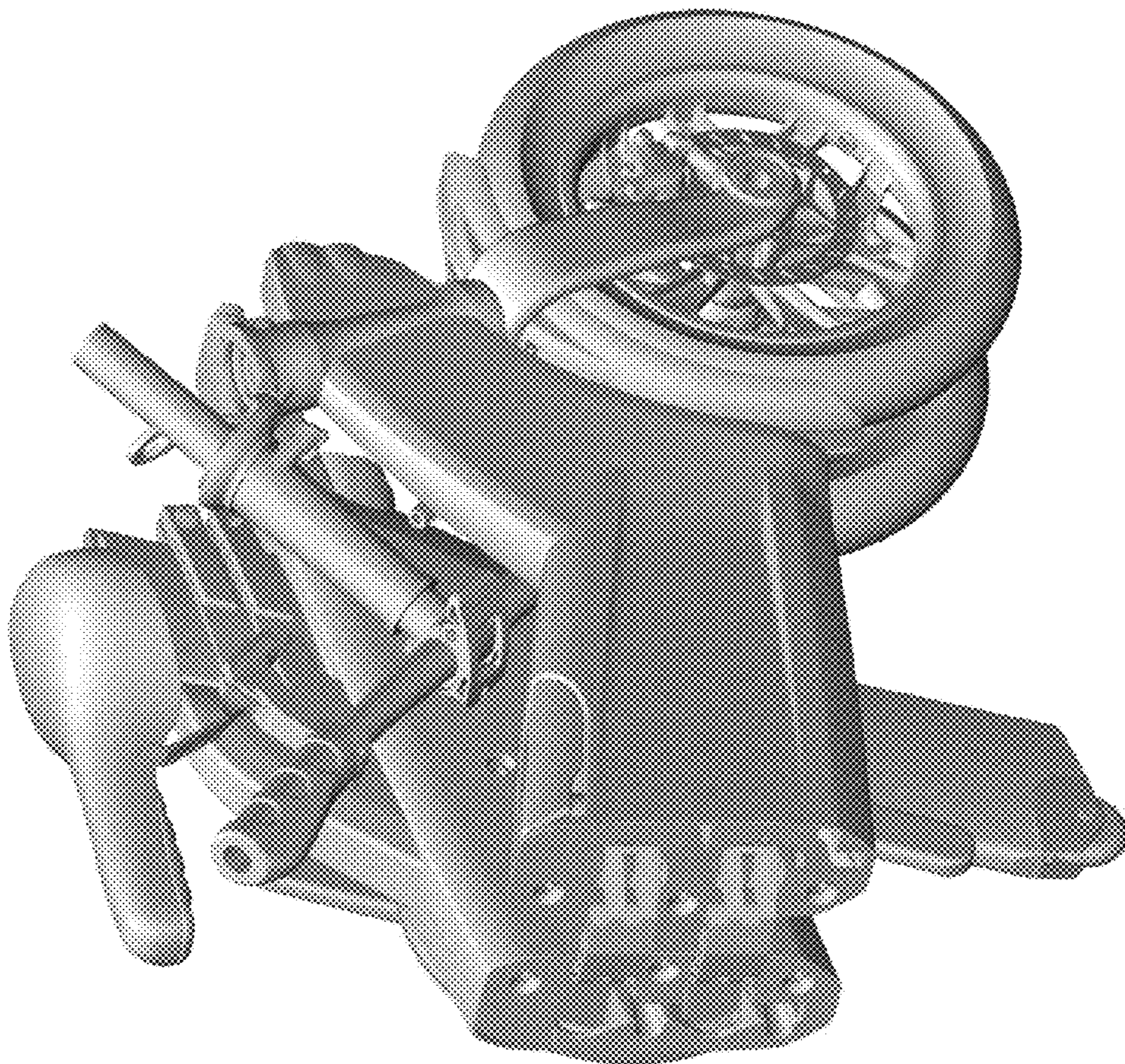


Figure 9



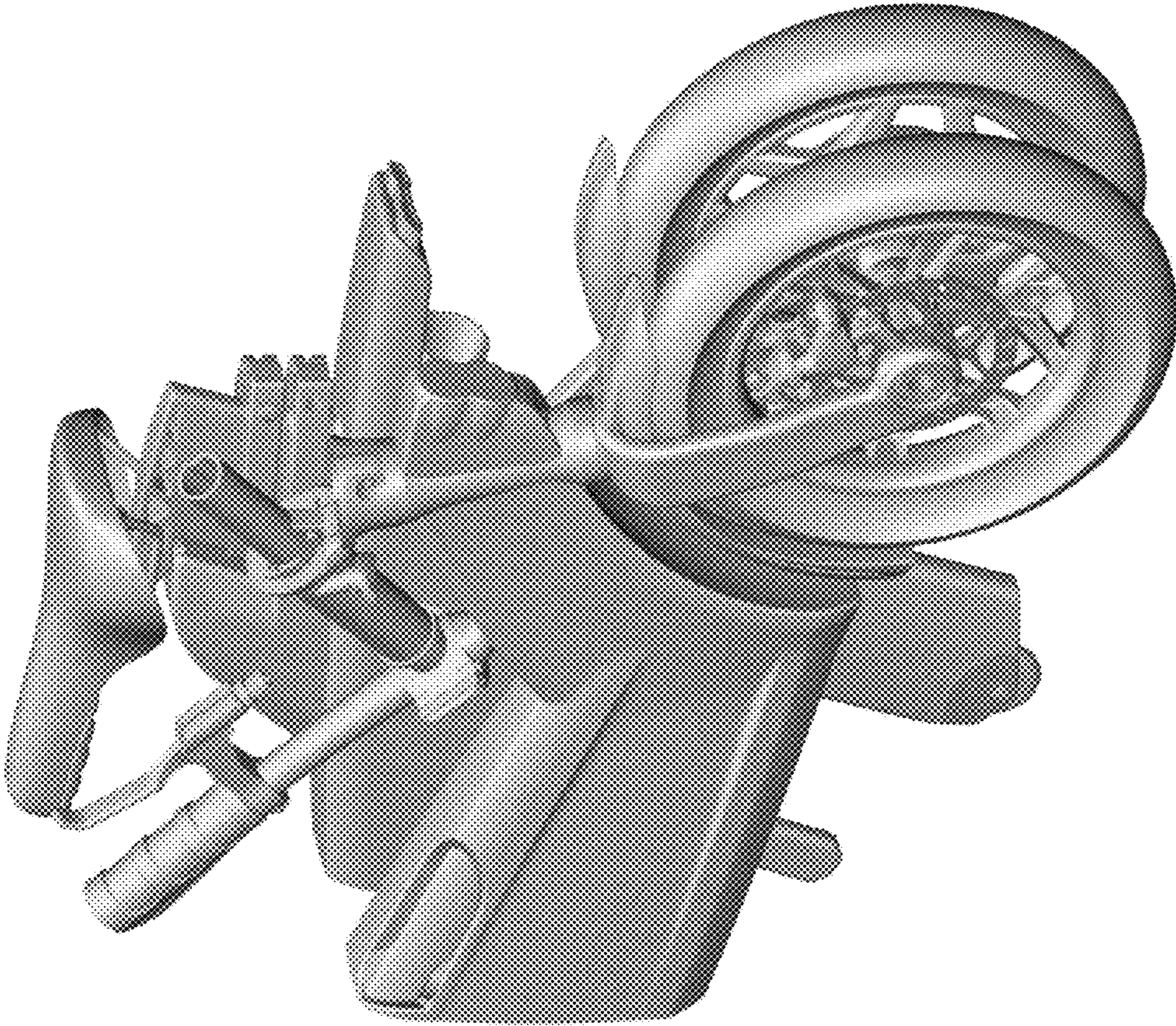


Figure 10



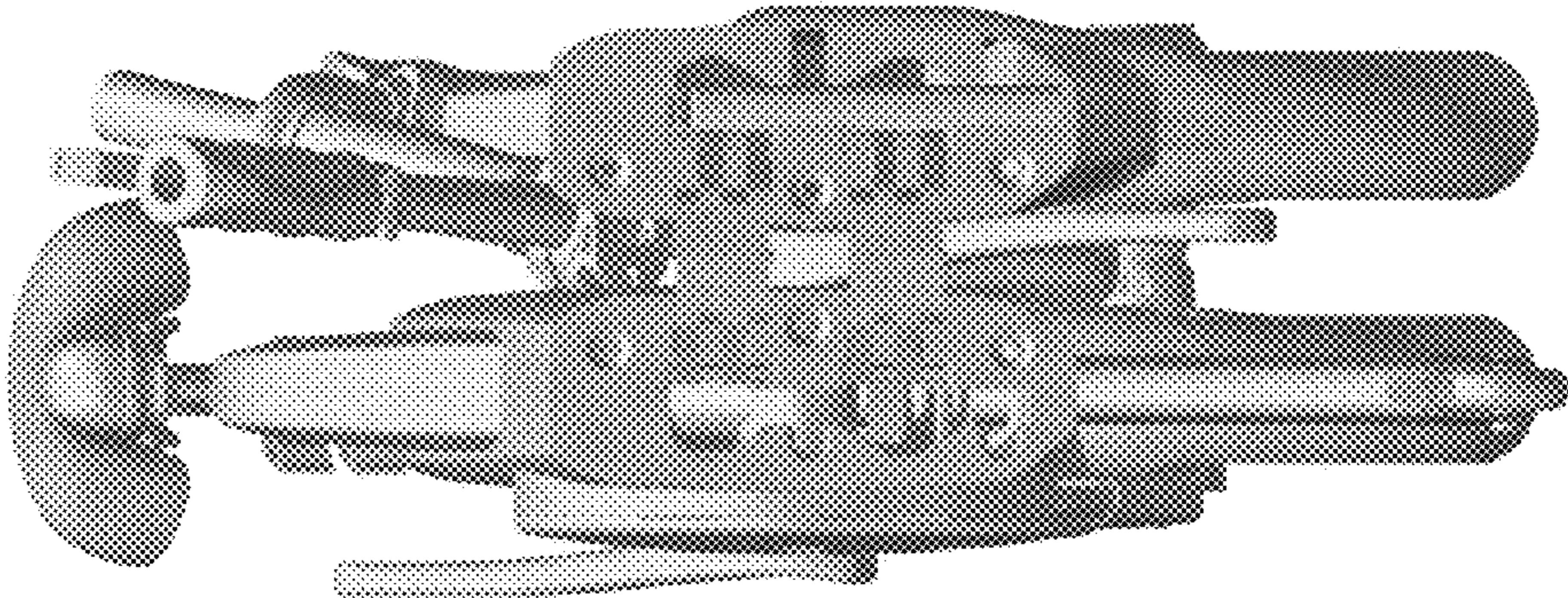


Figure 11



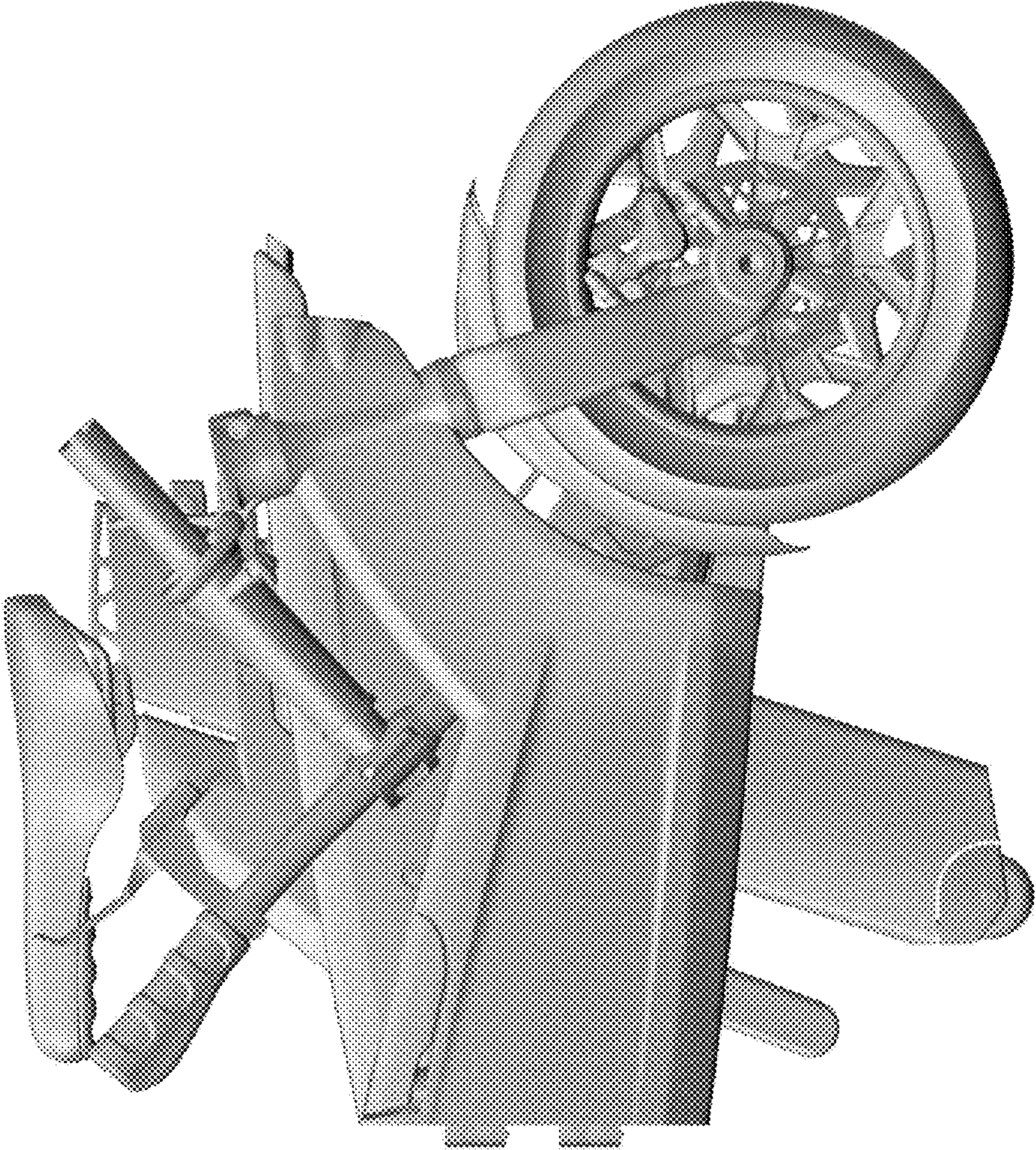


Figure 12



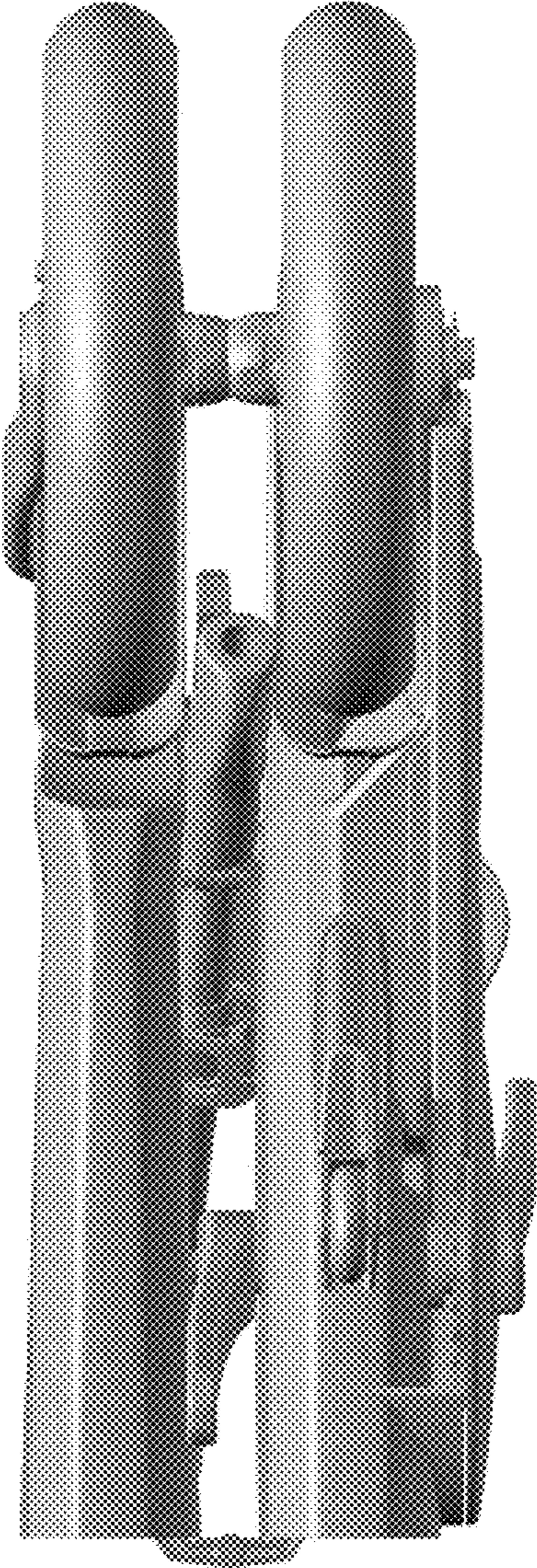


Figure 13

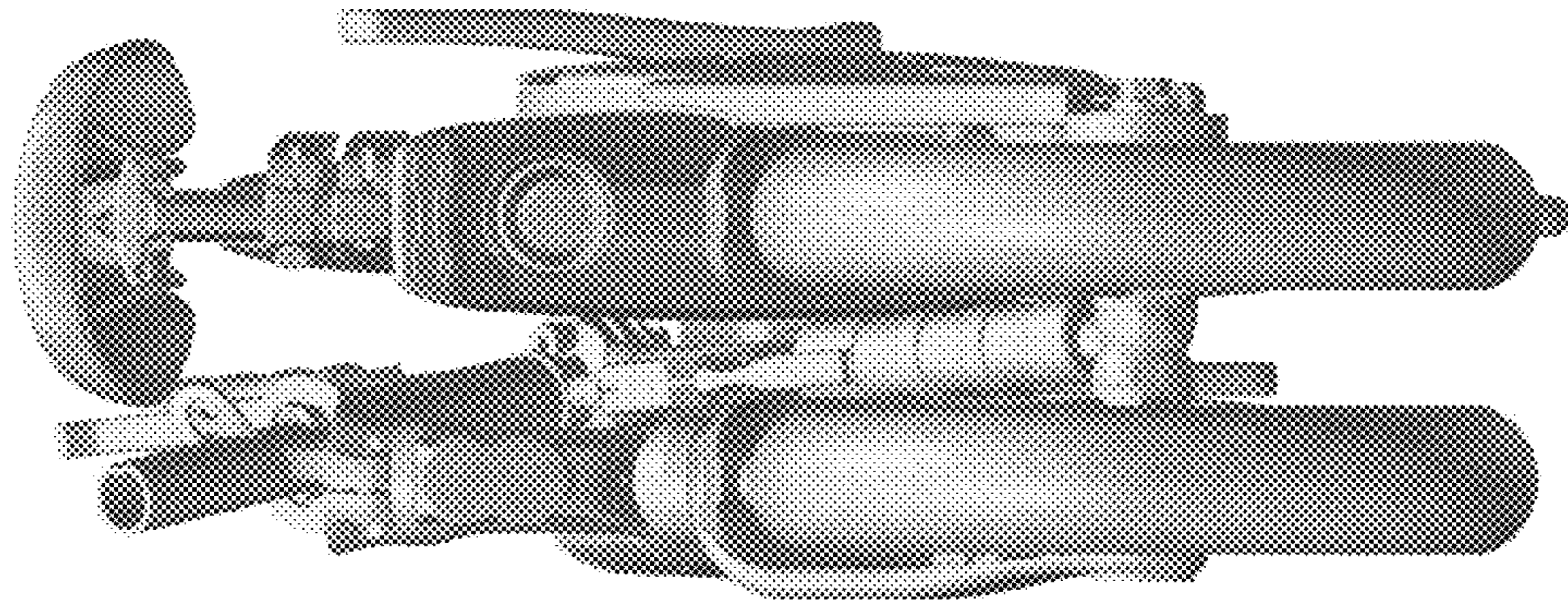


Figure 14



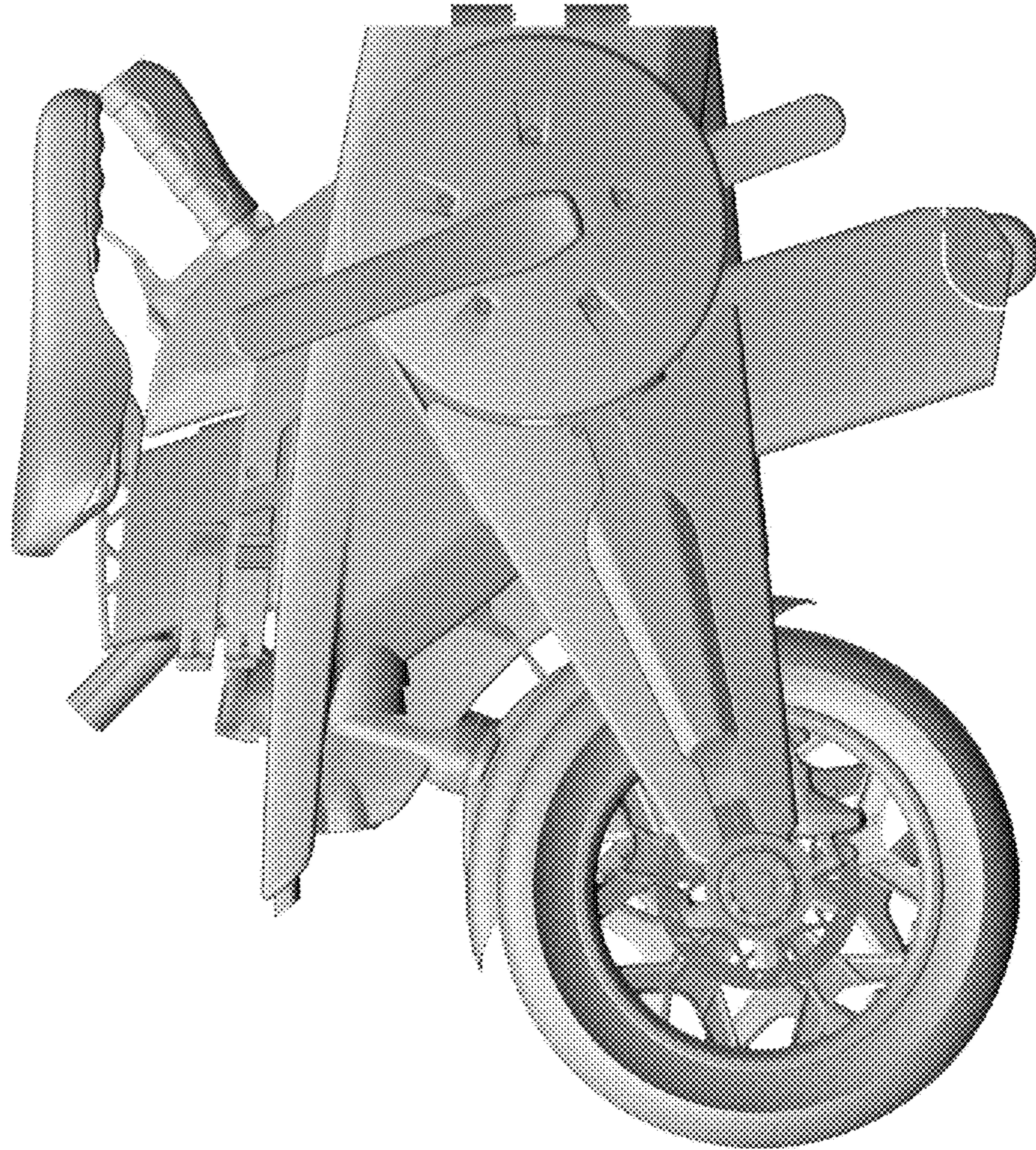


Figure 15



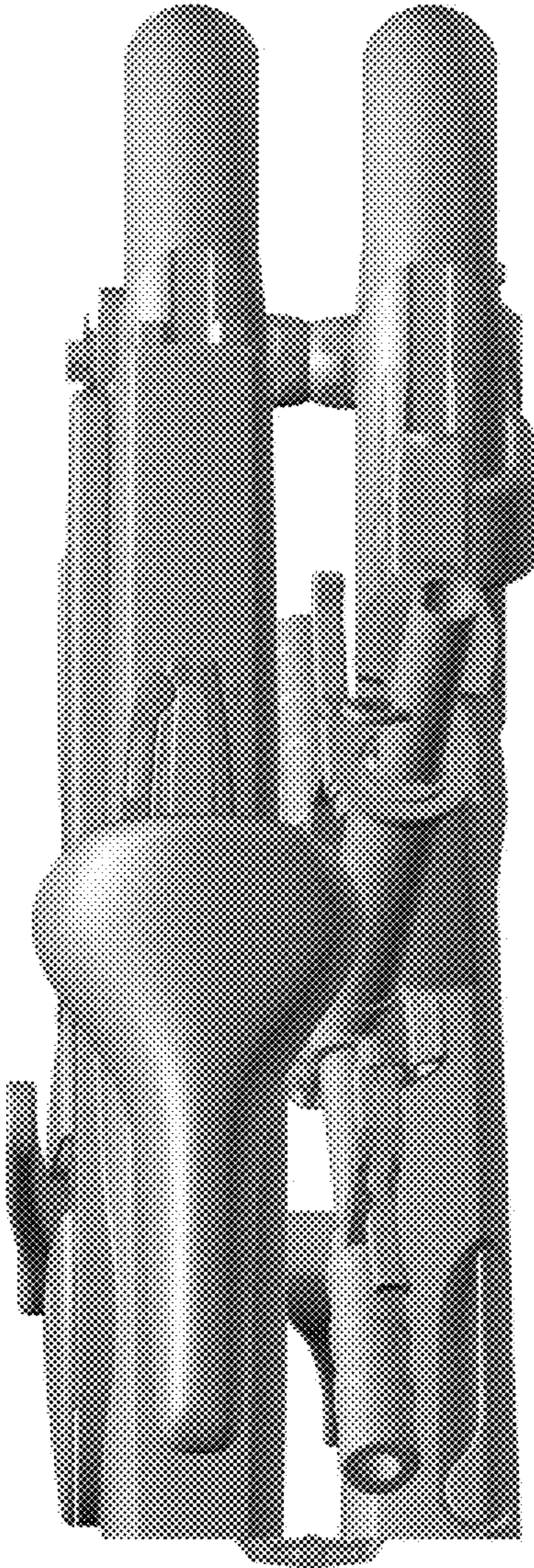


Figure 16