



US00D758234S

(12) **United States Design Patent**
Riddiford et al.

(10) **Patent No.:** **US D758,234 S**
(45) **Date of Patent:** **** Jun. 7, 2016**

(54) **WATCH STRAP**

- (71) Applicant: **TomTom International B.V.**,
Amsterdam (NL)
- (72) Inventors: **Martin Riddiford**, London (GB);
Anthony Nicholas Pond, London (GB);
Liam James O'Brien, London (GB)
- (73) Assignee: **TomTom International B.V.**,
Amsterdam (NL)
- (**) Term: **14 Years**
- (21) Appl. No.: **29/459,615**
- (22) Filed: **Jul. 2, 2013**

(30) **Foreign Application Priority Data**

Jan. 2, 2013 (EM) 002161117-0001

(51) **LOC (10) Cl.** **11-01**

(52) **U.S. Cl.**
USPC **D11/3; D14/344**

(58) **Field of Classification Search**
USPC D11/1-39, 86, 87, 93, 94, 200, 201;
63/1.11-1.17, 3, 3.1, 3.2, 4, 5.1, 5.2,
63/6-11, 15, 15.1-15.4, 15.45, 15.5, 15.6,
63/15.65, 15.7, 21, 22, 24, 25, 33, 38;
D10/30-39, 46, 94; D14/344;
368/276-278, 281-283, 285-287;
D24/167, 186; 224/101, 164, 173, 175,
224/180; 600/390
CPC G04G 17/08; G04G 17/12; G04G 9/00;
G04B 37/1413; G04B 37/1486; G04B
37/0427; G04B 45/0069; Y10T 24/2155;
A44C 5/00; A44C 5/0053

See application file for complete search history.

(56) **References Cited**

U.S. PATENT DOCUMENTS

D366,036	S	*	1/1996	Houlihan	D14/344
D564,904	S	*	3/2008	Leung	D10/31
D589,375	S	*	3/2009	Tang	D10/32
D596,610	S	*	7/2009	Hou	D10/32
D637,094	S	*	5/2011	Cobbett et al.	D10/32
D637,918	S	*	5/2011	Cobbett et al.	D10/31
D638,324	S	*	5/2011	Tang	D10/128
D650,706	S	*	12/2011	Zanella et al.	D10/32
D667,126	S	*	9/2012	Cho et al.	D24/186
D672,255	S	*	12/2012	Zanella et al.	D10/32
D701,504	S	*	3/2014	Christopher et al.	D14/344
D703,204	S	*	4/2014	Riddiford et al.	D14/344
D719,123	S	*	12/2014	Park et al.	D10/38
2010/0061191	A1	*	3/2010	Chen	368/282
2012/0168471	A1	*	7/2012	Wilson	G04B 37/1486
2013/0086943	A1	*	4/2013	Turney	63/1.14

(Continued)

Primary Examiner — Cynthia Ramirez
Assistant Examiner — Llorellys Martinez-Rivera

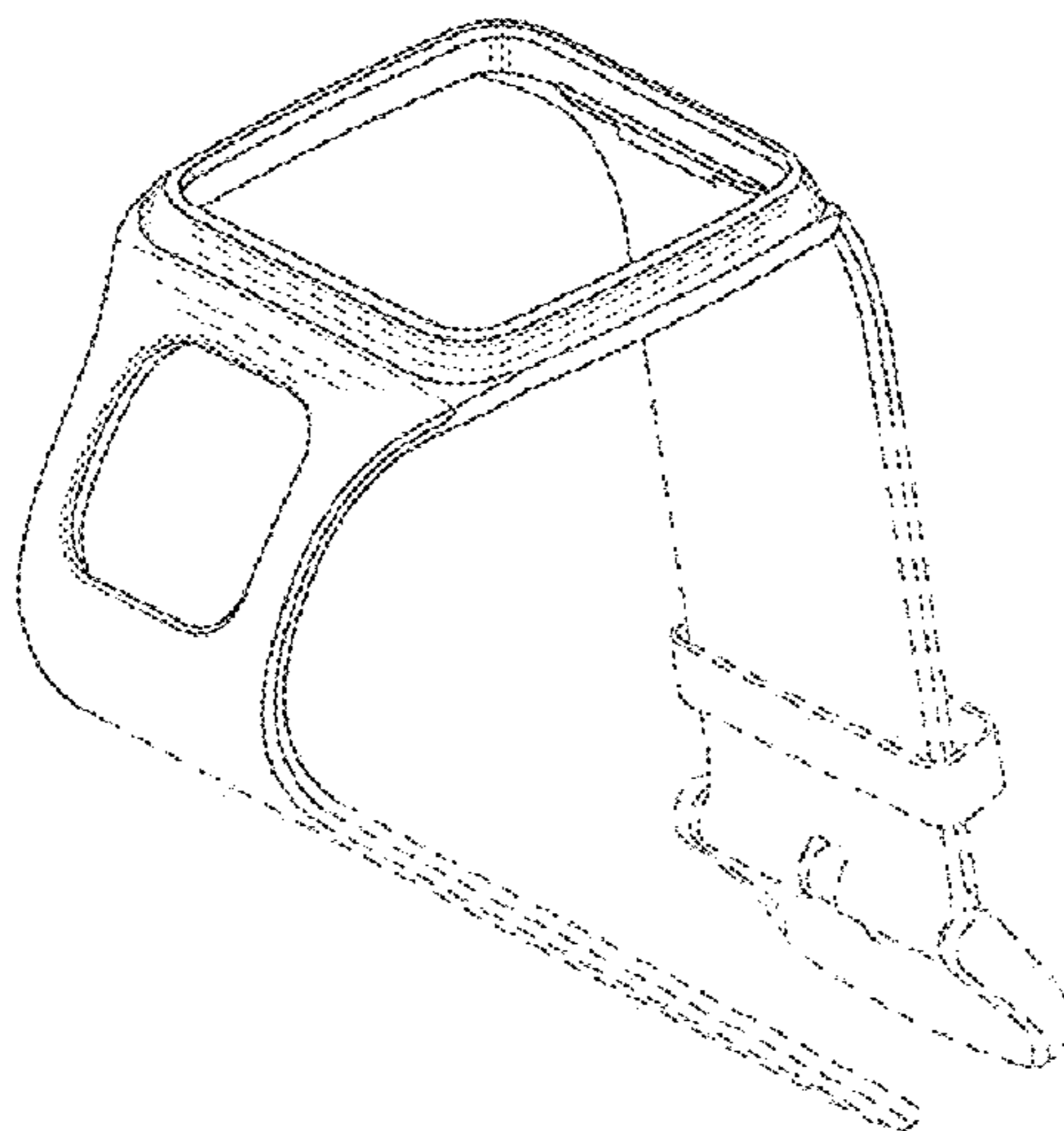
(57) **CLAIM**

The ornamental design for a watch strap, as shown and described.

DESCRIPTION

FIG. 1 is a top perspective view of a watch strap according to the present design.
FIG. 2 is a bottom perspective view of the watch strap.
FIG. 3 is a side view of the watch strap; the opposite side being a mirror image thereof.
FIG. 4 is a front view of the watch strap.
FIG. 5 is a rear view of the watch strap.
FIG. 6 is a bottom view of the watch strap.
FIG. 7 is a top view of the watch strap; and,
FIG. 8 is another perspective view showing the watch strap in an environment of use.
The broken line portions shown in FIGS. 1 to 8 illustrate environmental subject matter only and form no part of the claimed design.

1 Claim, 6 Drawing Sheets



(56)

References Cited

U.S. PATENT DOCUMENTS

2013/0152276	A1*	6/2013	Hsieh et al.	G04G 17/08	
2013/0279306	A1*	10/2013	Jackson	368/282	* cited by examiner
2014/0083133	A1*	3/2014	Lee et al.	63/3.1	
2015/0105671	A1*	4/2015	Shibuya et al.	G04B 37/1486	
2015/0164189	A1*	6/2015	Wilson	G04B 37/1486	

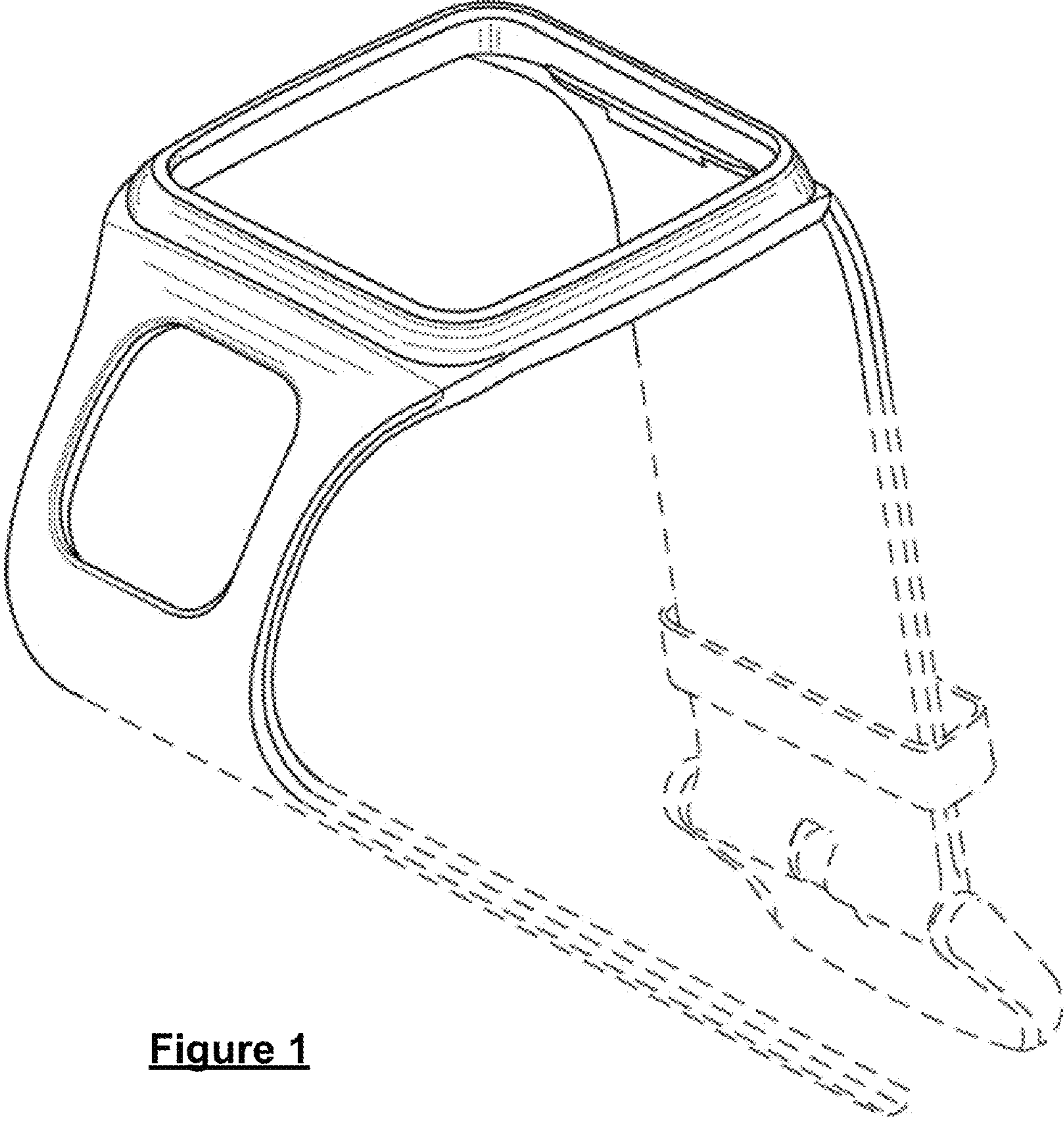


Figure 1

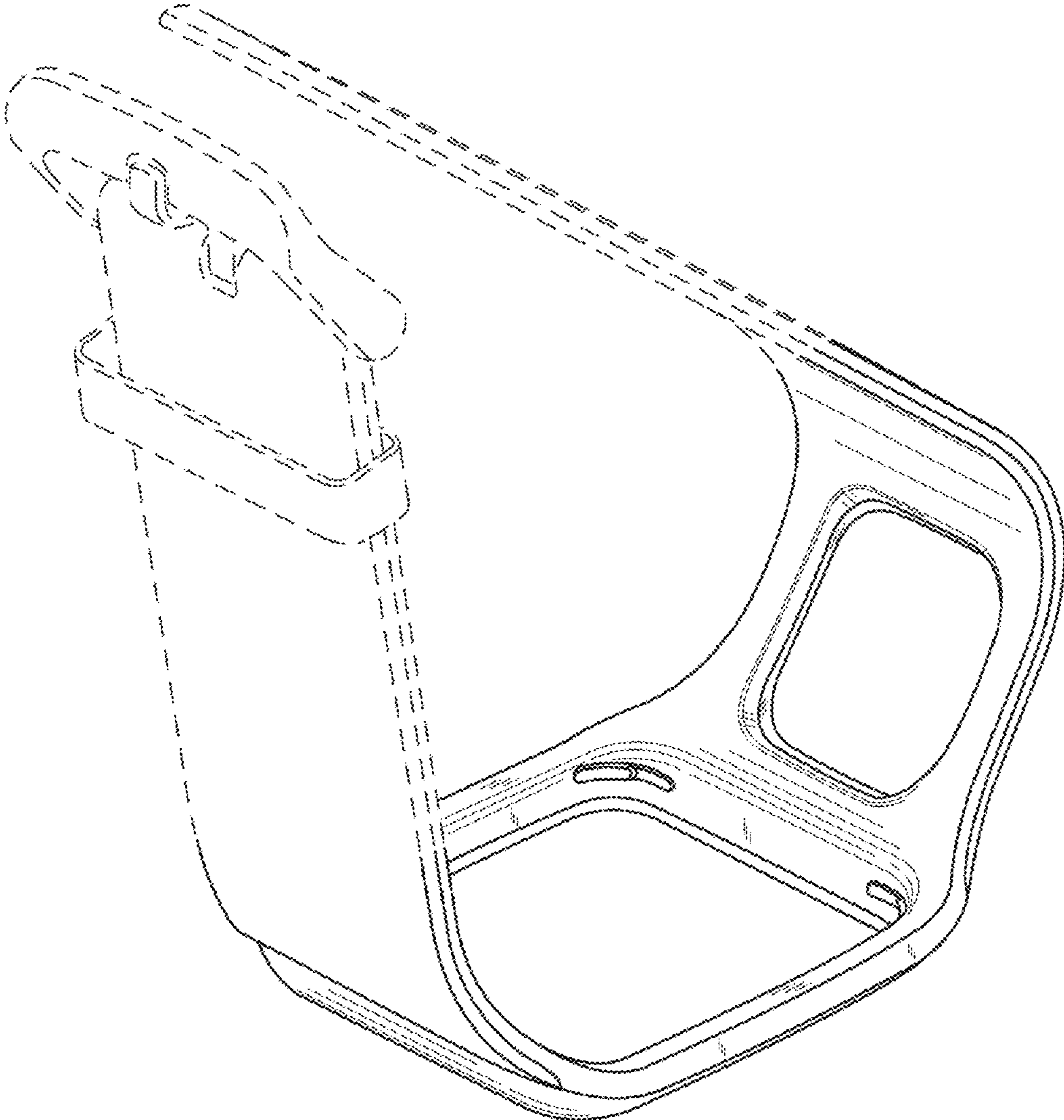


Figure 2

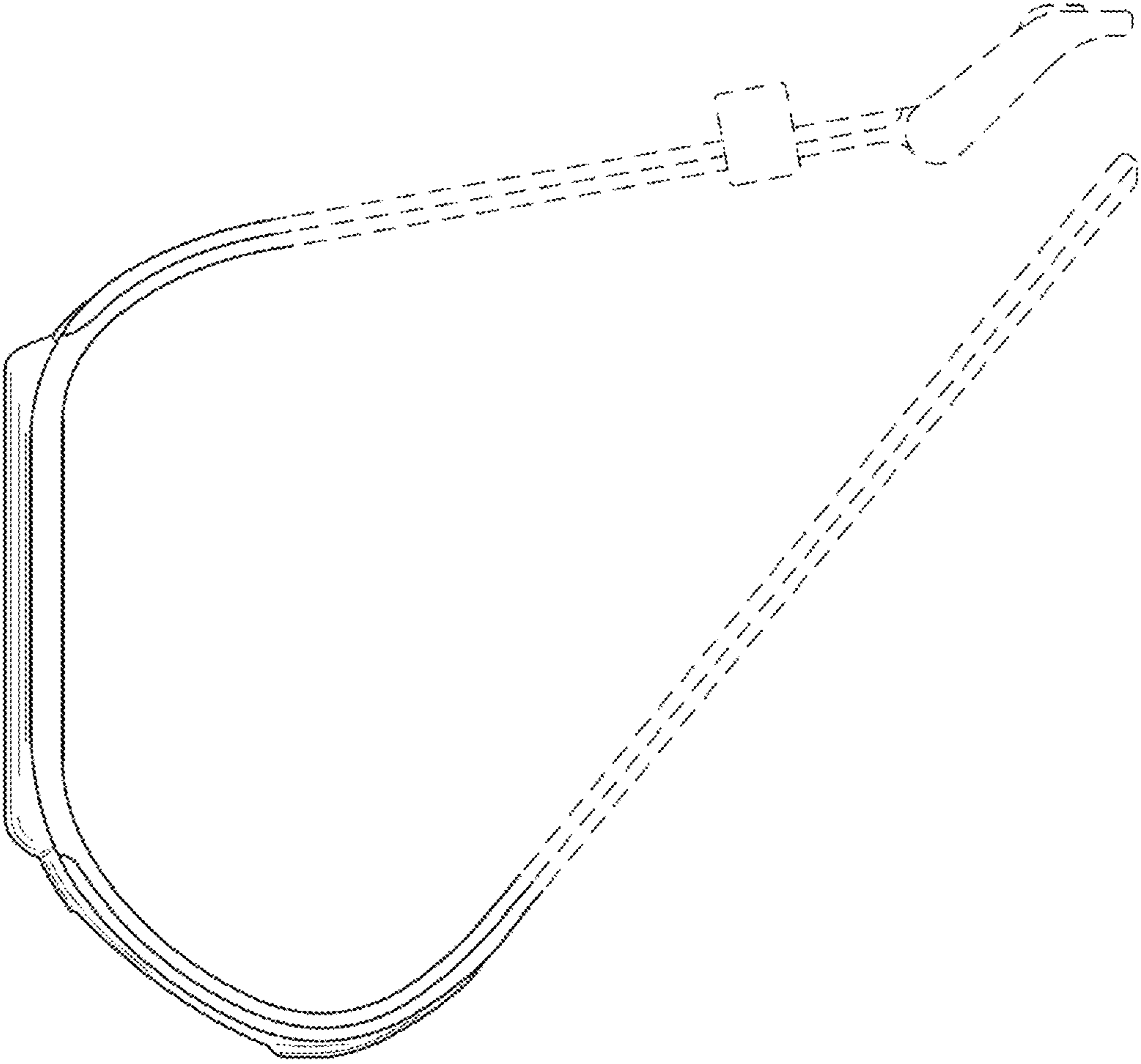


Figure 3

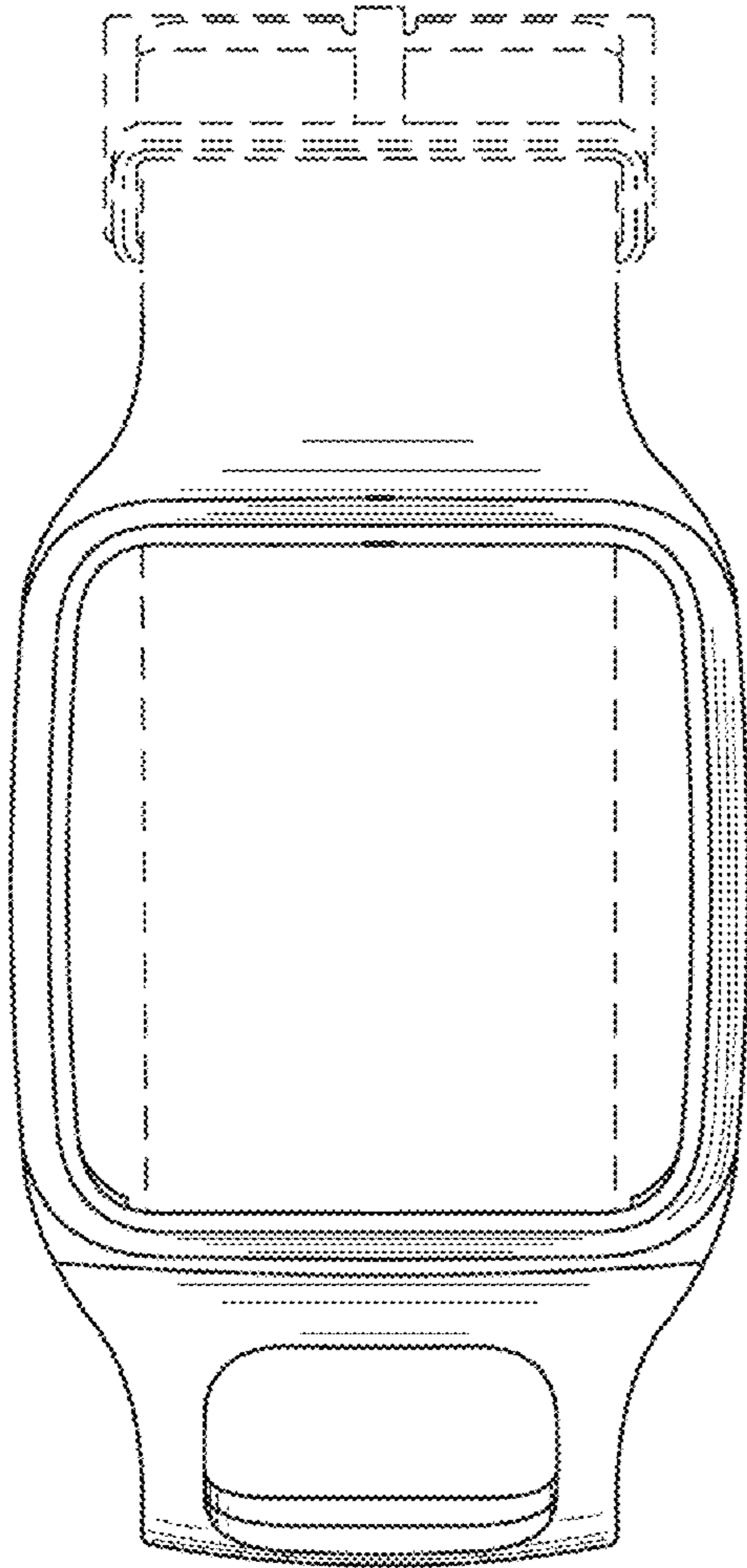


Figure 4

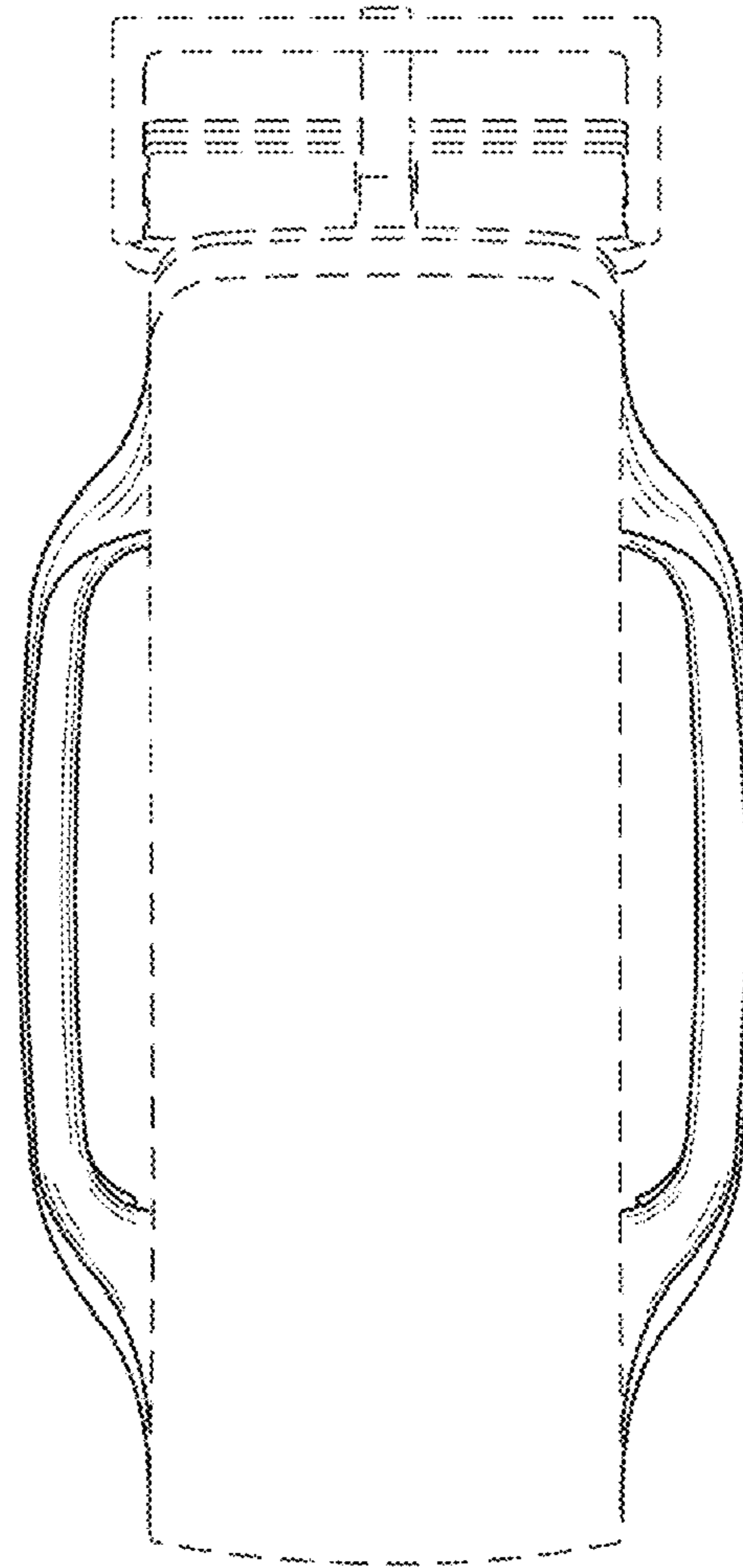


Figure 5

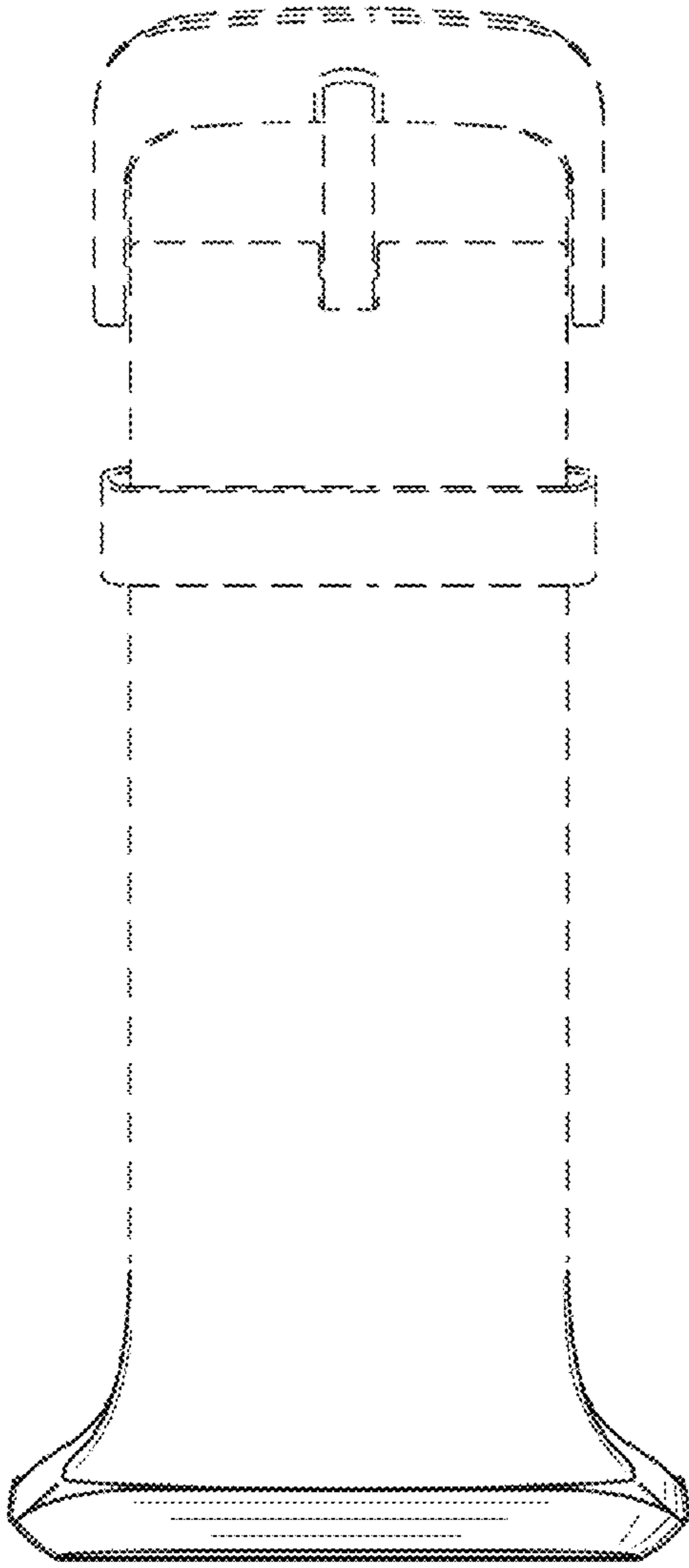


Figure 6

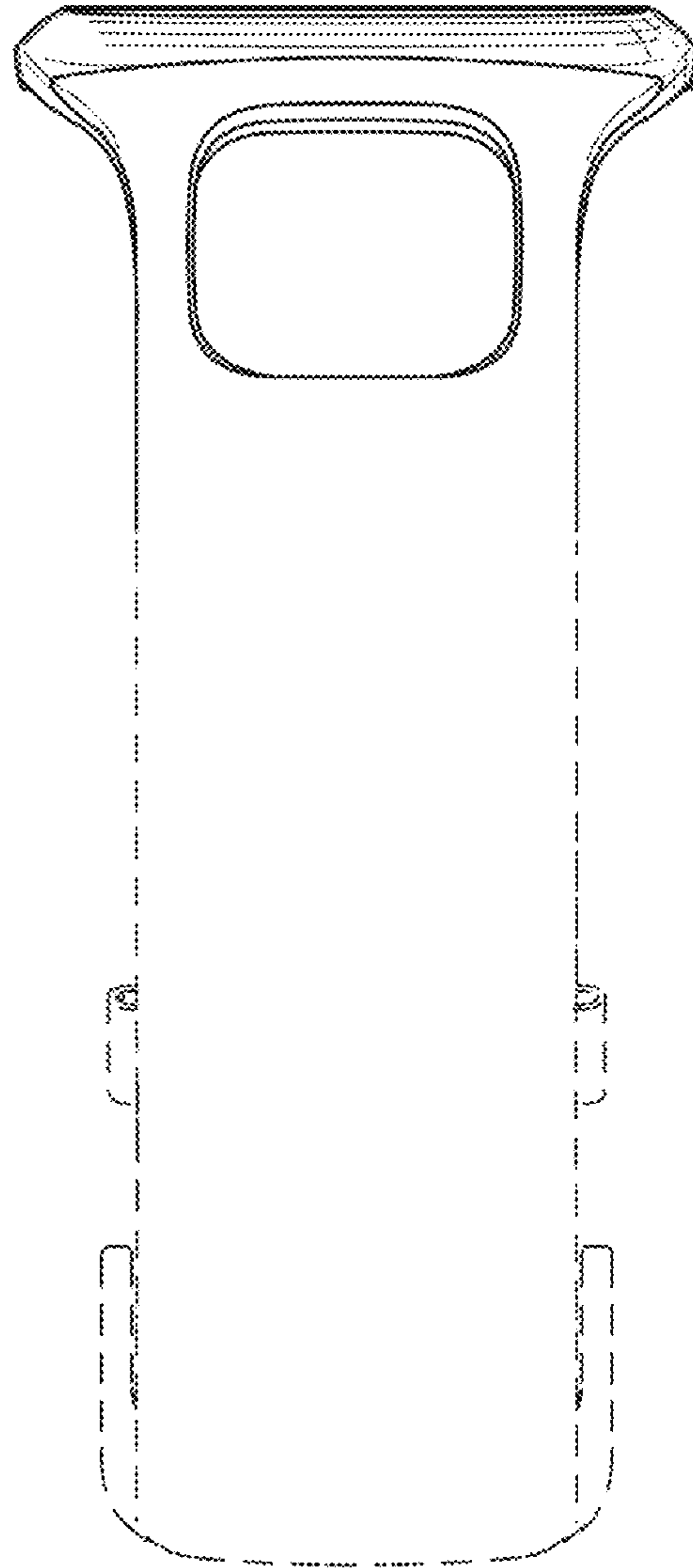


Figure 7

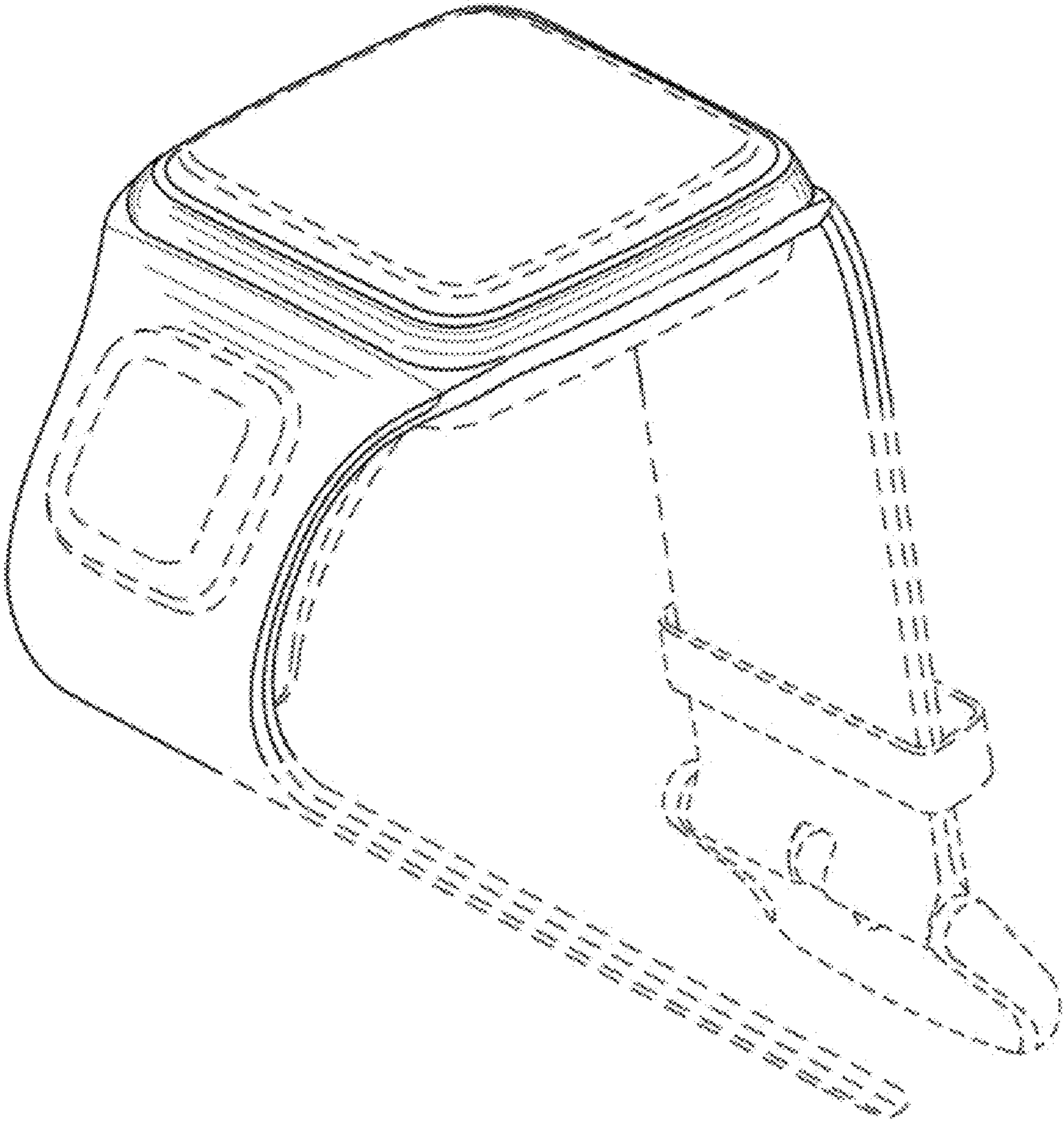


Figure 8