



US00D758231S

(12) **United States Design Patent**
Hoßbach et al.

(10) **Patent No.:** **US D758,231 S**
(45) **Date of Patent:** **** Jun. 7, 2016**

(54) **EMERGENCY SIGNALING DEVICE**

7,217,006 B2 * 5/2007 Trenchard F21V 5/045
362/235

(71) Applicant: **R. Stahl Schaltgeräte GmbH,**
Waldenburg (DE)

D544,805 S * 6/2007 Corrigan D10/111
D709,782 S * 7/2014 Stuffle D10/114.1

(72) Inventors: **André Hoßbach,** Erfurt (DE); **Matthew John McDougall,** Weimar (DE)

(73) Assignee: **R. Stahl Schaltgeräte GmbH,**
Waldenburg (DE)

(**) Term: **14 Years**

(21) Appl. No.: **29/507,738**

(22) Filed: **Oct. 30, 2014**

(30) **Foreign Application Priority Data**

May 2, 2014 (EM) 002457036-0001

(51) **LOC (10) Cl.** **10-05**

(52) **U.S. Cl.**
USPC **D10/114.2**

(58) **Field of Classification Search**
USPC D10/114.1, 114.2, 114.8
CPC G08B 5/36; F21V 5/045
See application file for complete search history.

(56) **References Cited**

U.S. PATENT DOCUMENTS

D186,919 S * 12/1959 Brown D10/114.1
D226,454 S * 3/1973 Davidson et al. D10/114.8
D232,185 S 7/1974 Rhoades et al.
D266,061 S * 9/1982 Wenzlaff D10/114.2
D336,689 S 6/1993 Hung
D349,256 S 8/1994 Bellinger et al.
D349,968 S 8/1994 Elliott
D391,186 S 2/1998 Fagence
D441,108 S 4/2001 Poon
D515,717 S 2/2006 Cormier et al.

OTHER PUBLICATIONS

Notice of Allowance in related U.S. Appl. No. 29/500,421, dated Oct. 1, 2015, 6 pages.

Notice of Allowance in related U.S. Appl. No. 29/500,435, dated Oct. 5, 2015, 6 pages.

* cited by examiner

Primary Examiner — George D Kirschbaum

(74) *Attorney, Agent, or Firm* — Fitch, Even, Tabin & Flannery LLP

(57) **CLAIM**

We claim the ornamental design for an emergency signaling device, as shown and described.

DESCRIPTION

FIG. 1 is a top perspective view of my new design comprising an emergency signaling device;

FIG. 2 is a left view of the emergency signaling device of FIG. 1;

FIG. 3 is a back side view of the emergency signaling device of FIG. 1;

FIG. 4 is a front view of the emergency signaling device of FIG. 1;

FIG. 5 is a right side view of the emergency signaling device of FIG. 1;

FIG. 6 is a top side view of the emergency signaling device of FIG. 1; and,

FIG. 7 is a bottom view of the emergency signaling device of FIG. 1.

1 Claim, 7 Drawing Sheets

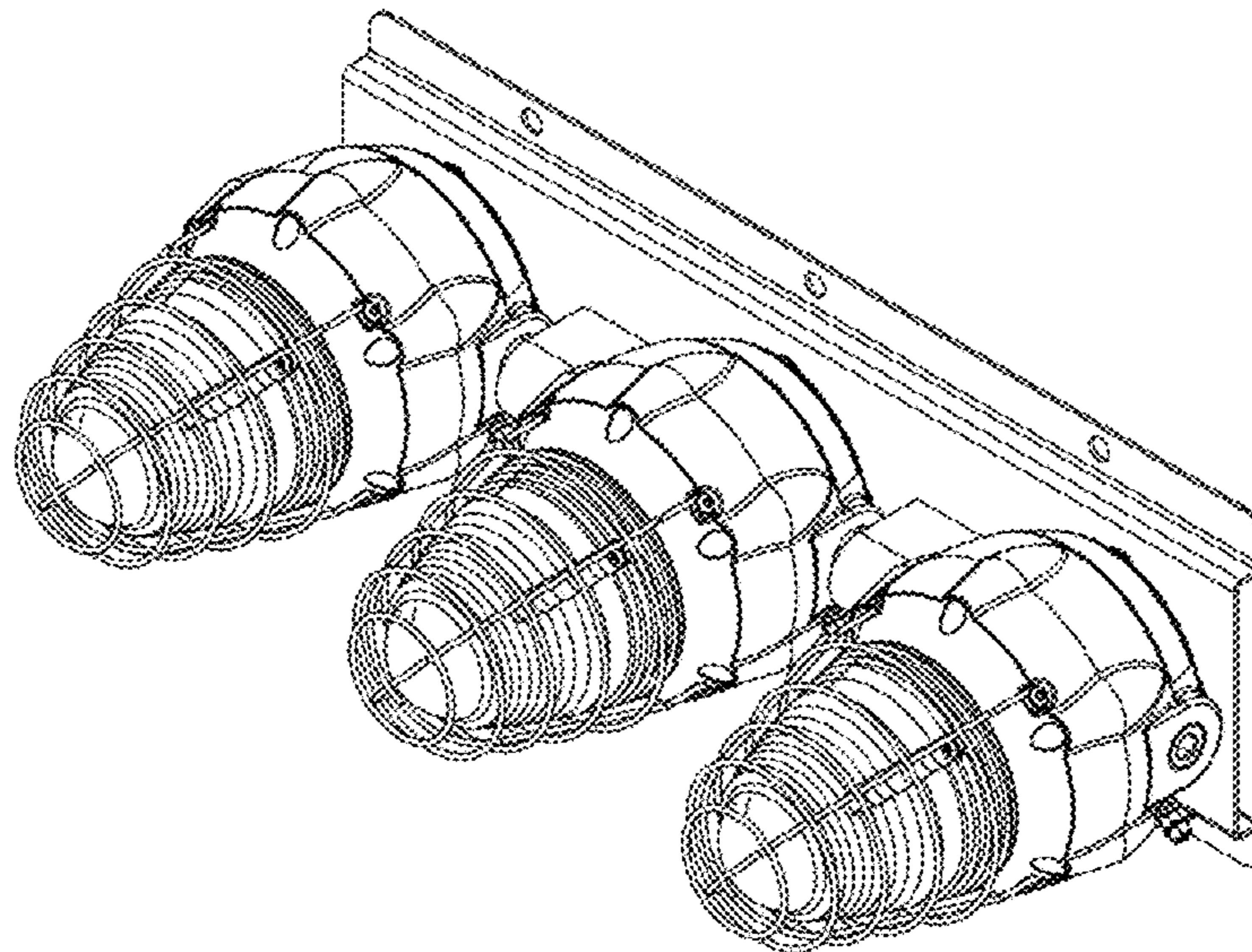


FIG. 1

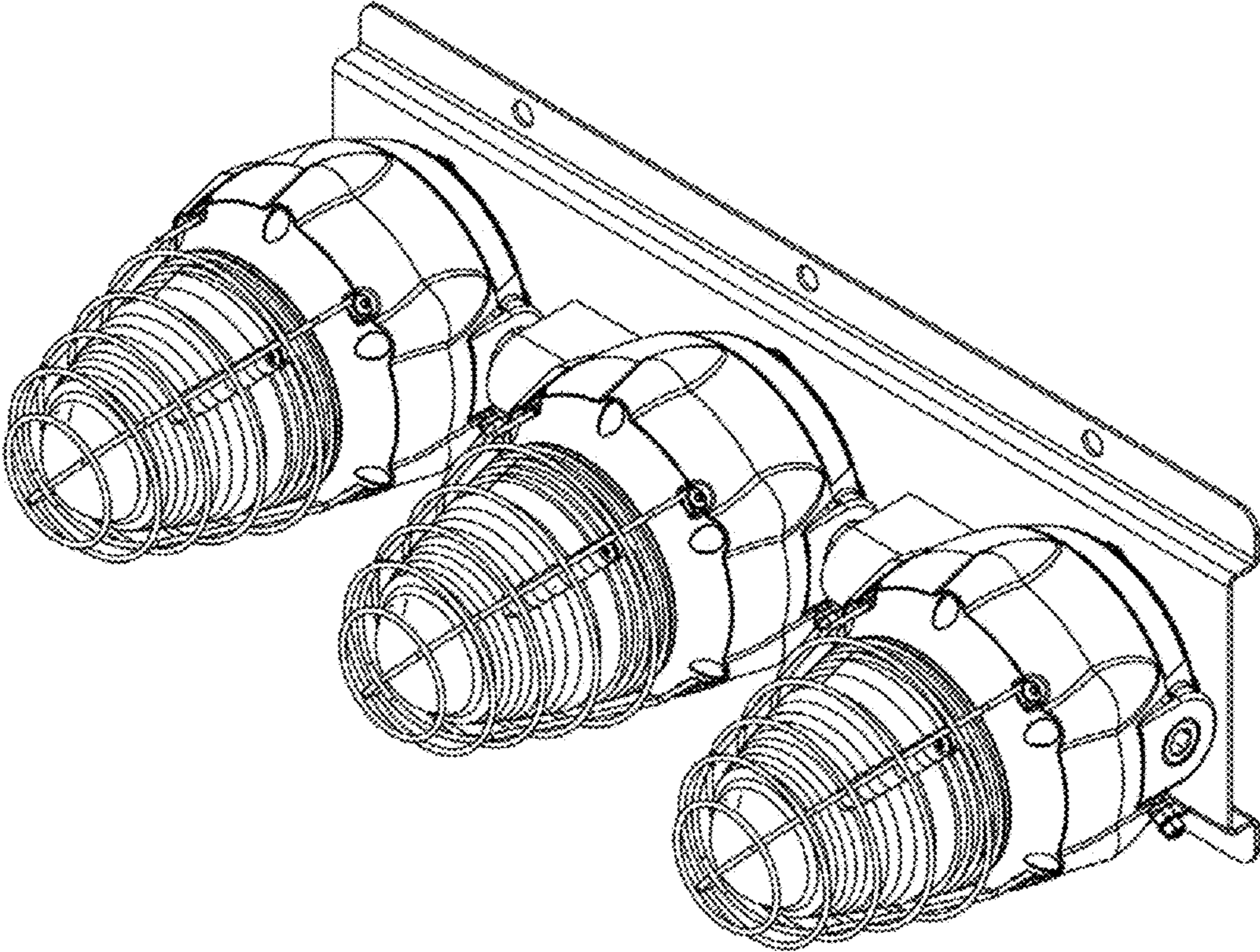


FIG. 2

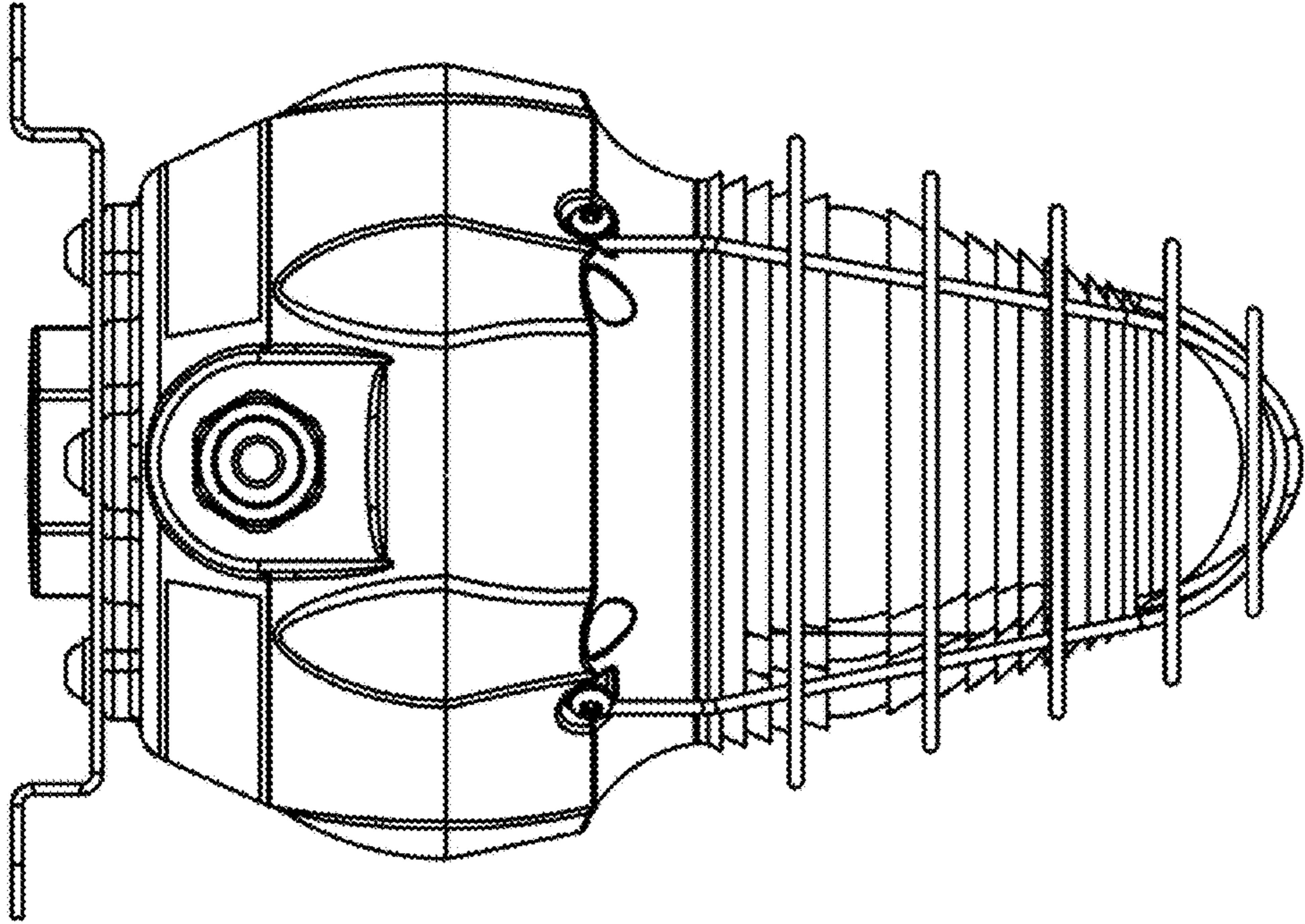


FIG. 3

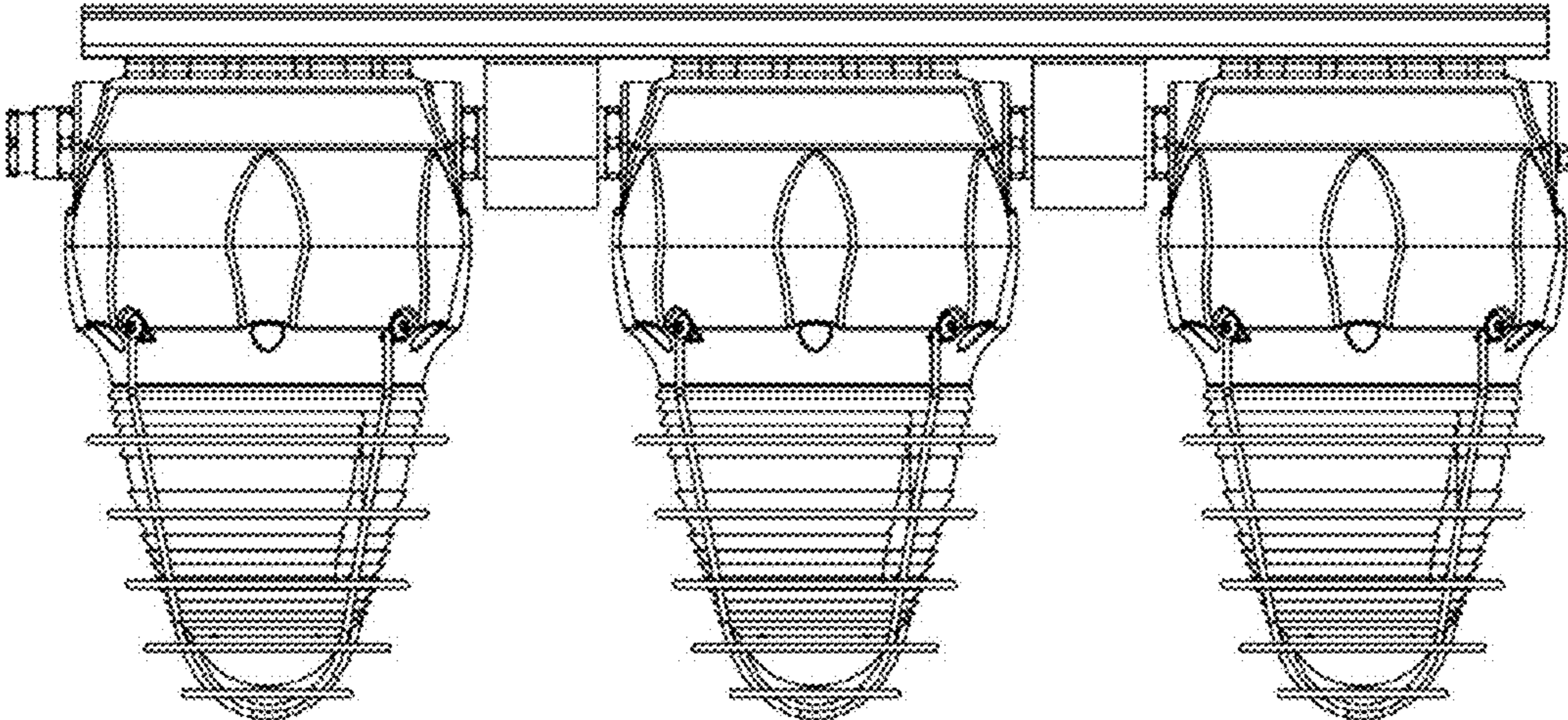


FIG. 4

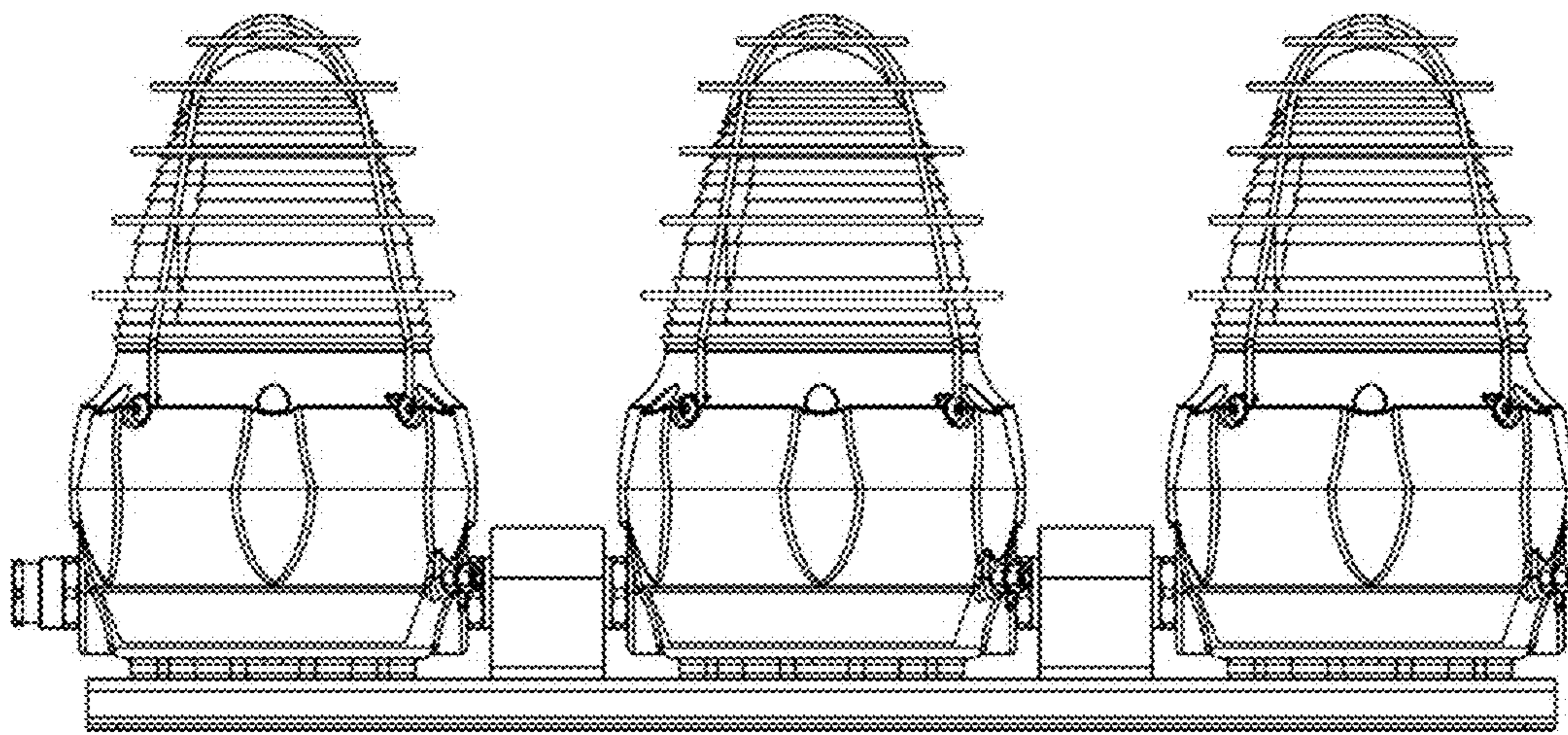


FIG. 5

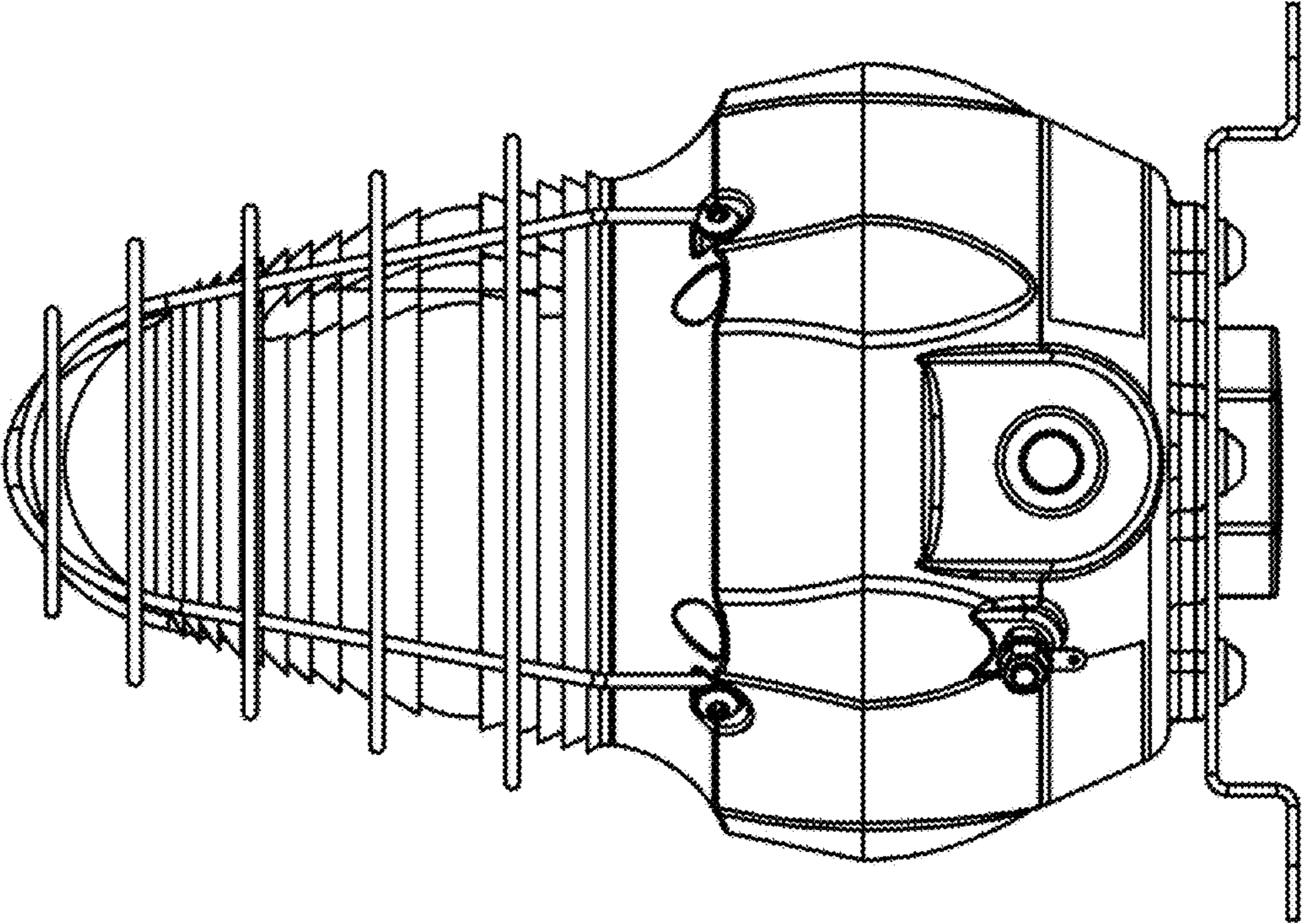


FIG. 6

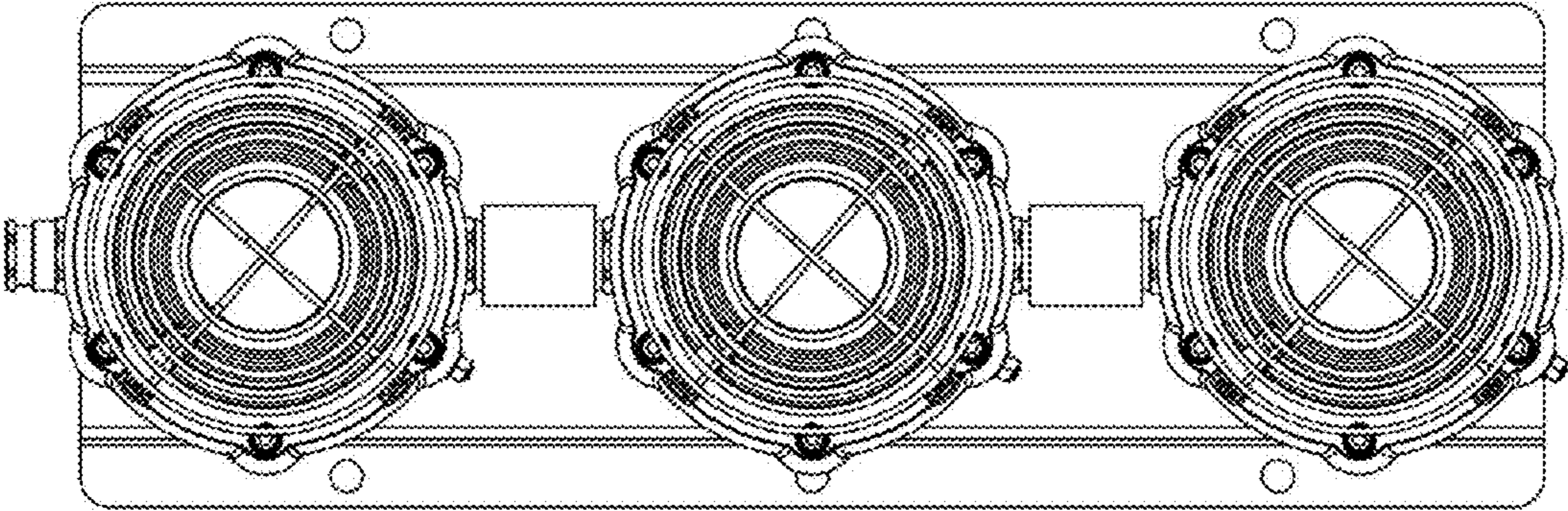


FIG. 7

