



US00D758229S

(12) **United States Design Patent**
Cardinal et al.

(10) **Patent No.:** **US D758,229 S**
(45) **Date of Patent:** **** Jun. 7, 2016**

(54) **VERTICALLY ARRANGED SMOKE
DETECTOR**

D368,041 S 3/1996 Skog
D400,461 S 11/1998 Cardinal
8,541,124 B2 * 9/2013 Lenkszus G08B 29/181
429/100
8,741,462 B1 * 6/2014 Lenkszus H01M 2/1022
429/100

(71) Applicants: **Lawrence J. Cardinal**, Bruceville, IN
(US); **Zachary J. Cardinal**, Bruceville,
IN (US)

* cited by examiner

(72) Inventors: **Lawrence J. Cardinal**, Bruceville, IN
(US); **Zachary J. Cardinal**, Bruceville,
IN (US)

Primary Examiner — George D Kirschbaum
(74) *Attorney, Agent, or Firm* — Woodard, Emhardt,
Moriarty, McNett & Henry LLP

(**) Term: **14 Years**

(57) **CLAIM**

(21) Appl. No.: **29/519,055**

The ornamental design for a vertically arranged smoke detec-
tor, as shown and described.

(22) Filed: **Mar. 2, 2015**

DESCRIPTION

(51) **LOC (10) Cl.** **10-05**

(52) **U.S. Cl.**
USPC **D10/106.2**

(58) **Field of Classification Search**
USPC D10/106.6, 104.1, 106.5, 70, 106.2
CPC G08B 17/107; G05D 23/1917; G05D
23/1904

See application file for complete search history.

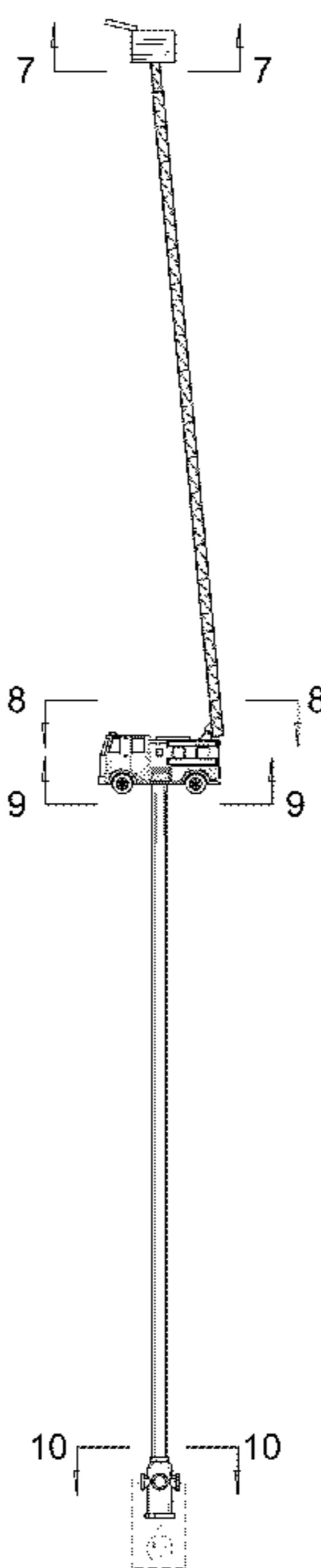
FIG. 1 is a front view of the smoke detector incorporating our
new design with the broken line showing for illustrative pur-
poses only and forming no part of the claimed design;
FIG. 2 is a right side view;
FIG. 3 is a left side view;
FIG. 4 is an enlarged top view;
FIG. 5 is an enlarged bottom view;
FIG. 6 is a rear view;
FIG. 7 is an enlarged cross-sectional view taken along the line
7-7 and viewed in the direction of the arrows;
FIG. 8 is an enlarged cross-sectional view taken along the line
8-8 and viewed in the direction of the arrows;
FIG. 9 is an enlarged cross-sectional view taken along the line
9-9 and viewed in the direction of the arrows; and,
FIG. 10 is an enlarged cross-sectional view taken along the
line 10-10 and viewed in the direction of the arrows.

(56) **References Cited**

U.S. PATENT DOCUMENTS

4,567,477 A * 1/1986 Cormier G08B 17/00
200/308
4,600,314 A * 7/1986 Theriault G08B 17/10
250/381
D320,571 S 10/1991 Ray
D333,796 S 3/1993 Bannon
D337,734 S 7/1993 Platt

1 Claim, 4 Drawing Sheets



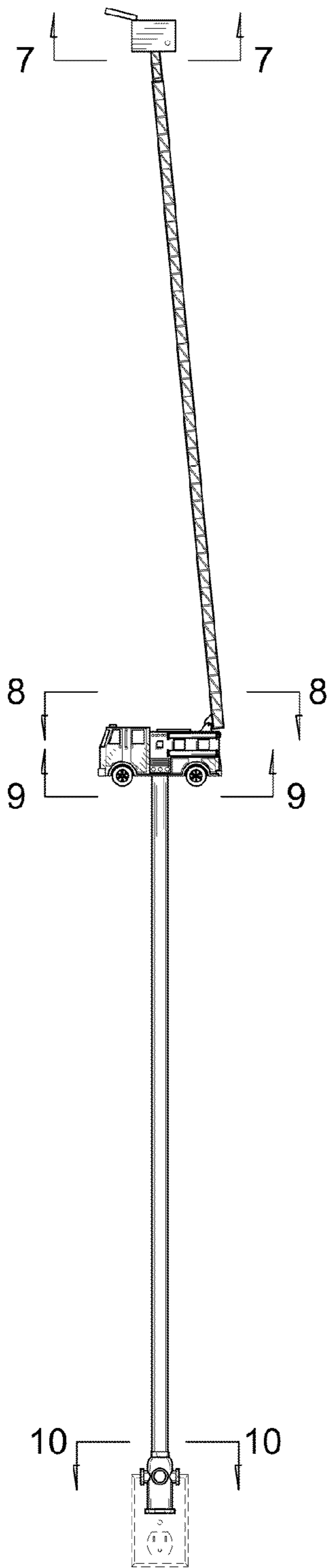


Fig. 1

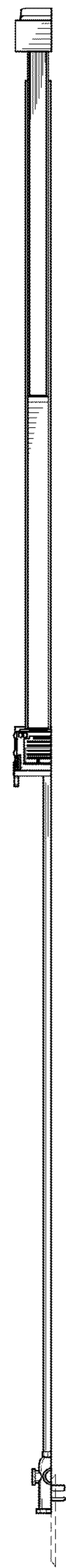


Fig. 2

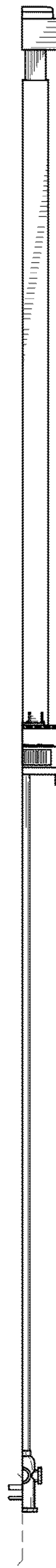


Fig. 3

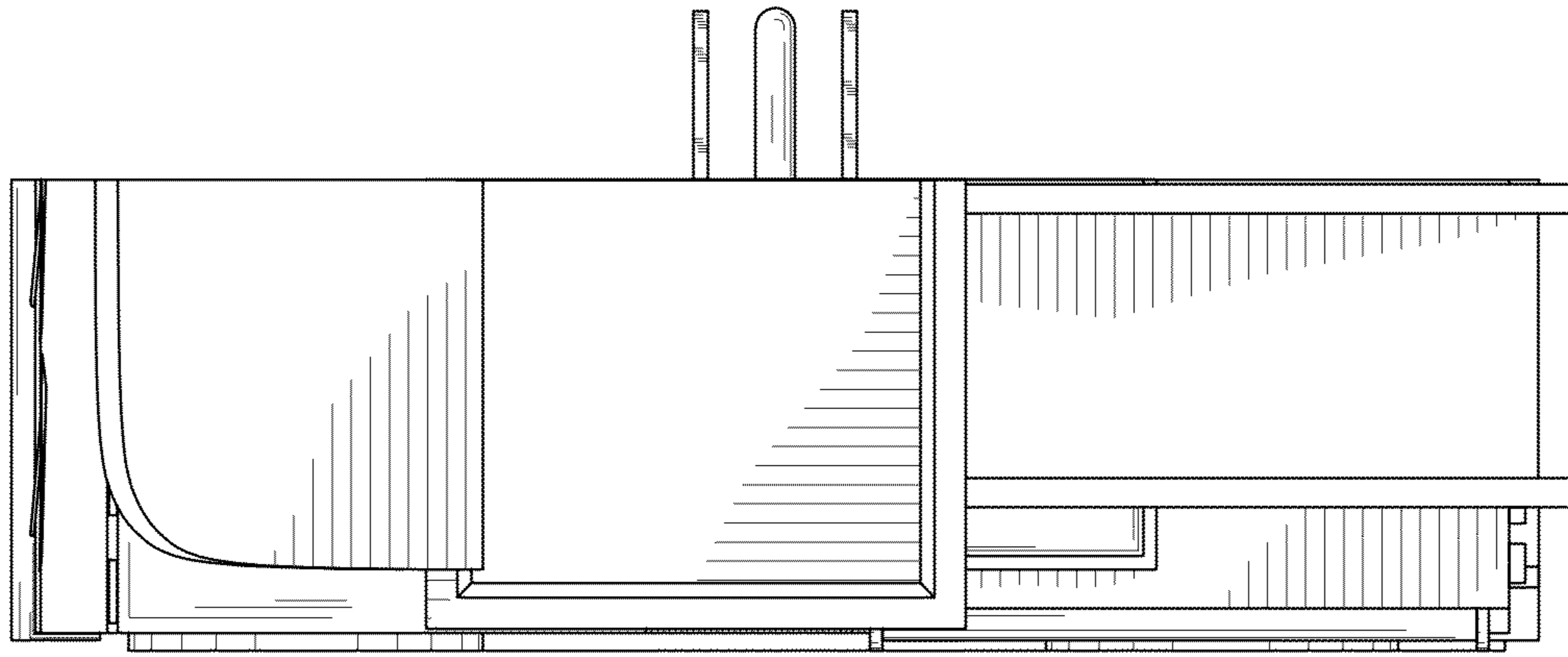


Fig. 4

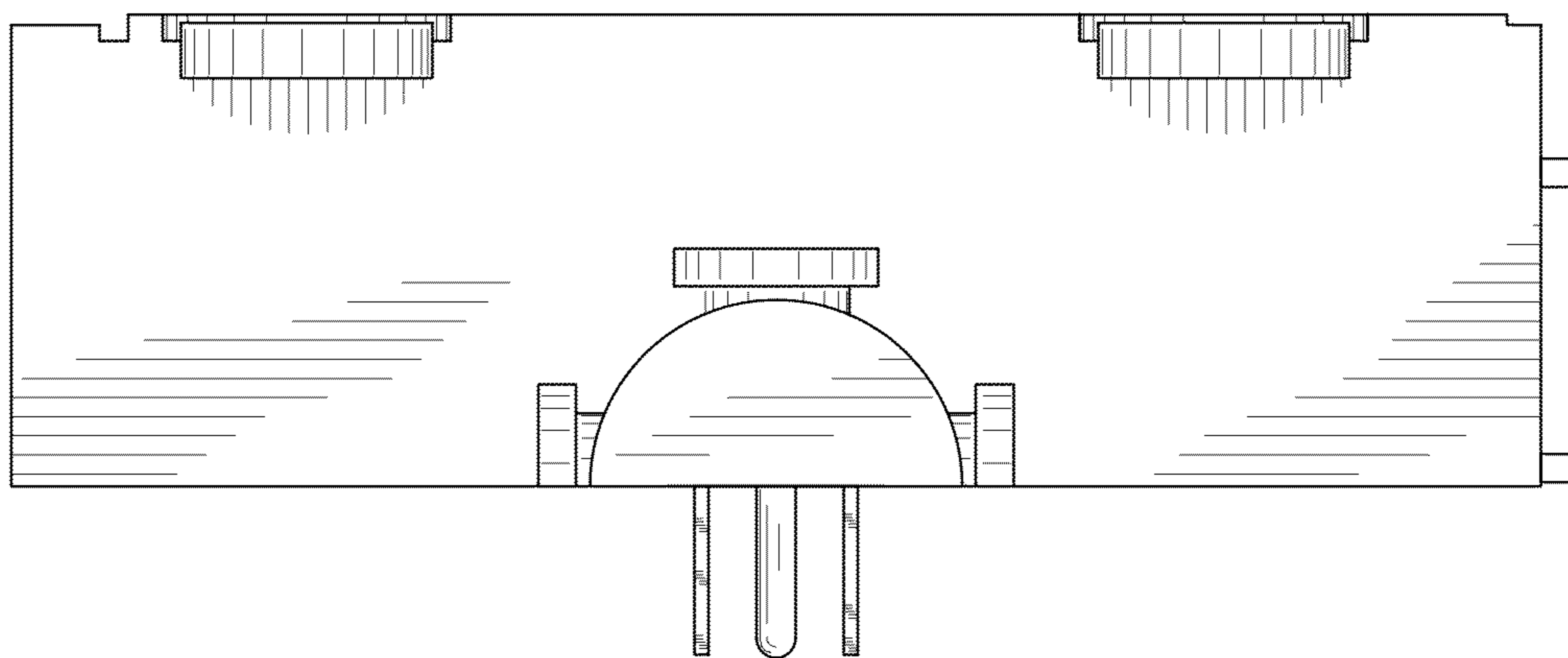


Fig. 5

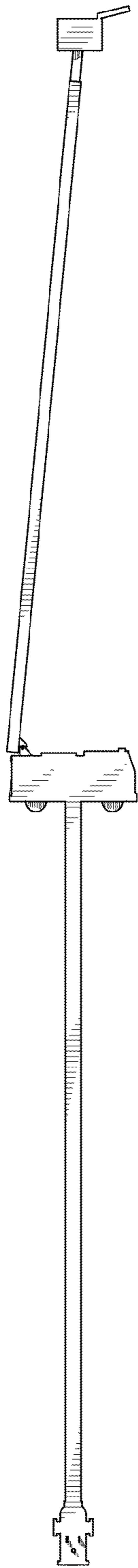


Fig. 6

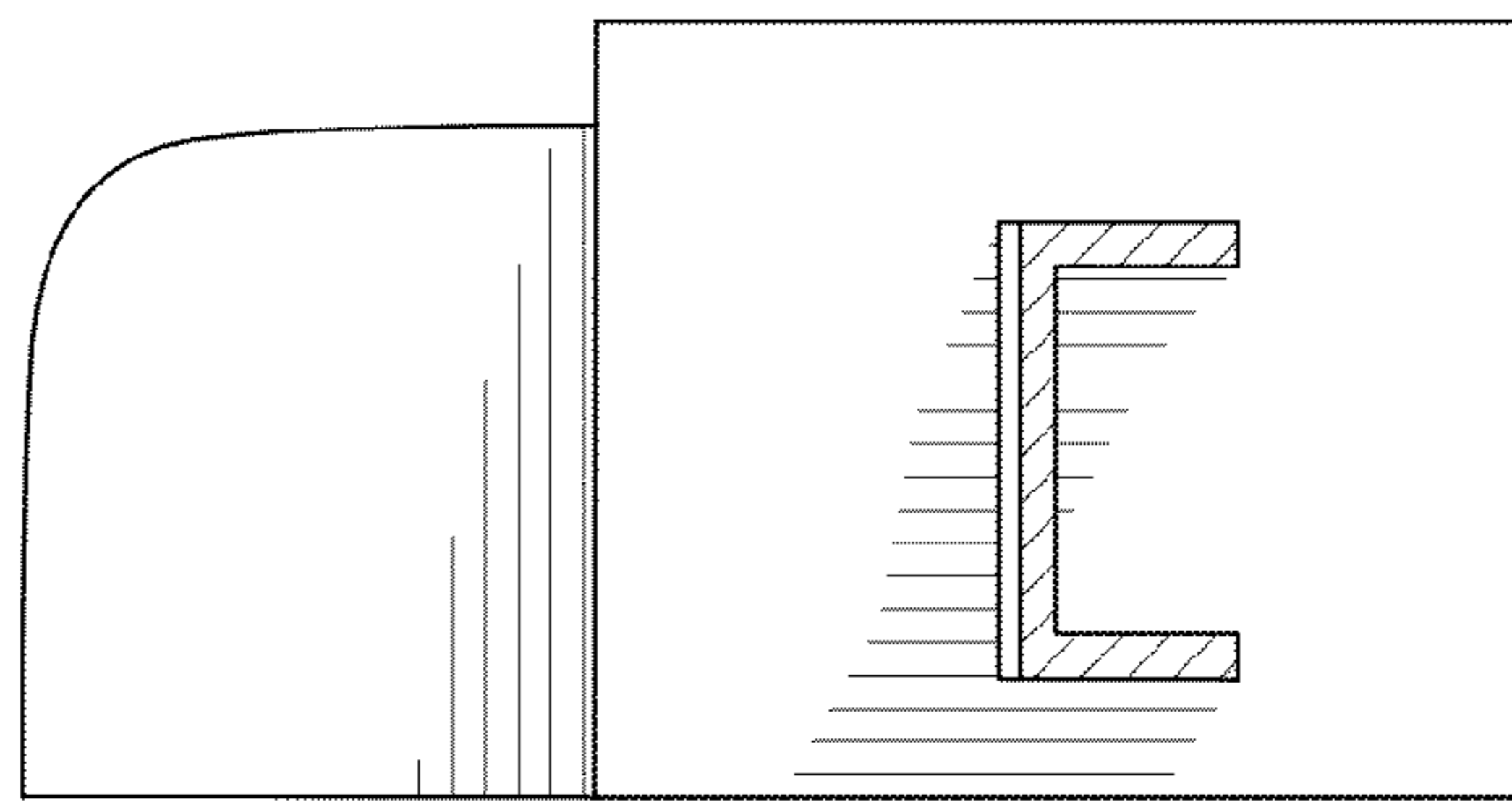


Fig. 7

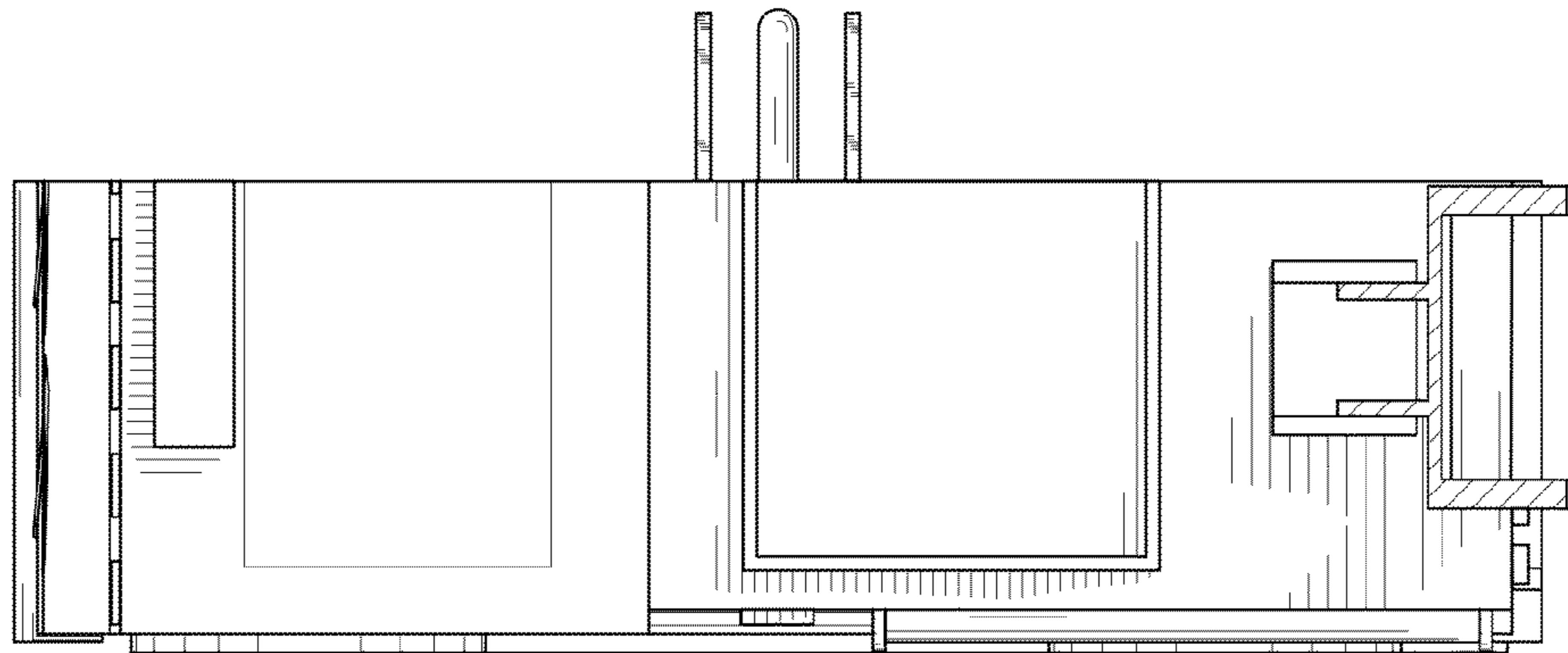


Fig. 8

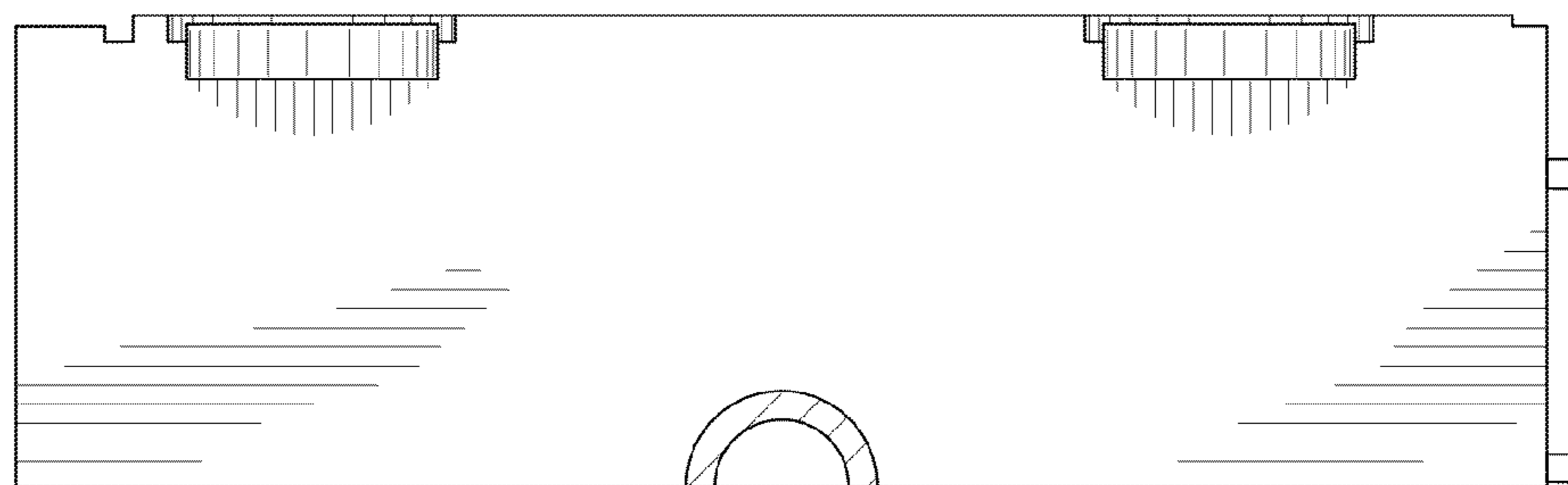


Fig. 9

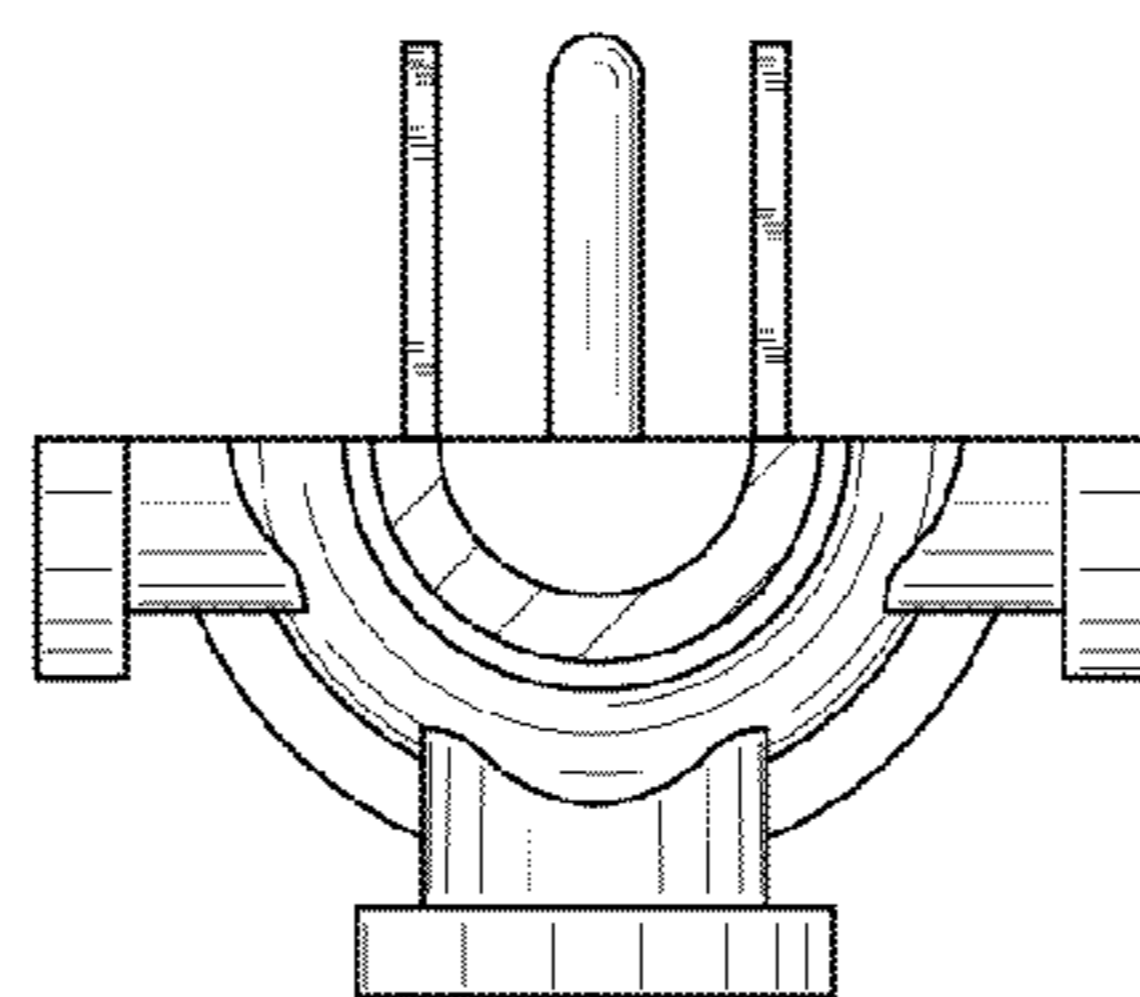


Fig. 10