



US00D758227S

(12) **United States Design Patent**
Thirouin

(10) **Patent No.:** **US D758,227 S**
(45) **Date of Patent:** **** Jun. 7, 2016**

(54) **KITCHEN SCALE**

FOREIGN PATENT DOCUMENTS

(71) Applicant: **TEFAL**, Rumilly (FR)
(72) Inventor: **Stéphane Thirouin**, Ecully (FR)
(73) Assignee: **TEFAL**, Rumilly (FR)
(**) Term: **14 Years**
(21) Appl. No.: **29/518,633**

EM	000424775-0001	2/2005
EM	000317136-0004	3/2005
EM	000317136-0008	3/2005
EM	000476452-0001	2/2006
EM	000477914-0002	2/2006
EM	000969217-0001	7/2008
EM	000982970-0001	8/2008
EM	001263644-0001	9/2010
EM	002056176-0001	6/2012
EM	002211466-0001	3/2013

(22) Filed: **Feb. 25, 2015**

* cited by examiner

(30) **Foreign Application Priority Data**

Primary Examiner — Antoine D Davis

Sep. 29, 2014 (EM) 002546887-0001

(74) *Attorney, Agent, or Firm* — Loeb & Loeb LLP

(51) **LOC (10) Cl.** **10-04**

(57) **CLAIM**

(52) **U.S. Cl.**

The ornamental design for kitchen scale, as shown and described.

USPC **D10/91**

(58) **Field of Classification Search**

DESCRIPTION

USPC D10/91-92

CPC G01G 3/00-3/18; G01G 7/00-7/06;

G01G 5/00-5/06; G01G 1/00-1/42; G01G

9/00-9/005; G01G 11/00-11/20; G01G

13/00-13/34; G01G 15/00-15/047; G01G

17/00-17/08

See application file for complete search history.

FIG. 1 is a perspective view of an embodiment of kitchen scale showing my new design.

FIG. 2 is a front elevational view of the kitchen scale of FIG. 1.

FIG. 3 is a rear elevational view of the kitchen scale of FIG. 1.

FIG. 4 is a right side elevational view of the kitchen scale of FIG. 1.

FIG. 5 is a left side elevational view of the kitchen scale of FIG. 1.

FIG. 6 is a top plan view of the kitchen scale of FIG. 1; and, FIG. 7 is a bottom plan view of the kitchen scale of FIG. 1.

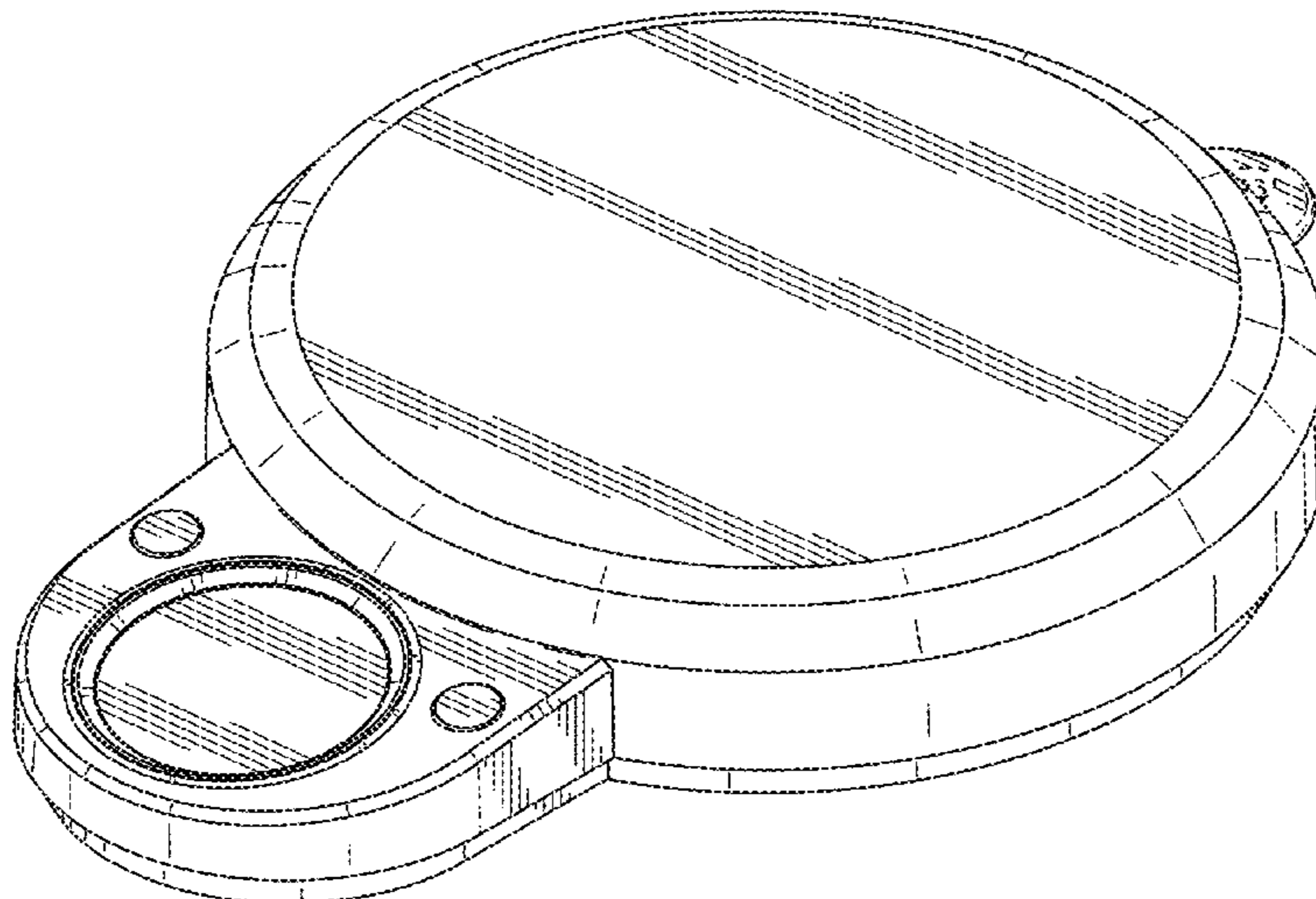
The broken lines appearing in the figures are for the purpose of illustrating the environmental structure of the article of the claimed design and form no part of the claimed design.

(56) **References Cited**

U.S. PATENT DOCUMENTS

D224,443 S *	7/1972	Rams	D10/92
D414,438 S *	9/1999	Fabian	D10/91
D458,552 S *	6/2002	Ekelund	D10/91
D504,631 S *	5/2005	Perlman	D10/91
D547,682 S *	7/2007	Barnes	D10/92
D703,557 S *	4/2014	Wurts	D10/91
D737,706 S *	9/2015	Peluso	D10/92

1 Claim, 7 Drawing Sheets



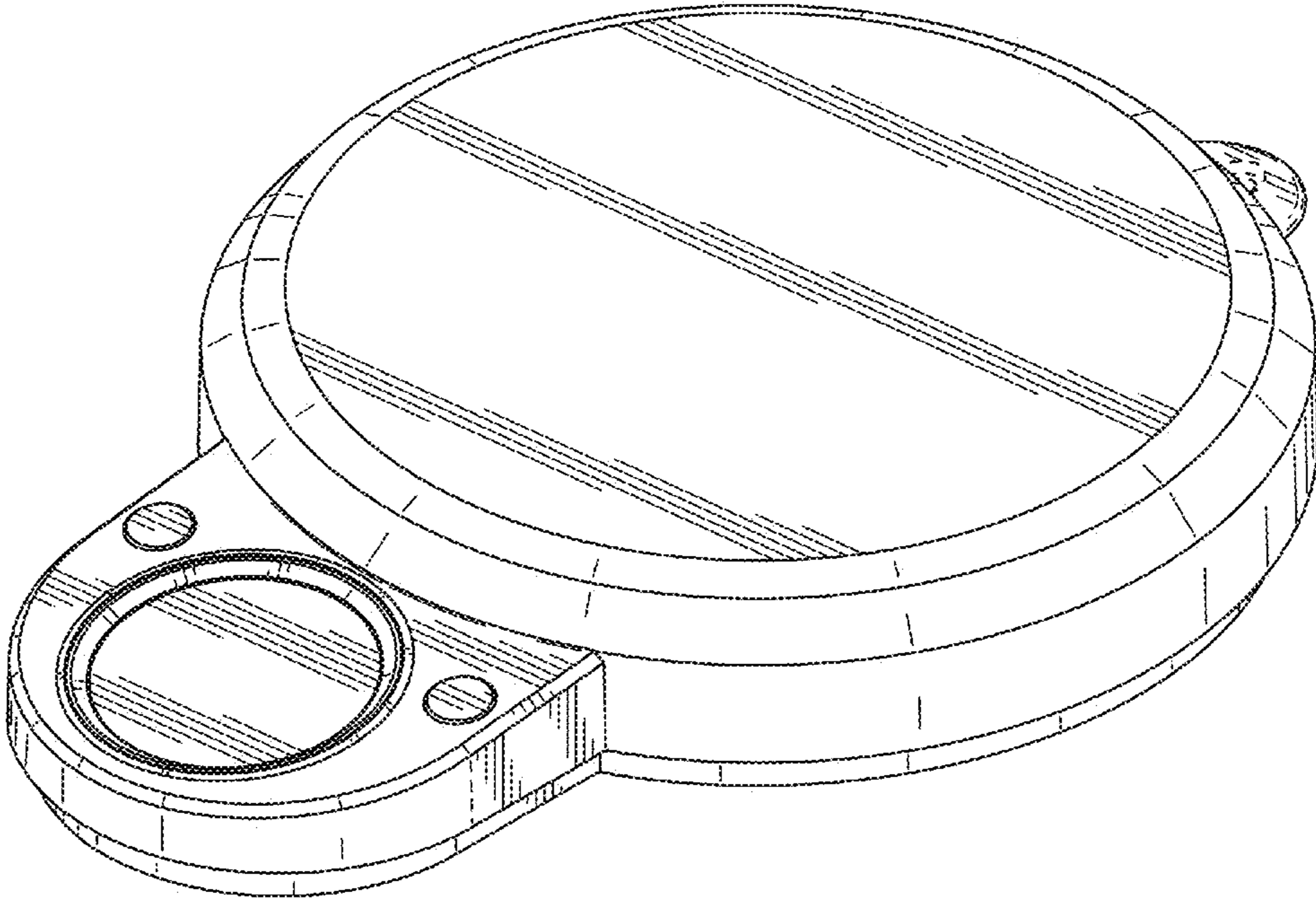


FIG. 1

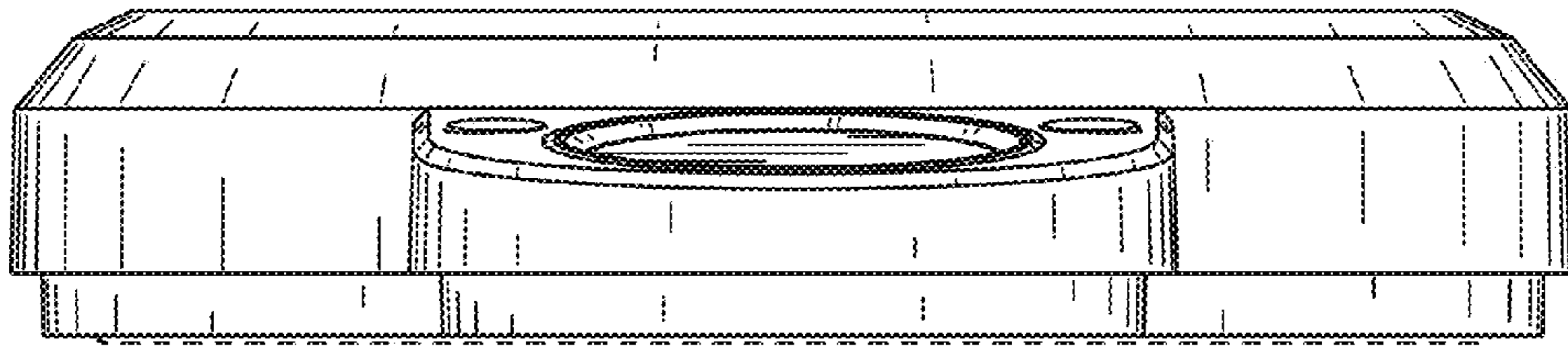


FIG. 2

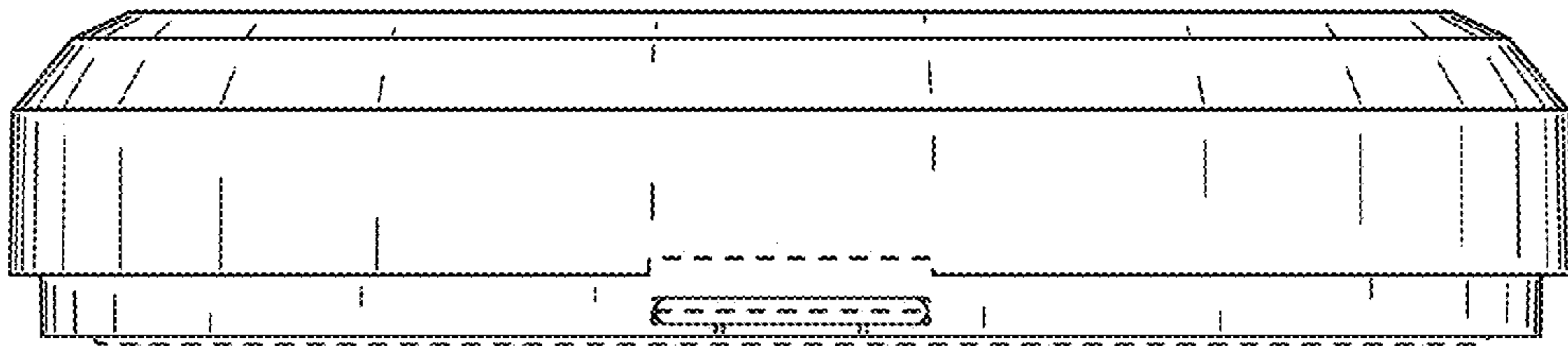


FIG. 3

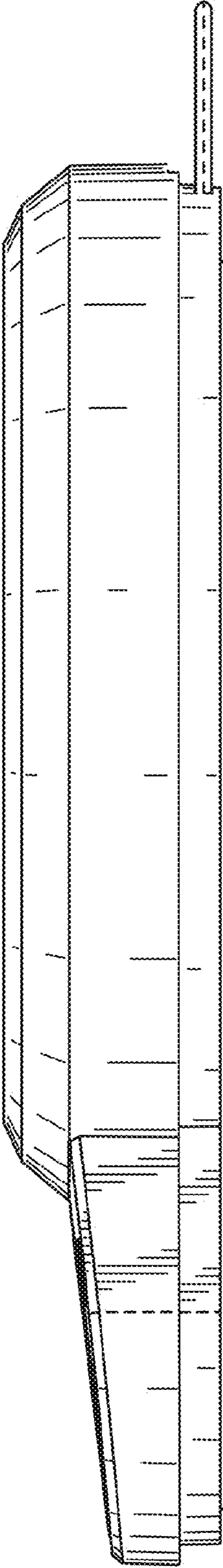


FIG. 4

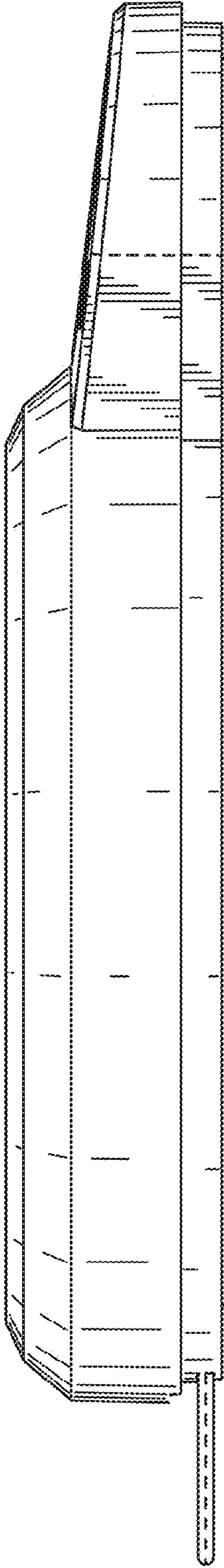


FIG. 5

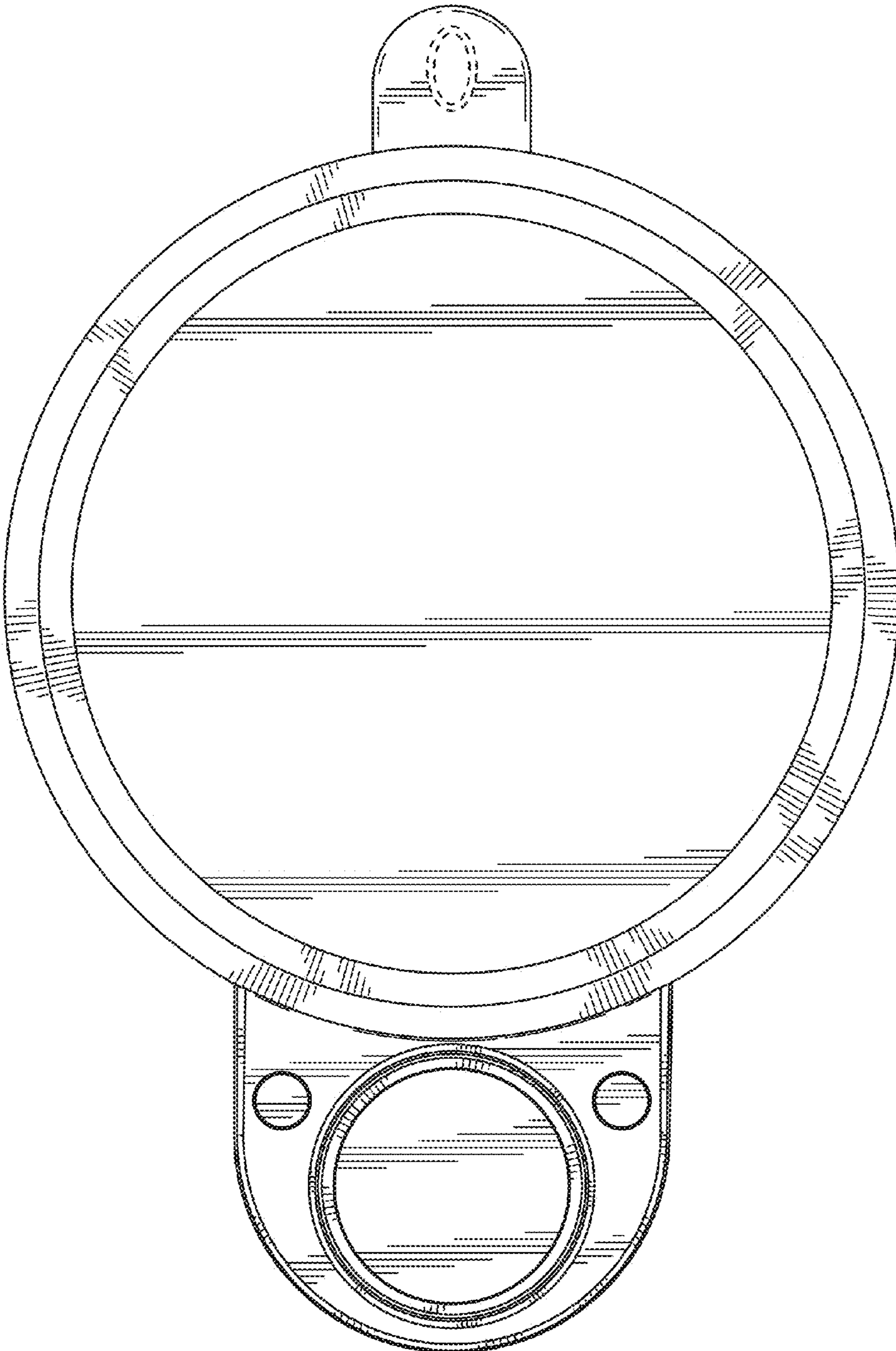


FIG. 6

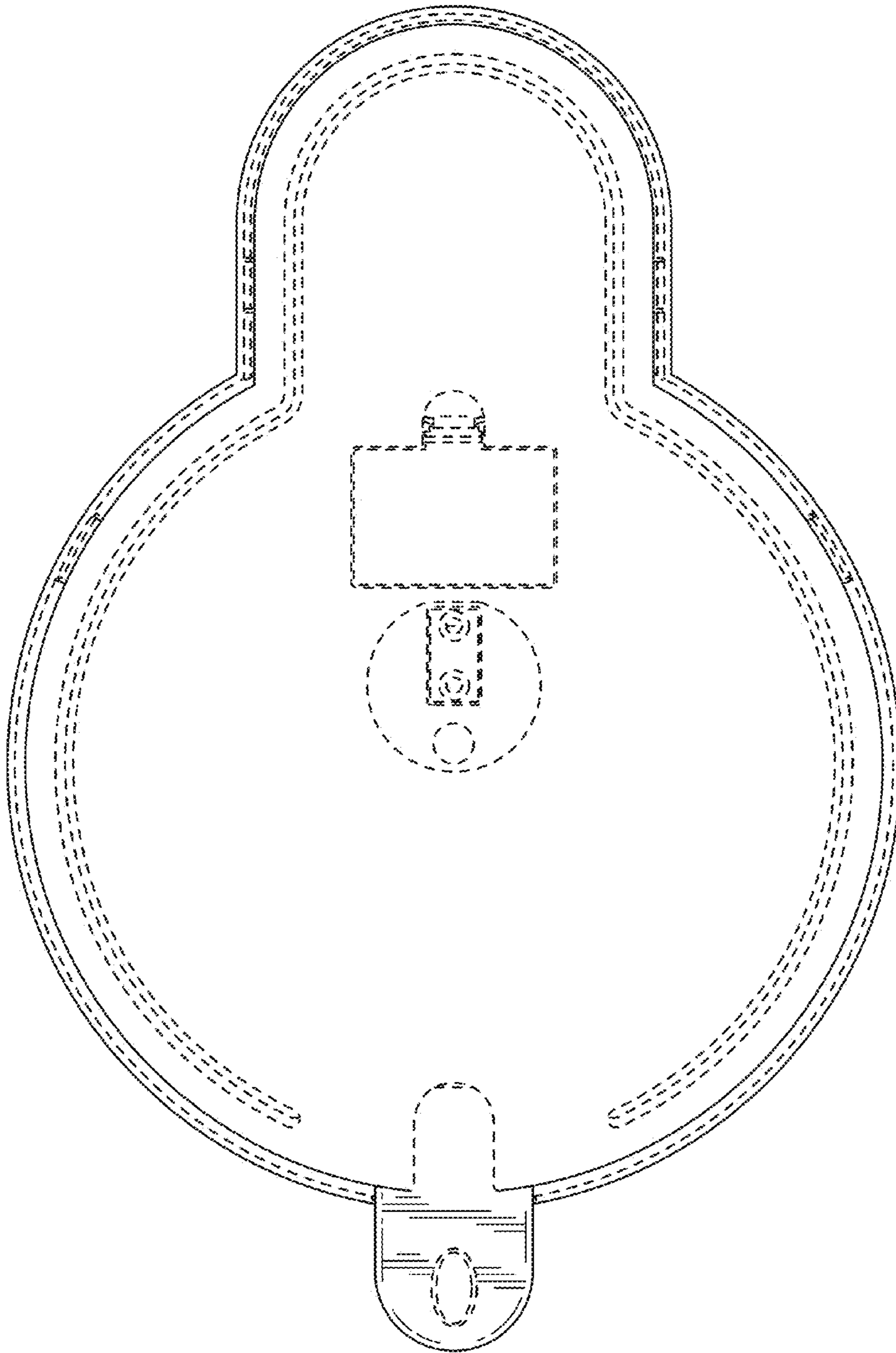


FIG. 7