



US00D758226S

(12) **United States Design Patent**
 Holding et al.

(10) **Patent No.:** **US D758,226 S**
(45) **Date of Patent:** **** Jun. 7, 2016**

- (54) **SWITCH SCALE**
- (71) Applicant: **JOSEPH JOSEPH LTD**, London (GB)
- (72) Inventors: **Bill Holding**, London (GB); **Ben Cox**, London (GB)
- (73) Assignee: **Joseph Joseph Ltd.**, London (GB)
- (**) Term: **14 Years**
- (21) Appl. No.: **29/518,120**
- (22) Filed: **Feb. 20, 2015**
- (30) **Foreign Application Priority Data**

- Sep. 26, 2014 (EM) 002546457-0001
- (51) **LOC (10) Cl.** **10-04**
- (52) **U.S. Cl.**
USPC **D10/91**
- (58) **Field of Classification Search**
USPC D10/91-92
CPC G01G 3/00-3/18; G01G 7/00-7/06;
G01G 5/00-5/06; G01G 1/00-1/42; G01G
9/00-9/005; G01G 11/00-11/20; G01G
13/00-13/34; G01G 15/00-15/047; G01G
17/00-17/08

See application file for complete search history.

(56) **References Cited**

U.S. PATENT DOCUMENTS

D487,706 S * 3/2004 Lau D10/91

* cited by examiner

Primary Examiner — Antoine D Davis

(74) *Attorney, Agent, or Firm* — Millen, White, Zelano & Branigan, P.C.

(57) **CLAIM**

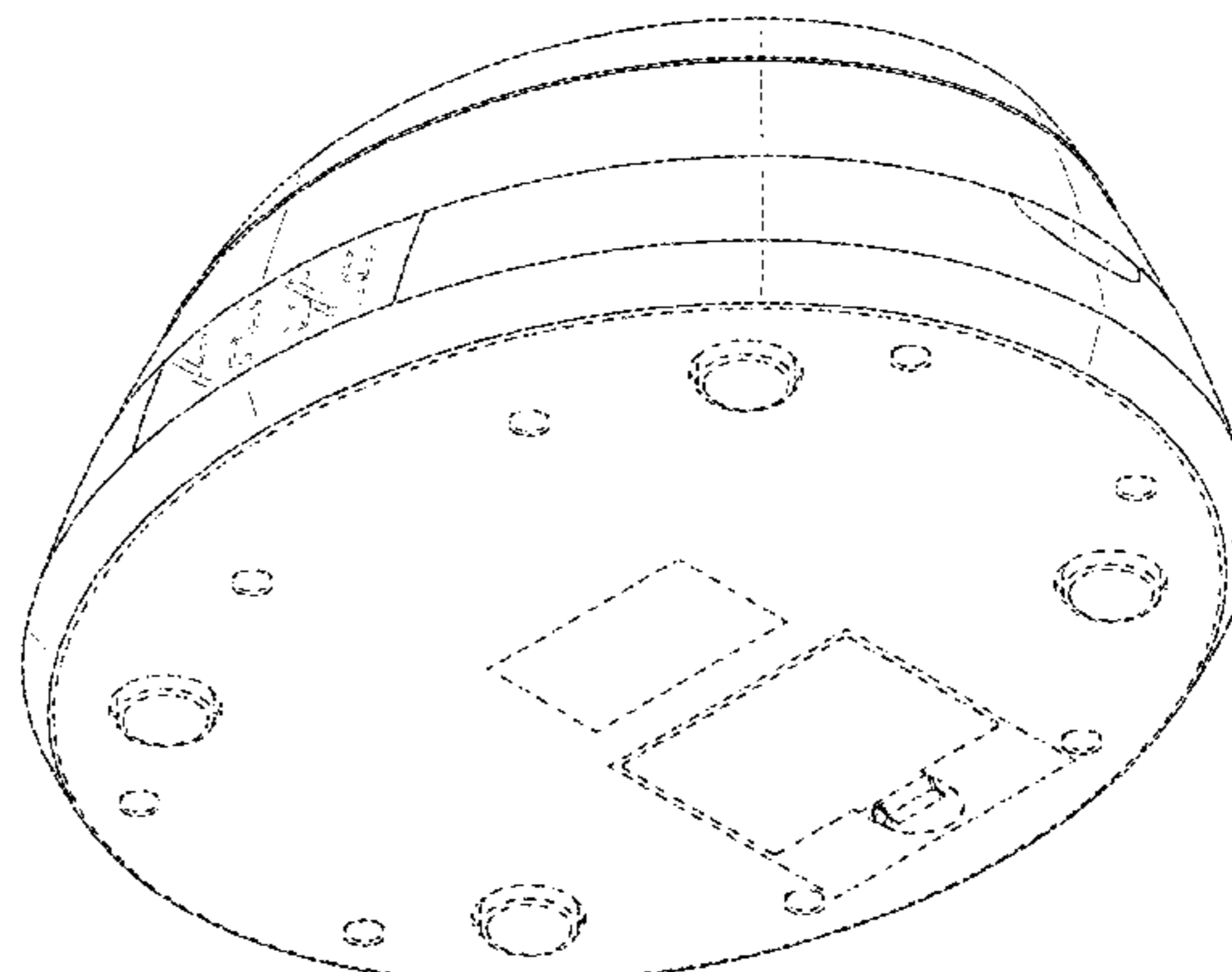
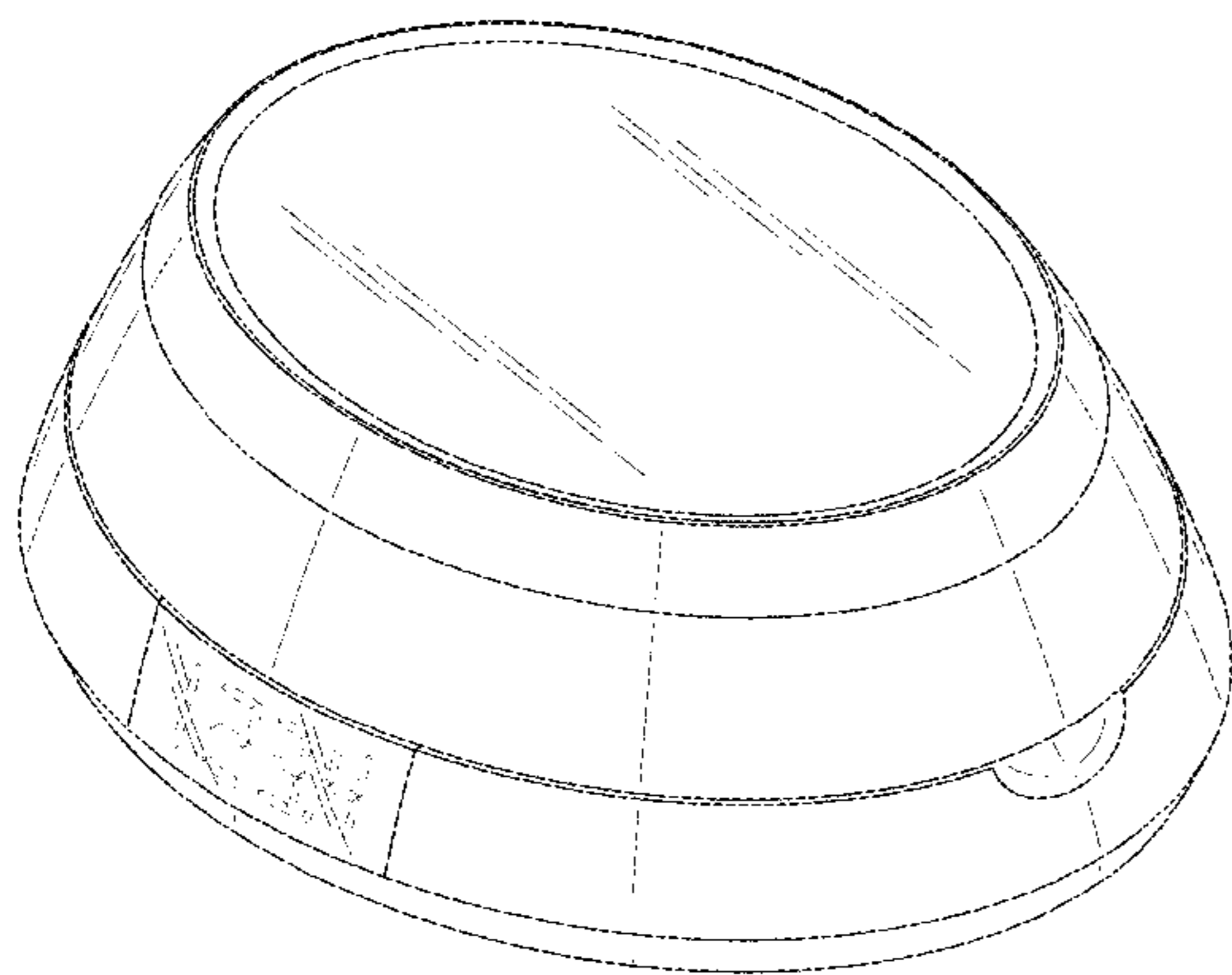
The ornamental design for a switch scale, as shown and described.

DESCRIPTION

FIG. 1 is a side view of the switch scale showing my new design.

FIG. 2 is another side view thereof.
 FIG. 3 is another side view thereof.
 FIG. 4 is another side view thereof.
 FIG. 5 is top view thereof.
 FIG. 6 is a bottom view thereof.
 FIG. 7 is a top perspective view thereof.
 FIG. 8 is a bottom perspective view thereof.
 FIG. 9 is an exploded top view perspective thereof.
 FIG. 10 is a top view perspective thereof with the switch scale in an alternative configuration.
 FIG. 11 is a side view thereof with cross hatch lines depicting areas of contrasting color.
 FIG. 12 is another side view thereof with cross hatch lines depicting areas of contrasting color.
 FIG. 13 is another side view thereof with cross hatch lines depicting areas of contrasting color.
 FIG. 14 is another side view thereof with cross hatch lines depicting areas of contrasting color.
 FIG. 15 is a top view thereof with cross hatch lines depicting areas of contrasting color.
 FIG. 16 is a bottom view thereof with cross hatch lines depicting areas of contrasting color.
 FIG. 17 is a top perspective view thereof with cross hatch lines depicting areas of contrasting color.
 FIG. 18 is a bottom perspective view thereof with cross hatch lines depicting areas of contrasting color.
 FIG. 19 is an exploded top view perspective thereof with cross hatch lines depicting areas of contrasting color; and,
 FIG. 20 is a top view perspective thereof with the switch scale in an alternative configuration with cross hatch lines depicting areas of contrasting color.
 The broken lines showing other parts of the switch scale form no part of the claimed design.
 The cross hatch lines in the figures indicate contrasting color between areas with cross hatch lines and area without cross hatch lines.

1 Claim, 20 Drawing Sheets



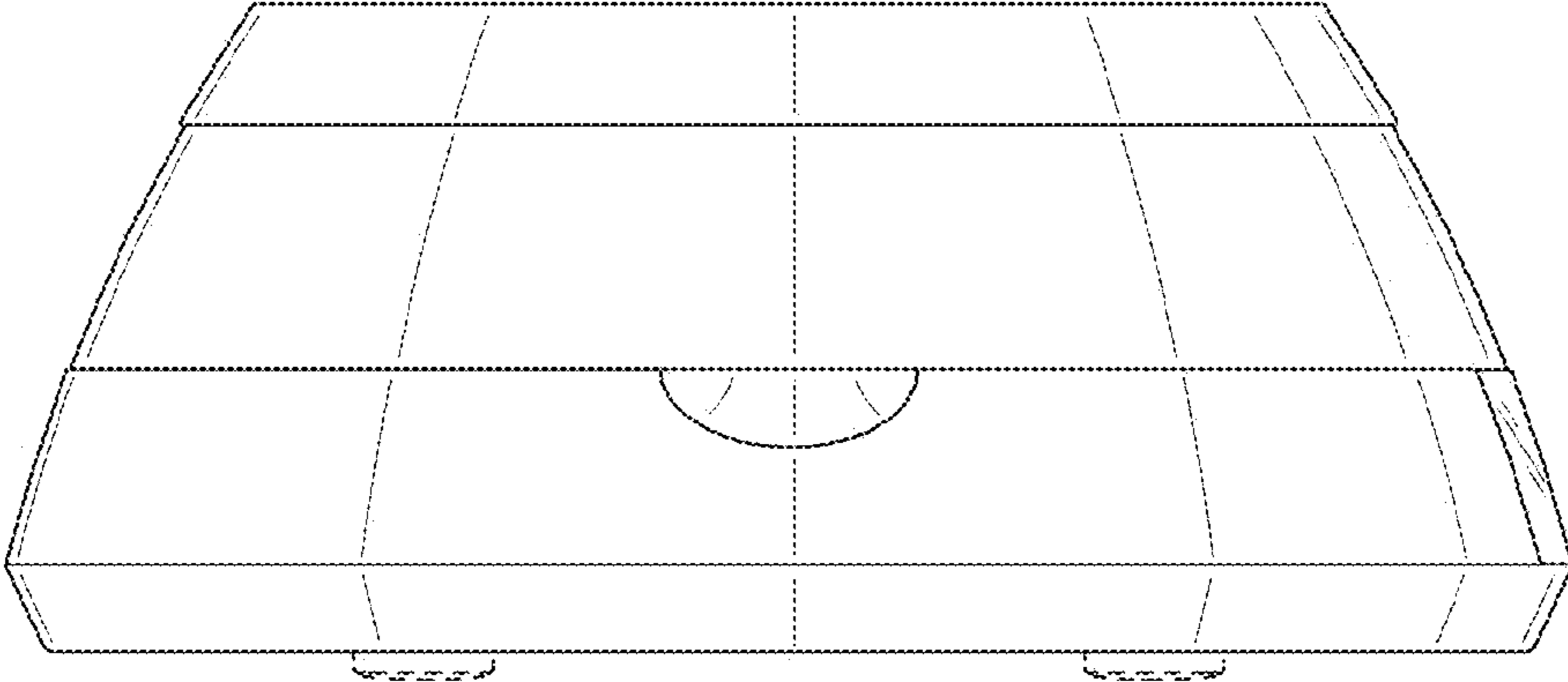


Fig. 1

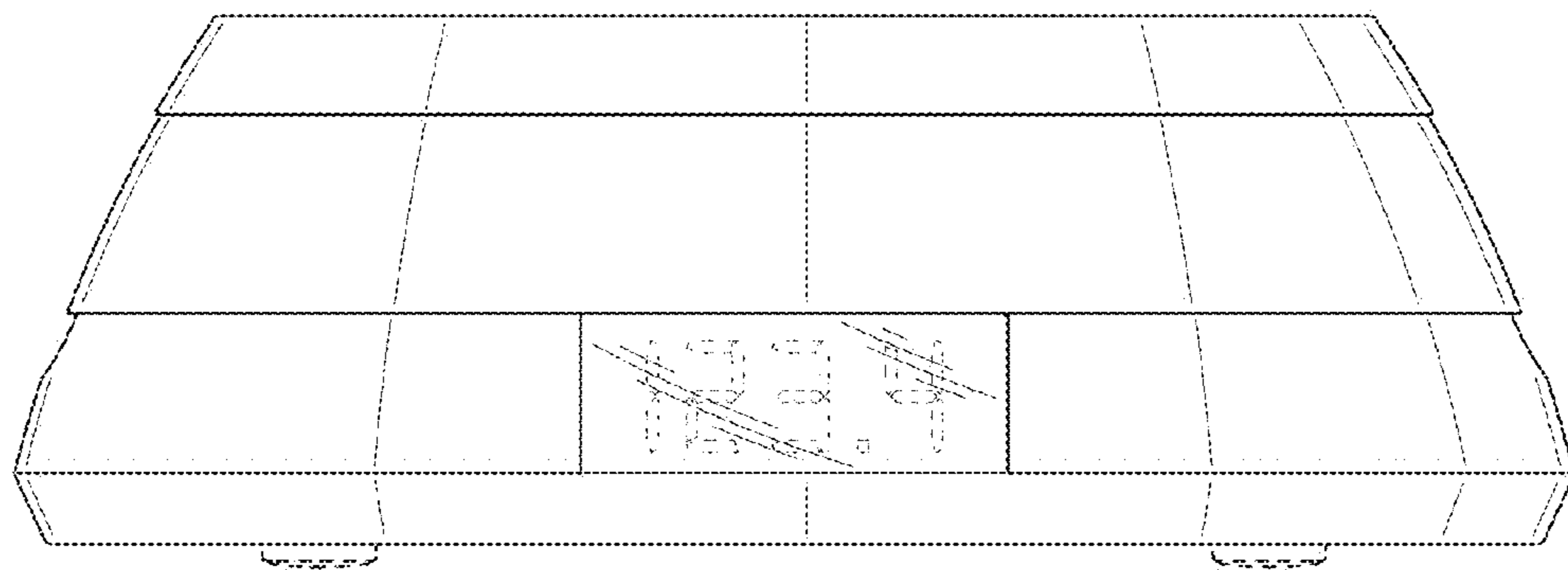


Fig. 2

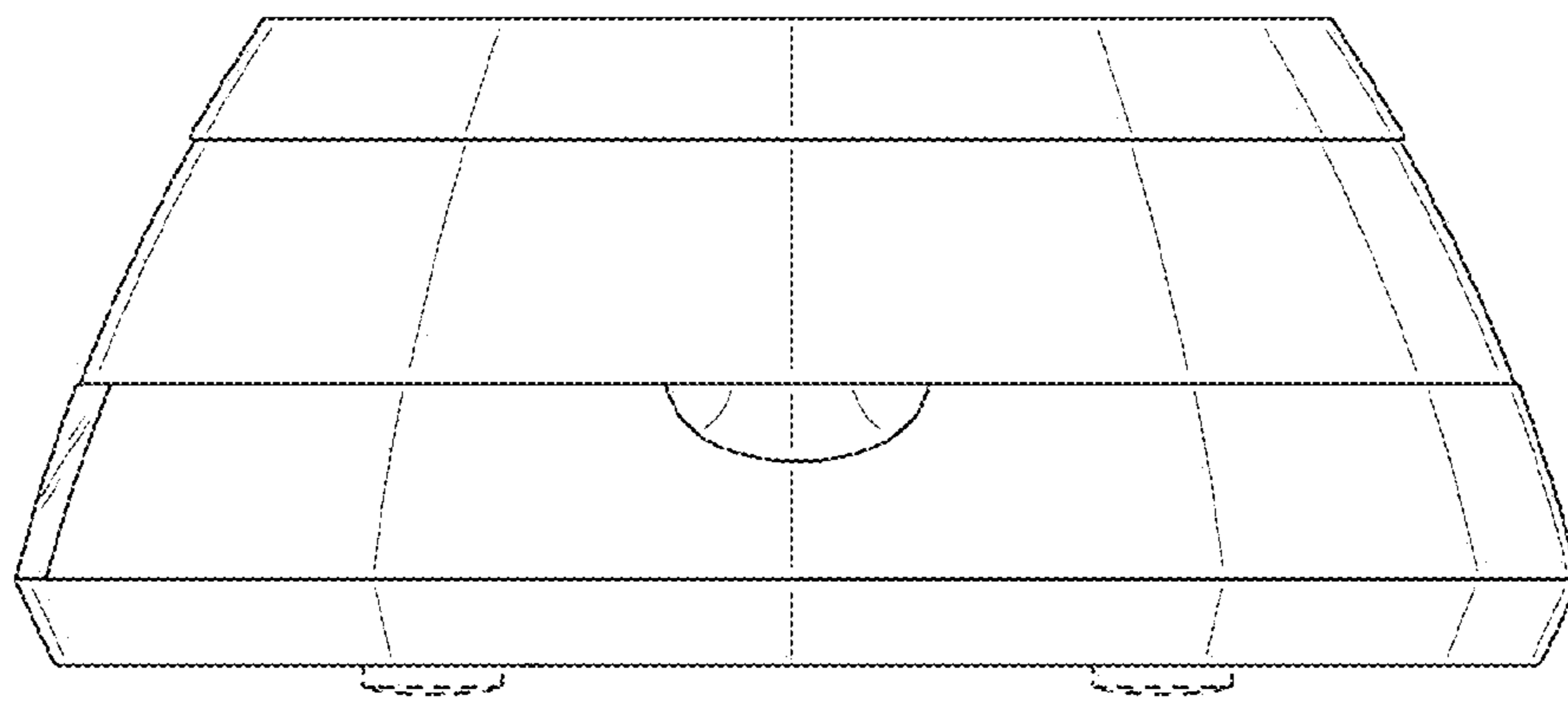


Fig. 3

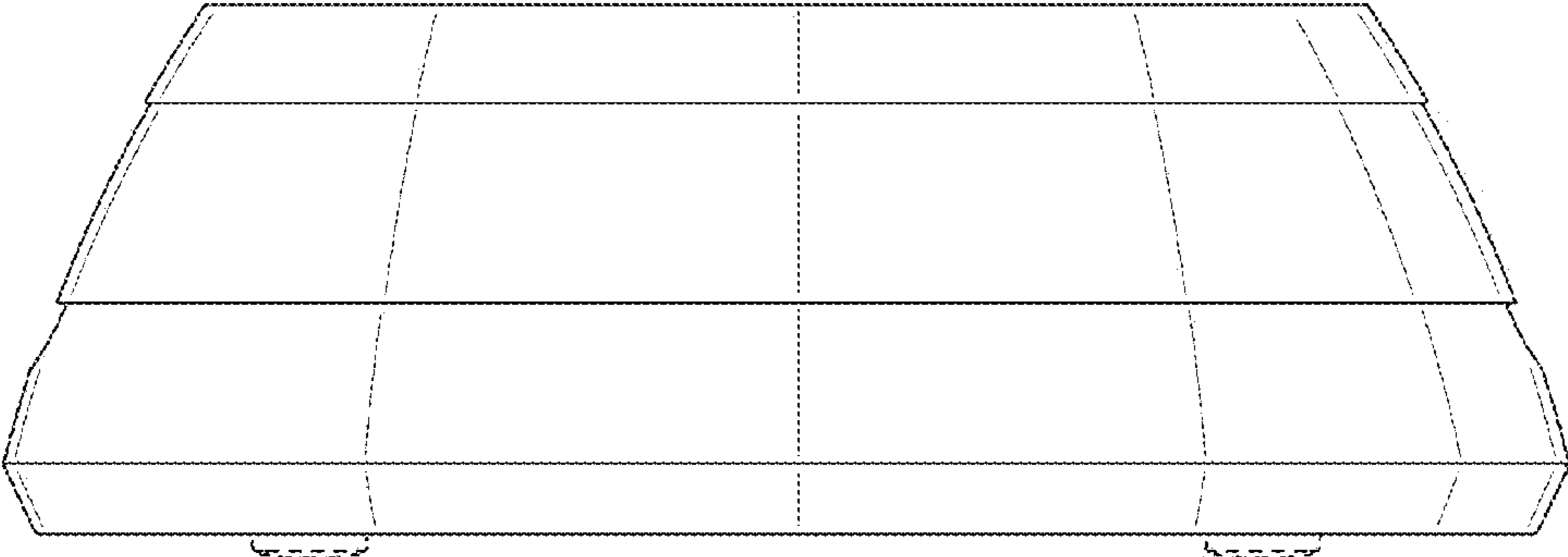


Fig. 4

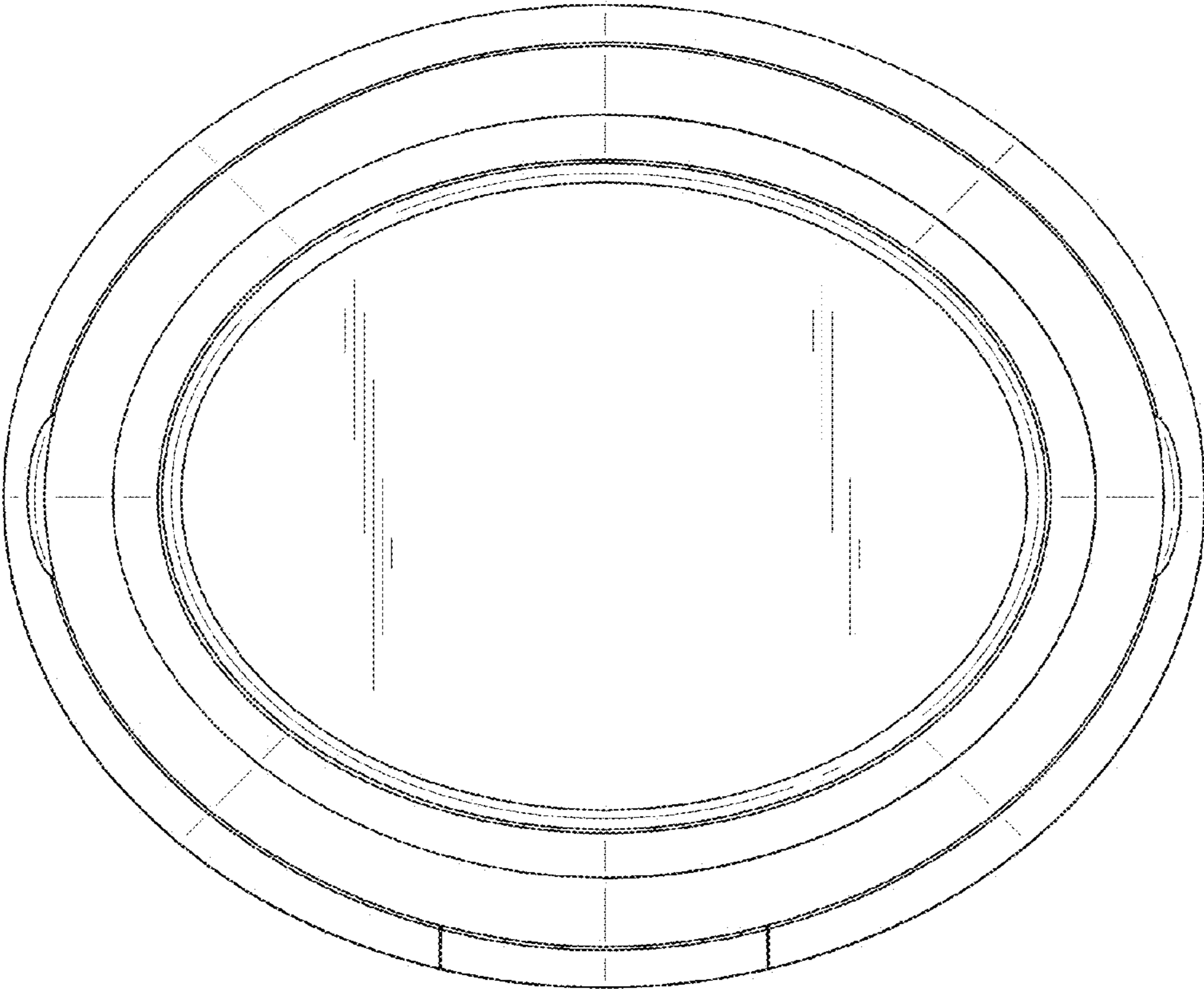


Fig. 5

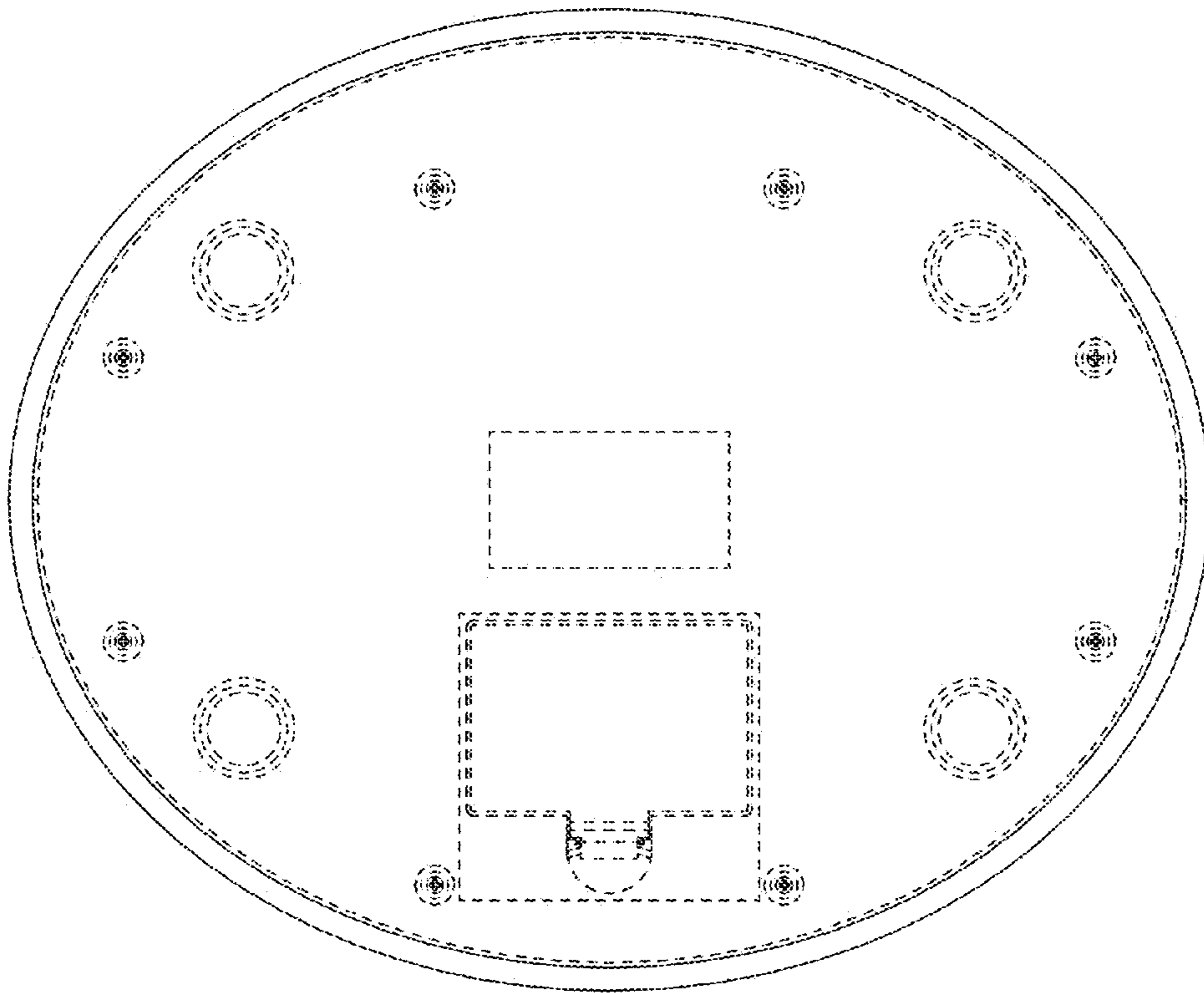


Fig. 6

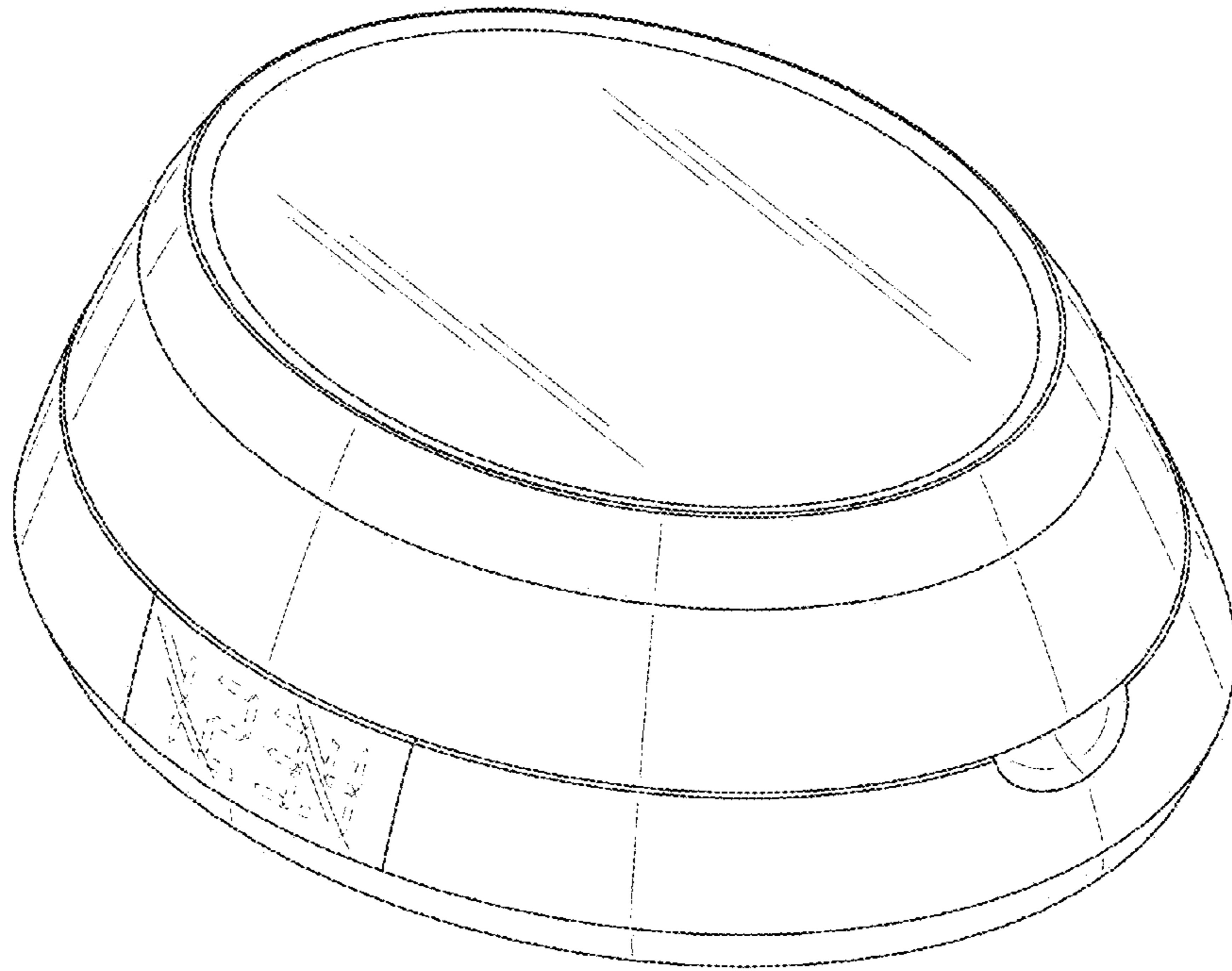


Fig. 7

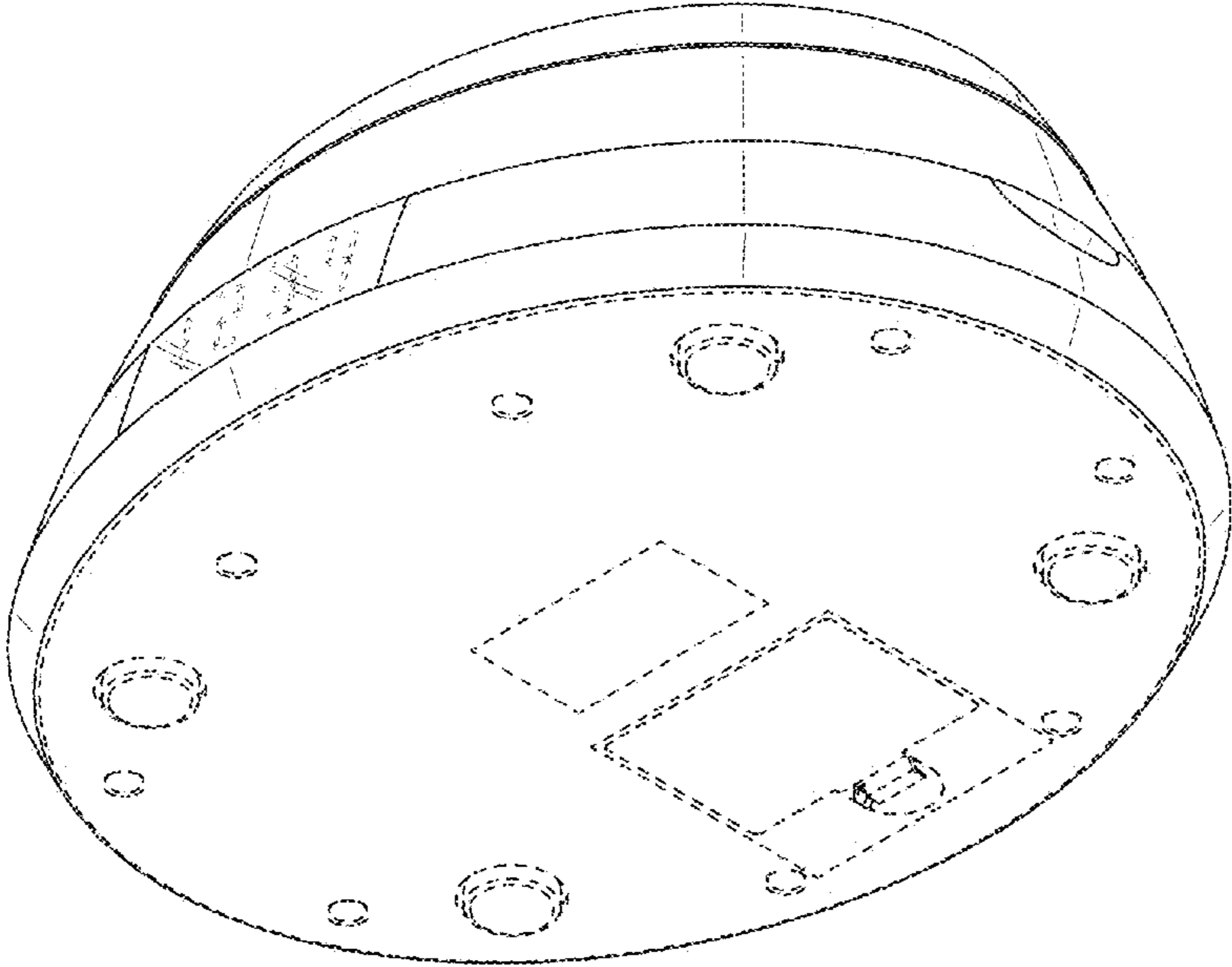


Fig. 8

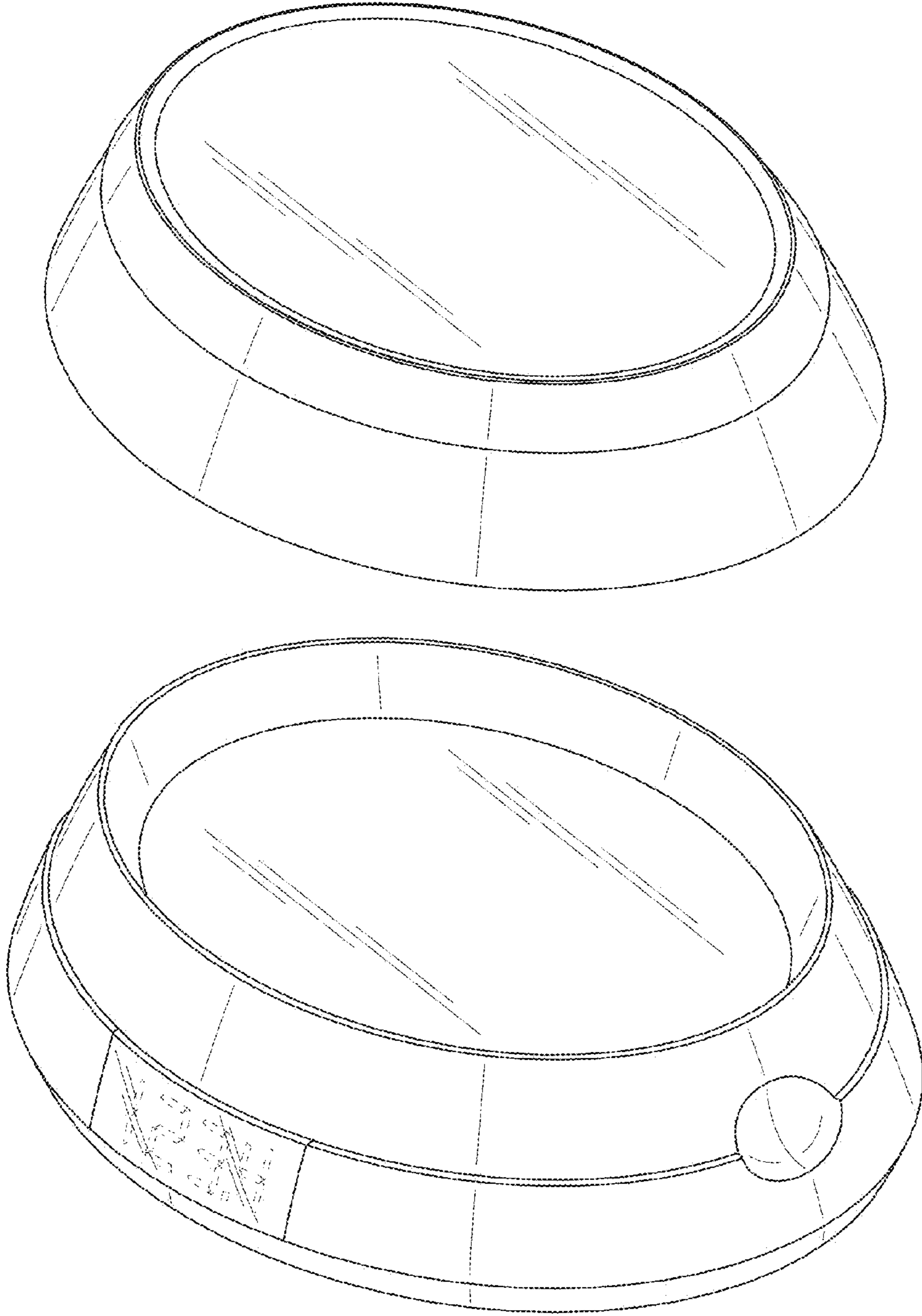


Fig. 9

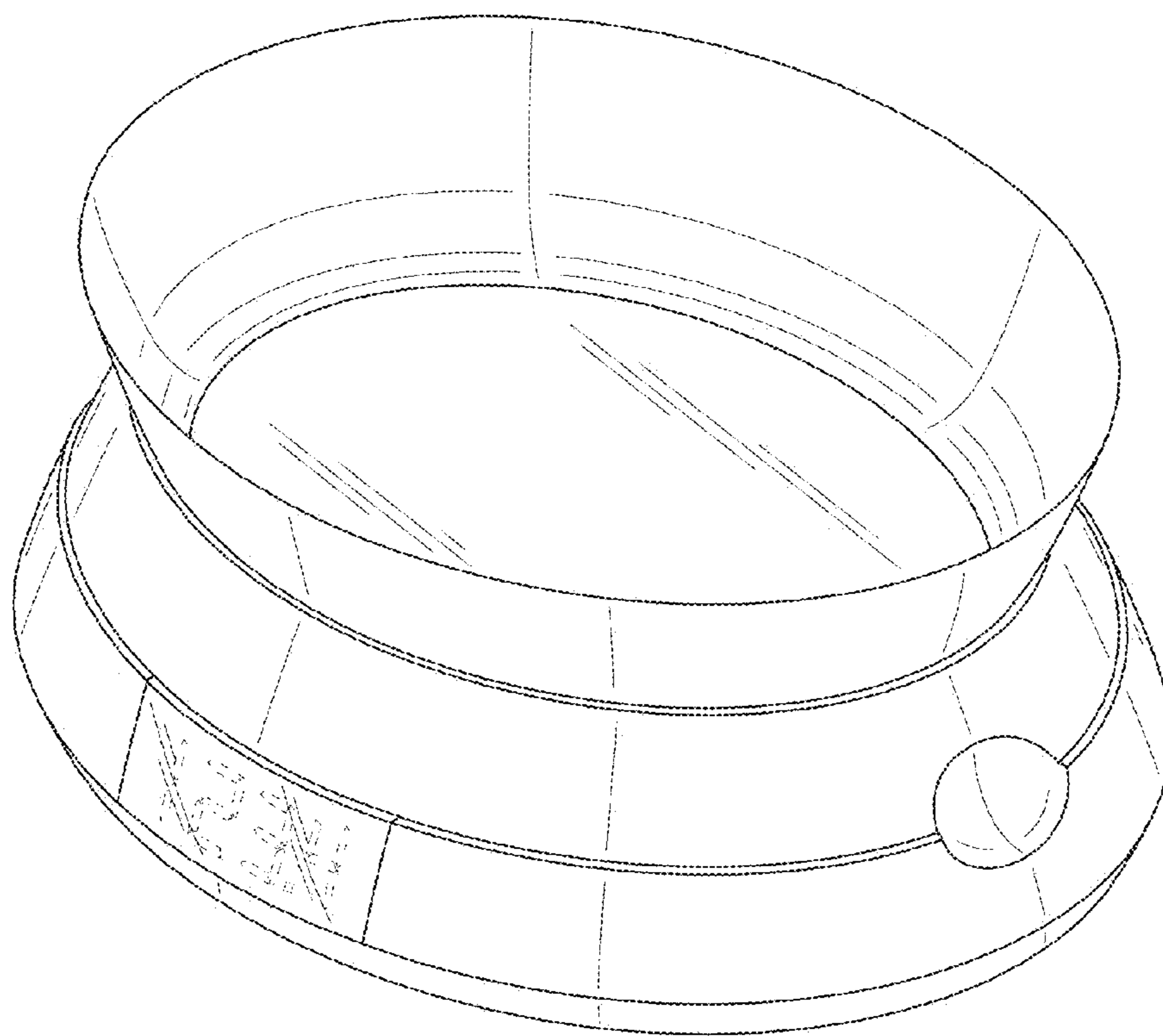


Fig. 10

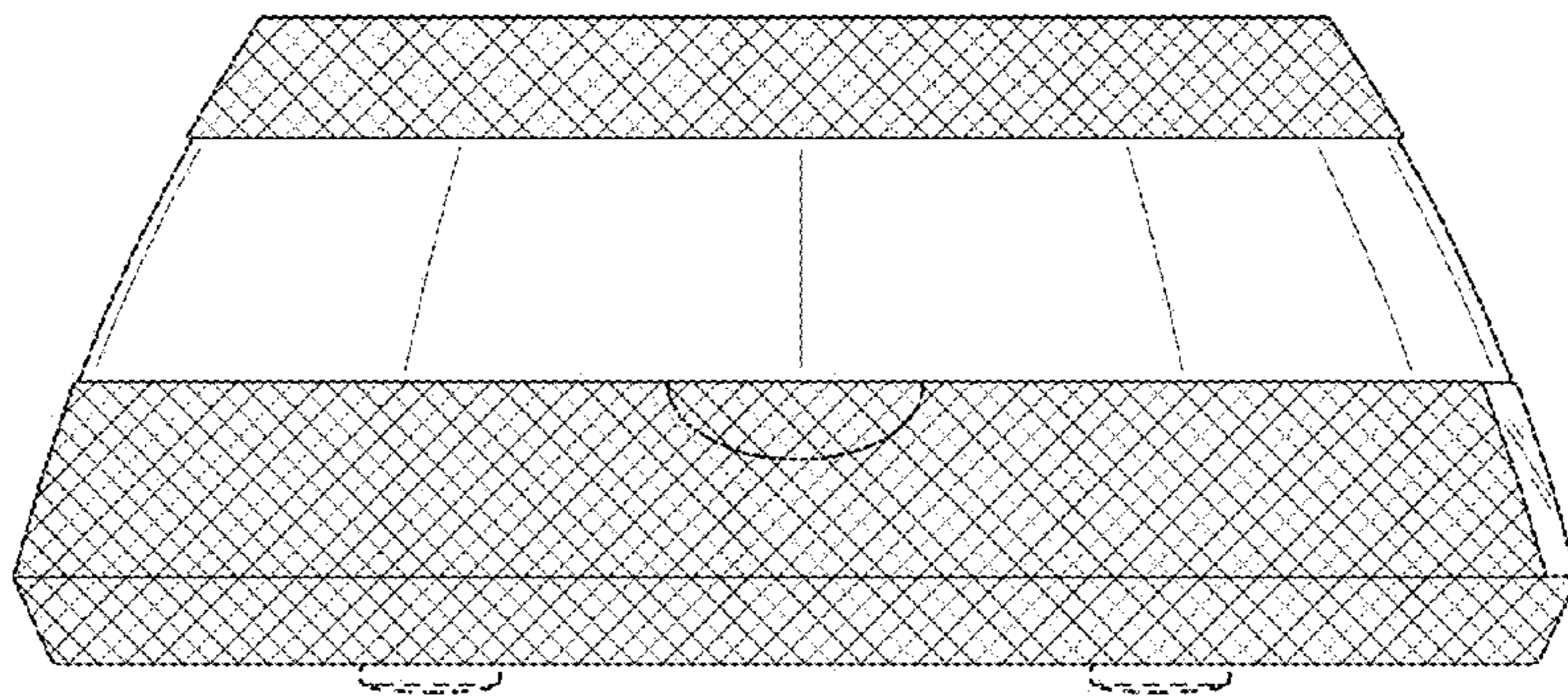


Fig. 11

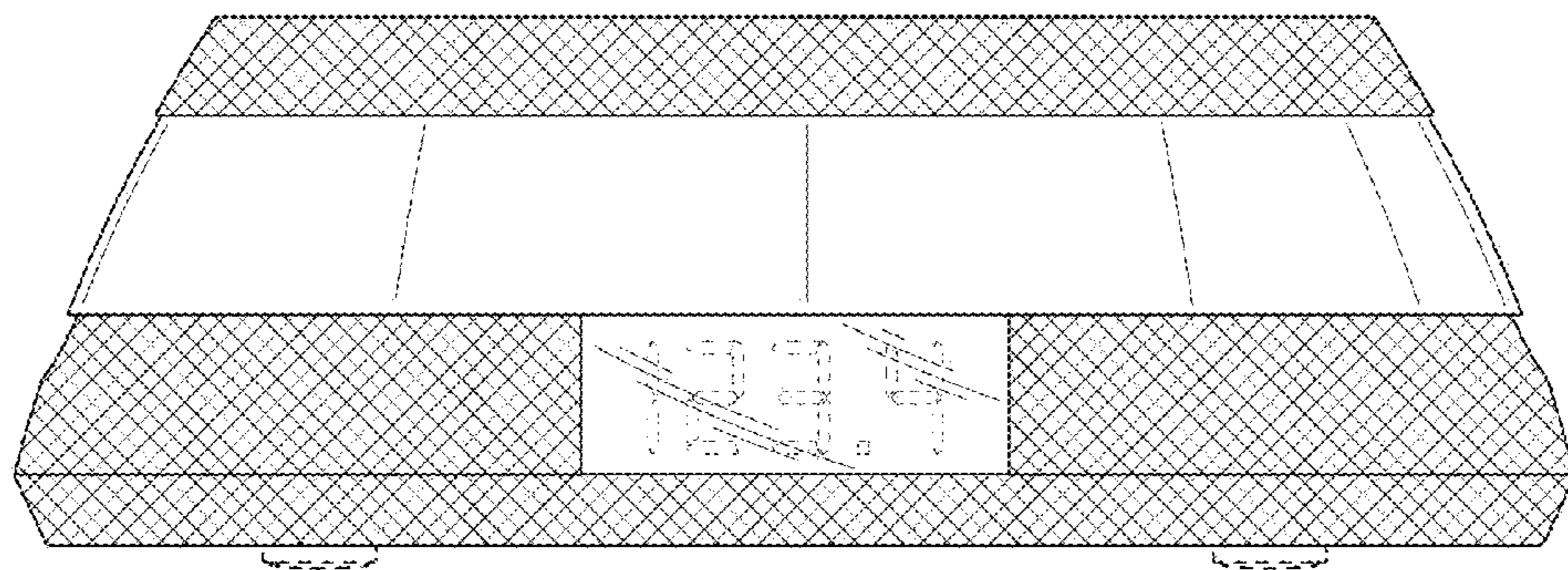


Fig. 12

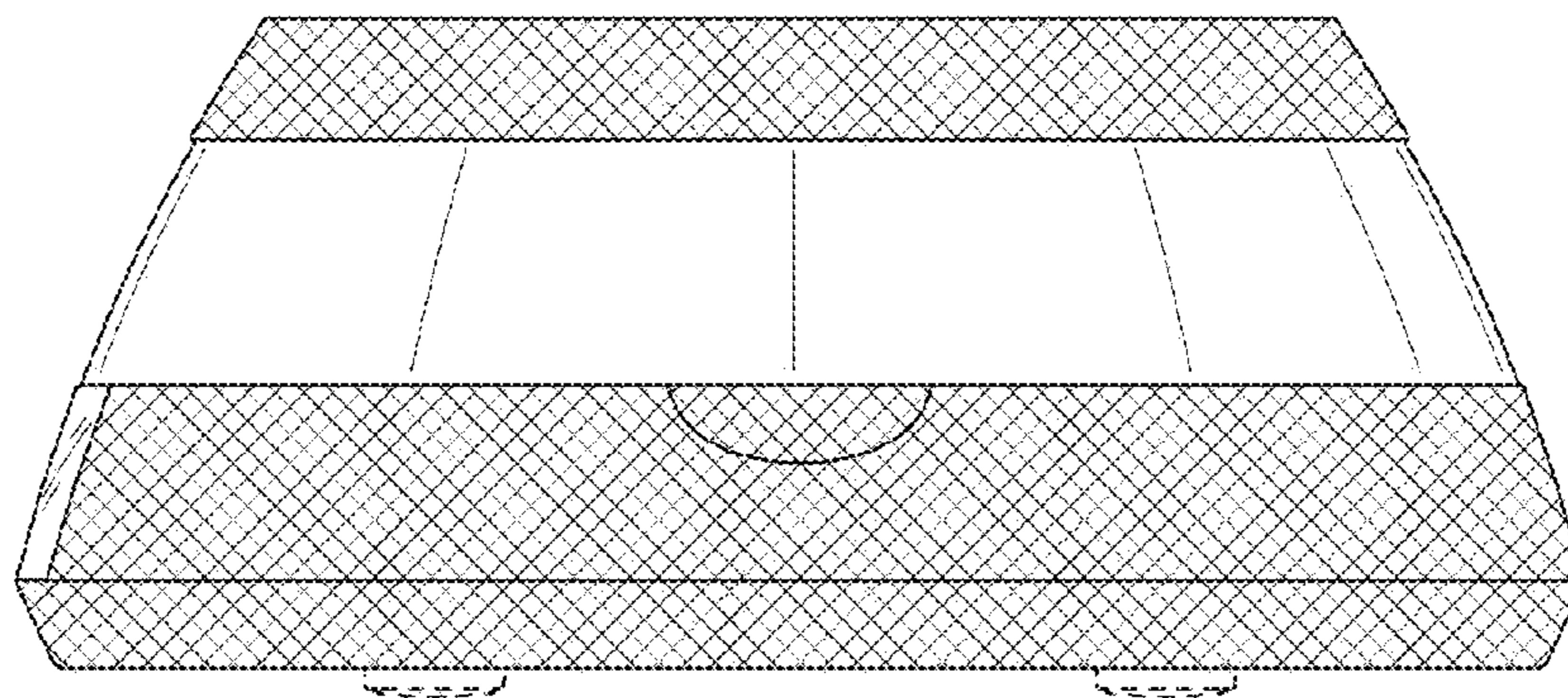


Fig. 13

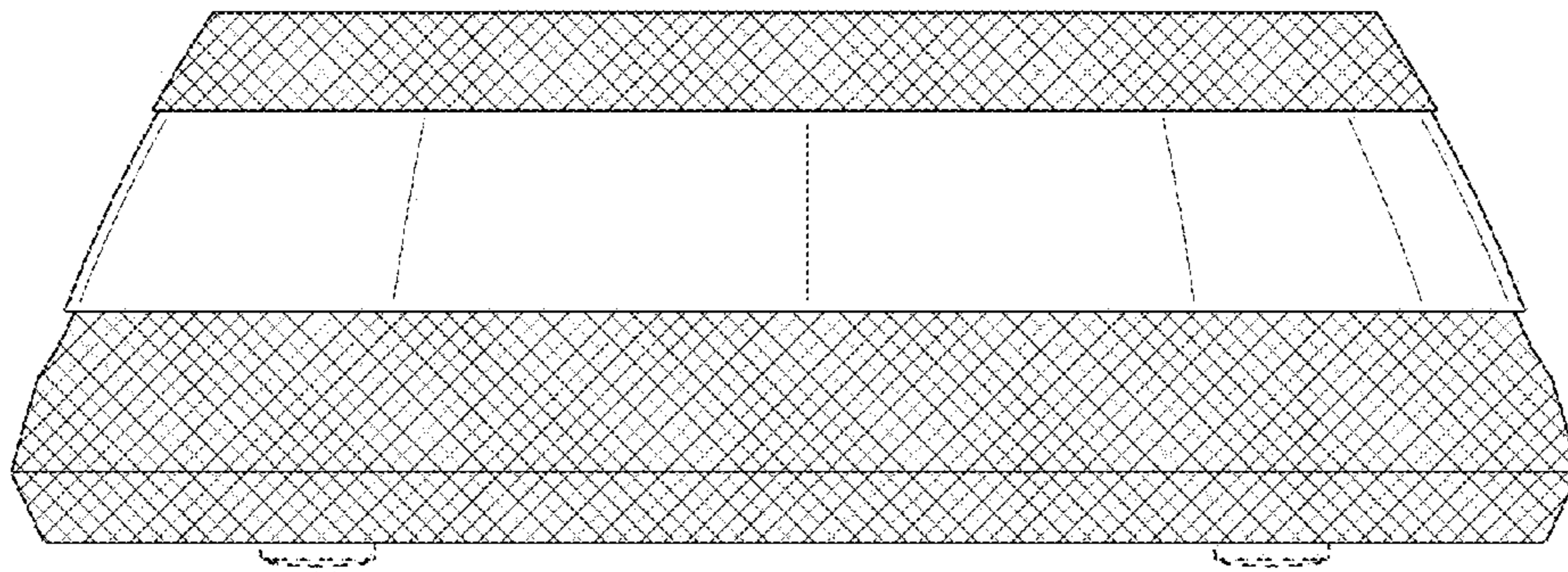


Fig. 14

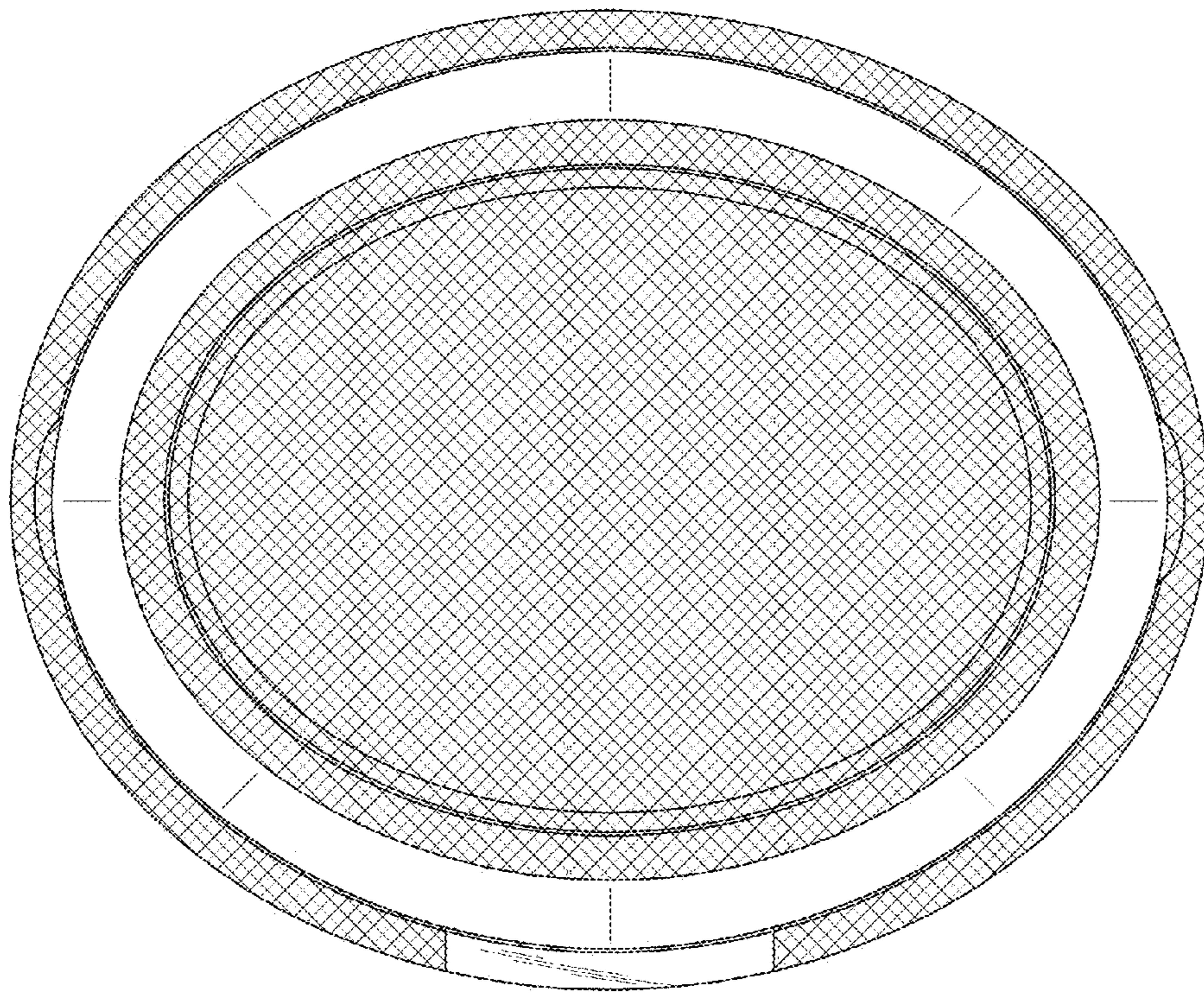


Fig. 15

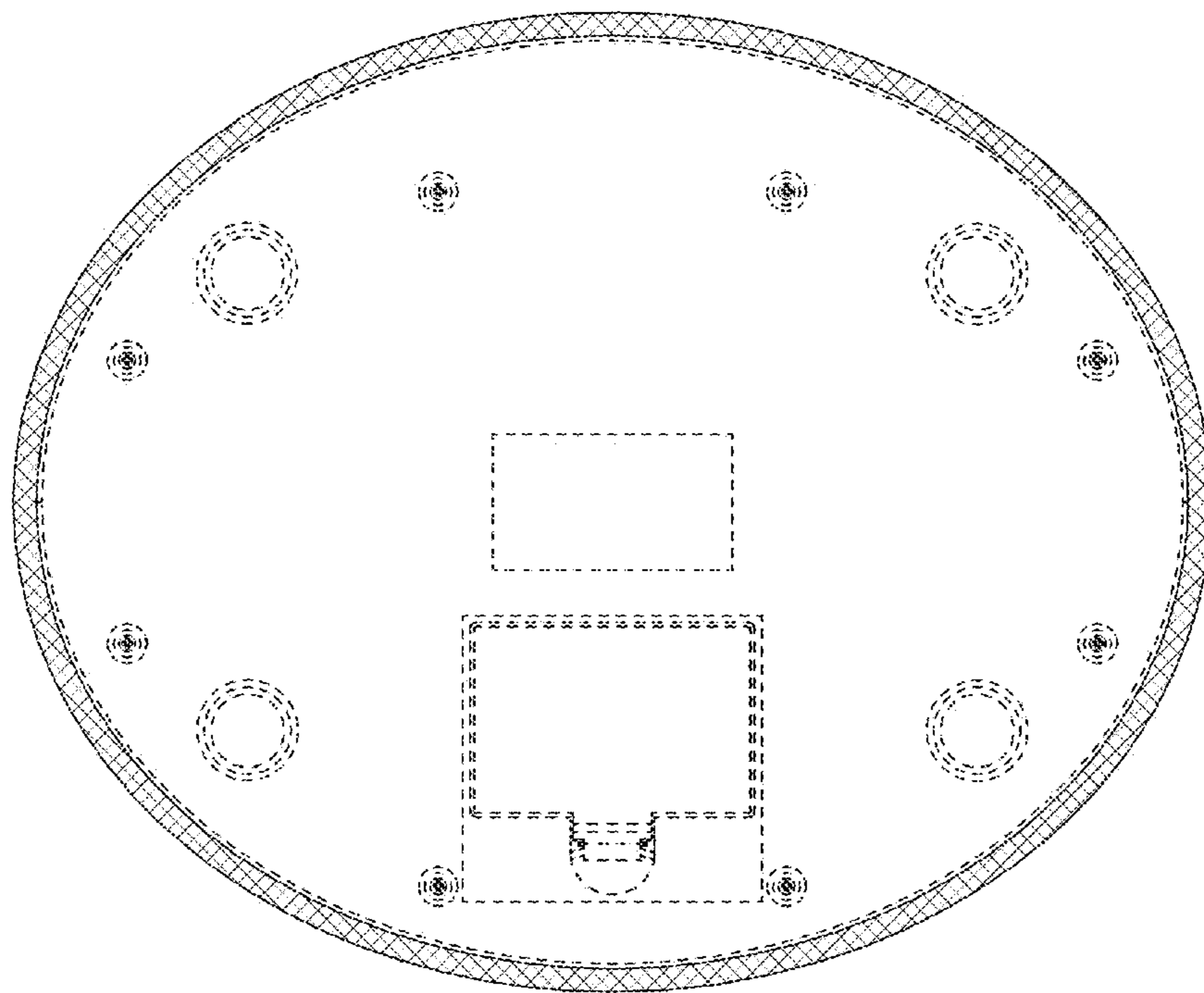


Fig. 16

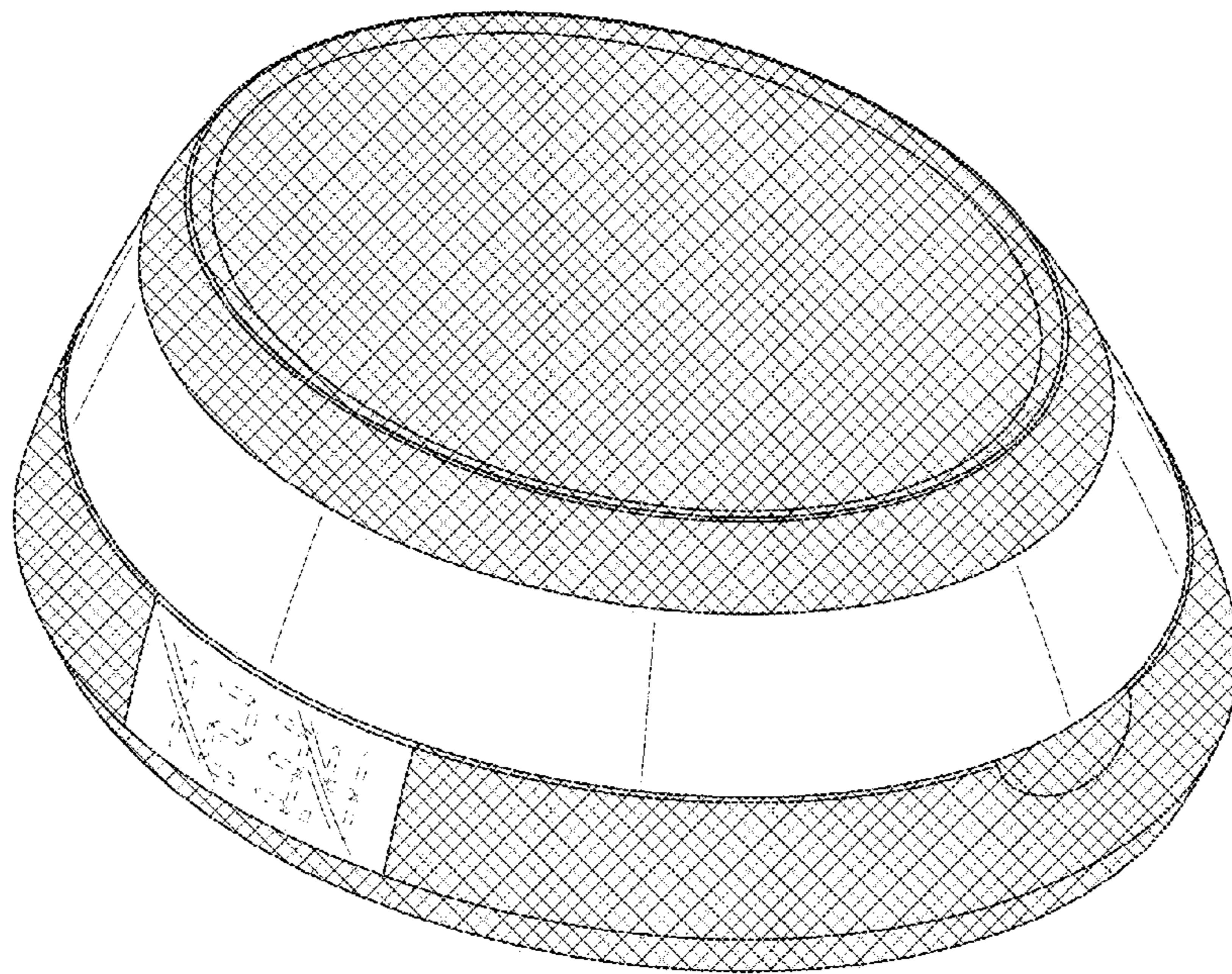


Fig. 17

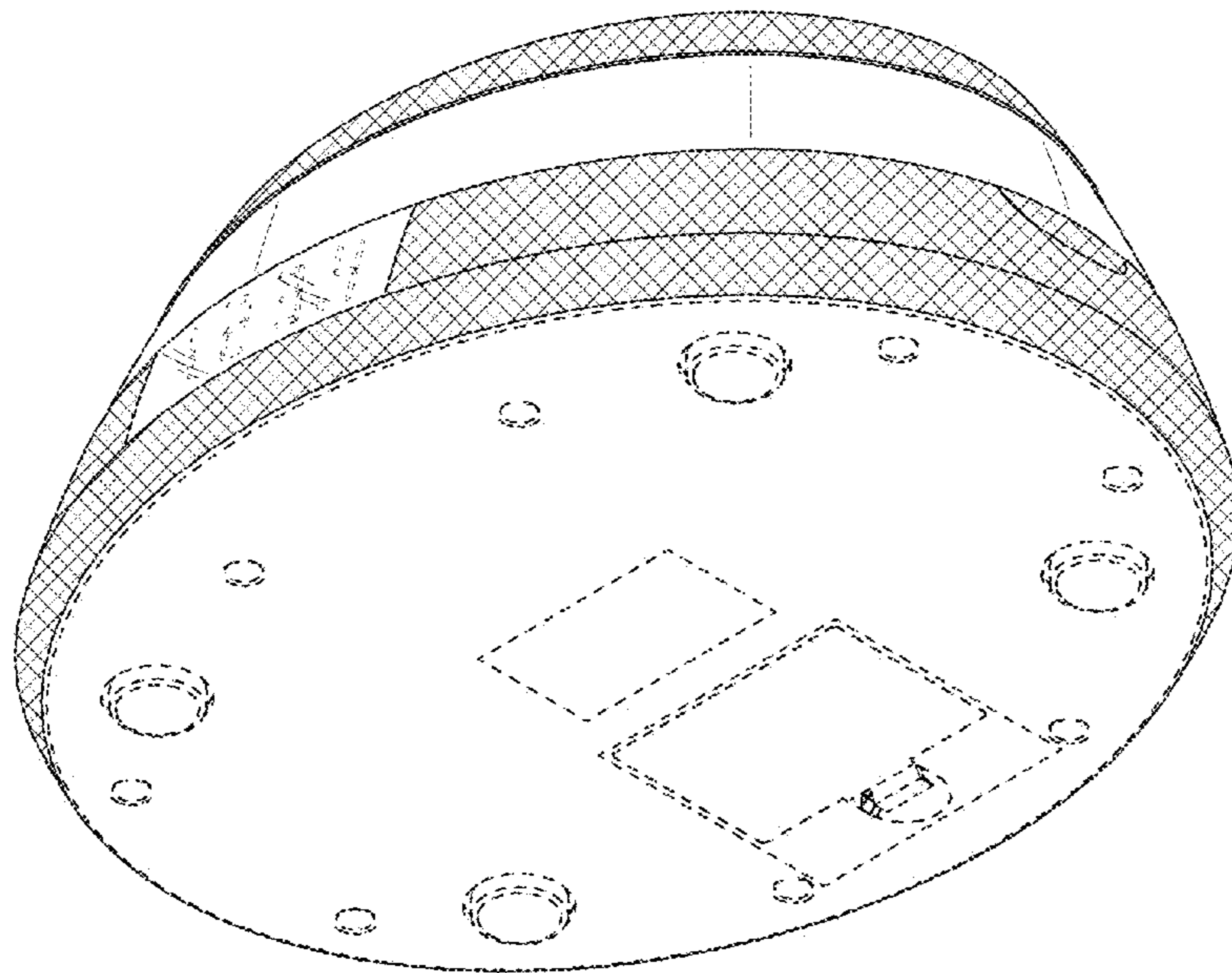


Fig. 18

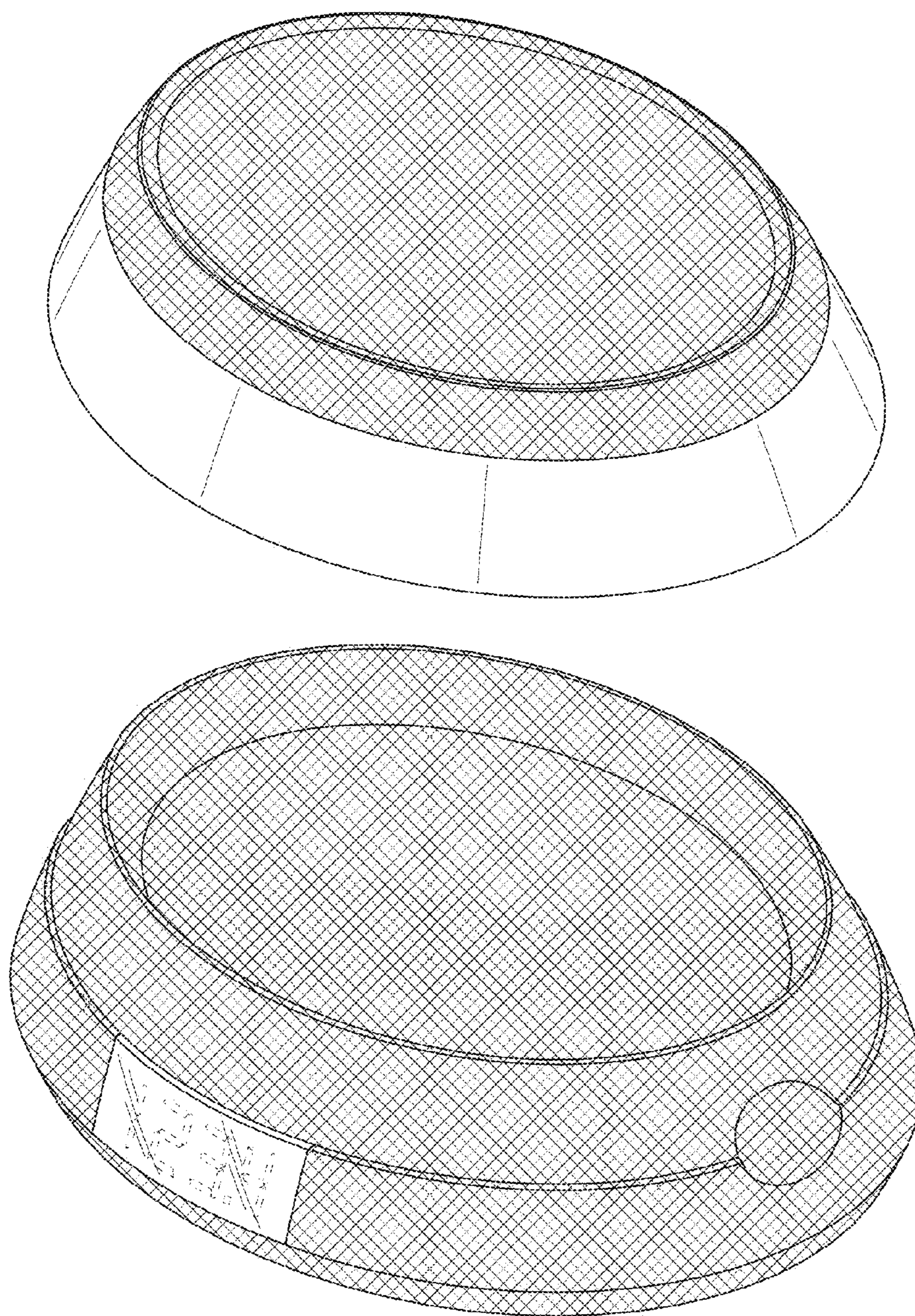


Fig. 19

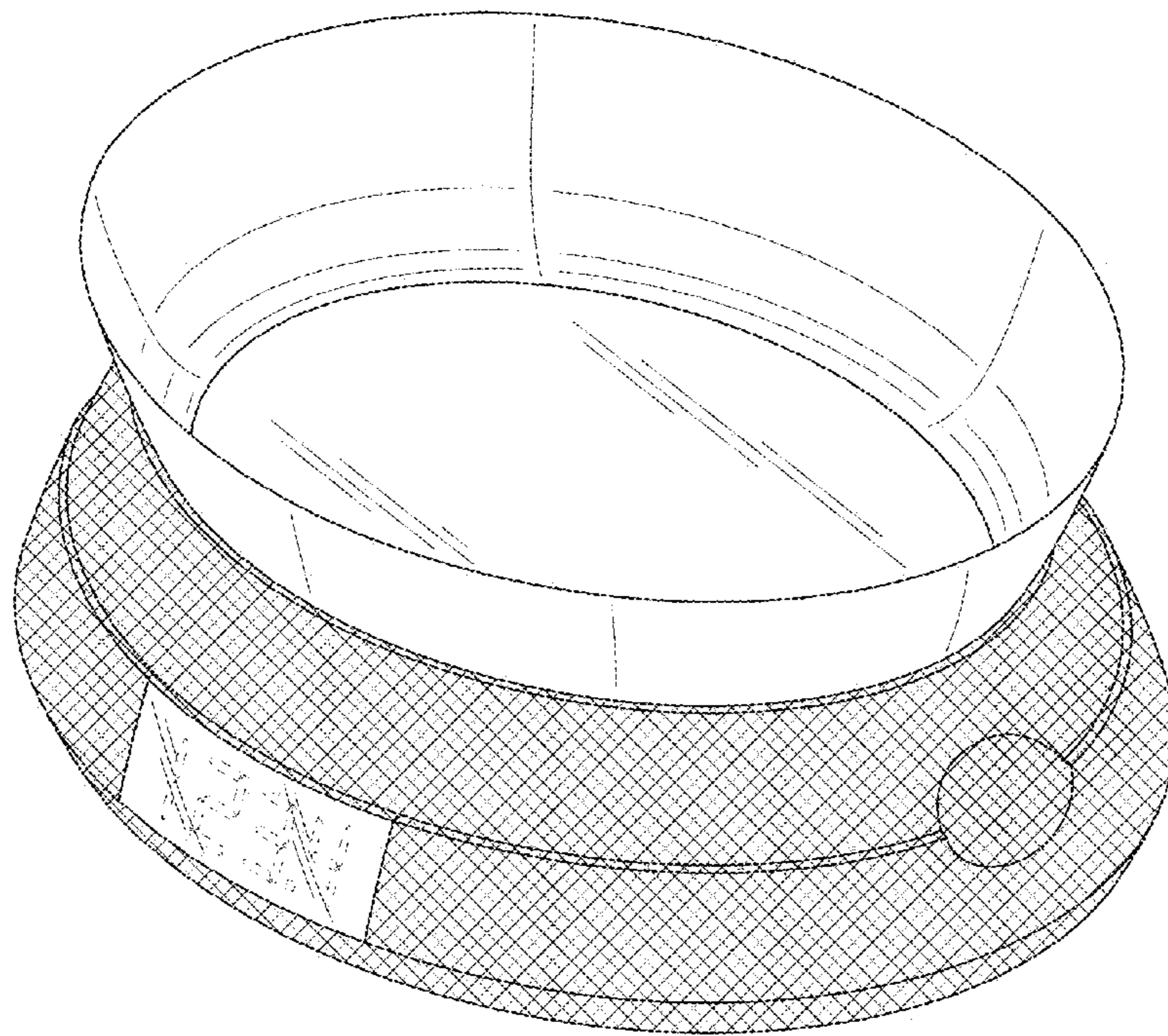


Fig. 20