



US00D758225S

(12) **United States Design Patent**  
**Norman et al.**

(10) **Patent No.:** **US D758,225 S**  
(45) **Date of Patent:** **\*\* \*Jun. 7, 2016**

(54) **SENSOR ASSEMBLY HOUSING FOR A CONSTRUCTION KIT**

(71) Applicant: **Innovation First, Inc.**, Greenville, TX (US)

(72) Inventors: **David Anthony Norman**, Greenville, TX (US); **Robert H. Mimplitch, III**, Rowlett, TX (US); **Raul Olivera**, Greenville, TX (US); **Douglas Michael Galletti**, Allen, TX (US); **Gregory James Lavender**, Rockwell, TX (US); **Jeffrey Russel Waegelin**, Rockwell, TX (US); **James Anthony Trzaskos**, Greenville, TX (US); **Kelvin Gunnar Frank**, Greenville, TX (US); **Jason Alan Weihman**, Greenville, TX (US); **Thomas Charles Glick**, Greenville, TX (US); **Arthur Philip Dutra, IV**, Greenville, TX (US); **John Edward Vielkind-Neun**, Greenville, TX (US); **Paul David Copioli**, Rockwell, TX (US)

(\*) Notice: This patent is subject to a terminal disclaimer.

(\*\*) Term: **14 Years**

(21) Appl. No.: **29/488,273**

(22) Filed: **Apr. 17, 2014**

(51) **LOC (10) Cl.** ..... **10-04**

(52) **U.S. Cl.**  
USPC ..... **D10/85**

(58) **Field of Classification Search**  
USPC ..... **D10/46, 83-85**

CPC ..... A61B 2560/0209; A61B 2562/0219; A61B 5/11; A61B 5/6817; A61B 5/6814; G01P 15/125; G01P 15/06; G01P 1/27; G01P 1/127; G08B 21/02; G08B 5/36; A42B 3/08; A42B 3/046; A42B 3/067; G01L 5/0052  
See application file for complete search history.

(56) **References Cited**

U.S. PATENT DOCUMENTS

D629,320 S \* 12/2010 Sawamura et al. .... D10/83

\* cited by examiner

*Primary Examiner* — Antoine D Davis

(74) *Attorney, Agent, or Firm* — Adam K. Sacharoff; Much Shelist

(57) **CLAIM**

The ornamental design for a sensor assembly housing for a construction kit, as shown and described.

**DESCRIPTION**

FIG. 1 is a front perspective view of a sensor assembly housing for a construction kit in accordance with the invention; FIG. 2 is a left side top perspective view of FIG. 1; FIG. 3 is a right side top perspective view of FIG. 1; FIG. 4 is a top side perspective view of FIG. 1; FIG. 5 is a side bottom perspective view of FIG. 1; FIG. 6 is another bottom side perspective view of FIG. 1; FIG. 7 is a front side view of FIG. 1; FIG. 8 is a rear side view of FIG. 1; FIG. 9 is a left side view of FIG. 1; FIG. 10 is a right side view of FIG. 1; FIG. 11 is a top side perspective view of FIG. 1; and, FIG. 12 is a bottom side view of FIG. 1.

**1 Claim, 12 Drawing Sheets**

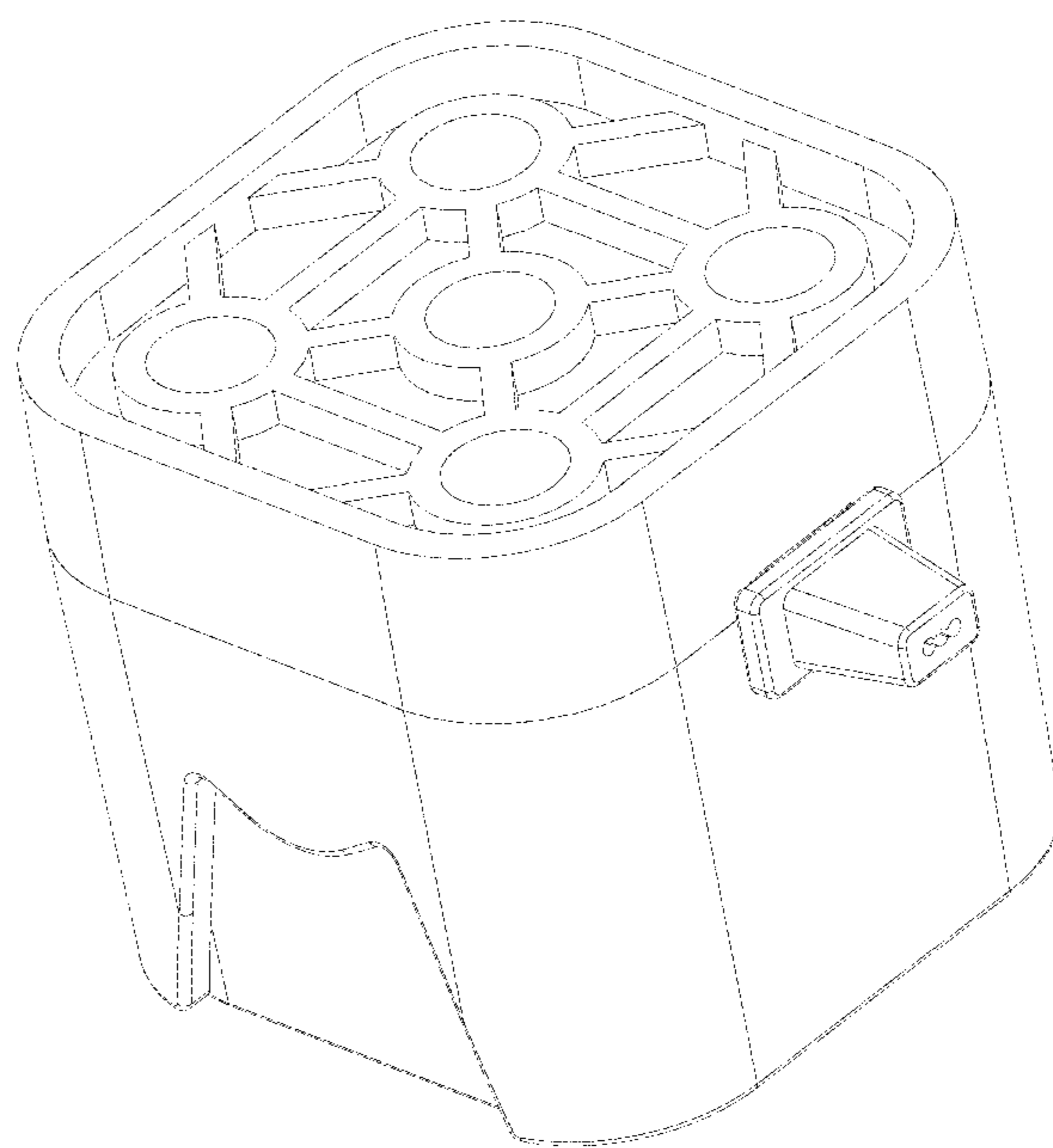
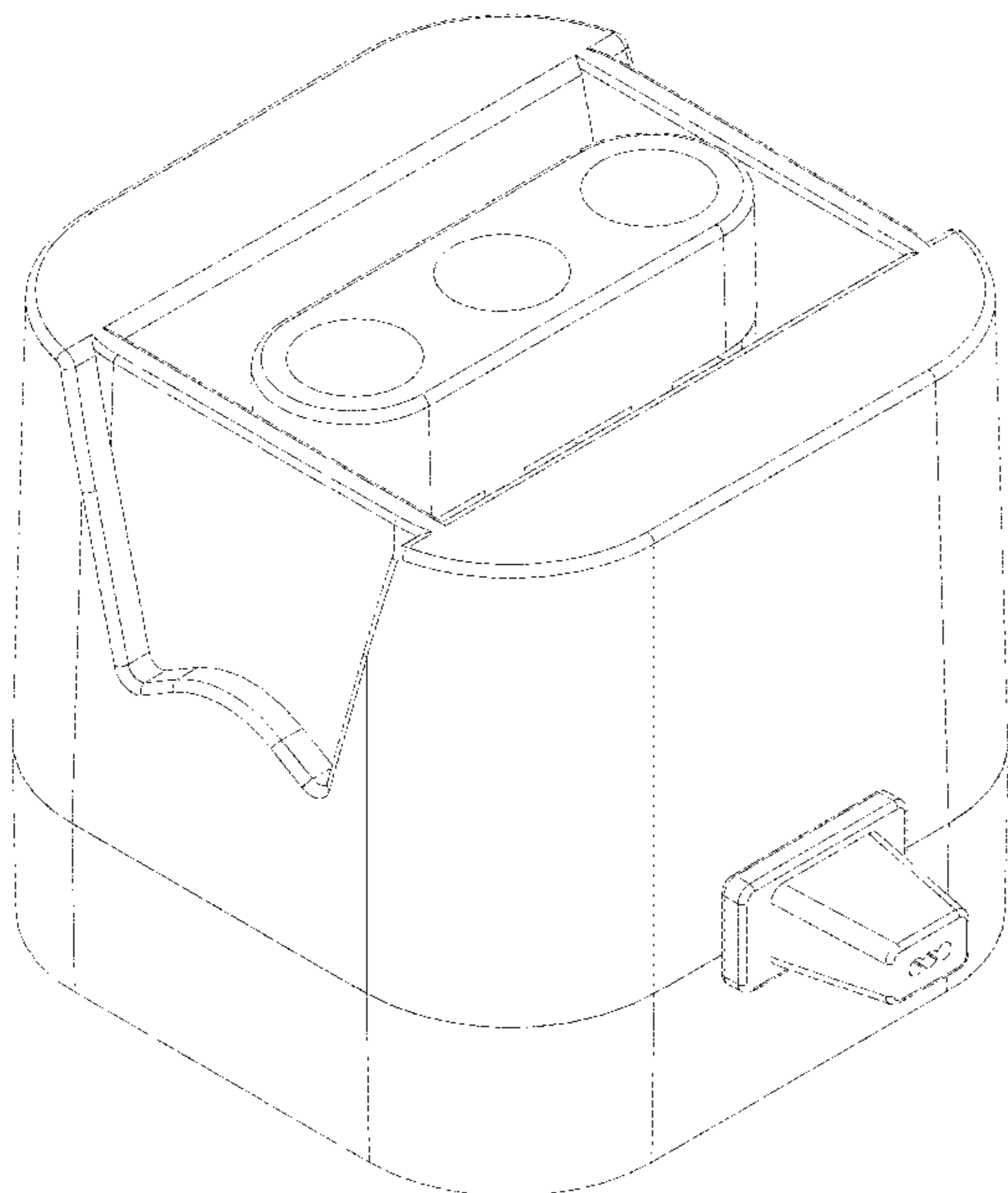
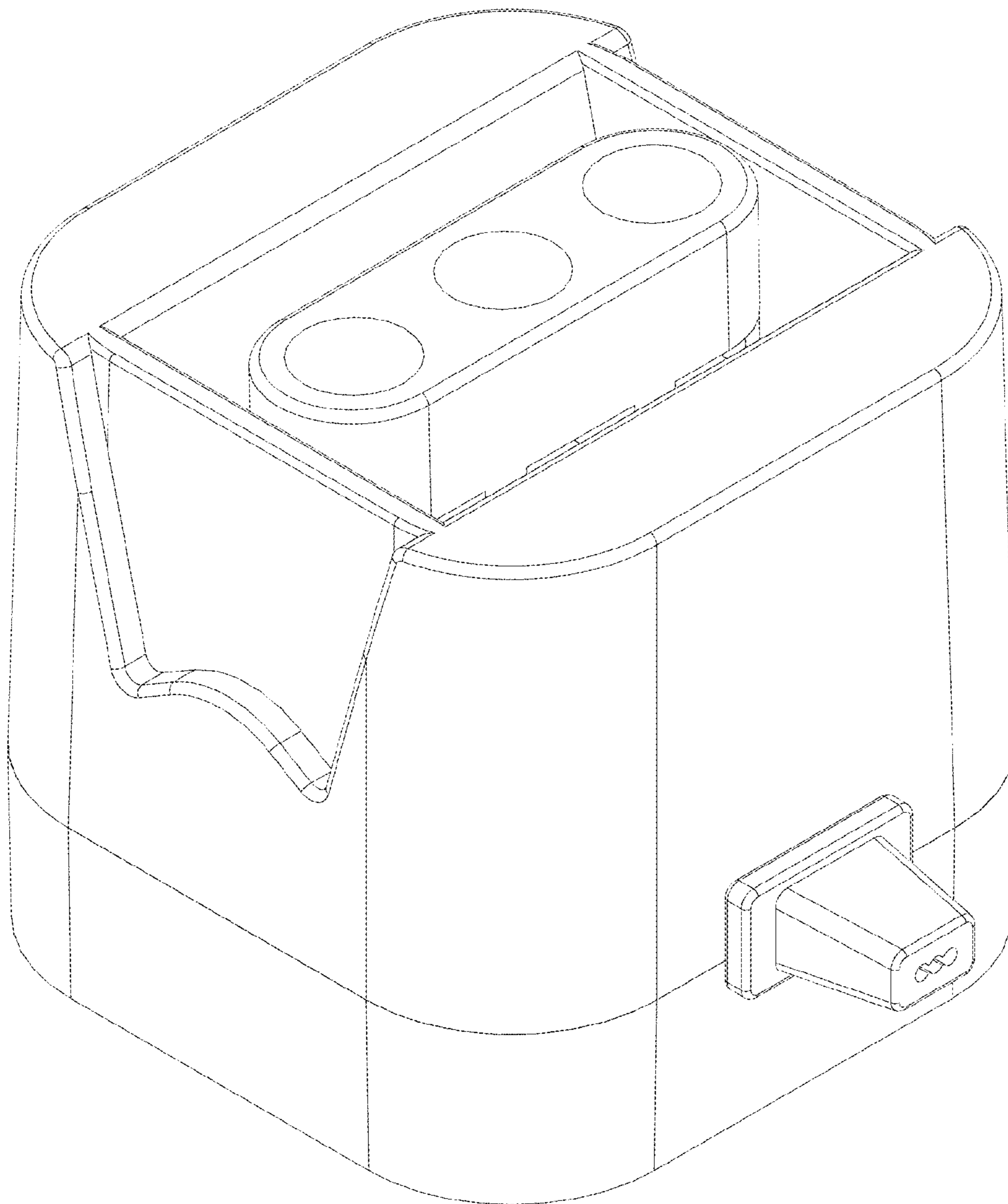
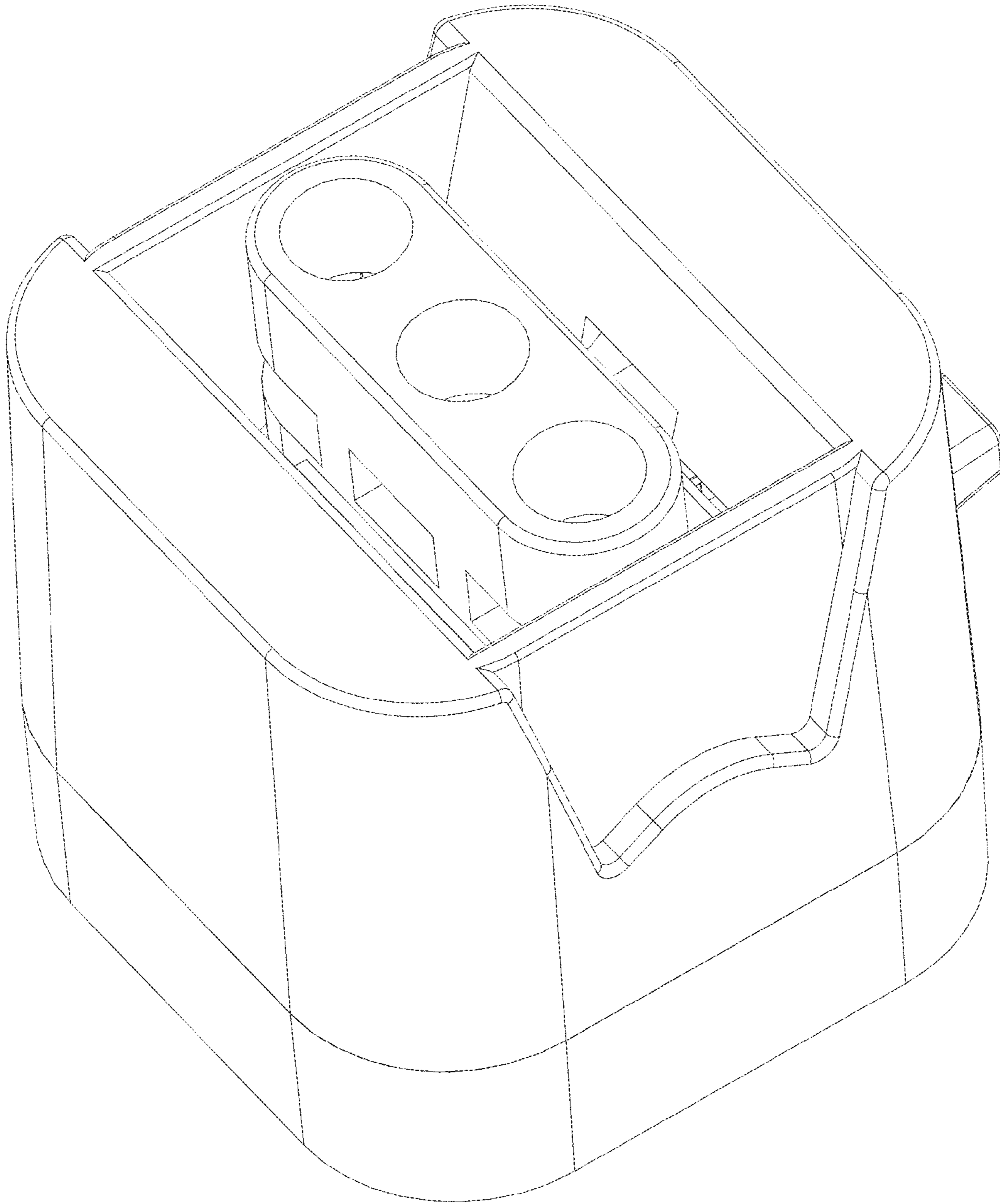


FIGURE 1



**FIGURE 2**



**FIGURE 3**

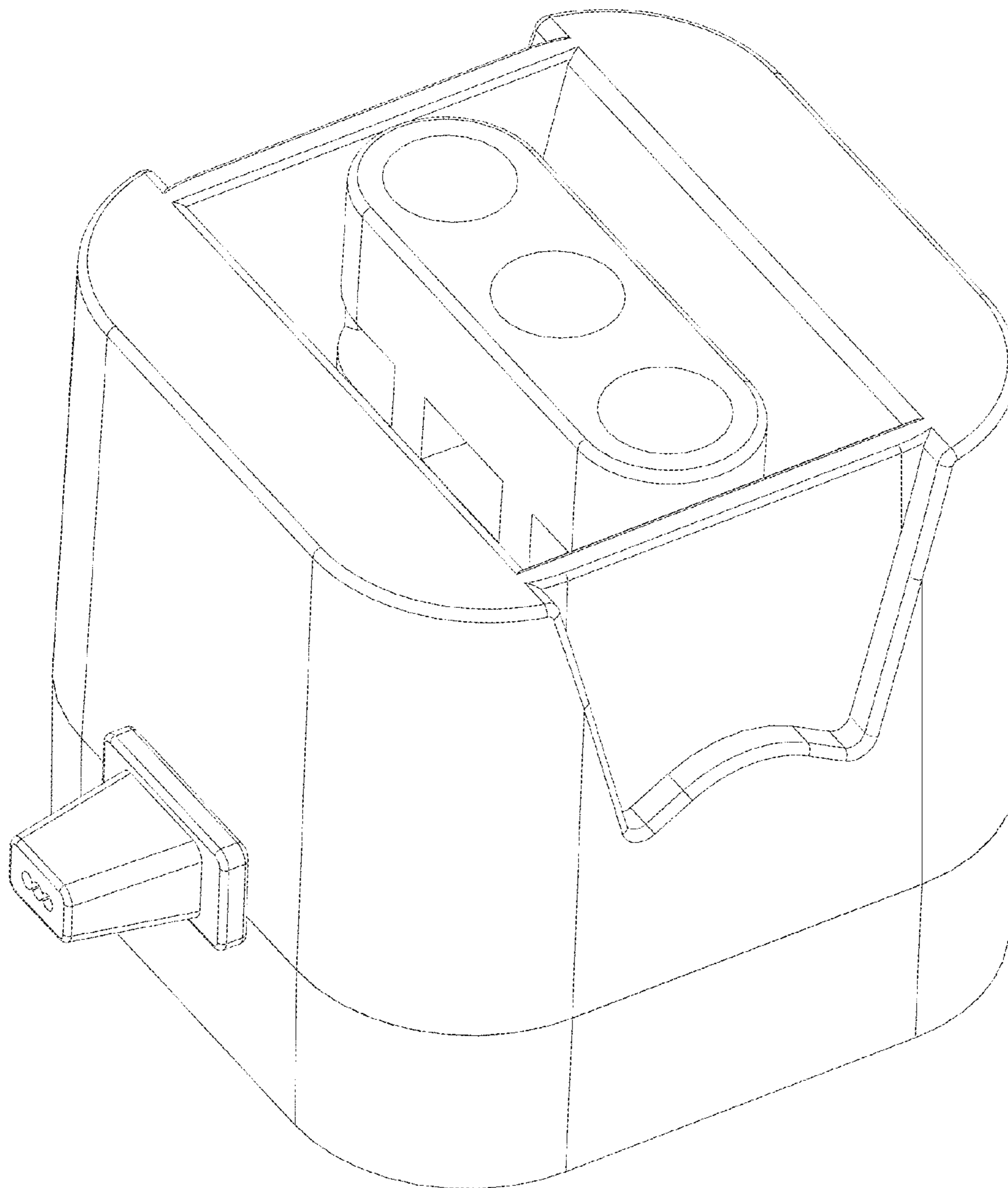


FIGURE 4

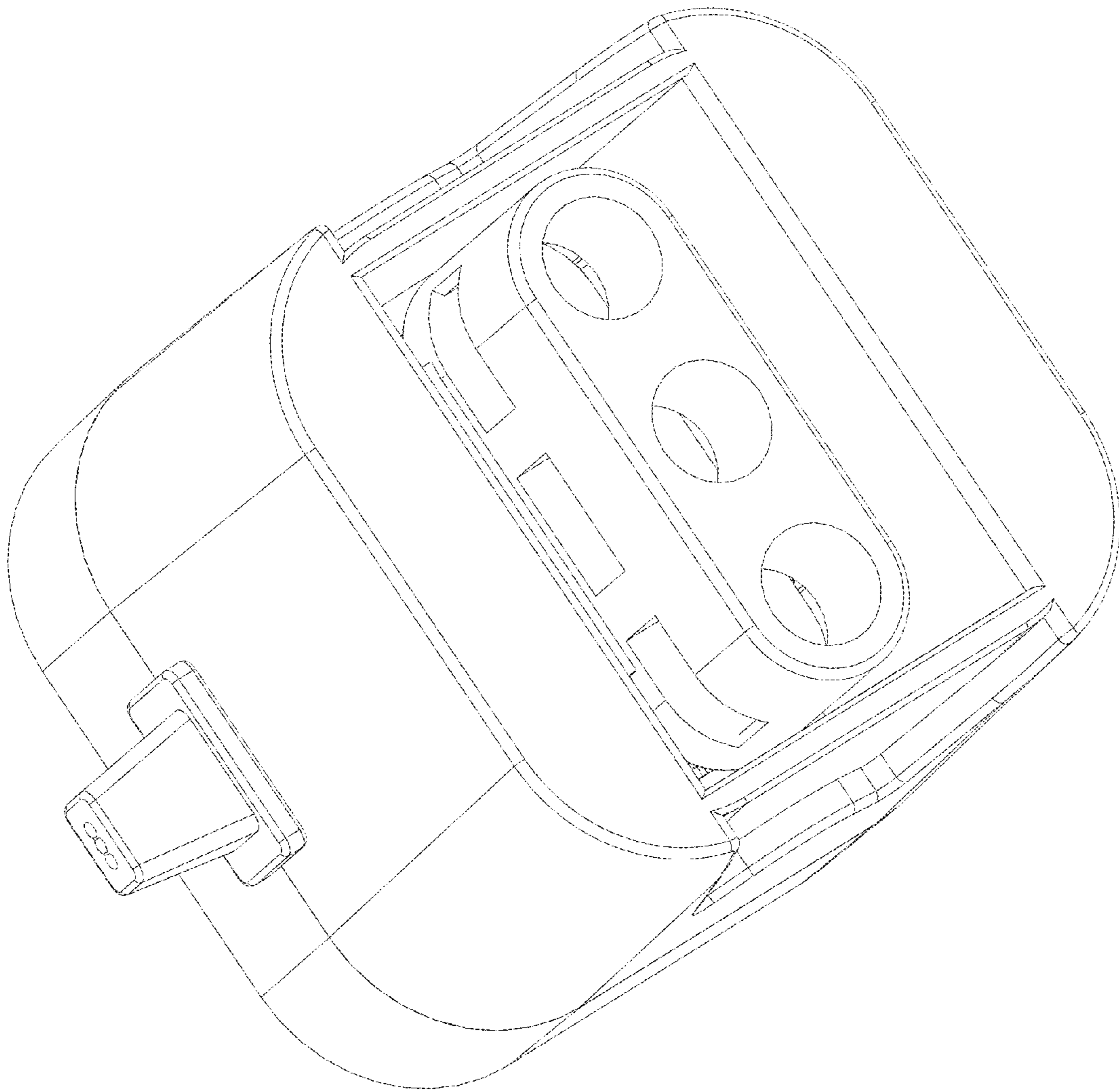
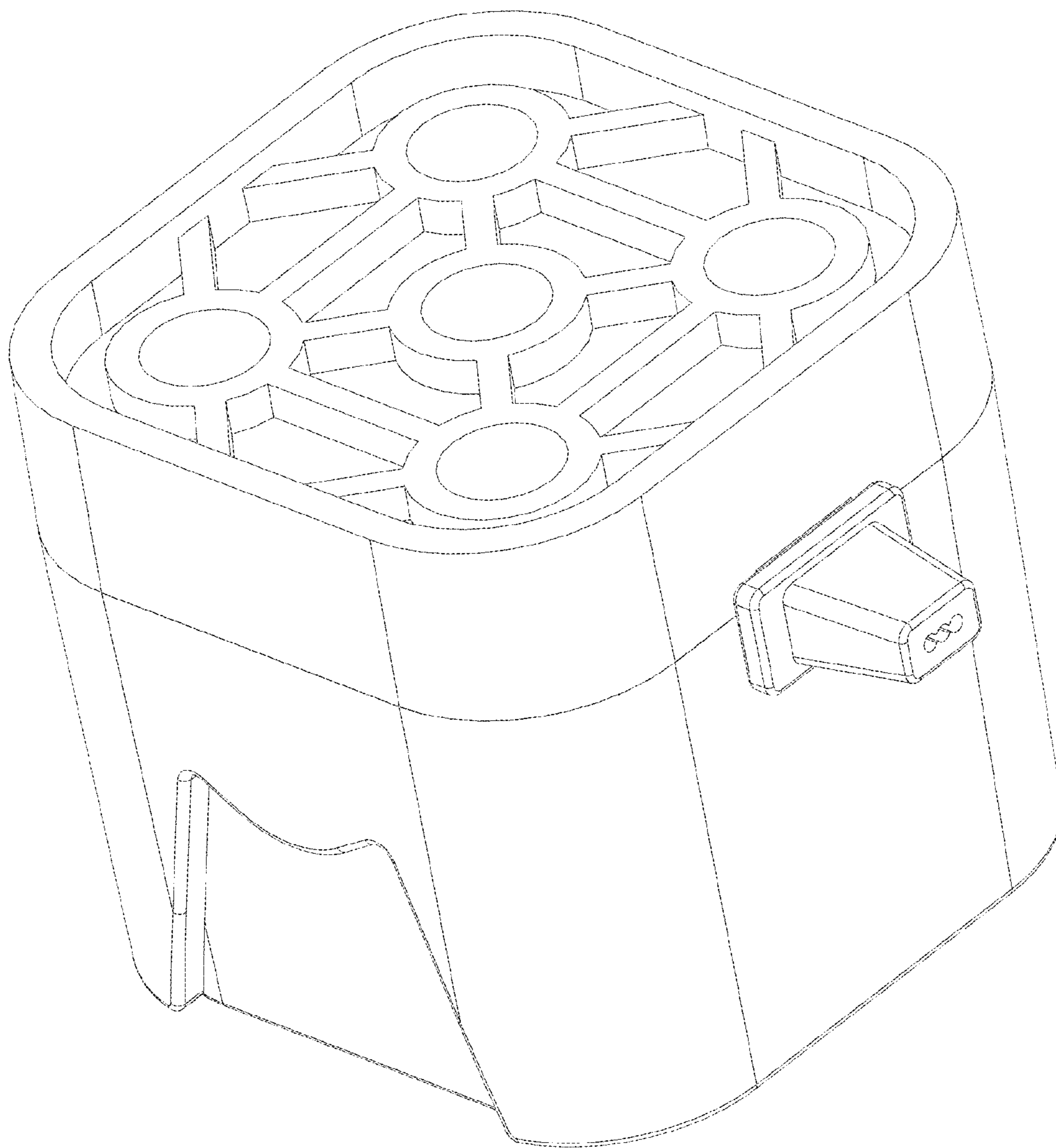
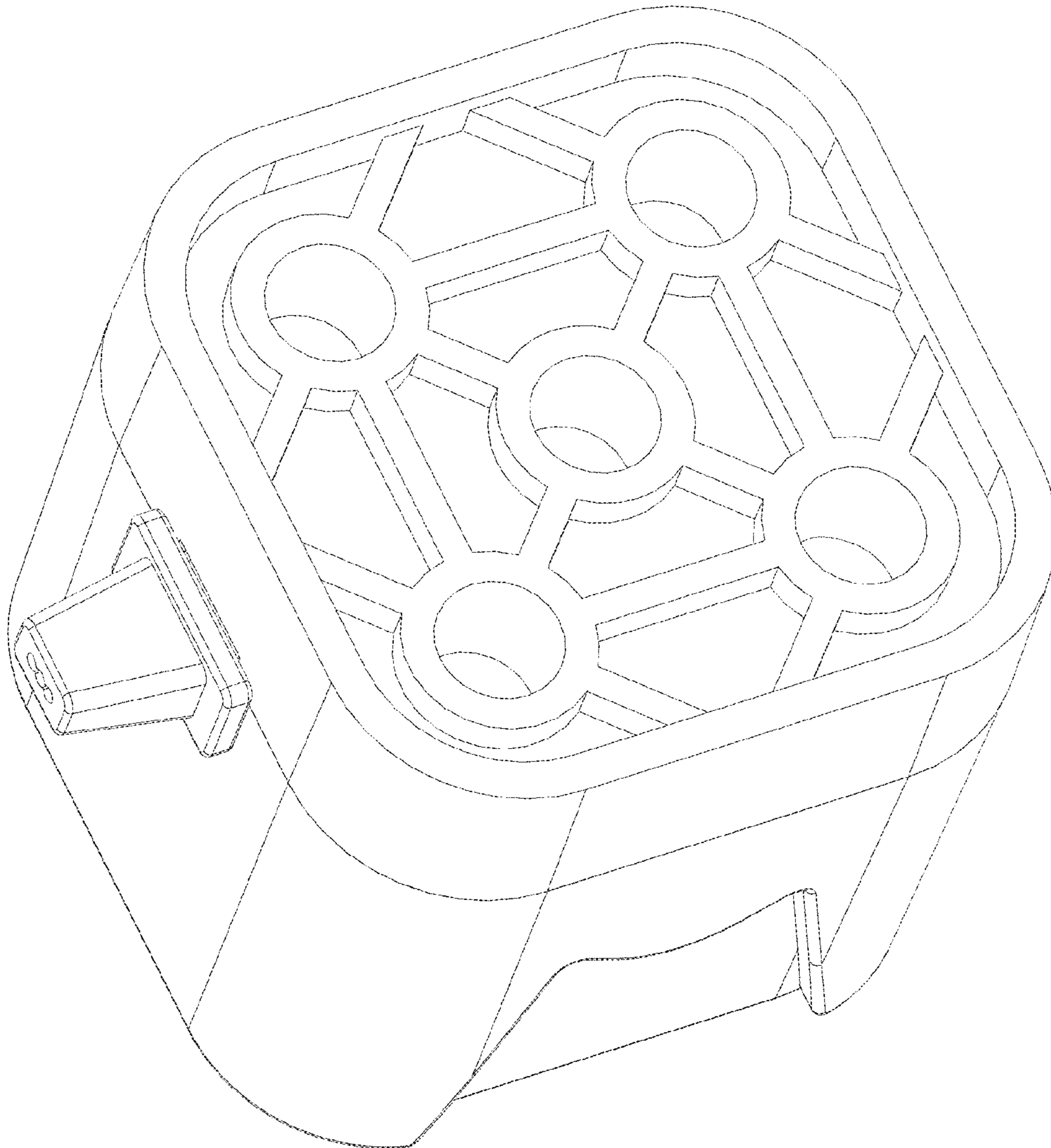


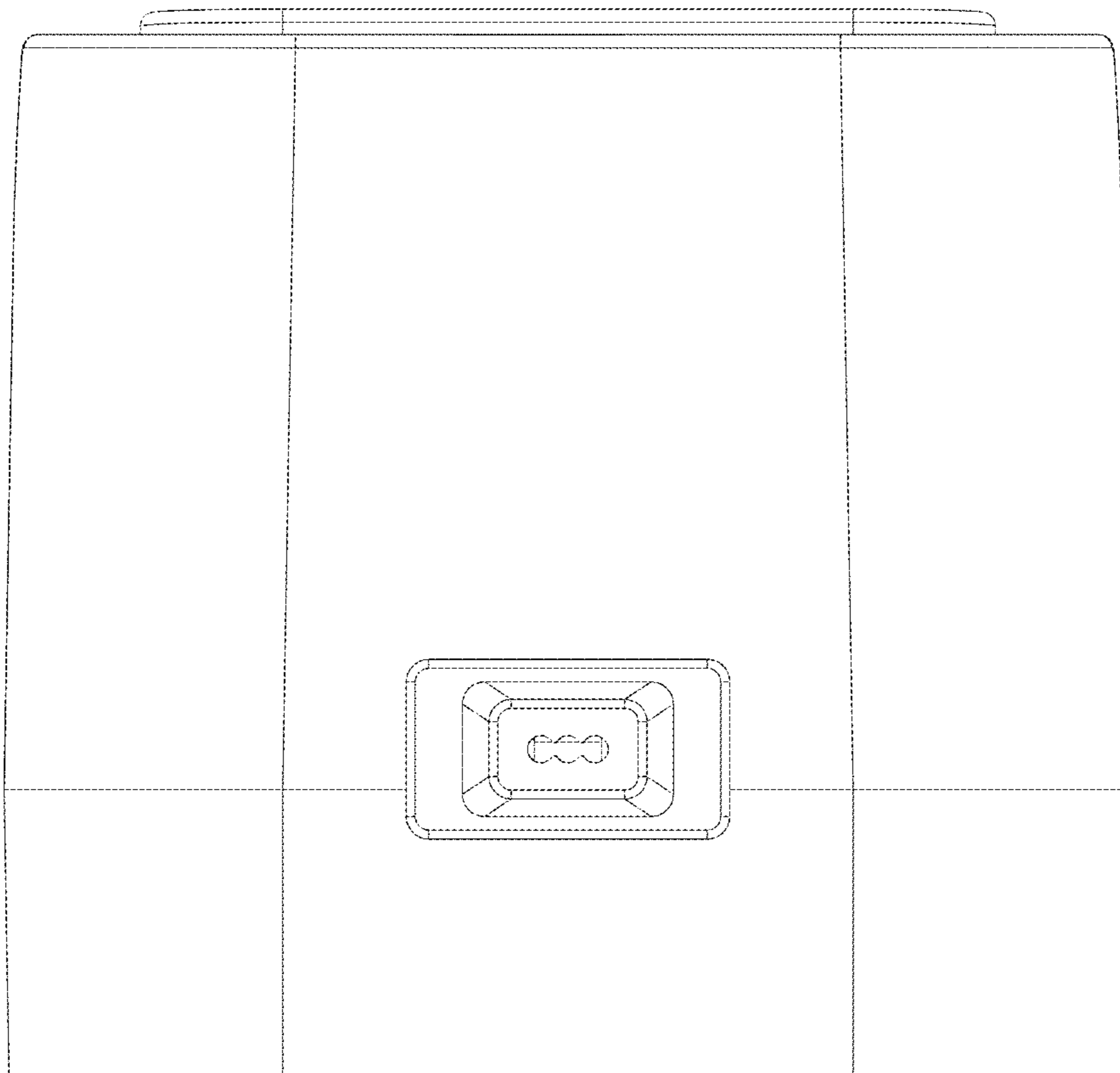
FIGURE 5



**FIGURE 6**



**FIGURE 7**





**FIGURE 8**

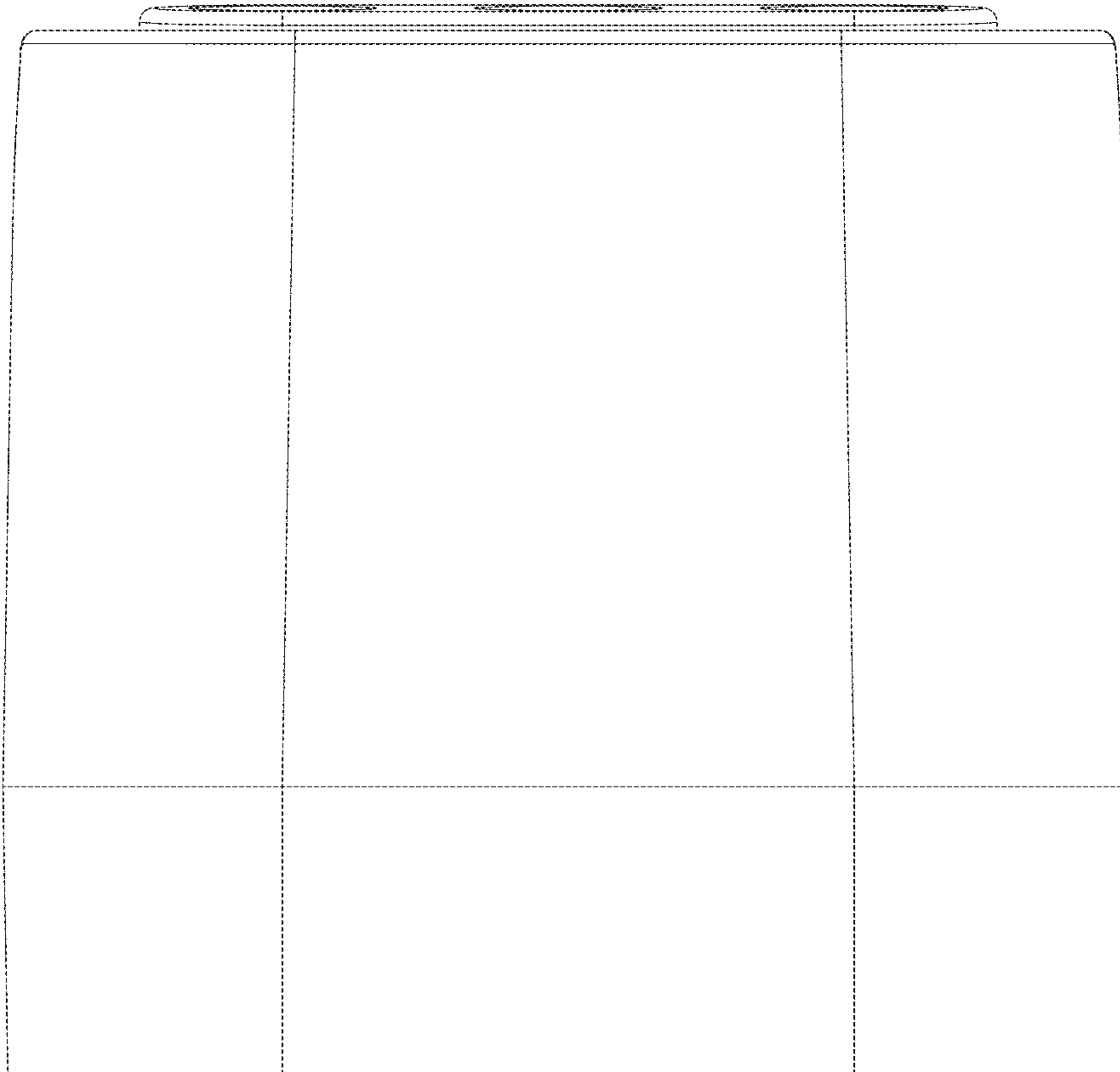


FIGURE 9

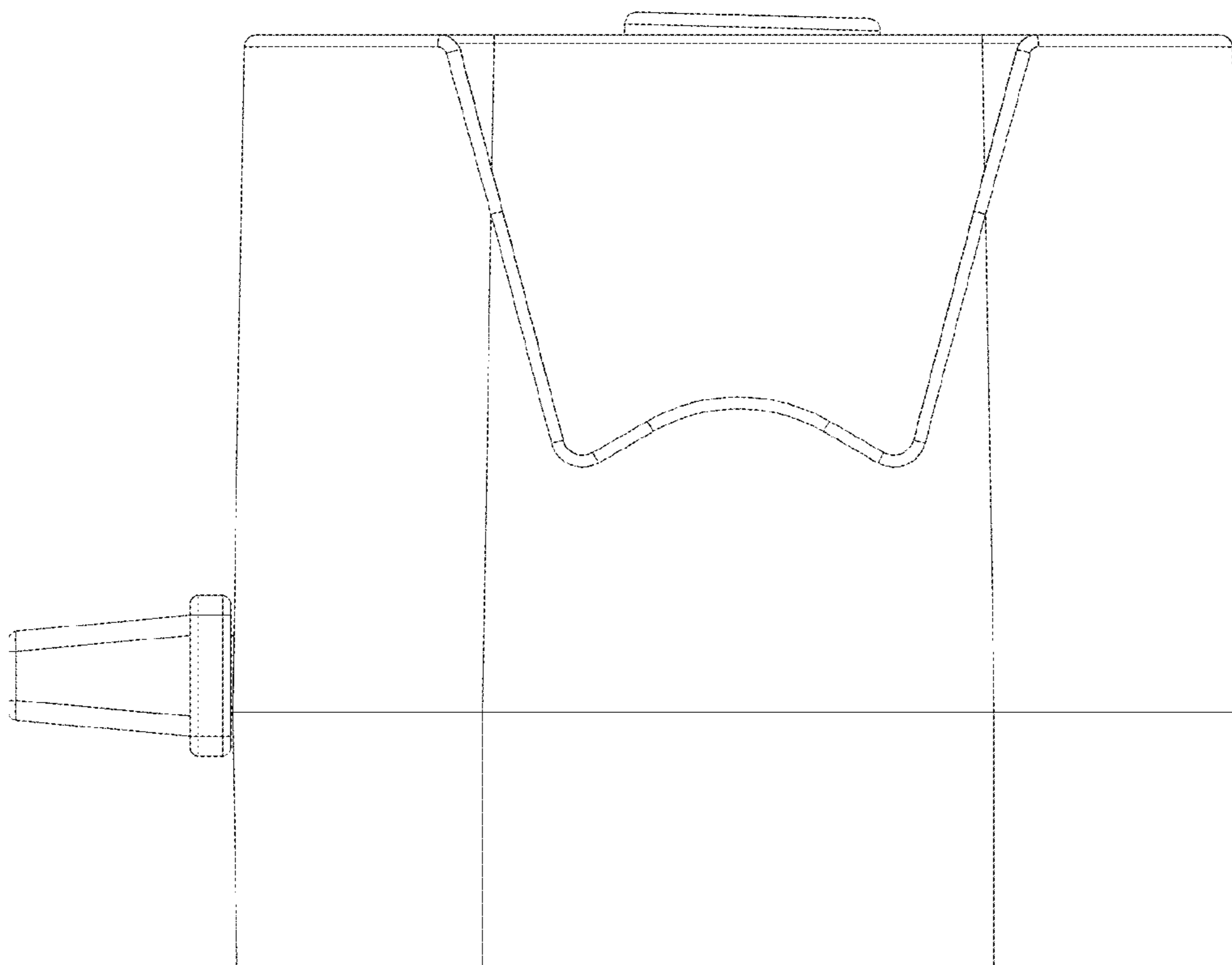
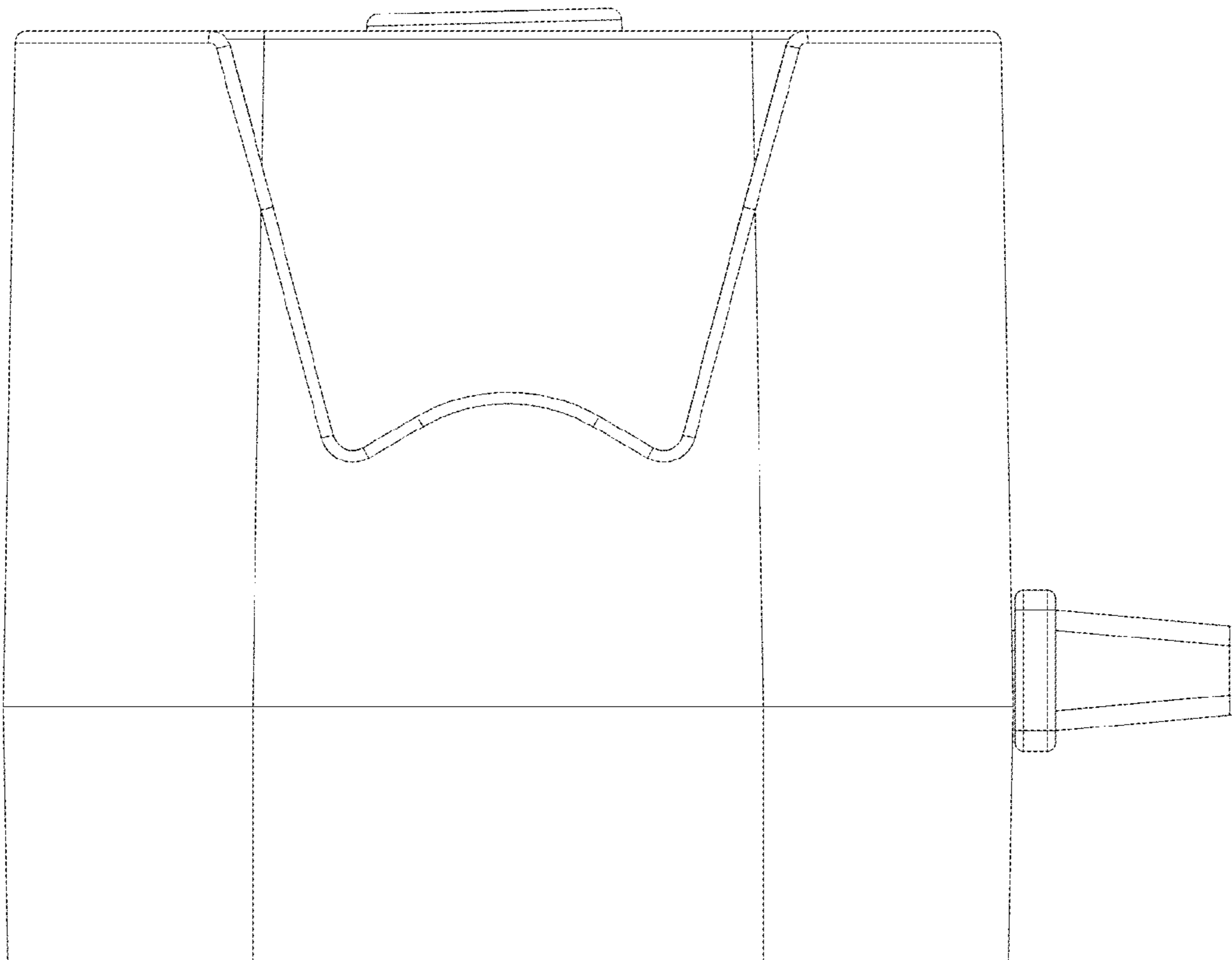


FIGURE 10



**FIGURE 11**

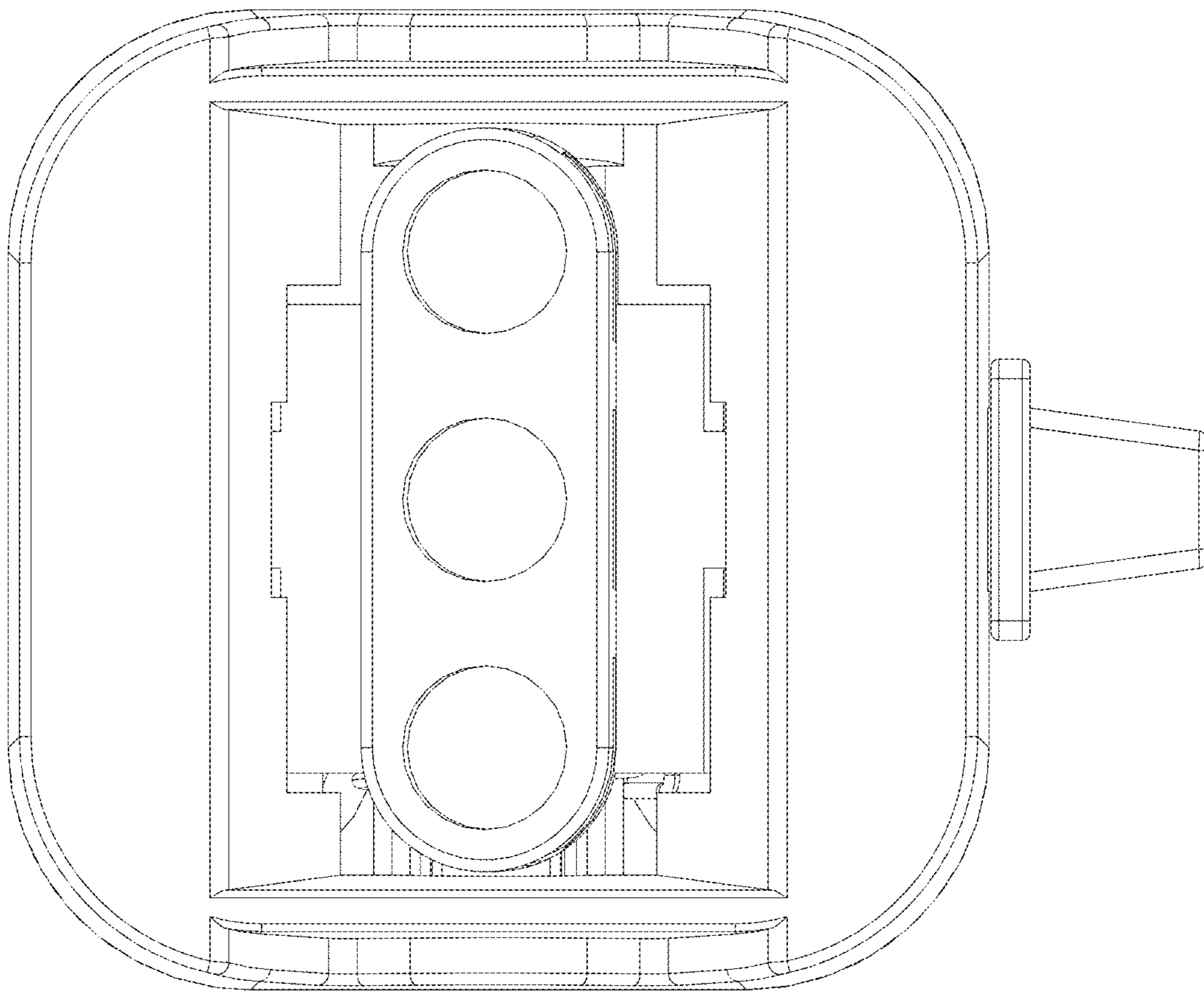


FIGURE 12

