



US00D758222S

(12) **United States Design Patent**
Uchiumi et al.

(10) **Patent No.:** **US D758,222 S**
(45) **Date of Patent:** **** Jun. 7, 2016**

(54) **OXYGEN SENSOR**

(71) Applicant: **Fujikura Ltd.**, Tokyo (JP)
(72) Inventors: **Yoshiyuki Uchiumi**, Tokyo (JP); **Seiki Kato**, Akita (JP)

(73) Assignee: **Fujikura Ltd.**, Tokyo (JP)

(**) Term: **14 Years**

(21) Appl. No.: **29/503,822**

(22) Filed: **Sep. 30, 2014**

(30) **Foreign Application Priority Data**

Apr. 4, 2014 (JP) D2014-007446

(51) **LOC (10) Cl.** **10-04**

(52) **U.S. Cl.**
USPC **D10/81**

(58) **Field of Classification Search**
USPC D10/52-56, 75, 81
CPC G01N 27/407; G01N 27/4062; G01N 27/4075; G01N 27/4078

See application file for complete search history.

(56) **References Cited**

U.S. PATENT DOCUMENTS

D302,529 S * 8/1989 Grady D10/81
D307,559 S * 5/1990 Parker et al. D10/81

* cited by examiner

Primary Examiner — Antoine D Davis

(74) *Attorney, Agent, or Firm* — Michael Best & Friedrich LLP

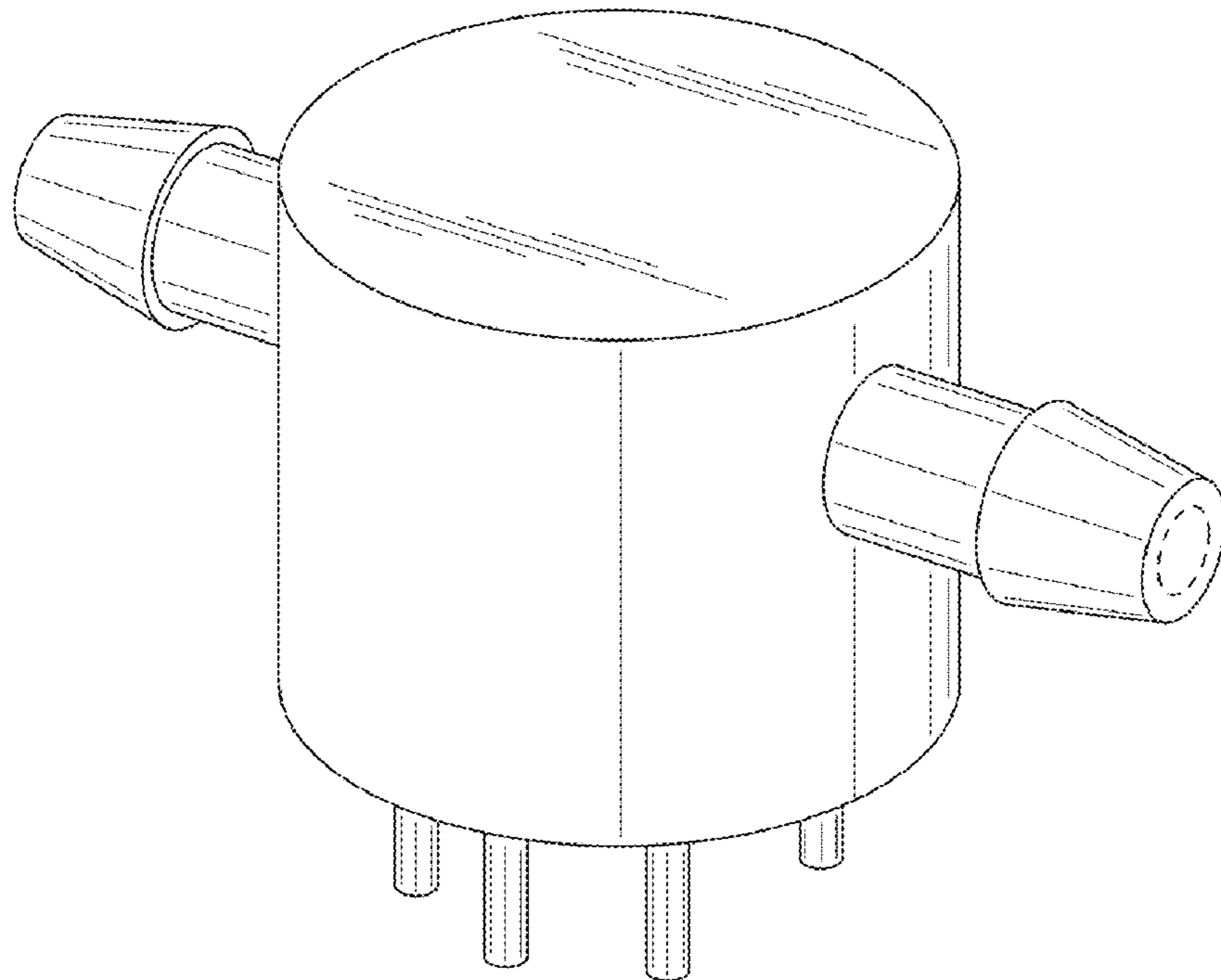
(57) **CLAIM**

The ornamental design for an oxygen sensor, as shown and described.

DESCRIPTION

FIG. 1 is a perspective elevational view of a oxygen sensor showing our new design; and
FIG. 2 is a front elevational view thereof;
FIG. 3 is a rear elevational view thereof;
FIG. 4 is a right side elevational view thereof;
FIG. 5 is a left side elevational view thereof;
FIG. 6 is a top elevational view thereof; and,
FIG. 7 is a bottom elevational view thereof.
The broken line showing of an unclaimed part of the oxygen sensor form no part of the claimed design.

1 Claim, 4 Drawing Sheets



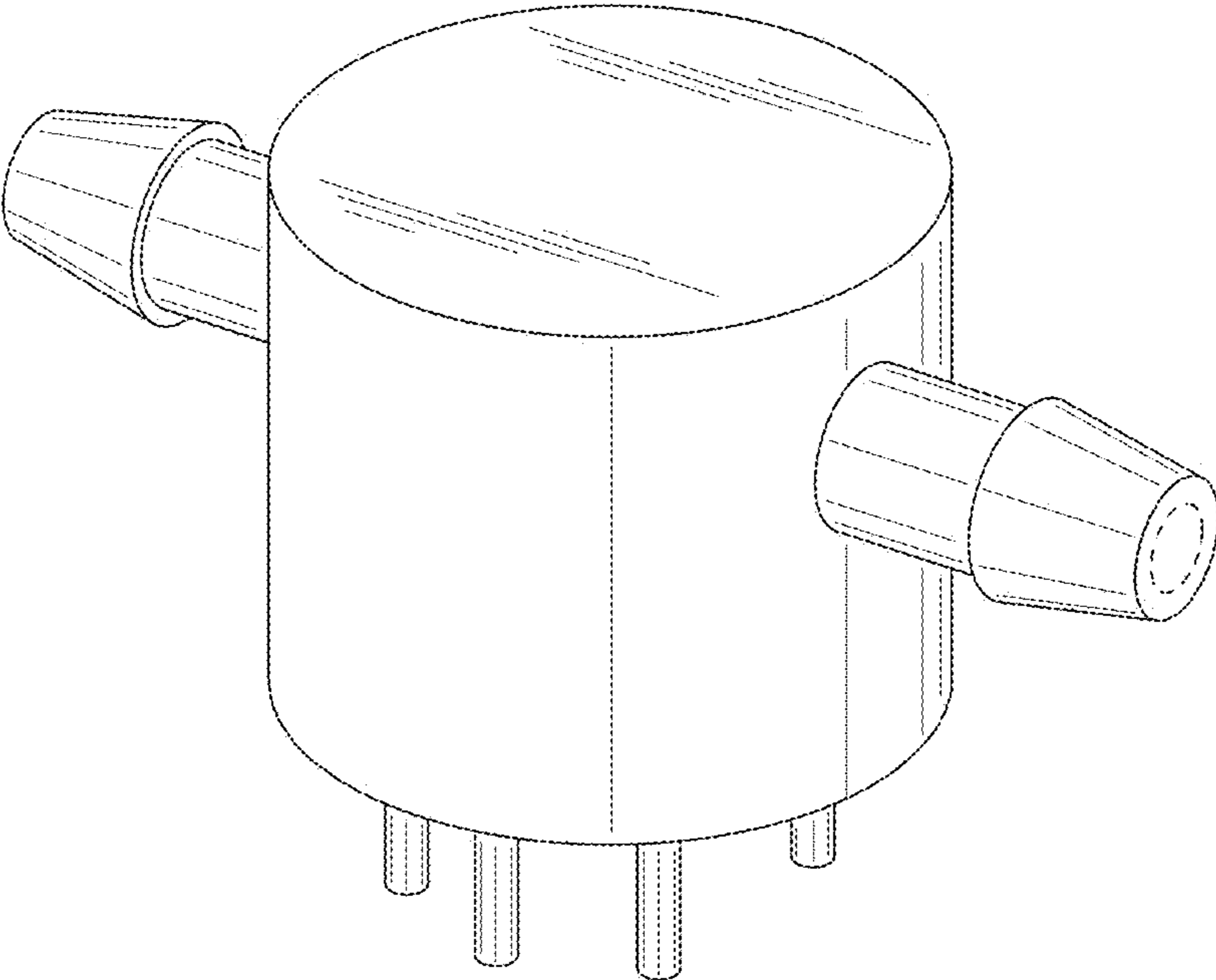


FIG.1

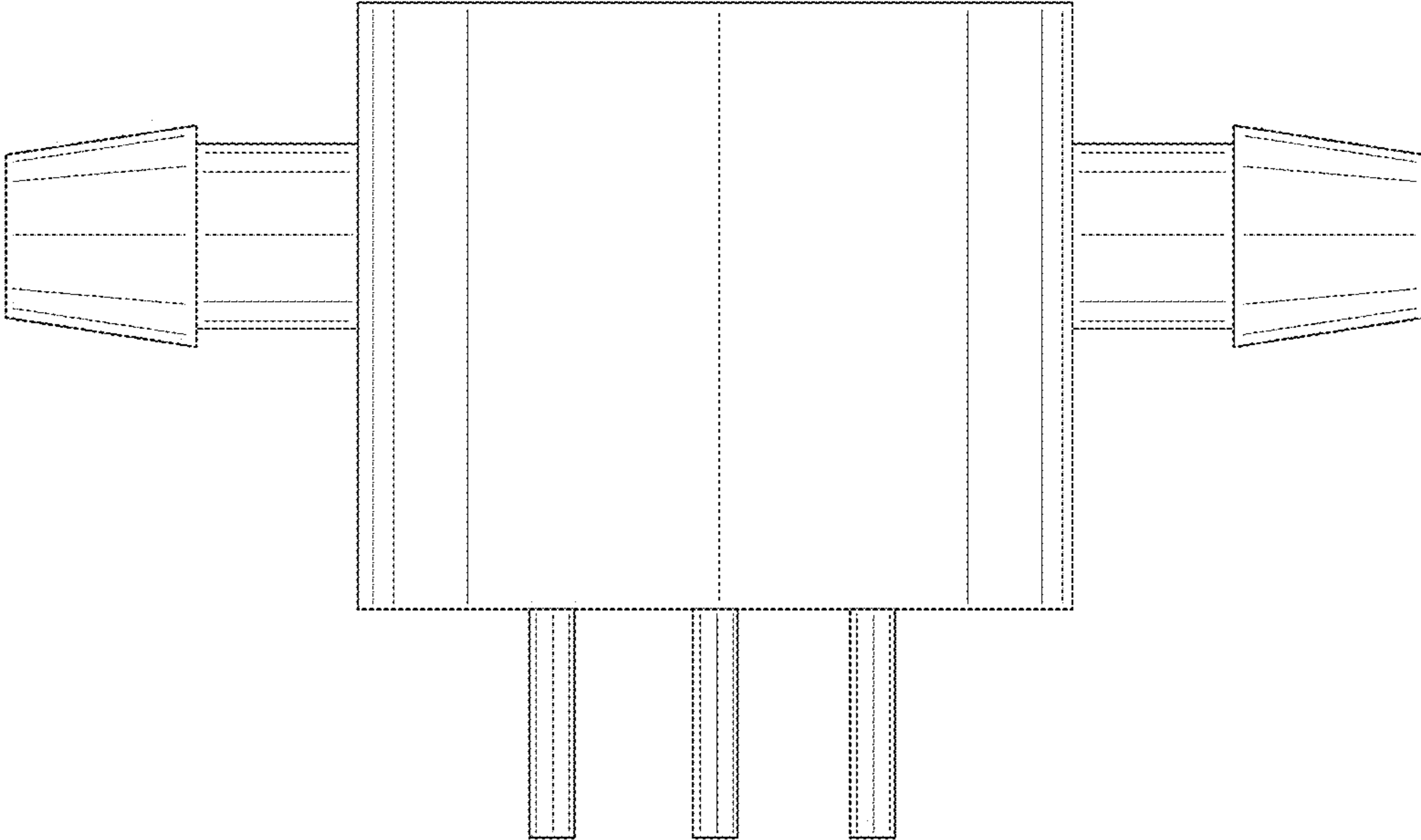


FIG.2

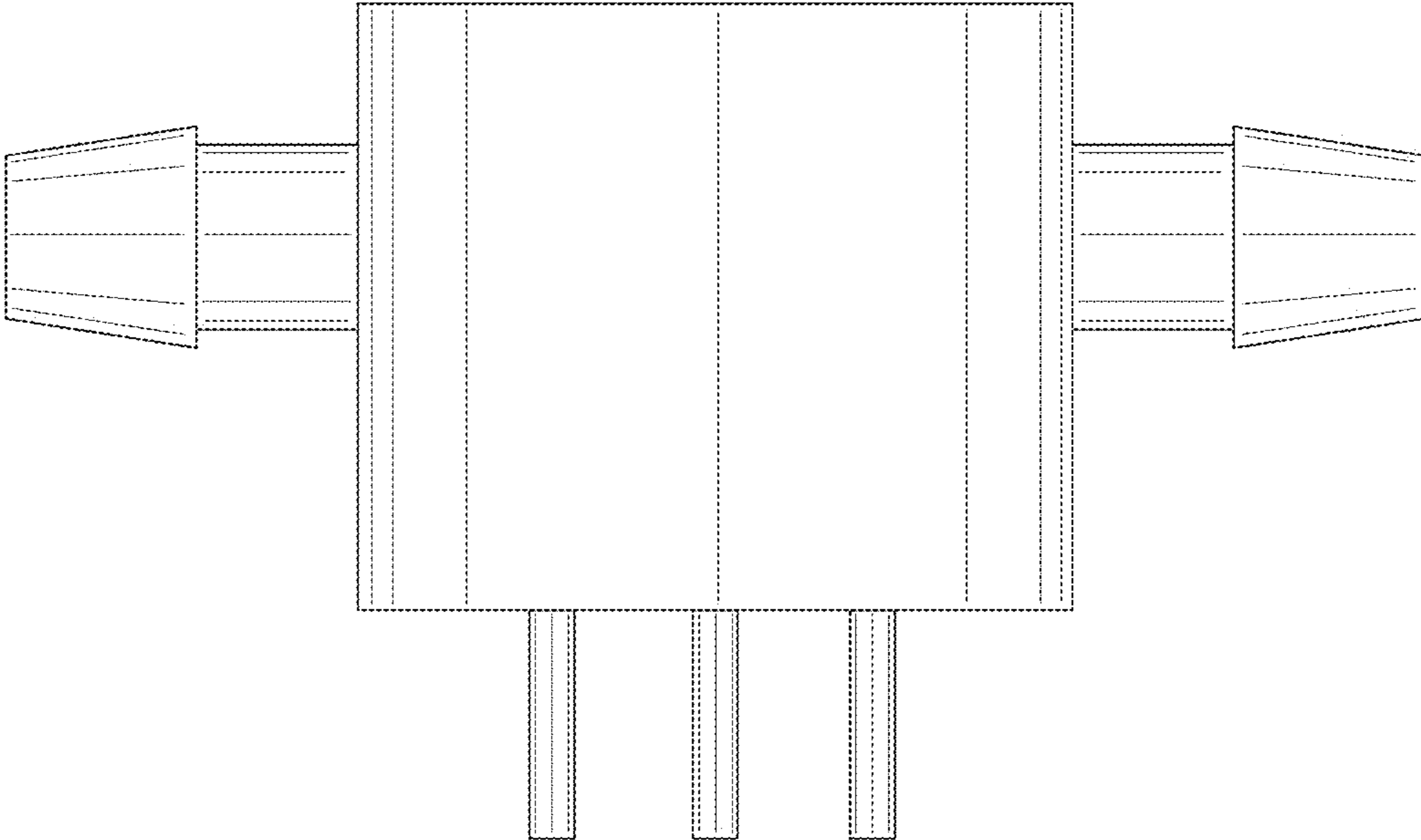


FIG.3

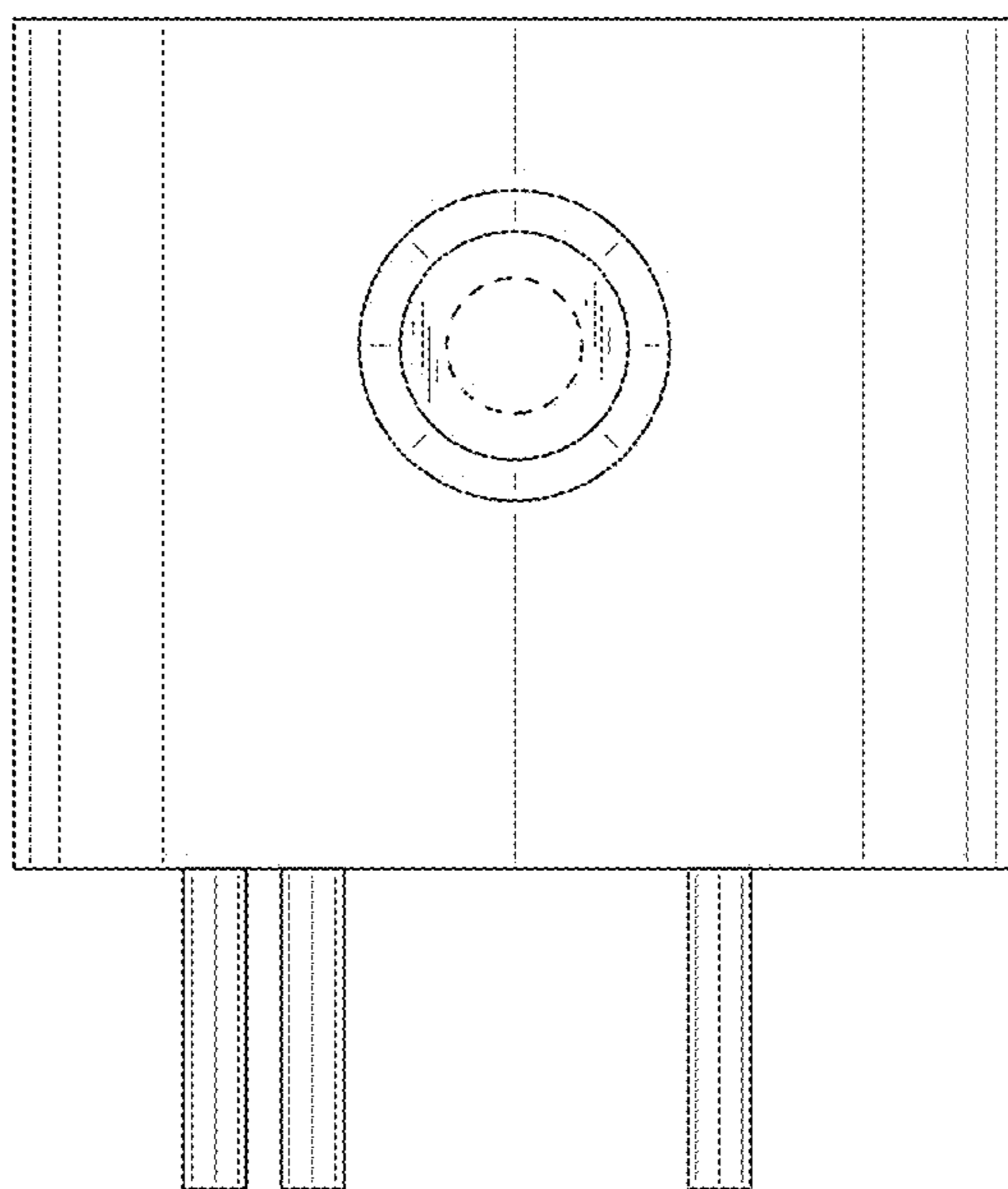


FIG. 4

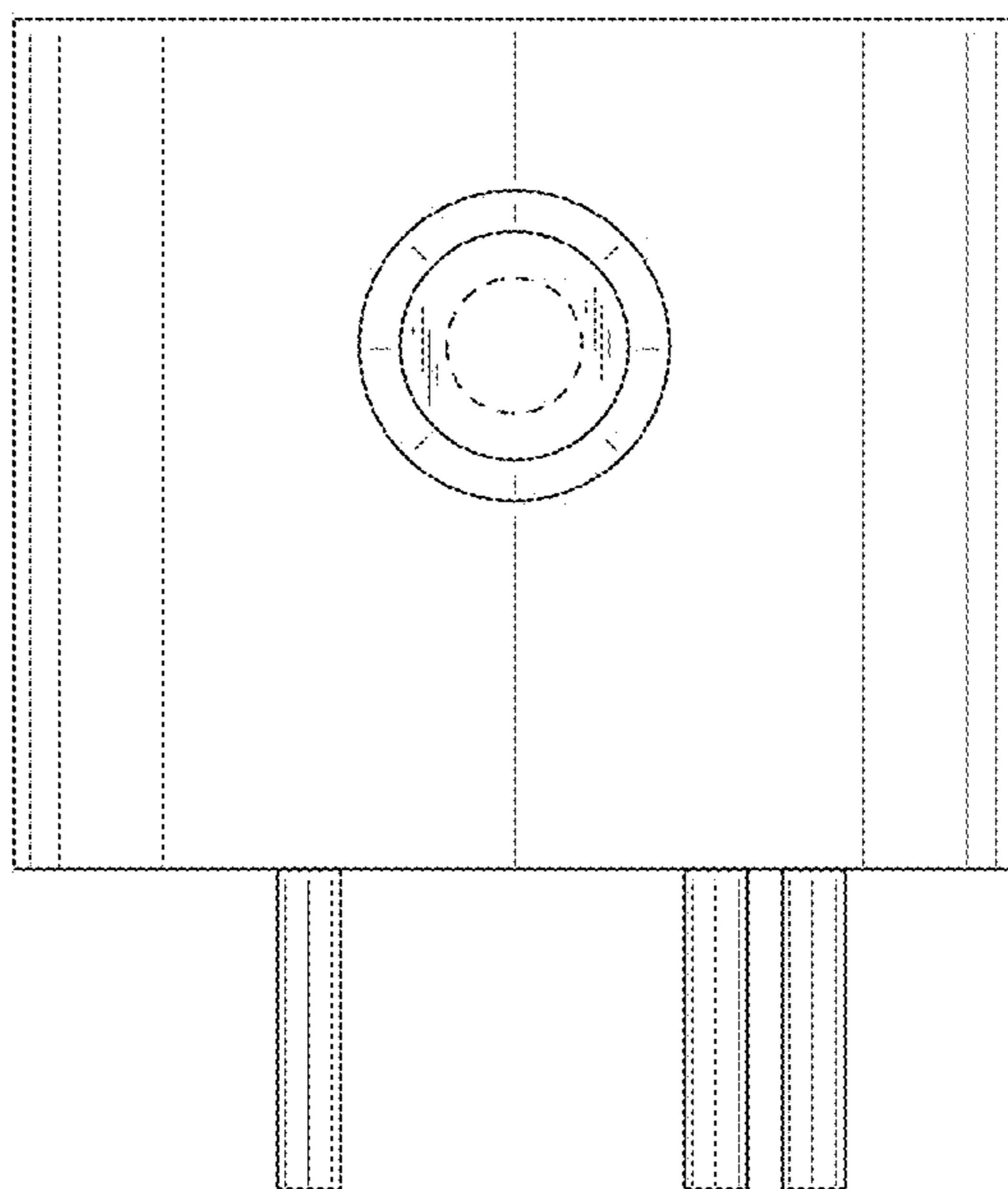


FIG. 5

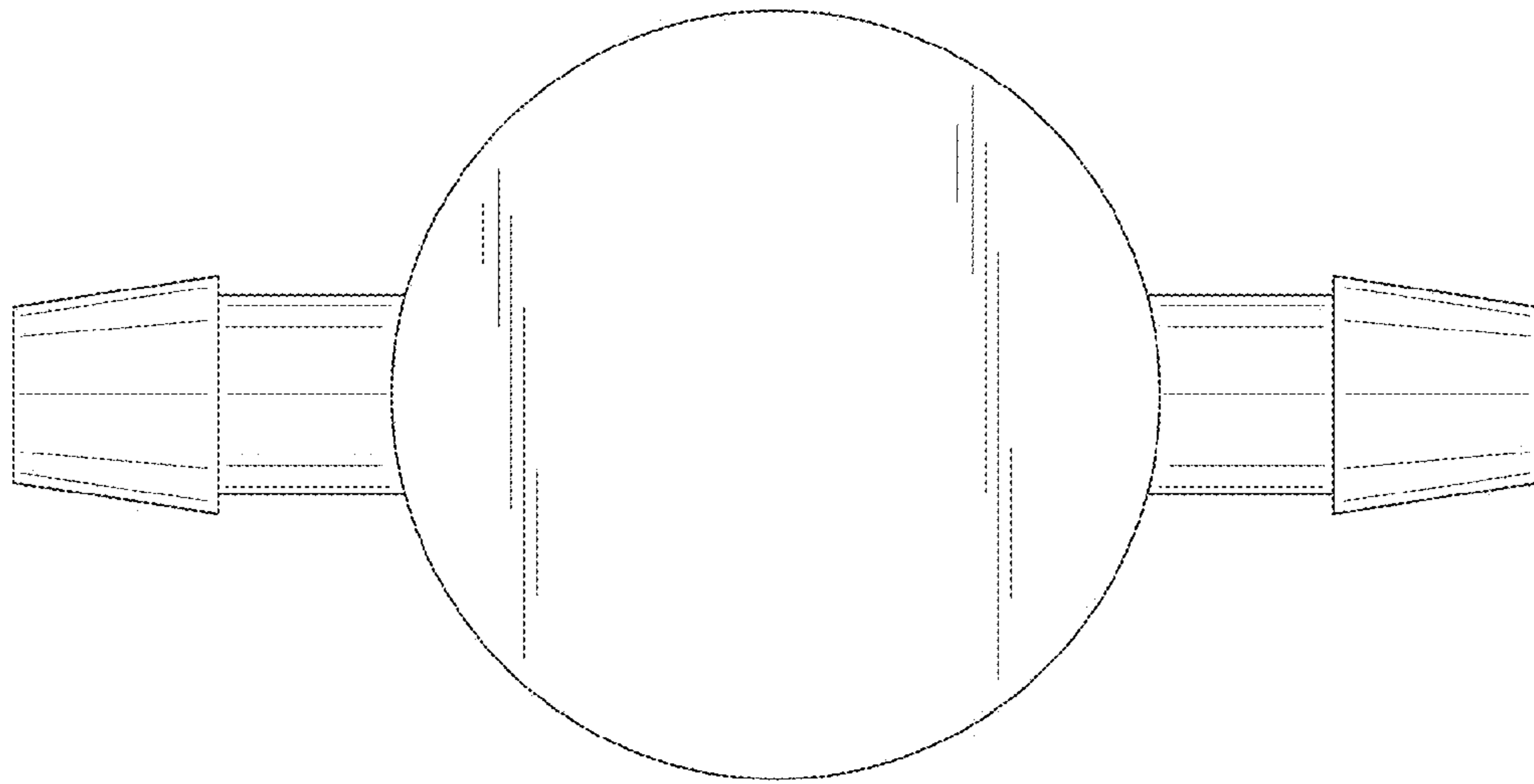


FIG. 6

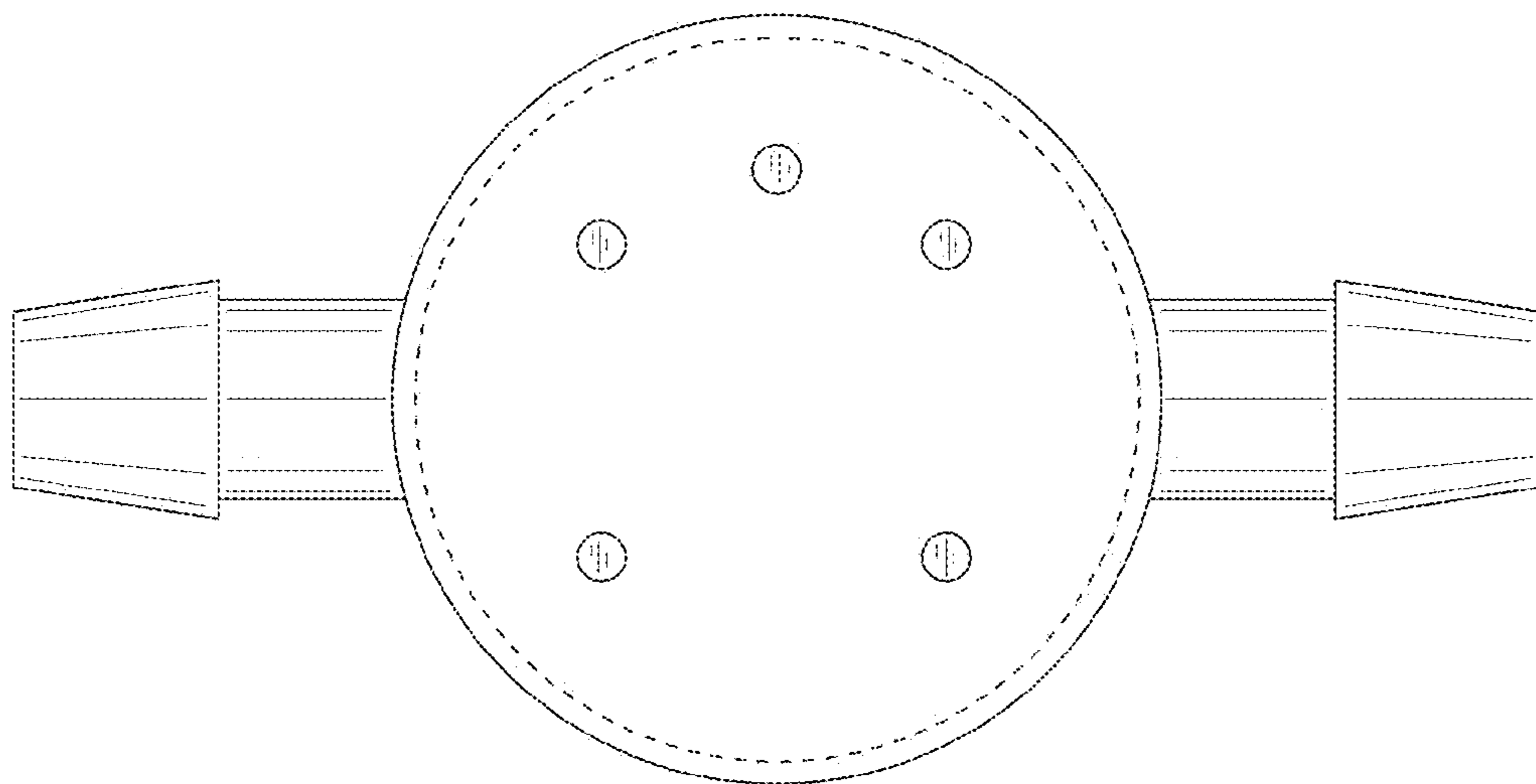


FIG. 7