



US00D758220S

(12) **United States Design Patent**
Votel et al.

(10) **Patent No.:** **US D758,220 S**
(45) **Date of Patent:** **** Jun. 7, 2016**

- (54) **TAPE MEASURE HARNESS**
- (71) Applicant: **Tenacious Holdings, Inc.**, St. Paul, MN (US)
- (72) Inventors: **Thomas Votel**, Sunfish Lake, MN (US);
Nate Bohmbach, Lakeville, MN (US);
Brent Velenchenko, St. Paul, MN (US);
Dominique Aris, Louisville, CO (US)
- (73) Assignee: **Tenacious Holdings, Inc.**, St. Paul, MN (US)

| | | | |
|-----------------|---------|---------------|--------|
| 5,257,729 A | 11/1993 | Silvernail | |
| 5,388,741 A | 2/1995 | Hillinger | |
| 5,577,329 A | 11/1996 | States | |
| 5,809,662 A | 9/1998 | Skinner | |
| 5,915,610 A | 6/1999 | Russell | |
| 6,047,481 A | 4/2000 | Bond | |
| 6,098,303 A | 8/2000 | Vogel | |
| 6,212,788 B1 | 4/2001 | Zerkle | |
| 6,457,252 B1 | 10/2002 | Kershner | |
| D476,244 S * | 6/2003 | Lee | D10/72 |
| D711,753 S | 8/2014 | Moreau et al. | |
| 2003/0074803 A1 | 4/2003 | Mutai et al. | |
| 2014/0310969 A1 | 10/2014 | Moreau et al. | |

* cited by examiner

(**) Term: **14 Years**

Primary Examiner — Antoine D Davis

(21) Appl. No.: **29/522,598**

(74) *Attorney, Agent, or Firm* — Skaar Ubrich Macari, P.A.

(22) Filed: **Apr. 1, 2015**

(51) **LOC (10) Cl.** **10-04**

(52) **U.S. Cl.**
USPC **D10/74**

(58) **Field of Classification Search**
USPC D3/228, 315; D10/72, 74
CPC .. G01B 3/1005; G01B 3/1041; G01B 3/1071;
G01B 2003/1043; G01B 2003/1048; G01B
2003/1074
See application file for complete search history.

(57) **CLAIM**

We claim the ornamental design for tape measure harness, as shown and described.

DESCRIPTION

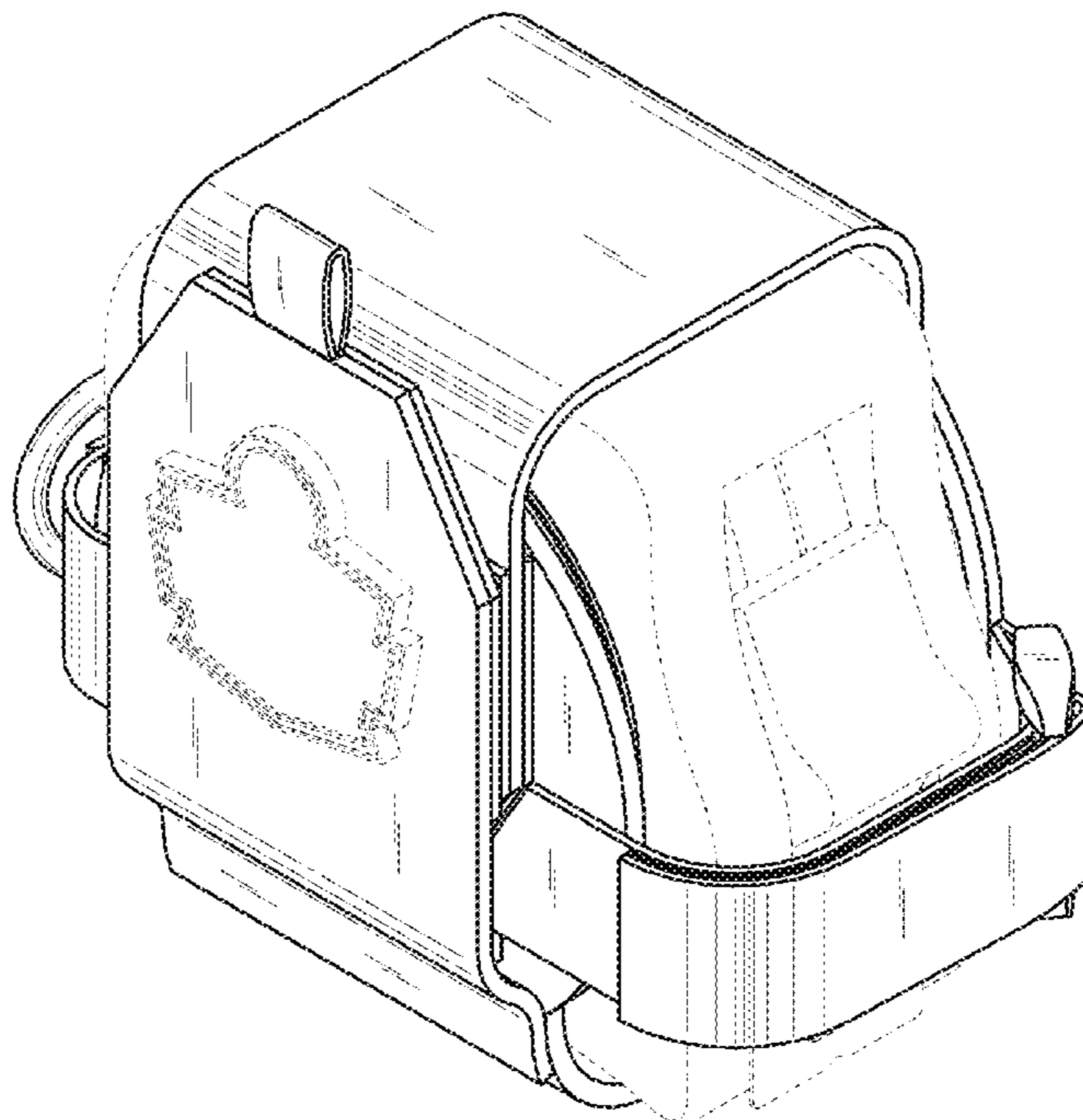
FIG. 1 is a perspective view of our tape measure harness invention.
FIG. 2 is a front elevation view of thereof.
FIG. 3 is a rear elevation view thereof.
FIG. 4 is a side elevation view thereof.
FIG. 5 is a side elevation view thereof.
FIG. 6 is a top plan view thereof; and,
FIG. 7 is a bottom plan view thereof.
The broken lines in the drawings illustrate features of the article to which the design is applied that form no part of the claim.

(56) **References Cited**

U.S. PATENT DOCUMENTS

| | | |
|-------------|---------|---------------|
| 2,807,886 A | 10/1957 | Aciego |
| 4,874,255 A | 10/1989 | Ball et al. |
| 5,025,966 A | 6/1991 | Potter |
| 5,100,037 A | 3/1992 | Kopyta et al. |
| D334,286 S | 3/1993 | Keene |

1 Claim, 7 Drawing Sheets



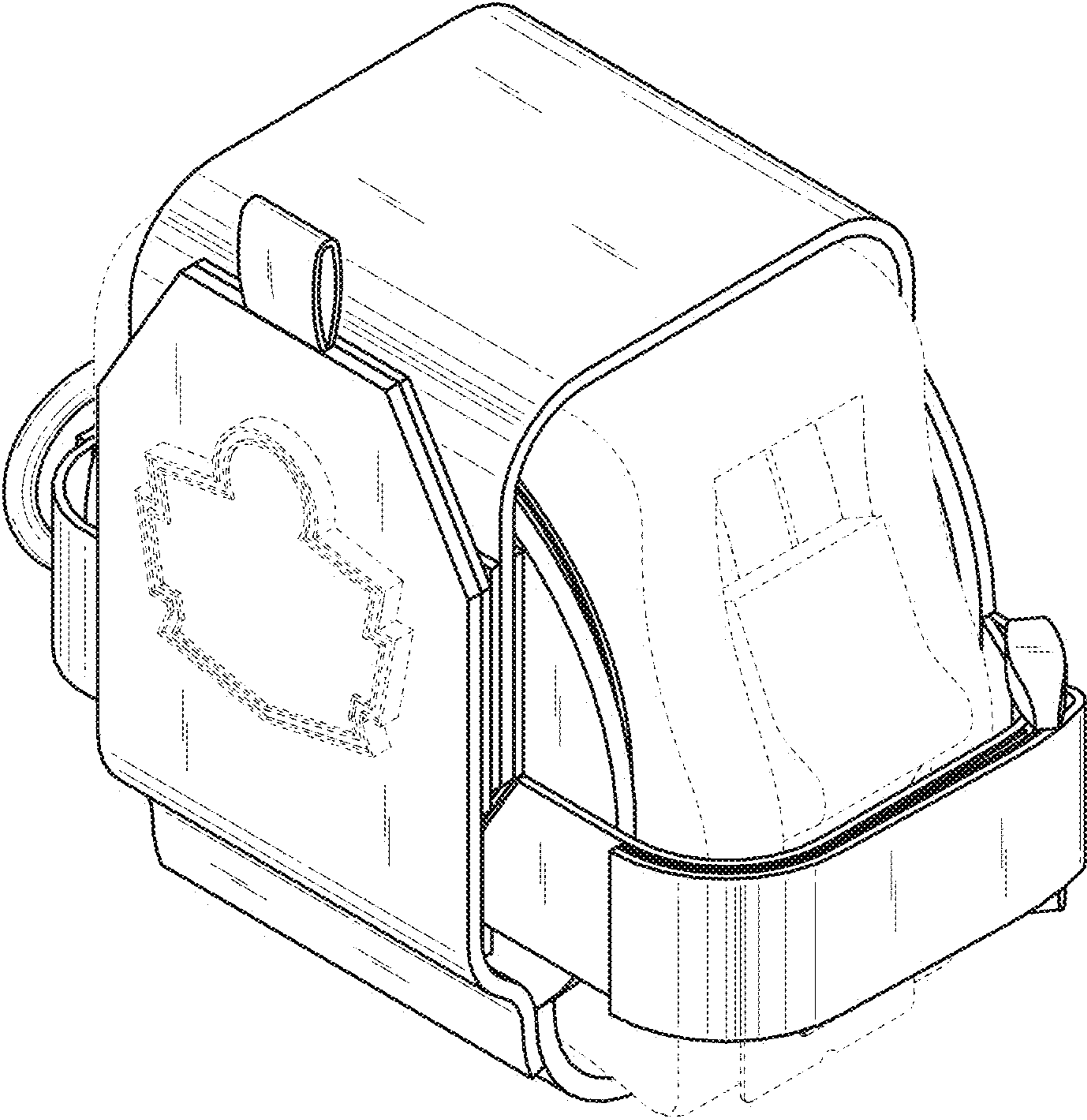


Fig. 1

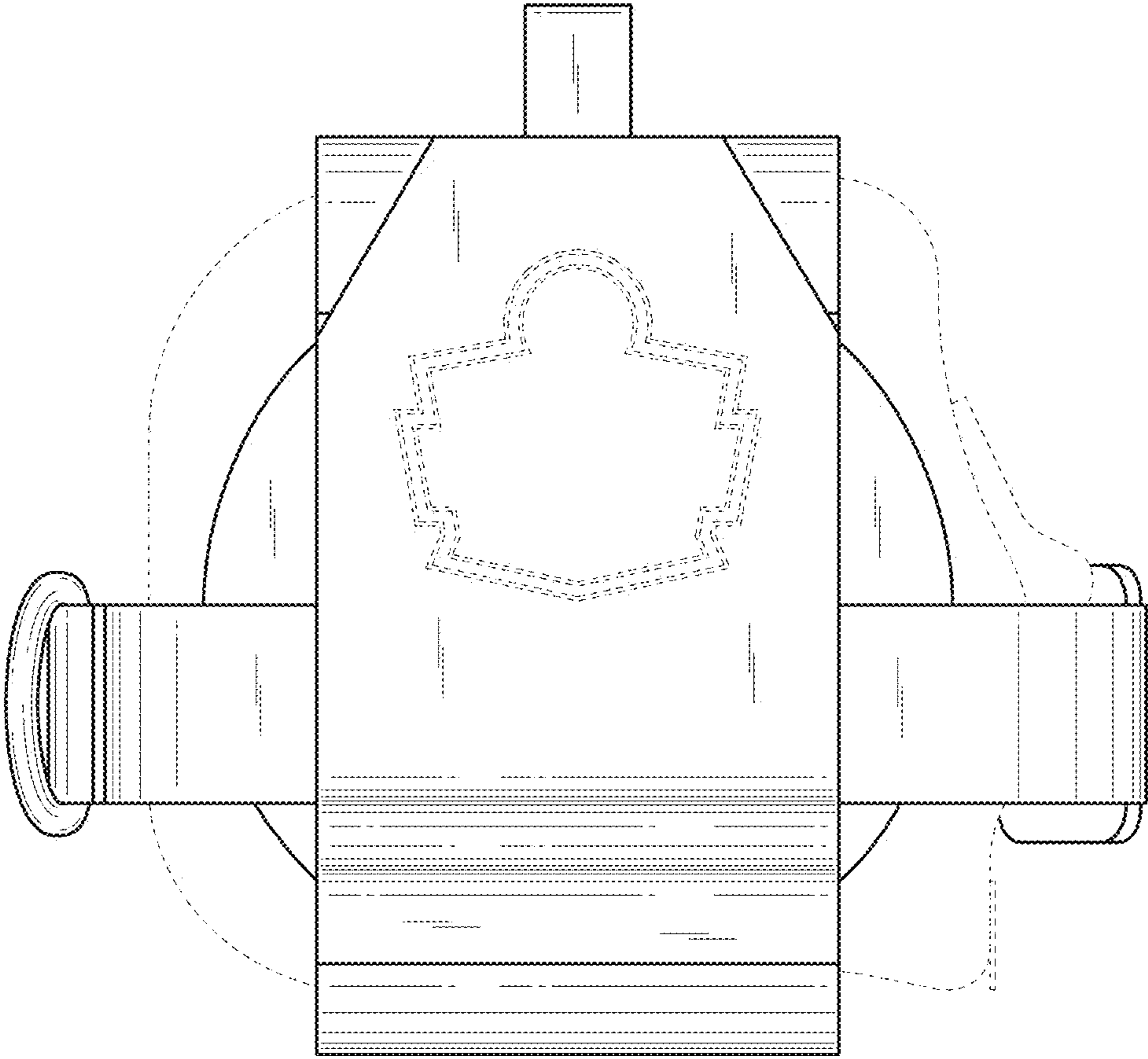


Fig. 2

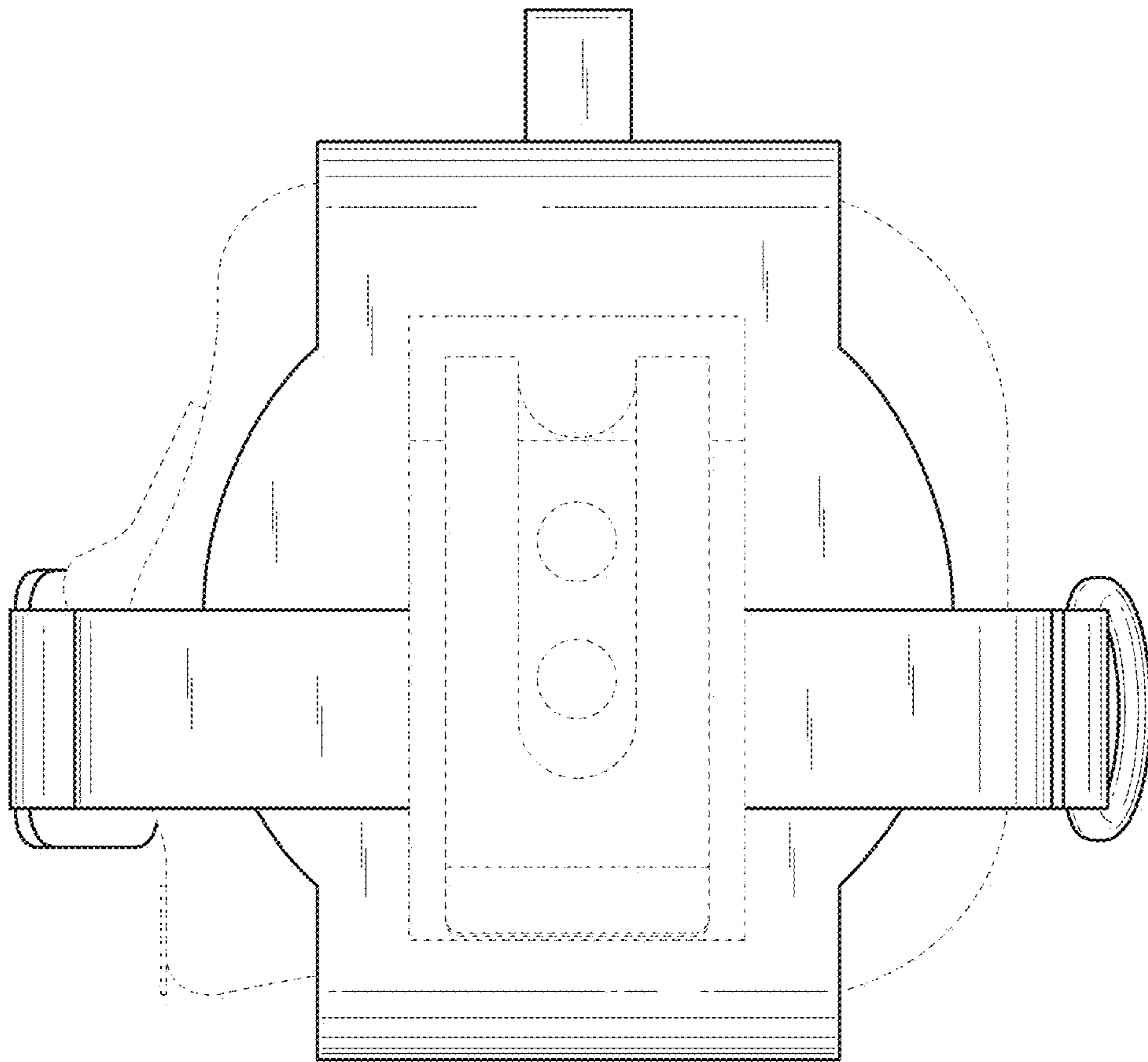


Fig. 3

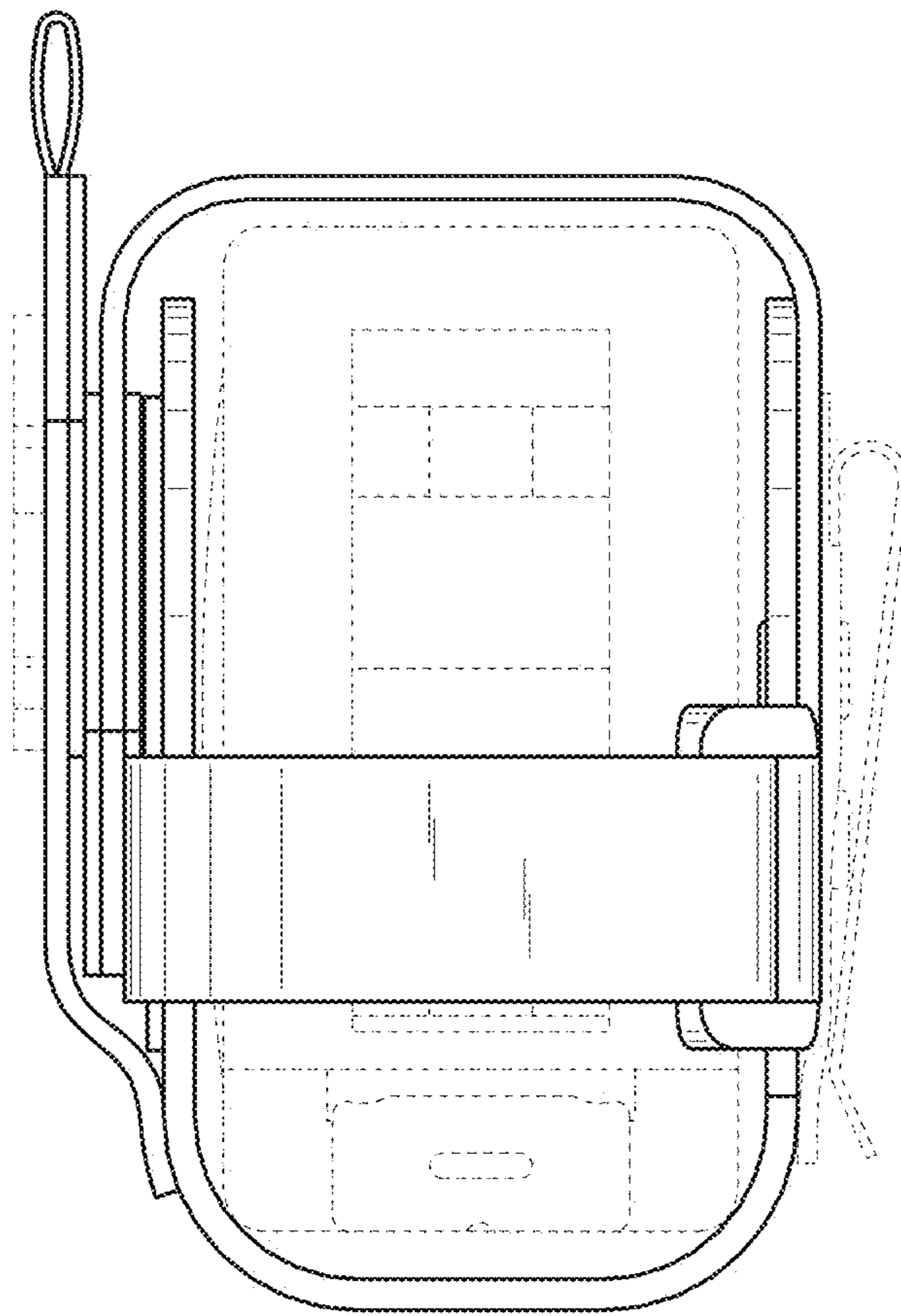


Fig. 4

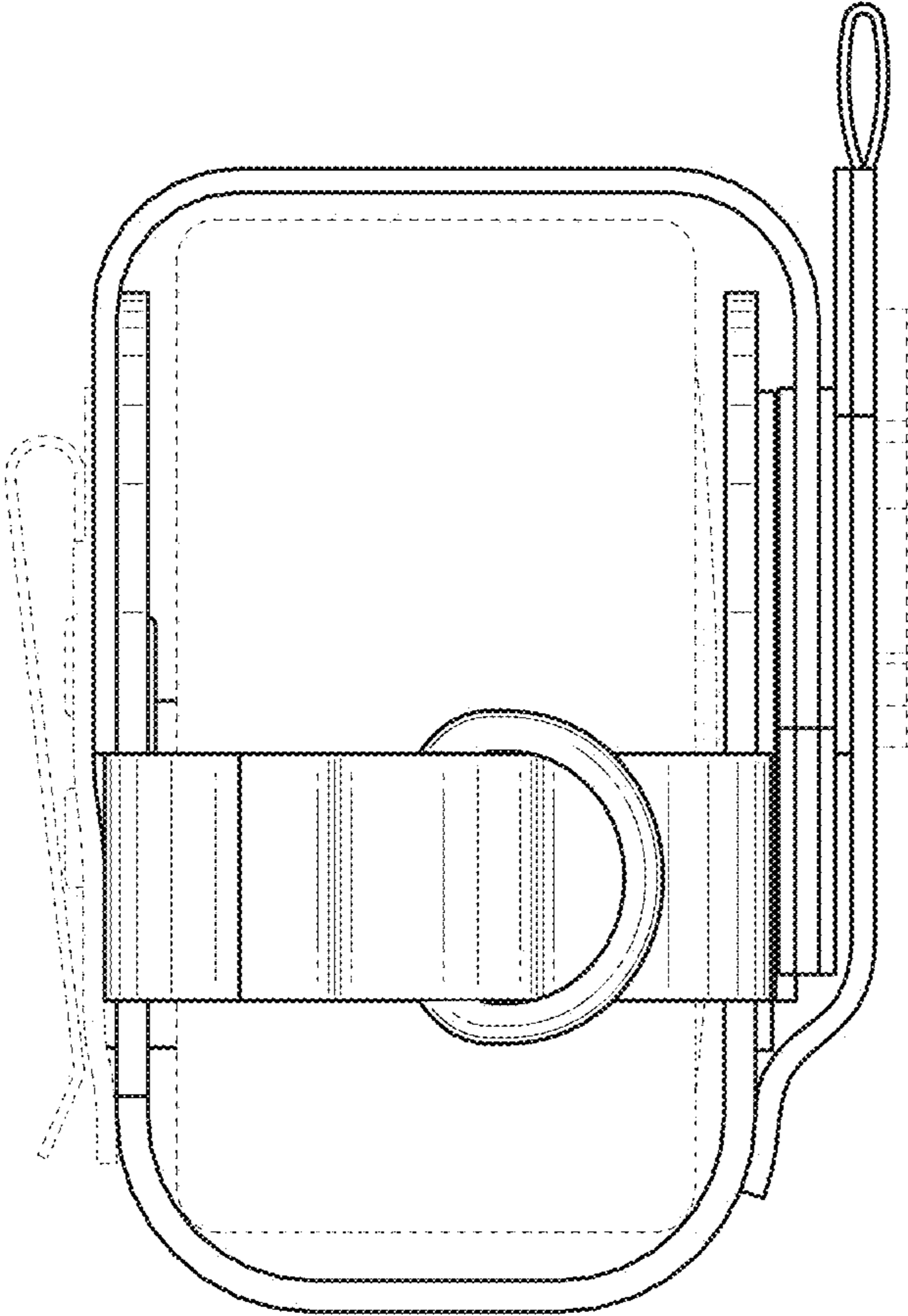


Fig. 5

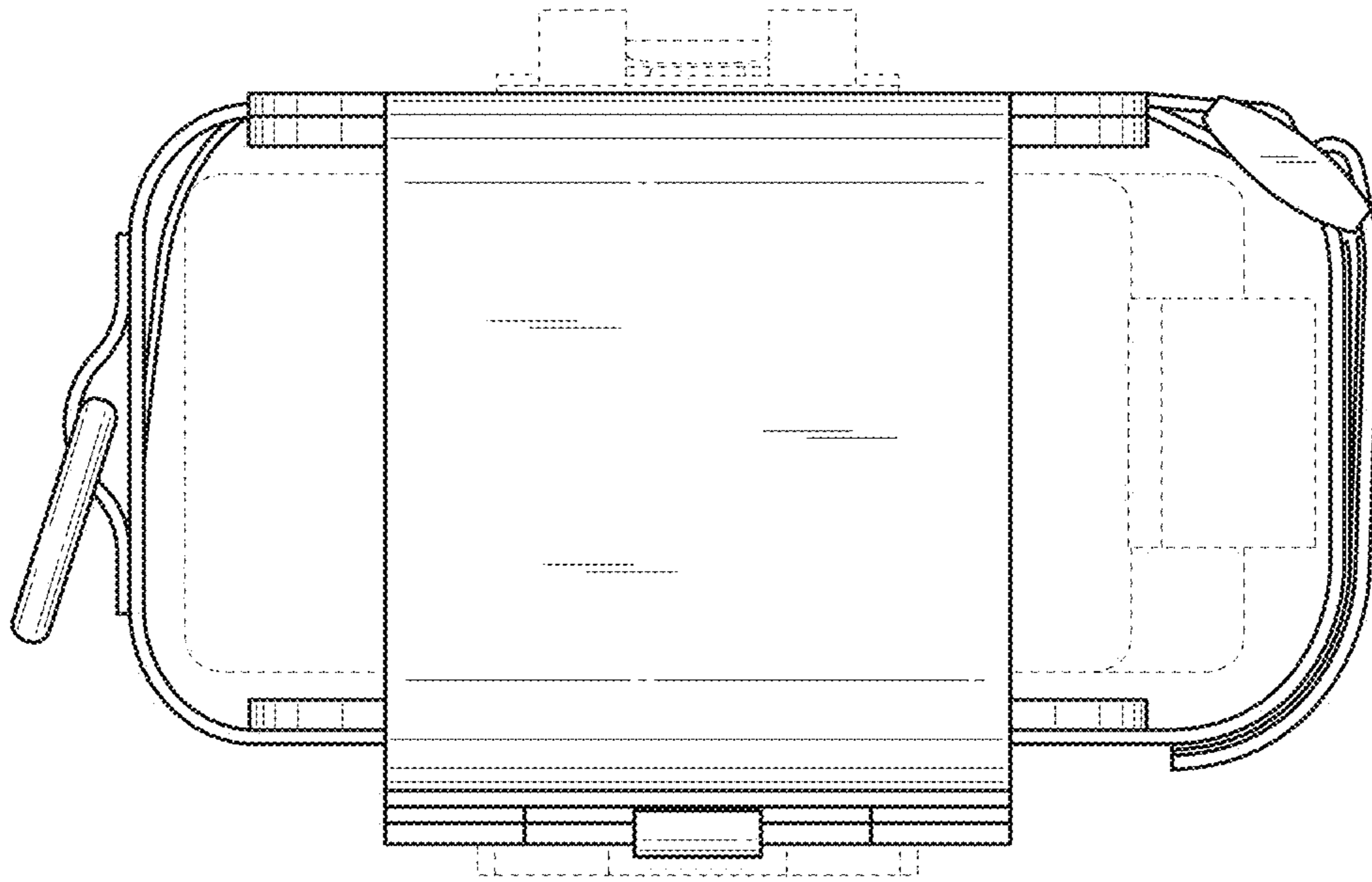


Fig. 6

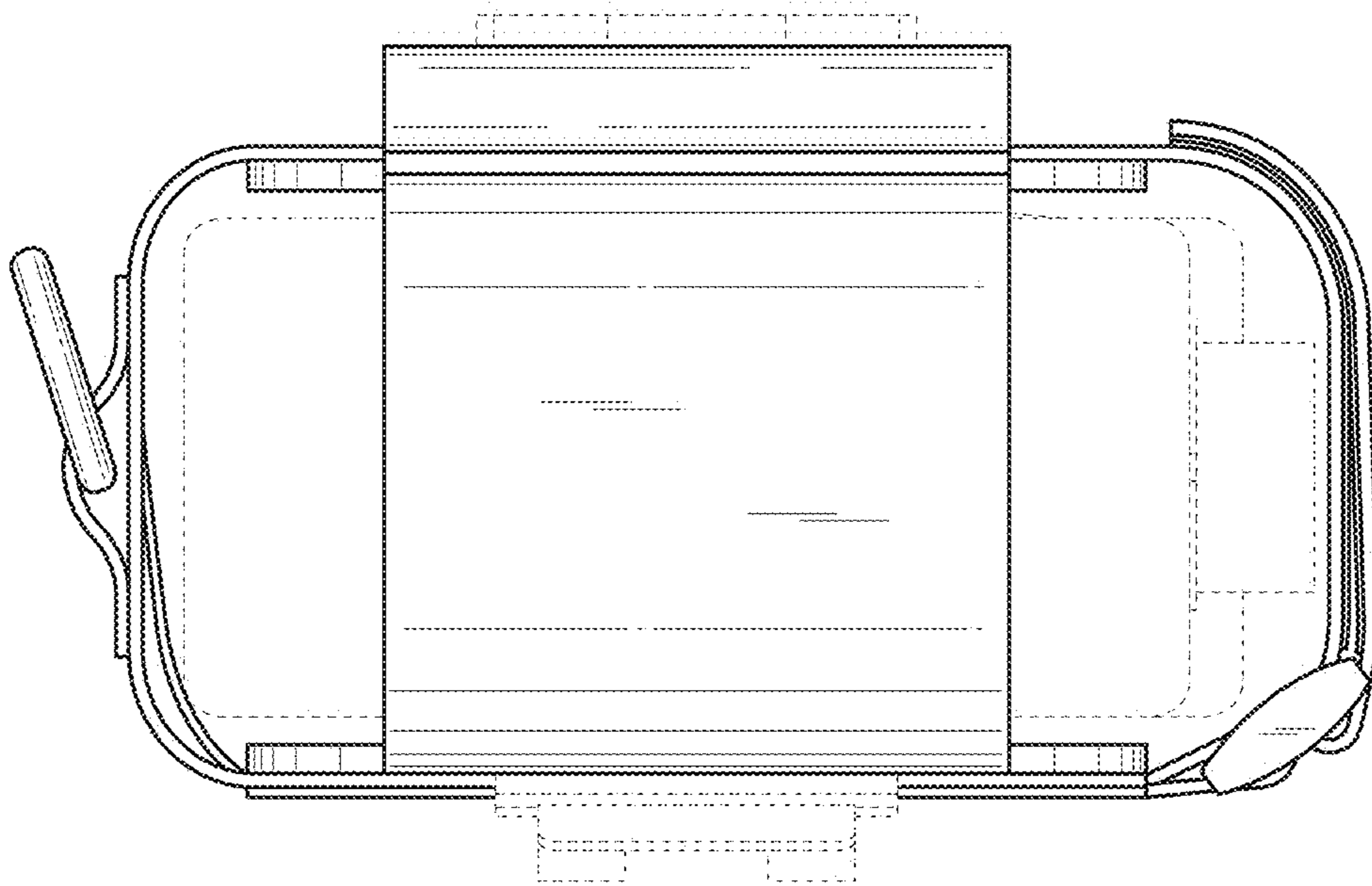


Fig. 7