



US00D758218S

(12) **United States Design Patent**
Bunch et al.

(10) **Patent No.:** **US D758,218 S**
(45) **Date of Patent:** **** Jun. 7, 2016**

(54) **TILE ALIGNMENT SPACER**

(71) Applicants: **Clinton D. Bunch**, Sunnyvale, CA (US);
Joshua A. Bunch, North Richland Hills,
TX (US)

(72) Inventors: **Clinton D. Bunch**, Sunnyvale, CA (US);
Joshua A. Bunch, North Richland Hills,
TX (US)

(**) Term: **14 Years**

(21) Appl. No.: **29/518,484**

(22) Filed: **Feb. 24, 2015**

(51) **LOC (10) Cl.** **10-04**

(52) **U.S. Cl.**

USPC **D10/64; D10/65**

(58) **Field of Classification Search**

USPC D10/64, 65

CPC E04F 21/0092; E04F 15/02027

See application file for complete search history.

(56) **References Cited**

U.S. PATENT DOCUMENTS

3,010,213	A *	11/1961	Rodtz, Sr.	E04F 21/0092 33/526
4,793,068	A *	12/1988	Golkar	G01B 3/30 33/518
5,288,534	A	2/1994	Tavshanjian		
D492,210	S	6/2004	Shilo et al.		
6,769,191	B1	8/2004	Zusman		
6,874,242	B2	4/2005	Shilo et al.		
7,536,802	B1	5/2009	Tavy et al.		

7,698,831 B2 4/2010 Higgs et al.
8,181,409 B1 * 5/2012 Jones E04F 21/0092
33/526

8,205,348 B2 6/2012 Baros et al.

* cited by examiner

Primary Examiner — Antoine D Davis

(74) *Attorney, Agent, or Firm* — Scott T. Griggs; Griggs
Bergen LLP

(57) **CLAIM**

The ornamental design for a tile alignment spacer, as shown
and described.

DESCRIPTION

FIG. 1 is a rear perspective view of a tile alignment spacer;
FIG. 2 is a front perspective view of the tile alignment spacer
shown in FIG. 1;

FIG. 3 is a front perspective, tilted toward the rear, view of the
tile alignment spacer shown in FIG. 1.

FIG. 4 is a bottom plan view of the tile alignment spacer
shown in FIG. 1;

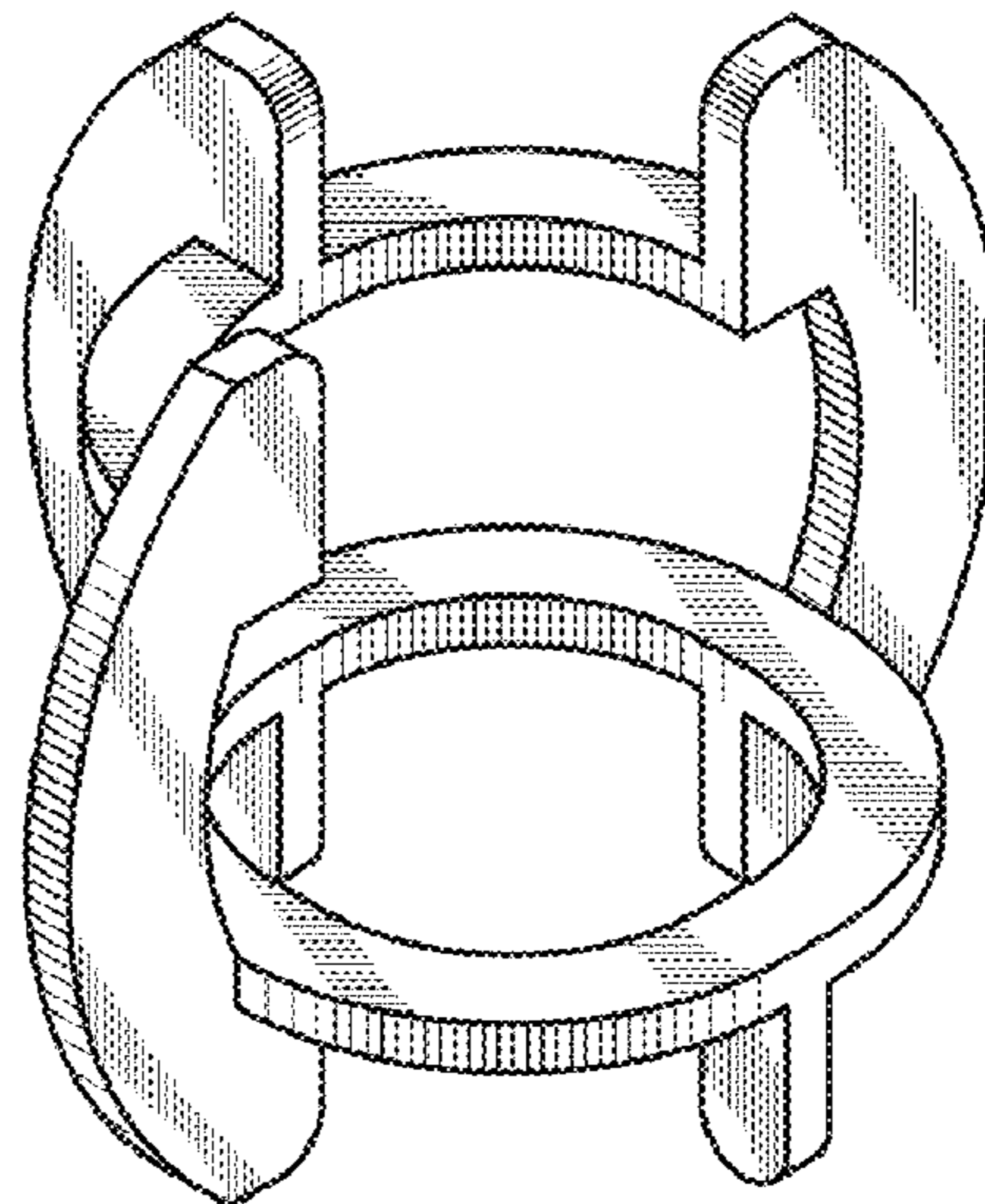
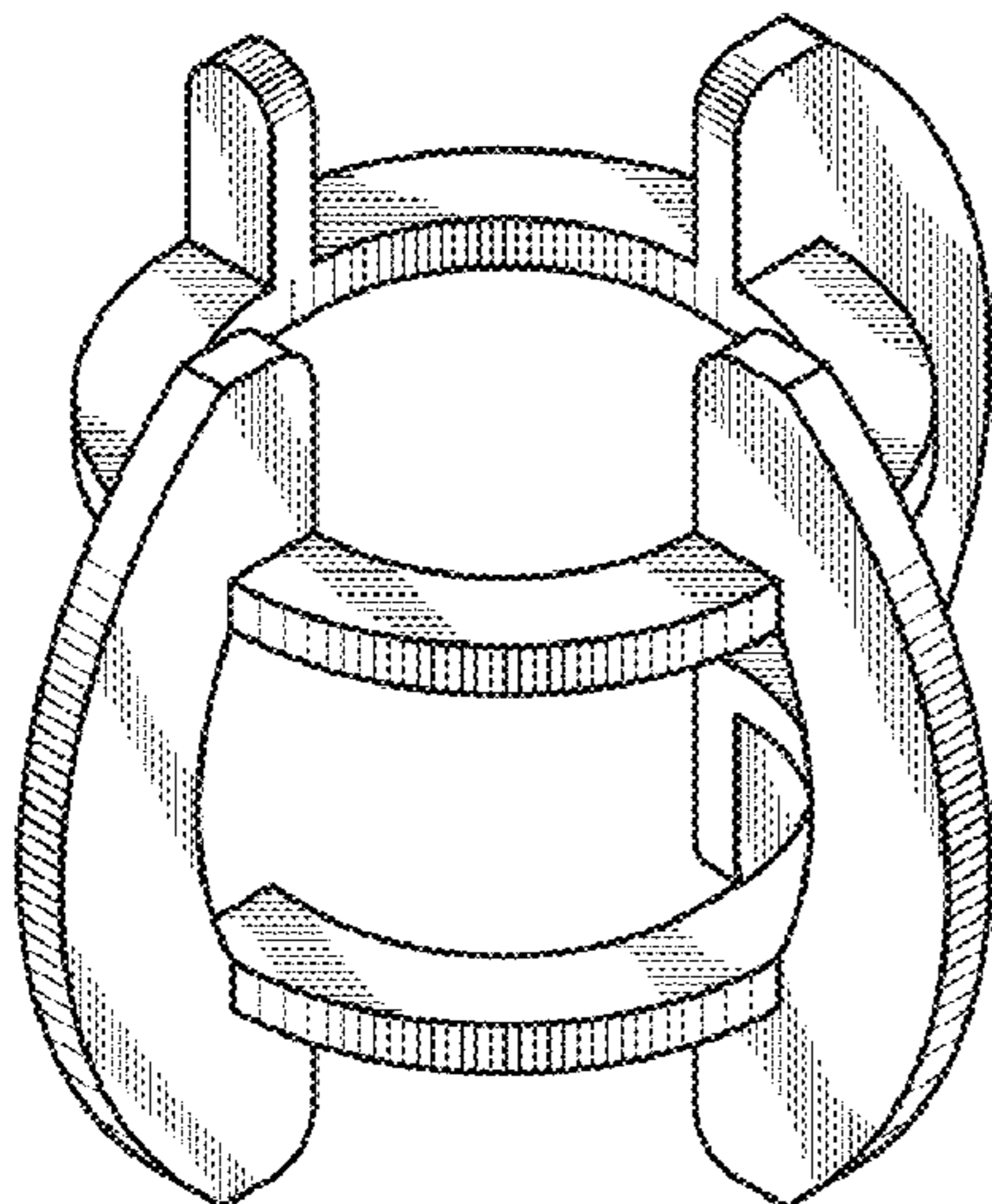
FIG. 5 is a top plan view of the tile alignment spacer as shown
in FIG. 1;

FIG. 6 is a front elevation view of the tile alignment spacer as
shown in FIG. 1;

FIG. 7 is a rear elevation view of the tile alignment spacer as
shown in FIG. 1; and,

FIG. 8 is a left side elevation view of the tile alignment spacer
shown in FIG. 1, which includes left-right symmetry.

1 Claim, 2 Drawing Sheets



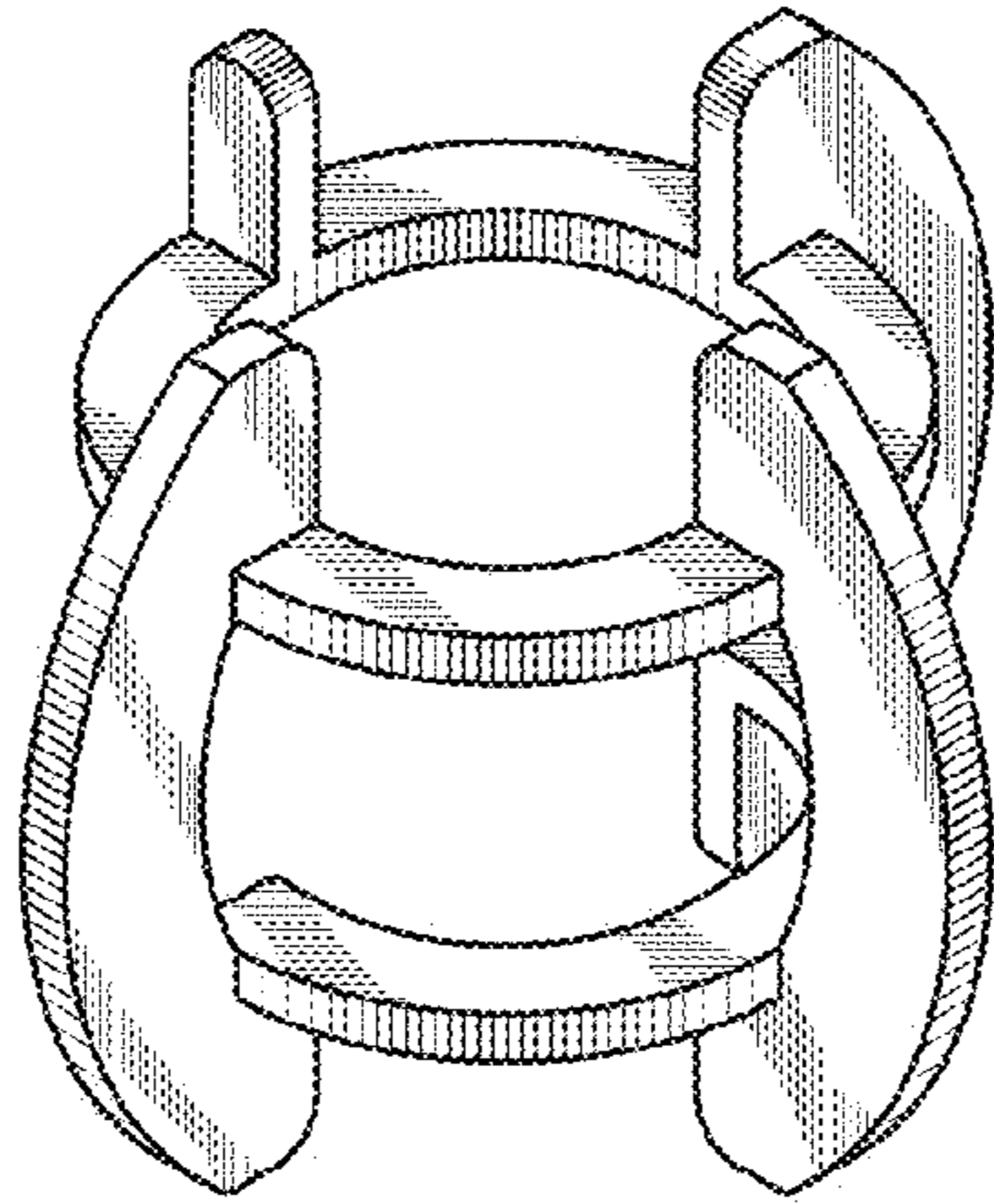


Fig.1

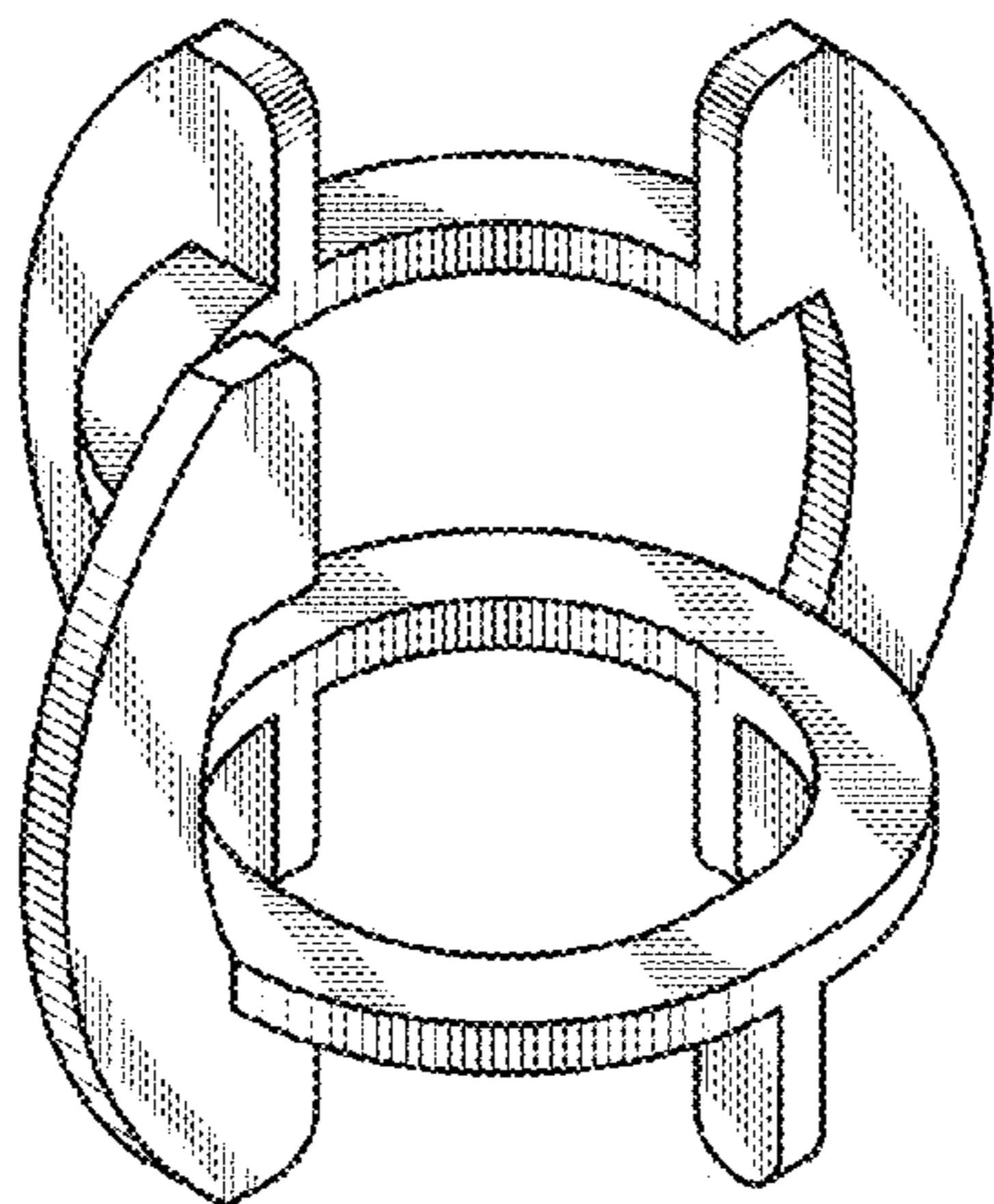


Fig.2

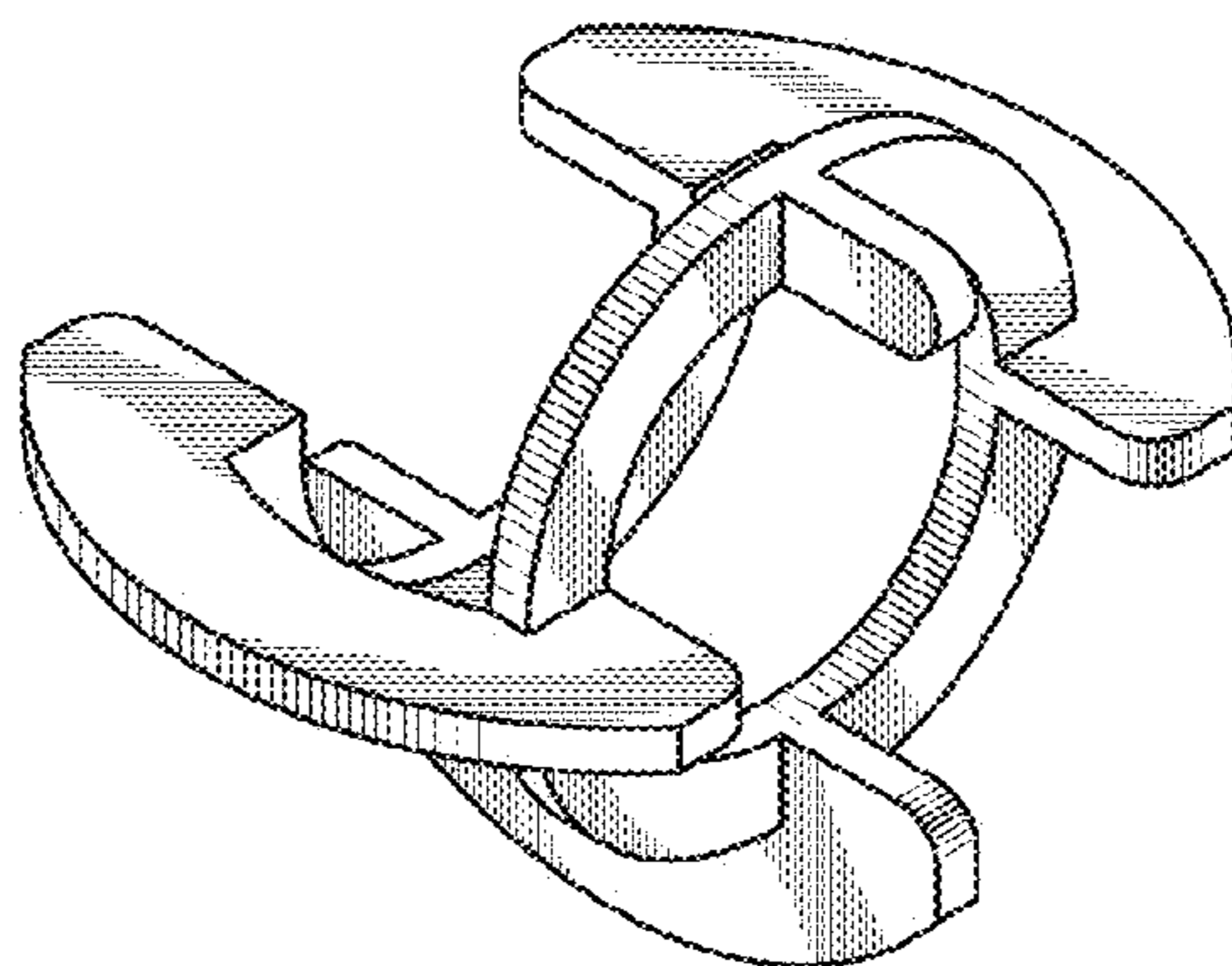


Fig.3

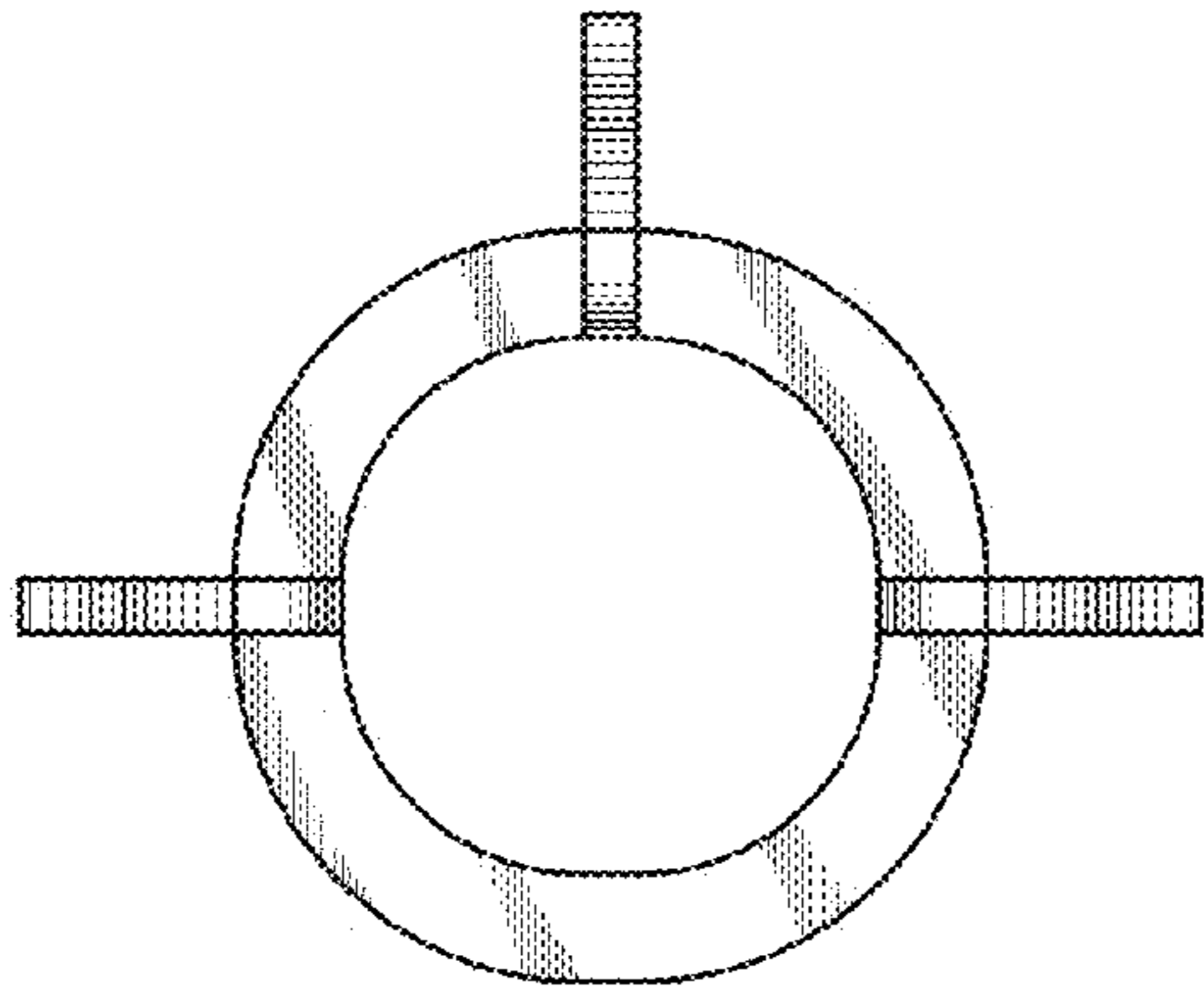


Fig.4

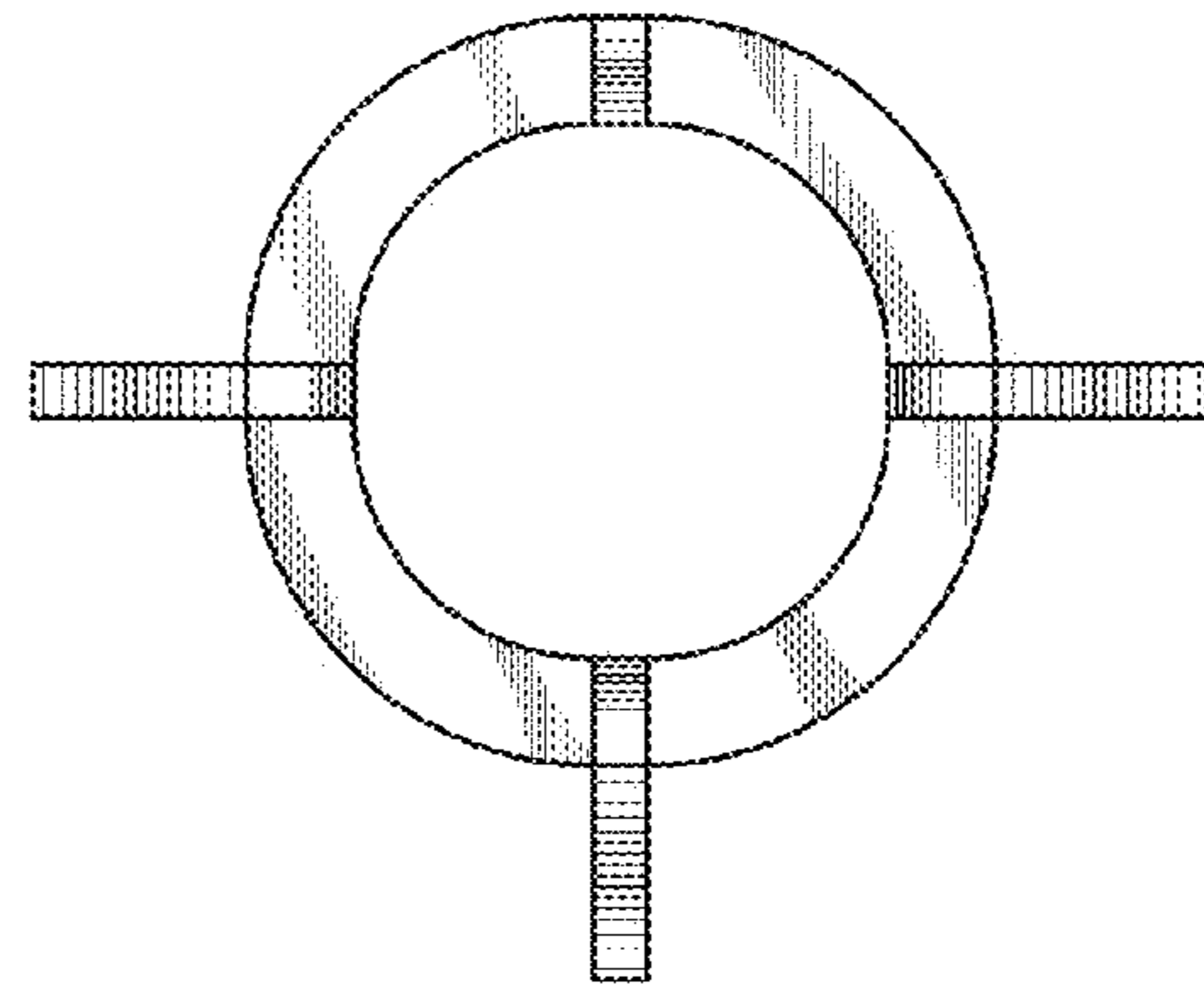


Fig.5

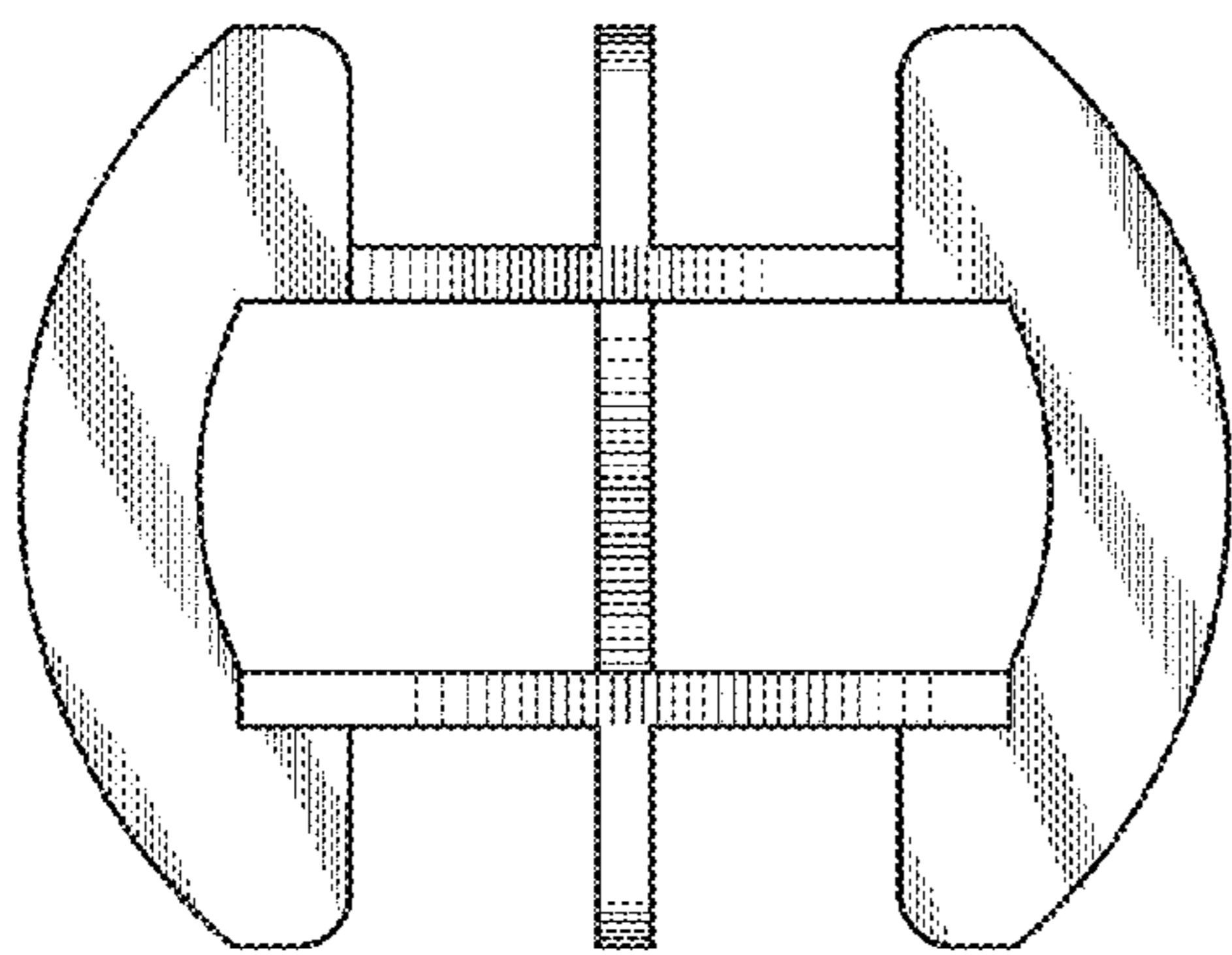


Fig.6

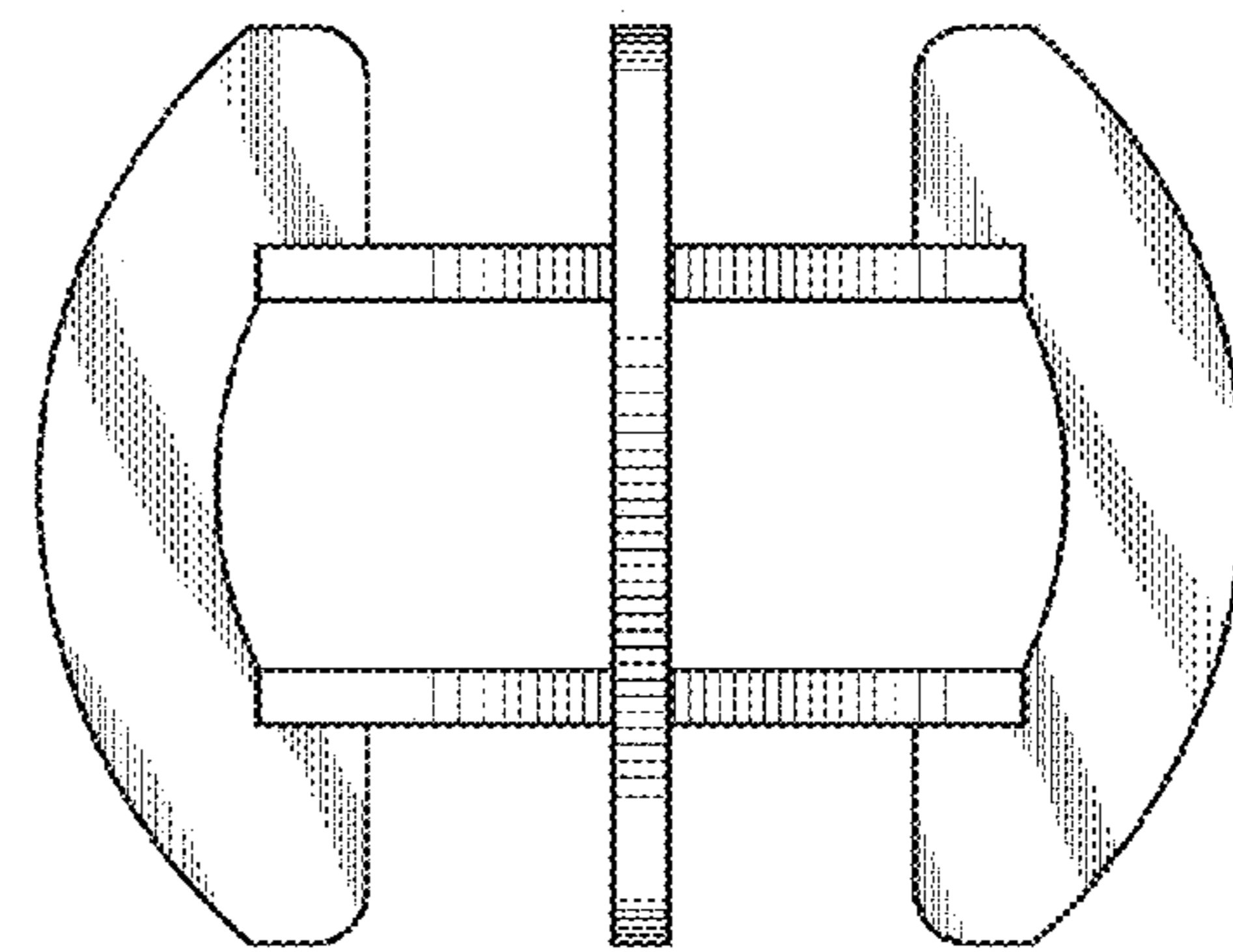


Fig.7

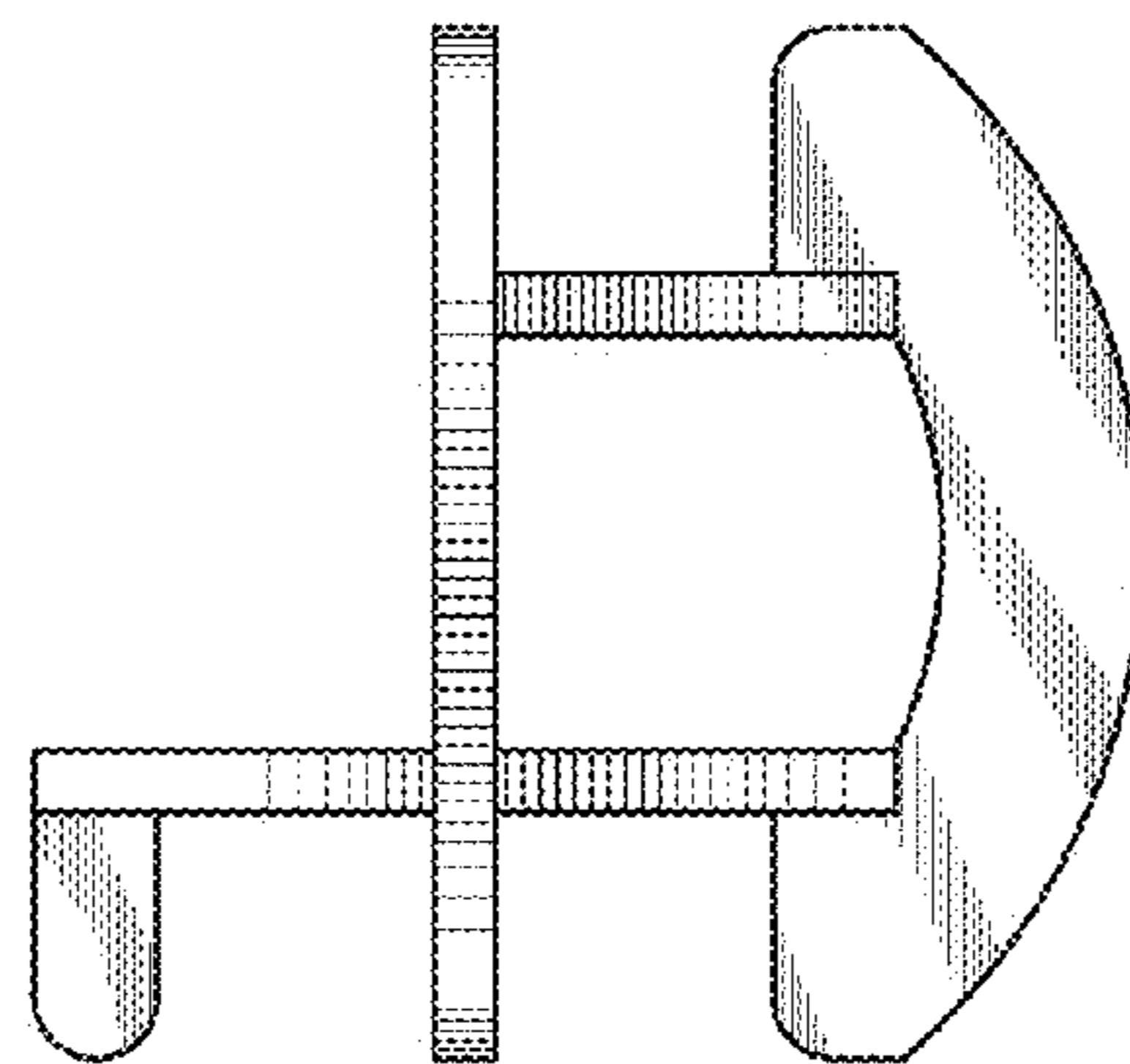


Fig.8

UNITED STATES PATENT AND TRADEMARK OFFICE
CERTIFICATE OF CORRECTION

PATENT NO. : D758,218 S
APPLICATION NO. : 29/518484
DATED : June 7, 2016
INVENTOR(S) : Bunch et al.

Page 1 of 1

It is certified that error appears in the above-identified patent and that said Letters Patent is hereby corrected as shown below:

TITLE PAGE

Item (71) Applicants:

“Sunnyvale, CA” should read --Sunnyvale, TX--

Item (72) Inventors:

“Sunnyvale, CA” should read --Sunnyvale, TX--

Signed and Sealed this
Sixth Day of September, 2016



Michelle K. Lee
Director of the United States Patent and Trademark Office