



US00D758217S

(12) **United States Design Patent**  
**Kumfer et al.**

(10) **Patent No.:** **US D758,217 S**  
(45) **Date of Patent:** **\*\* Jun. 7, 2016**

- (54) **THERMOSTAT**
- (71) Applicant: **Carrier Corporation**, Farmington, CT (US)
- (72) Inventors: **Brent Kumfer**, Carmel, IN (US);  
**Catherine F. Sheppick**, Mooresville, IN (US)
- (73) Assignee: **Carrier Corporation**, Farmington, CT (US)
- (\*\*) Term: **14 Years**
- (21) Appl. No.: **29/512,136**
- (22) Filed: **Dec. 17, 2014**
- (51) **LOC (10) Cl.** ..... **10-04**
- (52) **U.S. Cl.**  
USPC ..... **D10/50**
- (58) **Field of Classification Search**  
USPC ..... D10/49-50  
CPC ..... F23N 5/20; F23N 5/203; F23N 5/206;  
F23N 5/18; F23N 5/184; F23N 5/187; F23N  
5/22; F23N 2025/12; F23N 2041/02; F24F  
11/00; F24F 11/0012; F24F 11/0009; F24F  
11/001; F24F 2011/0057; F24F 2011/0073;  
F24F 2011/0091  
See application file for complete search history.

8,937,689	B2 *	1/2015	Prest	.....	C03C 19/00 345/173
8,982,544	B2 *	3/2015	Liang	.....	G06F 1/1626 361/679.21
D733,591	S *	7/2015	Golden	.....	D10/50
D738,755	S *	9/2015	Druce	.....	D10/50
9,128,684	B2 *	9/2015	Chambers	.....	G06F 1/1628
9,154,604	B2 *	10/2015	Gray	.....	H04W 76/023
2011/0075065	A1 *	3/2011	Ozolins	.....	G02F 1/1333 349/58
2015/0042519	A1 *	2/2015	Cheng	.....	H01Q 1/243 343/702

\* cited by examiner

*Primary Examiner* — Antoine D Davis

(74) *Attorney, Agent, or Firm* — Ice Miller LLP

(57) **CLAIM**

The ornamental design for a thermostat, substantially as shown and described.

**DESCRIPTION**

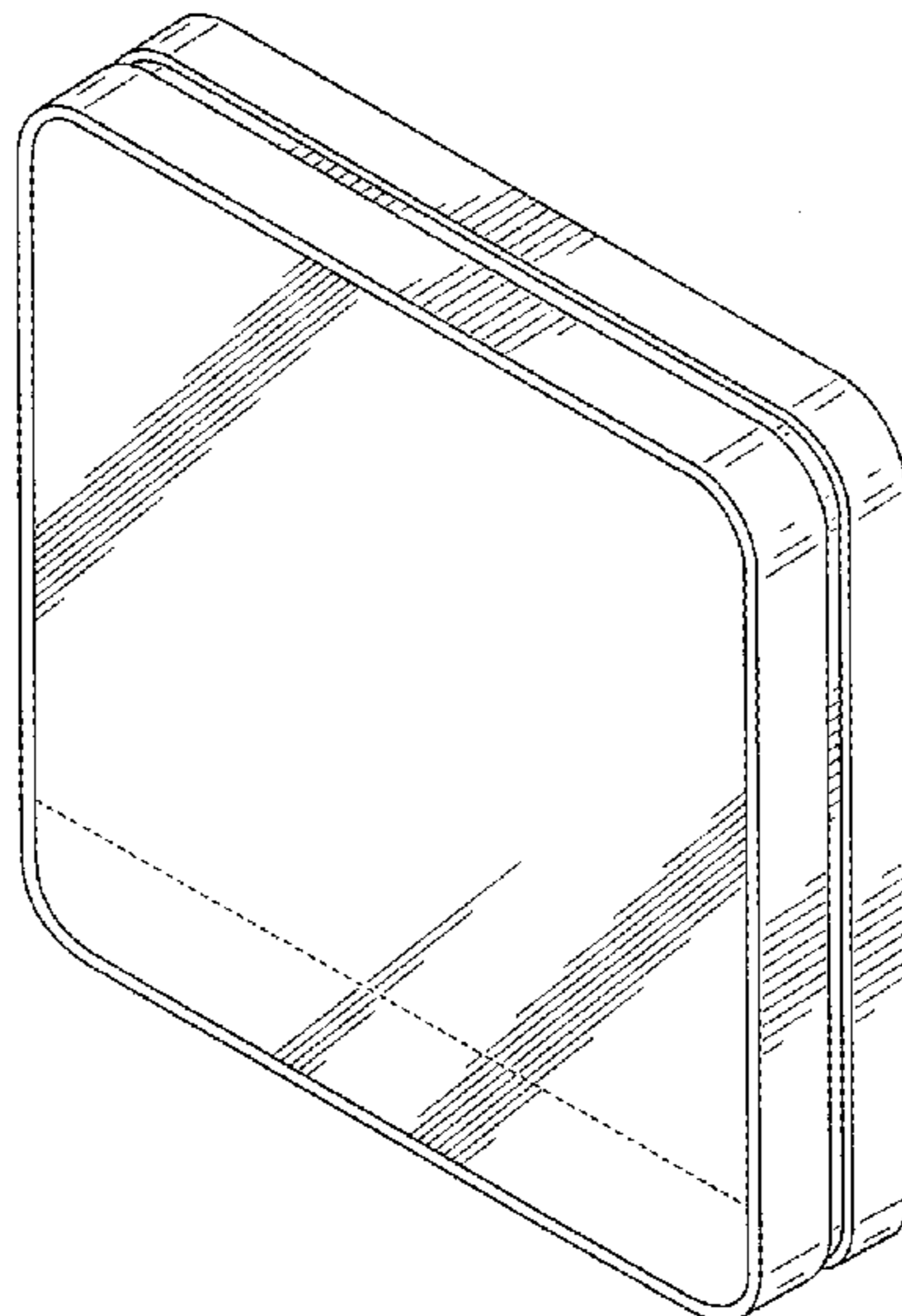
FIG. 1 is a front perspective view of a thermostat in accordance with the present invention;  
 FIG. 2 is a front view thereof;  
 FIG. 3 is a front view of another embodiment of a thermostat in accordance with the present invention;  
 FIG. 4 is a front view of another embodiment of a thermostat in accordance with the present invention;  
 FIG. 5 is a front view of another embodiment of a thermostat in accordance with the present invention;  
 FIG. 6 is a rear view thereof;  
 FIG. 7 is a left side view thereof;  
 FIG. 8 is a right side view thereof;  
 FIG. 9 is a top view thereof; and,  
 FIG. 10 is a bottom view thereof.

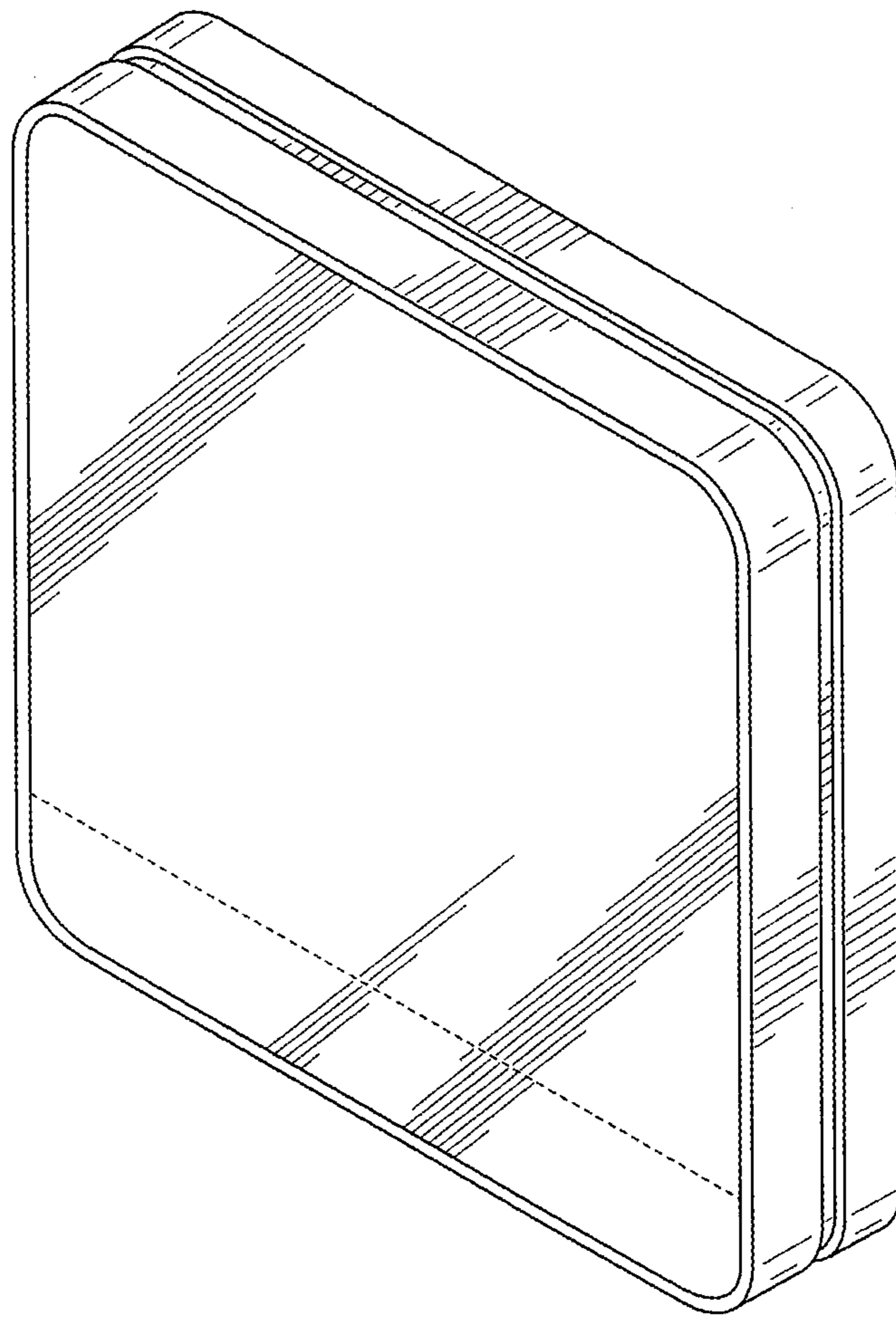
**1 Claim, 8 Drawing Sheets**

(56) **References Cited**

**U.S. PATENT DOCUMENTS**

8,498,103	B2 *	7/2013	Graneto, III	.....	G06F 1/1656 206/320
8,712,233	B2 *	4/2014	Gibbs	.....	H01Q 9/42 343/702
8,924,887	B2 *	12/2014	Pontier	.....	G06F 1/1694





**FIG. 1**

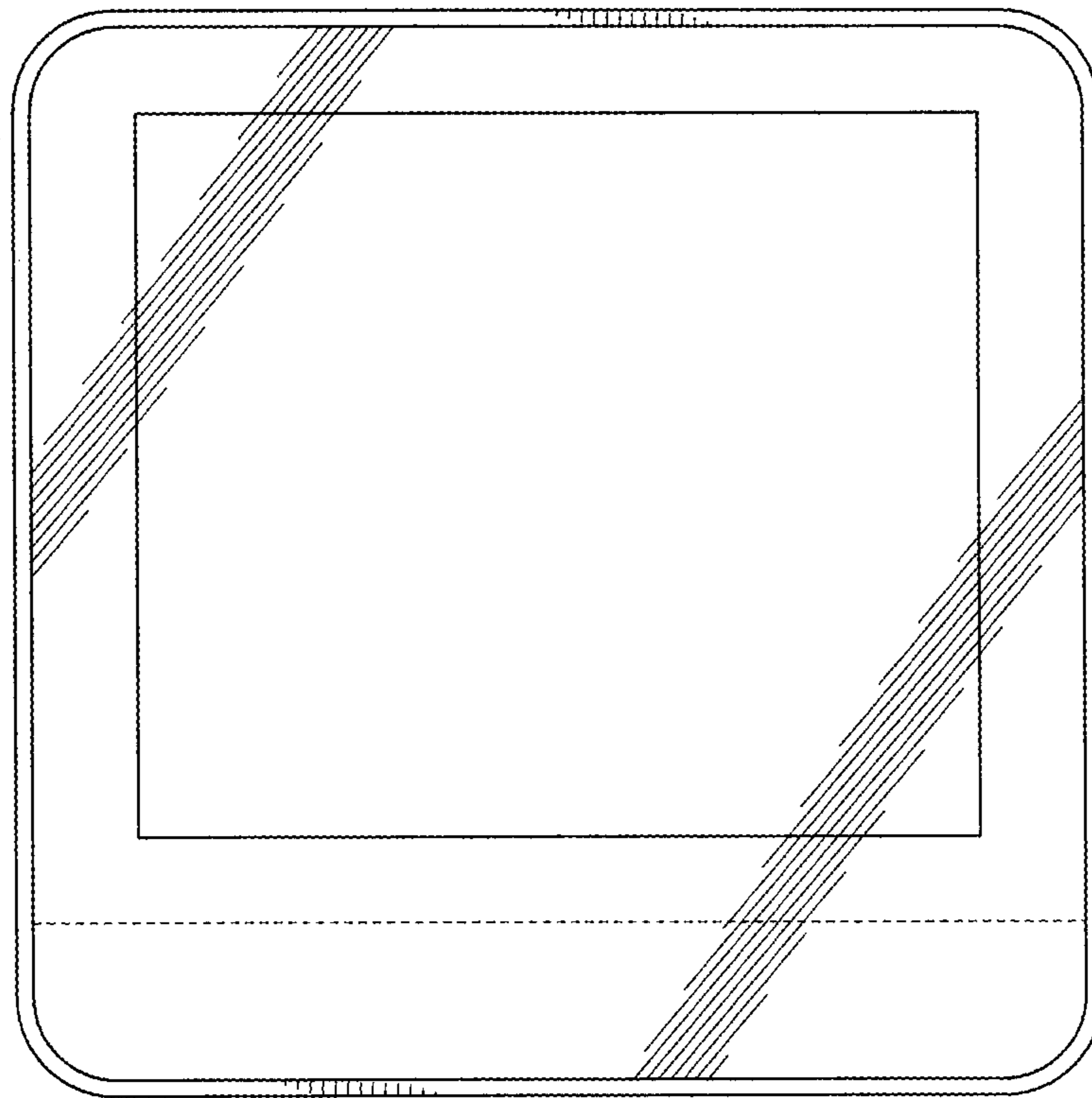
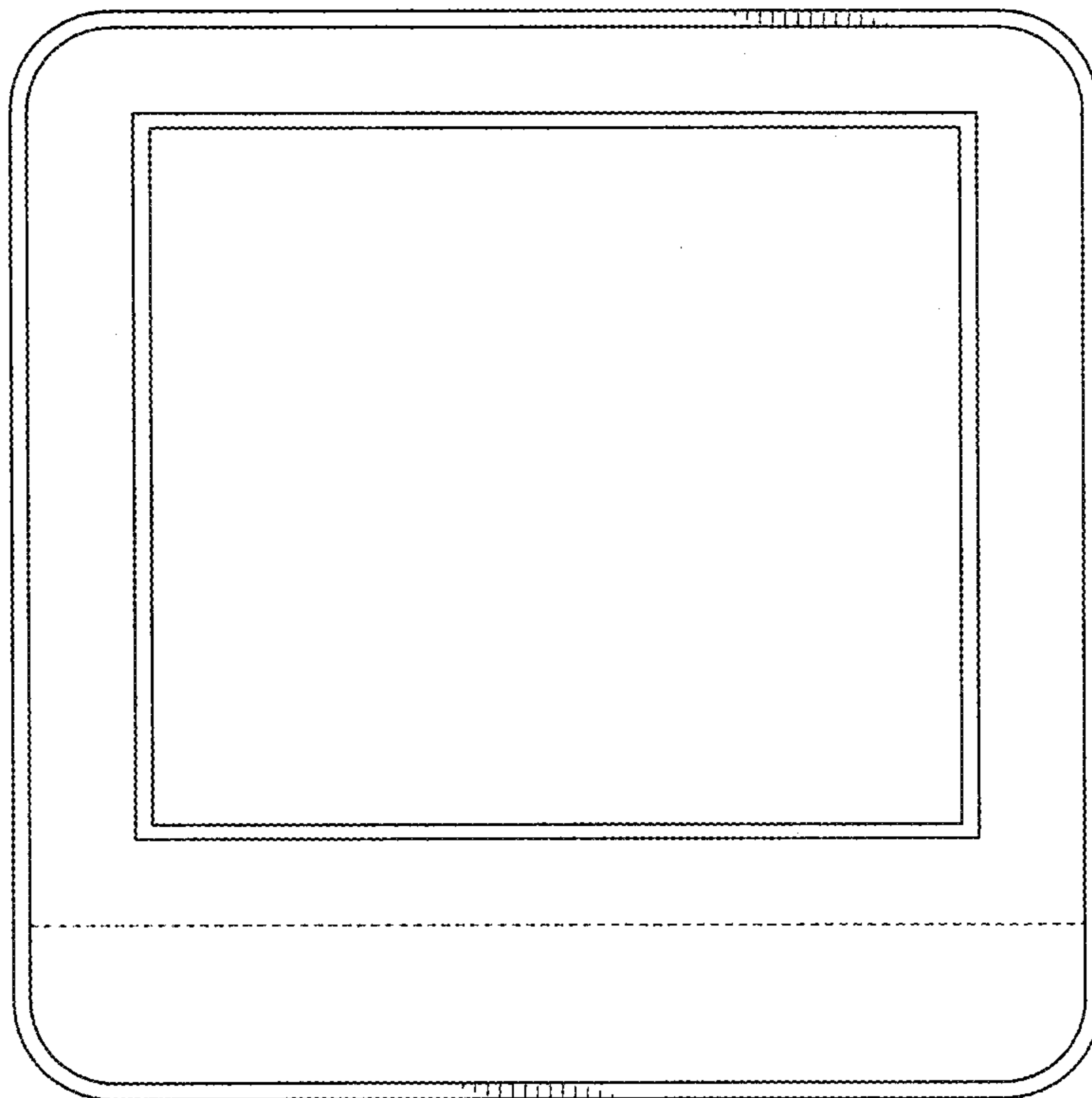


FIG. 2



**FIG. 3**

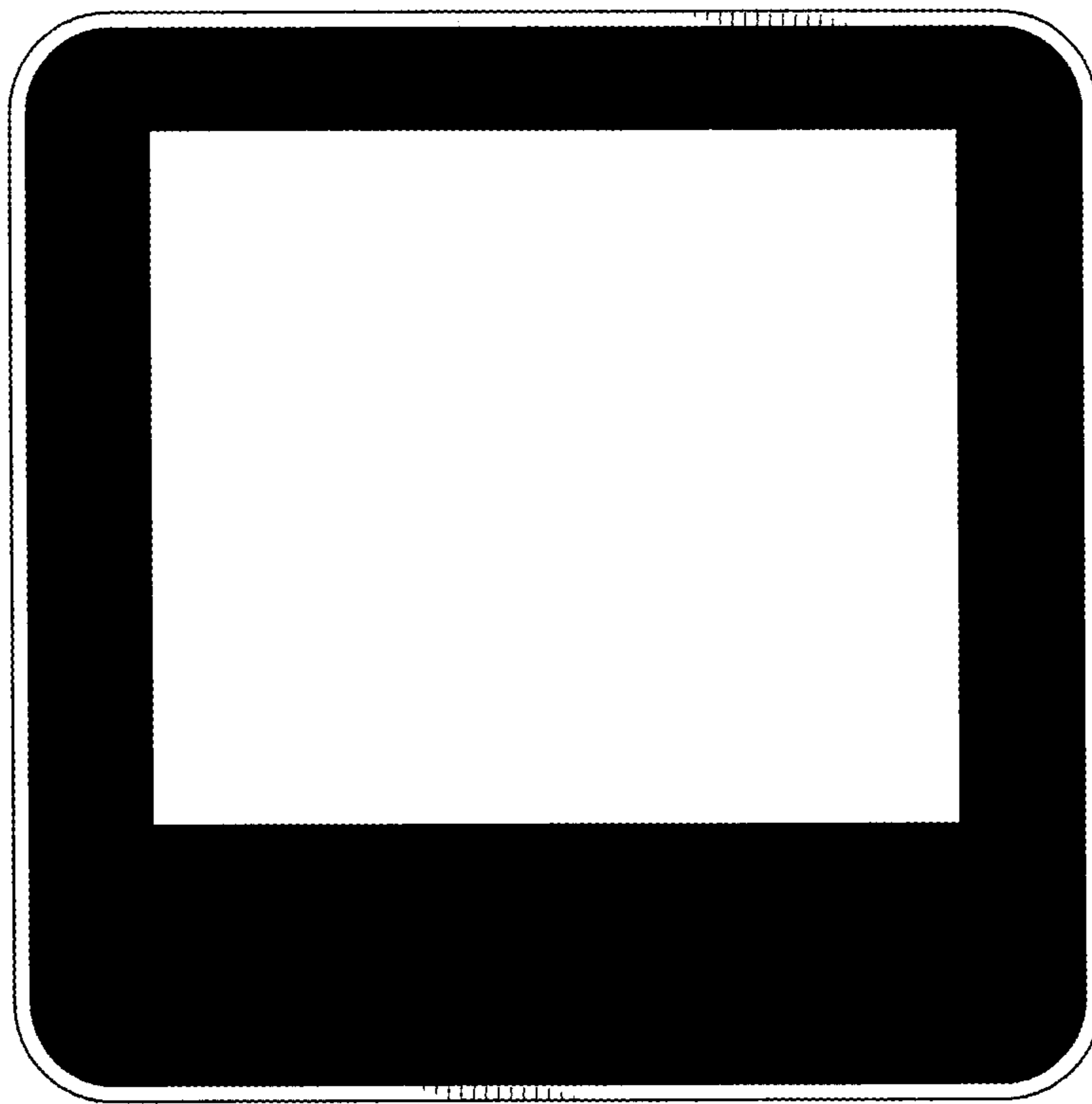
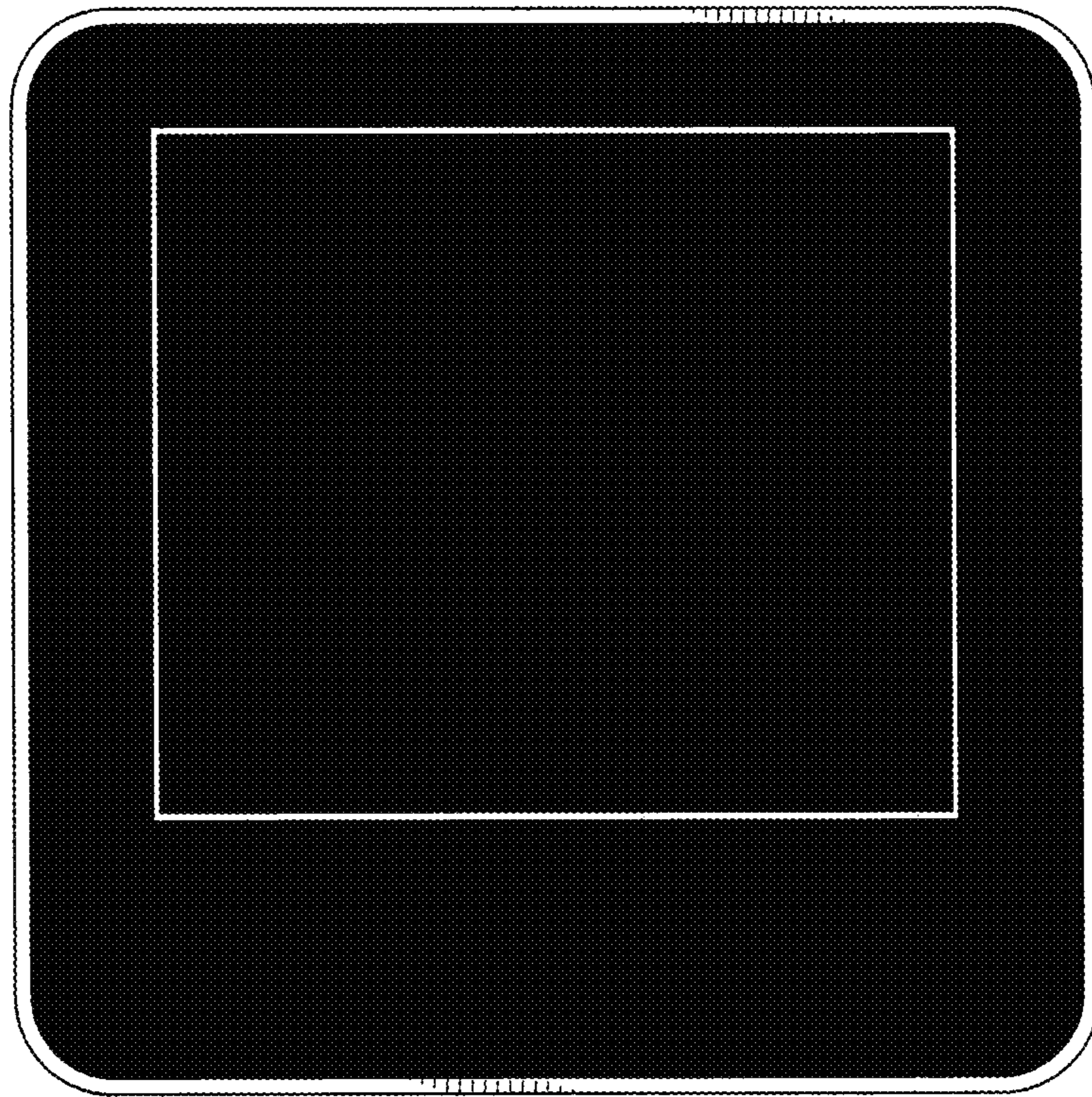


FIG. 4



*FIG. 5*

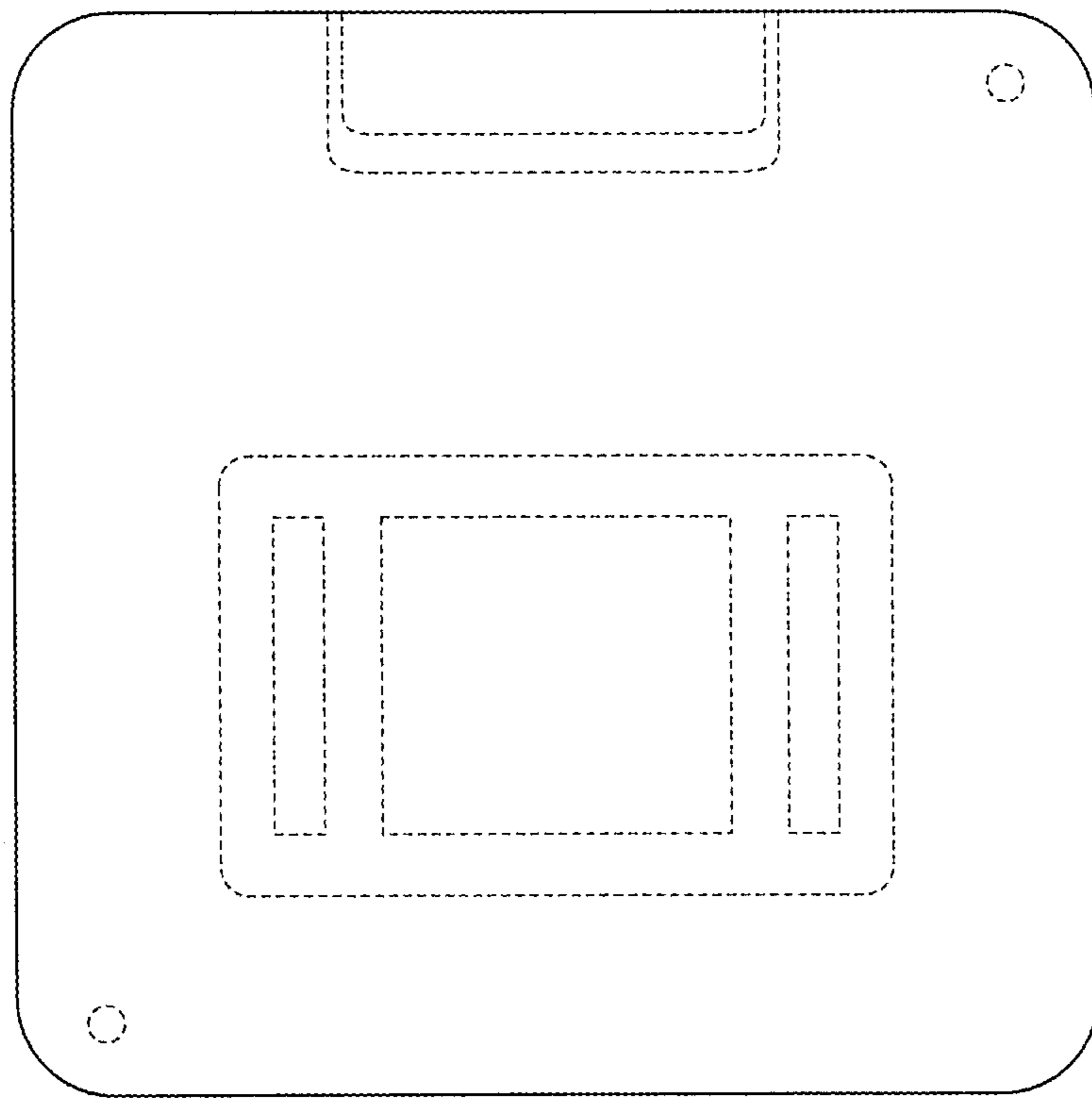
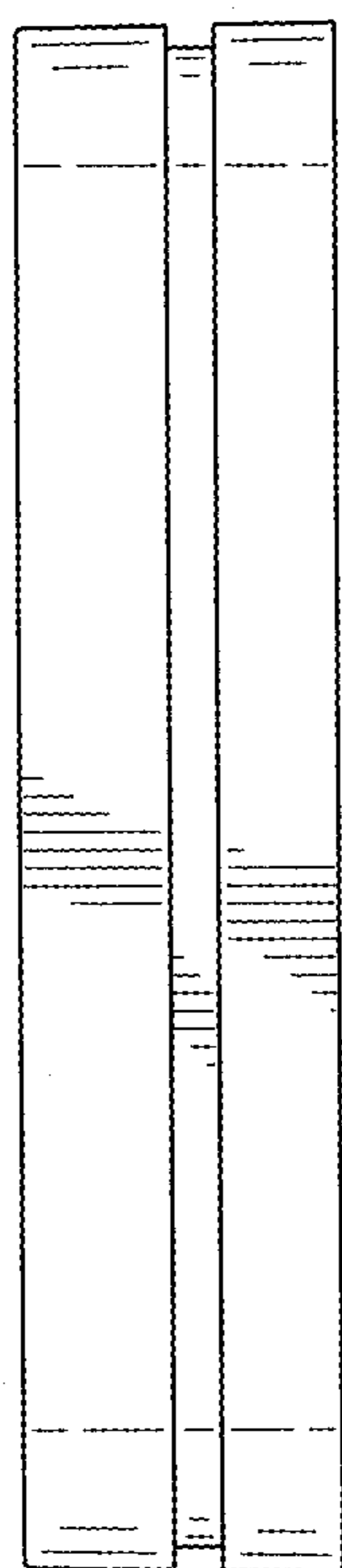
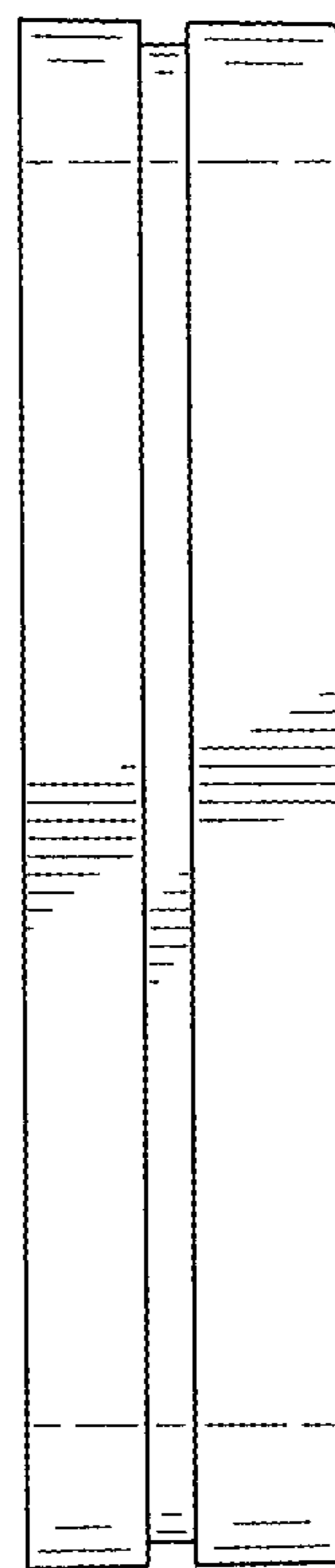


FIG. 6

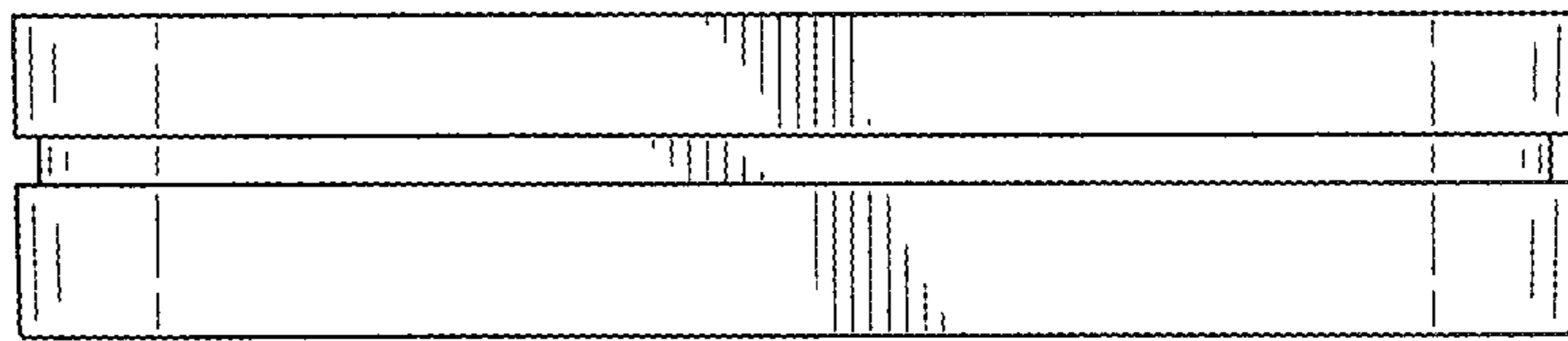


**FIG. 7**

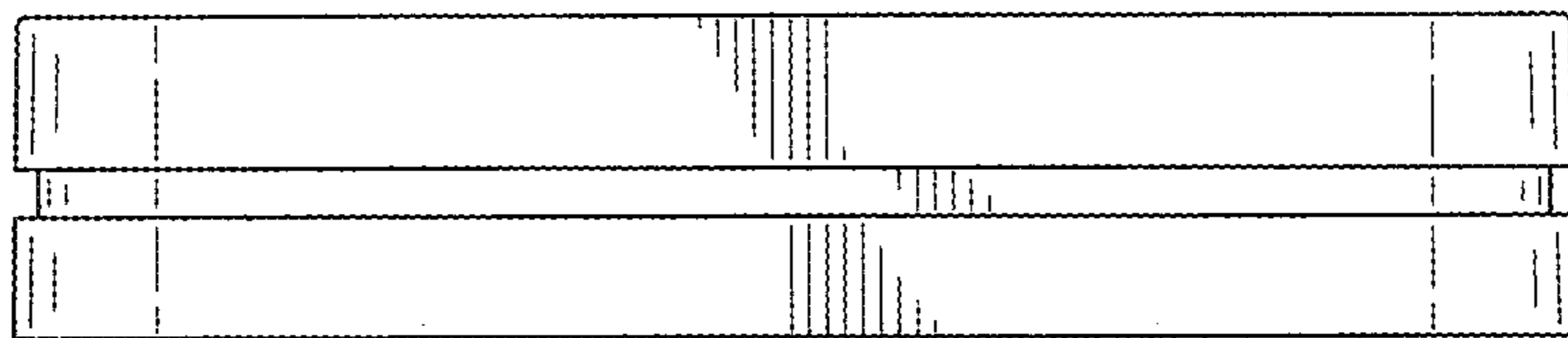


**FIG. 8**





**FIG. 9**



**FIG. 10**