



US00D758215S

(12) **United States Design Patent**  
**Yamazaki**

(10) **Patent No.:** **US D758,215 S**  
(45) **Date of Patent:** **\*\* Jun. 7, 2016**

- (54) **MEASURING CUP**
- (71) Applicant: **YAMAZAKI CO., LTD.**, Yao-shi (JP)
- (72) Inventor: **Shigeru Yamazaki**, Nara (JP)
- (73) Assignee: **YAMAZAKI CO., LTD.**, Yao-shi (JP)
- (\*\*) Term: **14 Years**
- (21) Appl. No.: **29/510,004**
- (22) Filed: **Nov. 24, 2014**
- (51) **LOC (10) Cl.** ..... **10-04**
- (52) **U.S. Cl.**  
USPC ..... **D10/46.2**
- (58) **Field of Classification Search**  
USPC ..... D10/46.2, 46.3, 46, 52, 60, 66, 101,  
D10/103; D7/589, 300, 302, 303, 312, 316,  
D7/317, 387, 397, 510, 665; D9/440, 447,  
D9/452-454; D24/197, 224  
CPC ..... G01F 19/002; G01F 19/00; B65D 21/00;  
A47G 19/00; A61J 7/00  
See application file for complete search history.

- D461,420 S \* 8/2002 Kerman ..... D10/46.2
- D533,471 S \* 12/2006 Jordan ..... D10/46.2
- D562,159 S \* 2/2008 Griffith ..... D10/46.2
- D640,938 S \* 7/2011 Antons ..... D10/46.3
- D648,190 S \* 11/2011 Steiner ..... D10/46.2
- D652,745 S \* 1/2012 Lee ..... D10/46.2
- D662,794 S \* 7/2012 Enghard ..... D7/700
- D688,924 S \* 9/2013 Enghard ..... D7/700
- D739,782 S \* 9/2015 Pettigrew ..... D11/152

\* cited by examiner

*Primary Examiner* — George D Kirschbaum  
*Assistant Examiner* — Clese Moore, Jr.  
(74) *Attorney, Agent, or Firm* — Kratz, Quintos & Hanson, LLP

(57) **CLAIM**  
The ornamental design for a measuring cup, as shown and described.

**DESCRIPTION**

FIG. 1 is a perspective view of the measuring cup according to the claimed design;  
FIG. 2 is a front view thereof;  
FIG. 3 is a back view thereof;  
FIG. 4 is a right side view thereof;  
FIG. 5 is a left side view thereof;  
FIG. 6 is a plan view thereof;  
FIG. 7 is a bottom view thereof; and,  
FIG. 8 is a cross-sectional view taken along line 8-8 of FIG. 6.

**1 Claim, 8 Drawing Sheets**

- (56) **References Cited**  
U.S. PATENT DOCUMENTS  
3,490,290 A \* 1/1970 Bilson ..... G01F 19/00  
141/345  
4,082,184 A \* 4/1978 Hammer ..... B65D 21/0233  
206/519  
D412,448 S \* 8/1999 Bentson ..... D10/46.2  
D442,019 S \* 5/2001 Wyche ..... D7/354

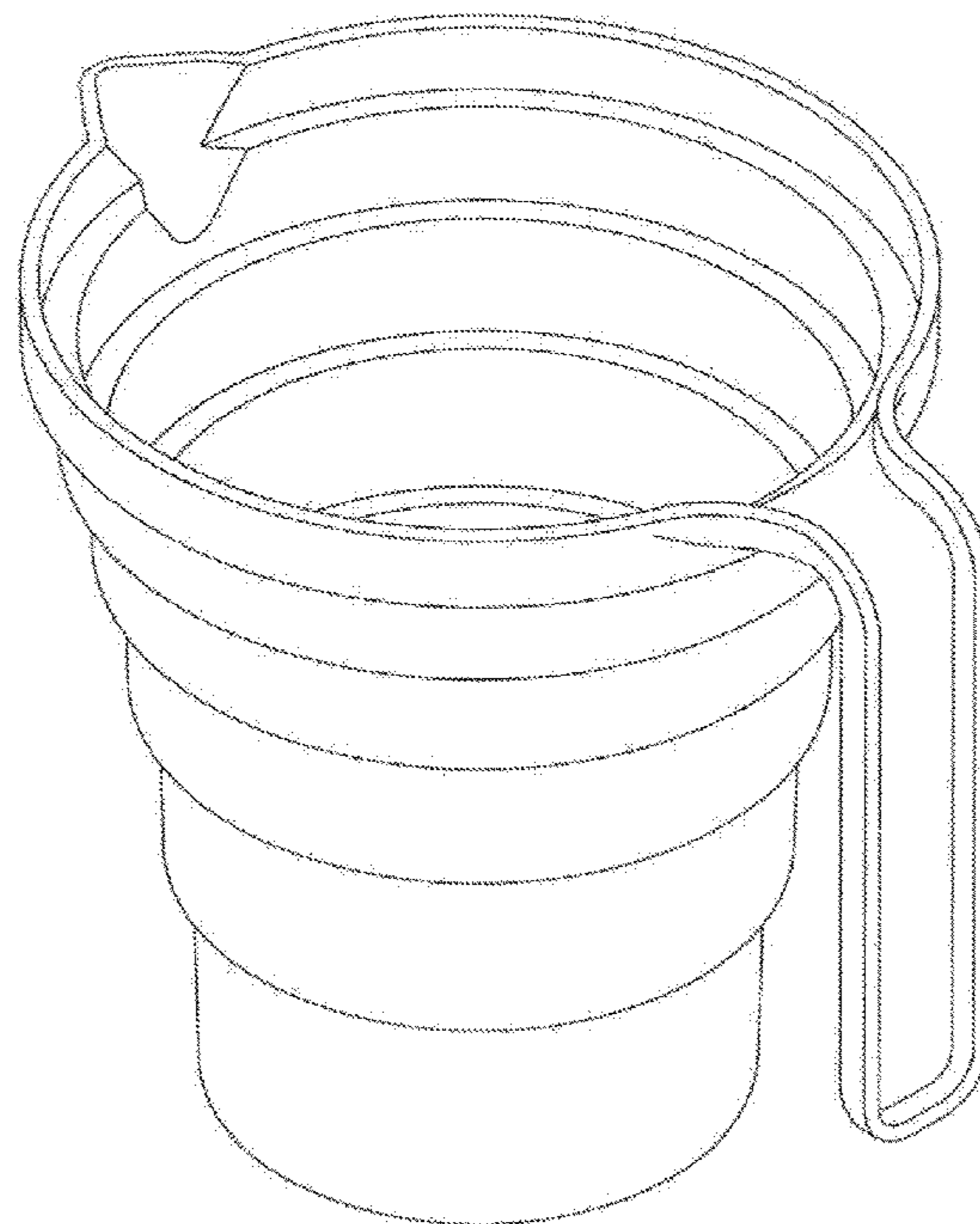


FIG. 1

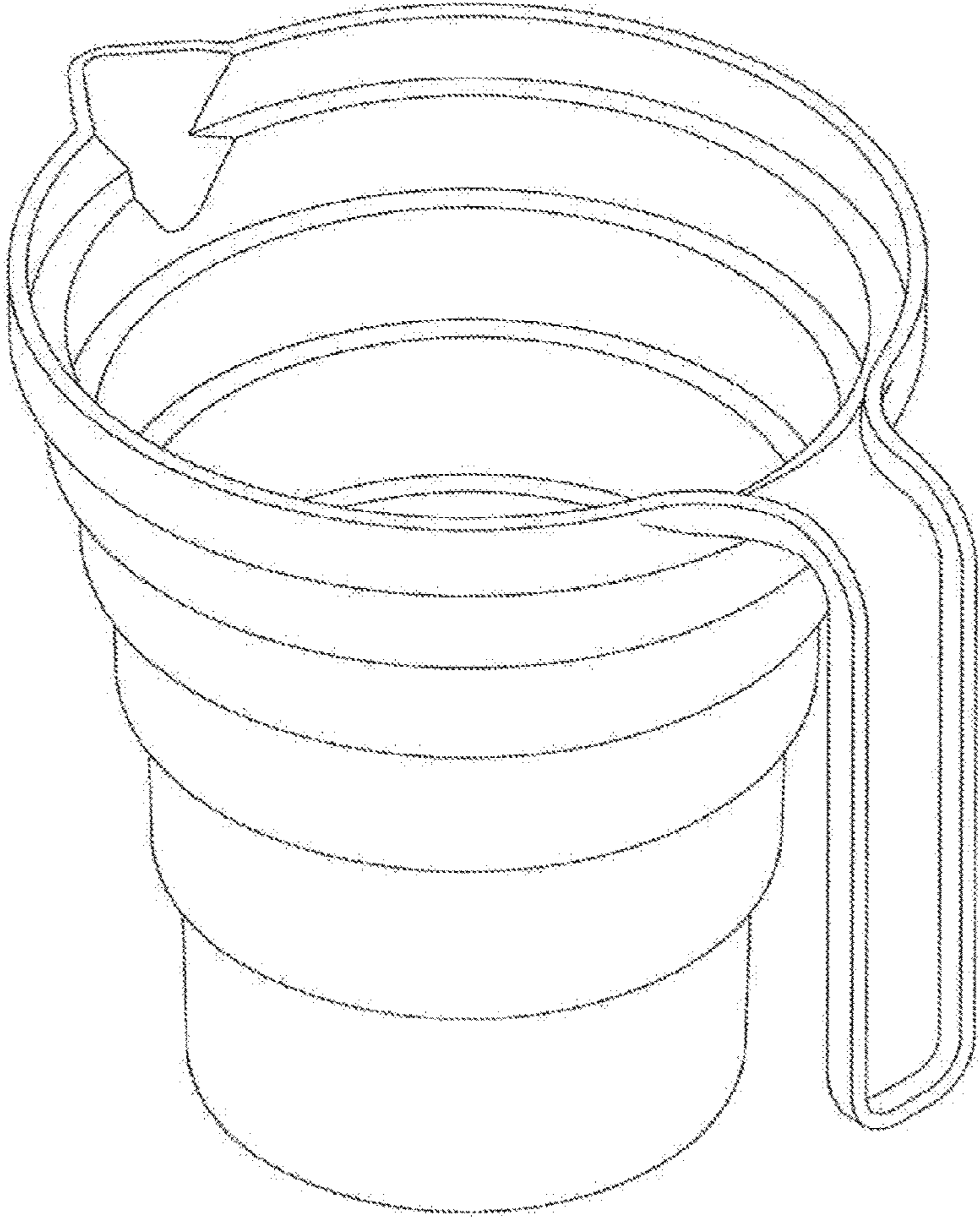


FIG. 2

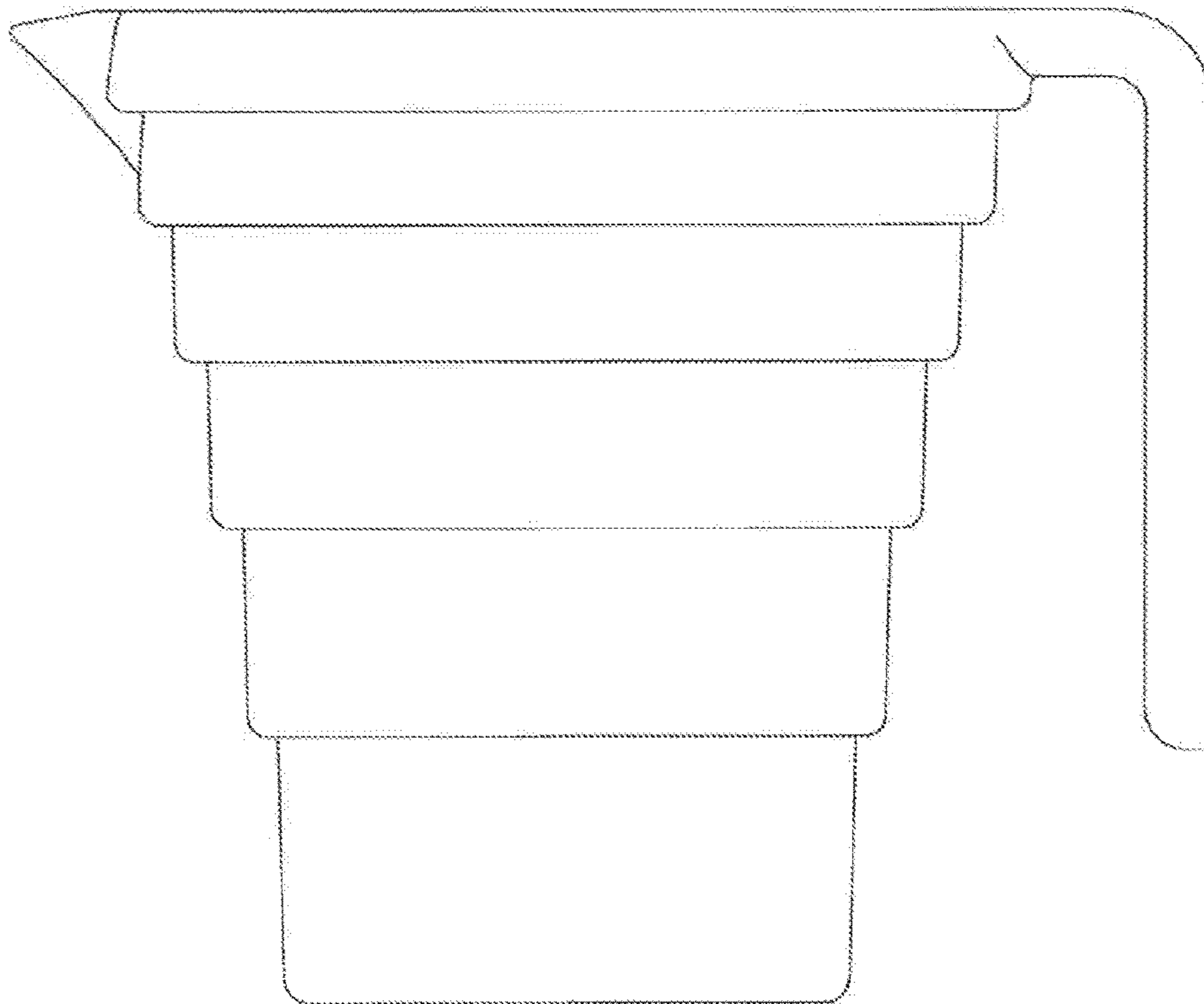


FIG. 3

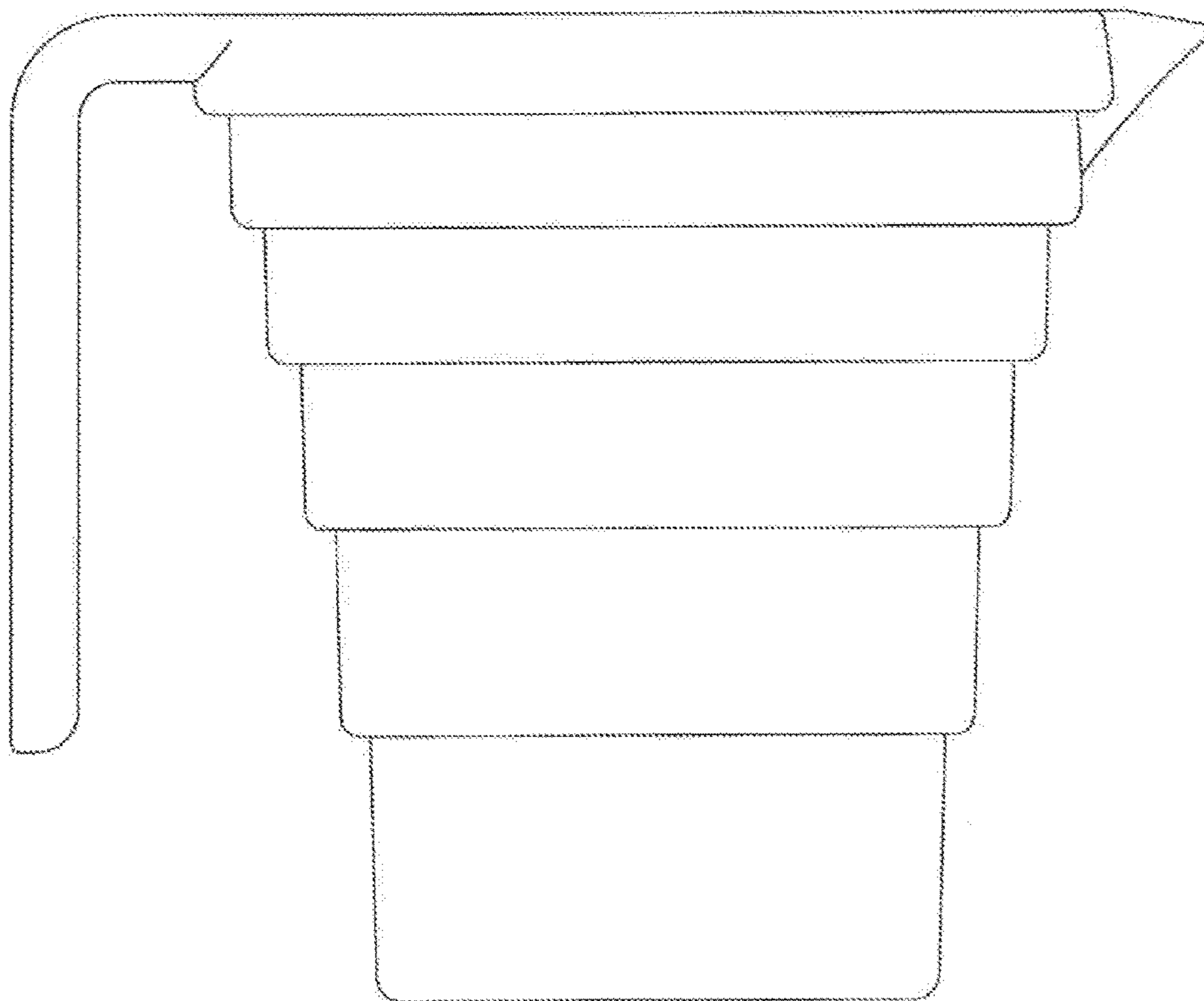


FIG. 4

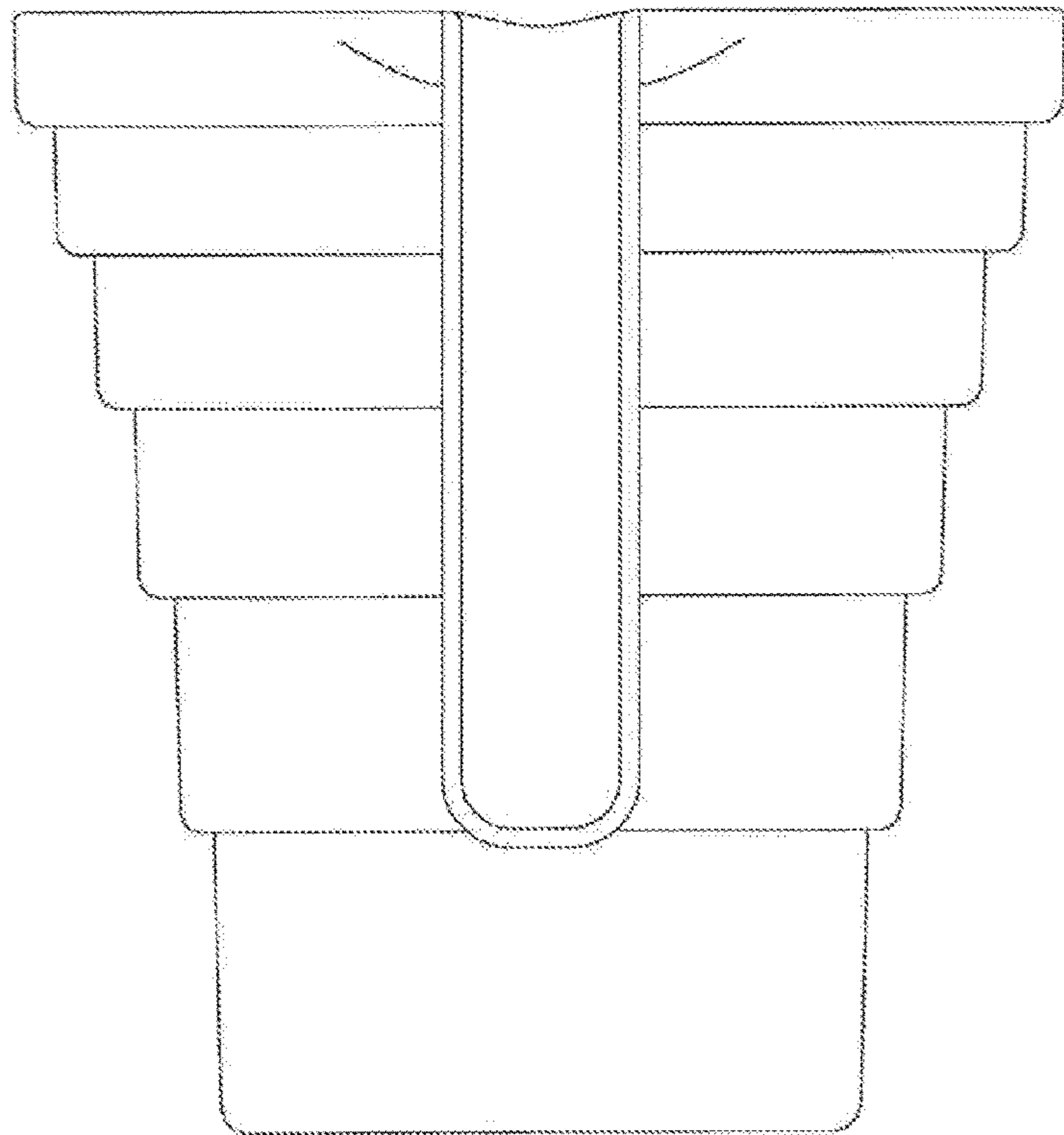


FIG. 5

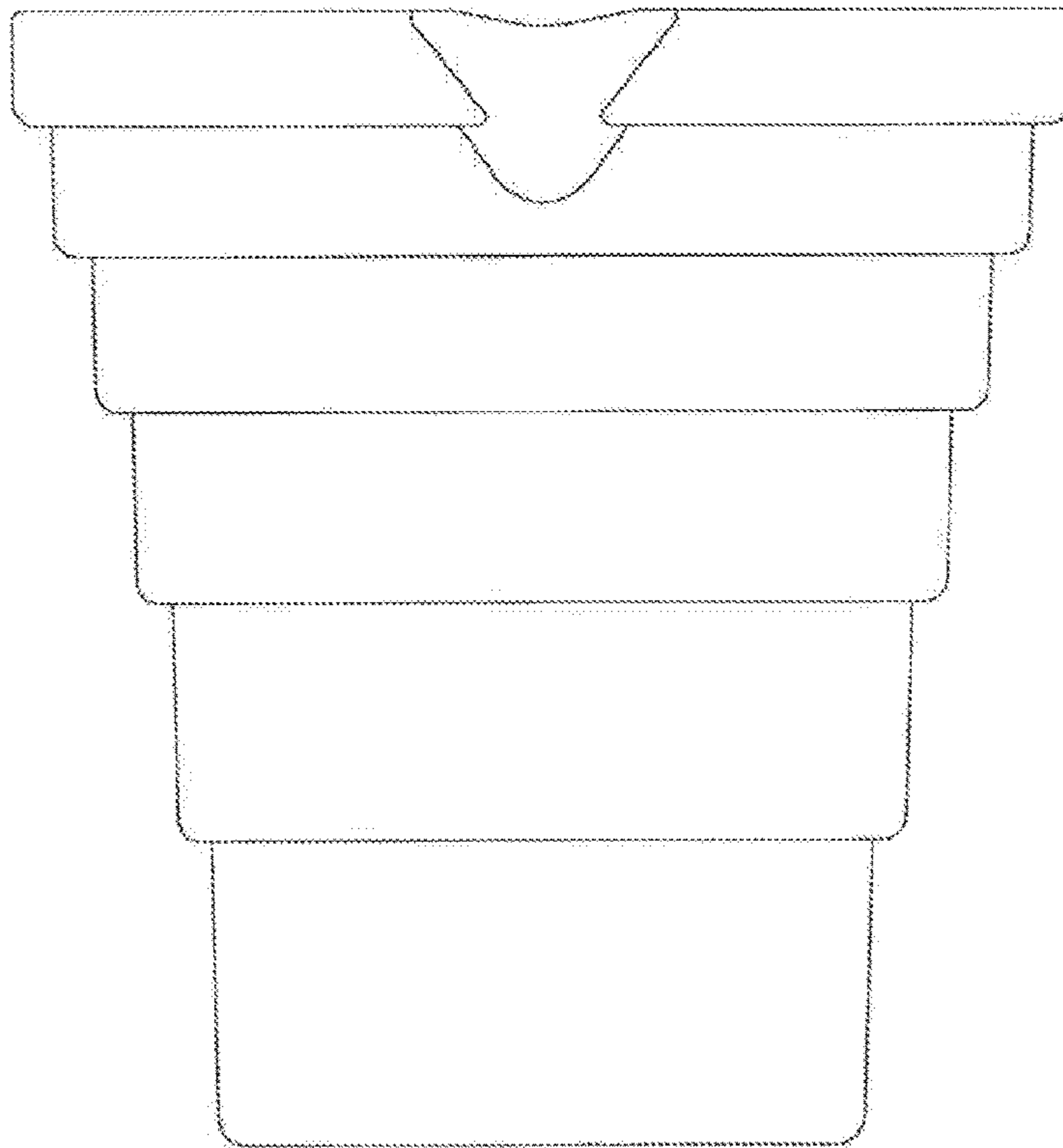


FIG. 6

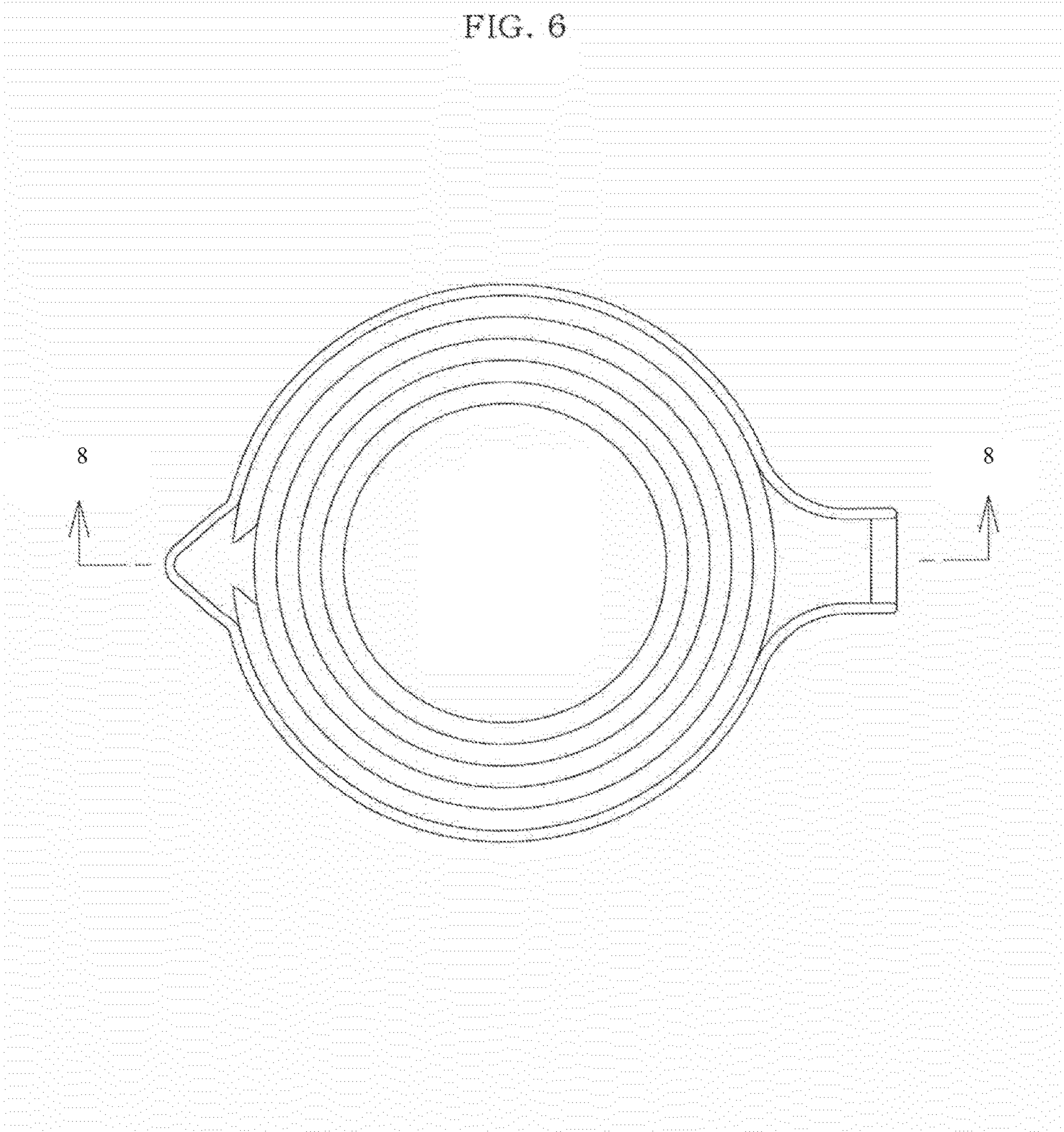


FIG. 7

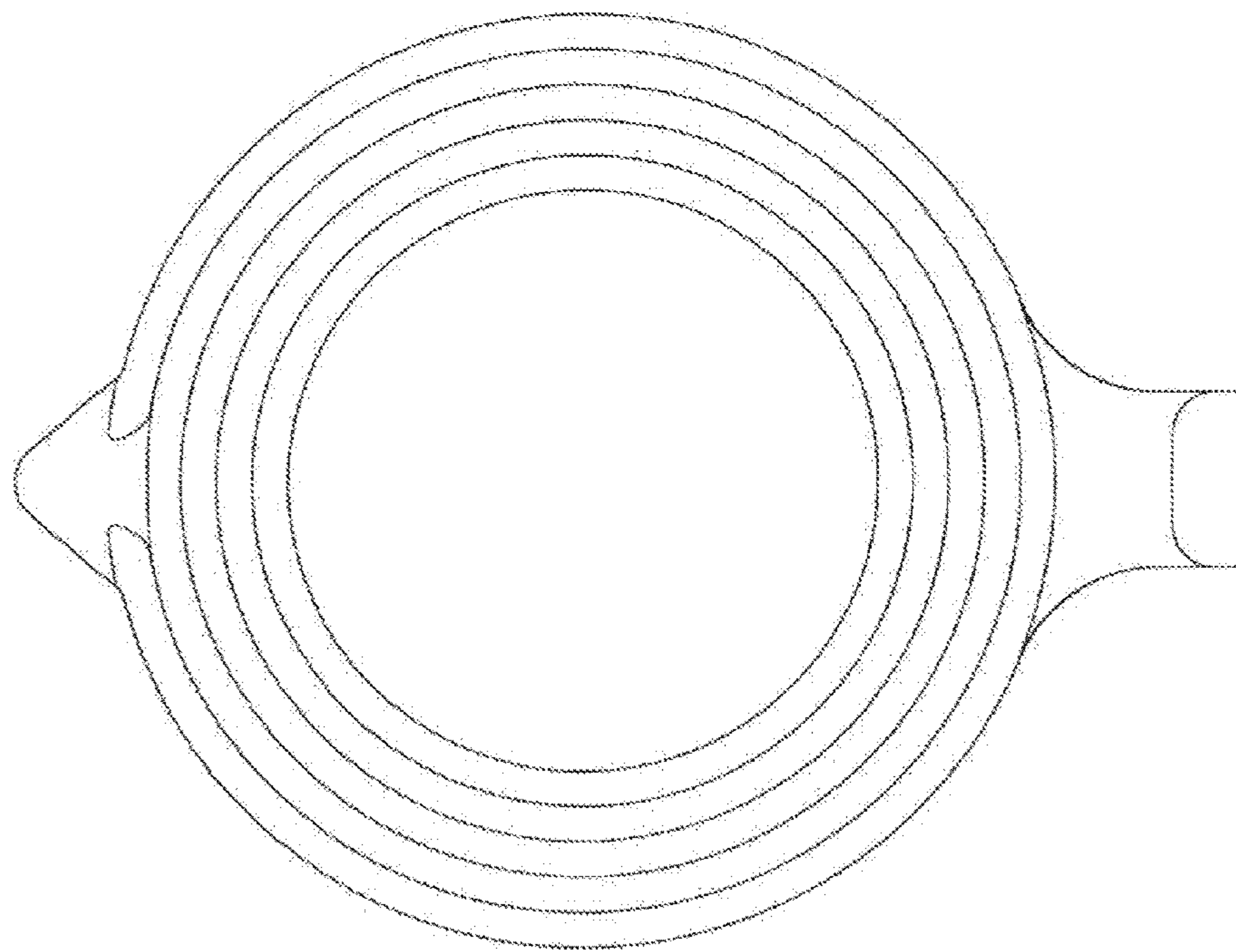




FIG. 8

