



US00D758209S

(12) **United States Design Patent**
Goodman et al.

(10) **Patent No.:** **US D758,209 S**
(45) **Date of Patent:** **** Jun. 7, 2016**

- (54) **WATCH COMPONENT**
- (71) Applicant: **Oakley, Inc.**, Foothill Ranch, CA (US)
- (72) Inventors: **Christopher Goodman**, Ladera Ranch, CA (US); **Tobin A. Rohrbach**, Trabuco Canyon, CA (US)
- (73) Assignee: **Oakley, Inc.**, Foothill Ranch, CA (US)
- (**) Term: **14 Years**
- (21) Appl. No.: **29/520,452**
- (22) Filed: **Mar. 13, 2015**
- (51) **LOC (10) Cl.** **10-02**
- (52) **U.S. Cl.**
USPC **D10/30; D10/38**
- (58) **Field of Classification Search**
USPC D10/30-39, 1-29, 122-132
CPC G04B 19/00; G04B 19/06; G04B 19/24;
G04B 37/00; G04B 37/0008; G04F 7/00;
G04F 7/06; G04F 7/08; G04G 17/00; G04G
17/08
See application file for complete search history.

- D379,318 S 5/1997 Lai
- D379,319 S 5/1997 Lai
- D379,768 S 6/1997 Osit
- D380,690 S 7/1997 Riley
- D380,698 S 7/1997 Paredes
- D384,295 S 9/1997 Riley
- D385,805 S 11/1997 Giardiello
- D386,698 S 11/1997 Giardiello
- D392,902 S 3/1998 Mouawad

(Continued)

OTHER PUBLICATIONS

U.S. Appl. No. 29/484,987, filed Mar. 14, 2014, Goodman.
(Continued)

Primary Examiner — Martie K Holtje
(74) *Attorney, Agent, or Firm* — Knobbe Martens Olson & Bear LLP

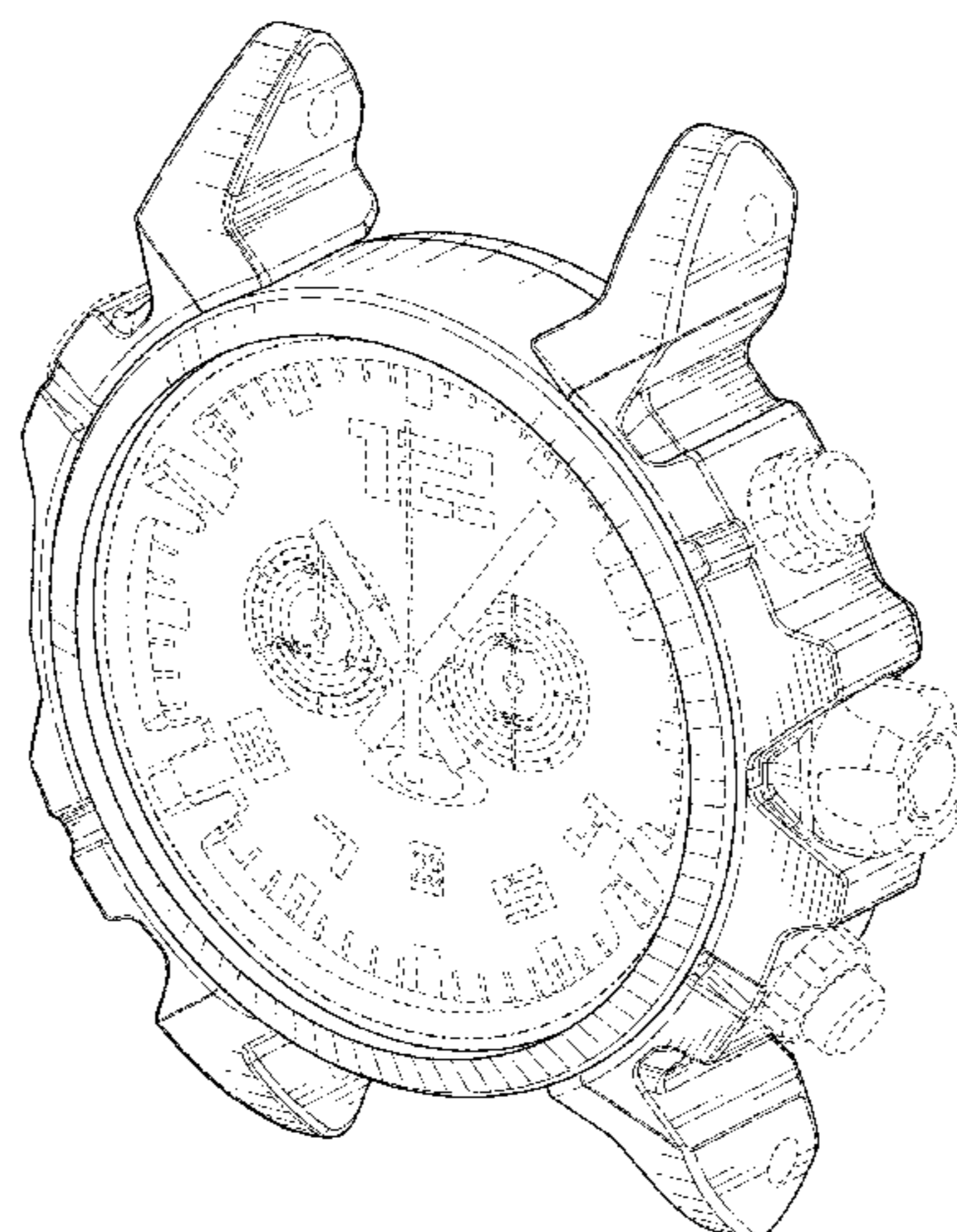
(57) **CLAIM**
The ornamental design for a watch component, as shown and described.

DESCRIPTION

FIG. 1 is a right front perspective view of a watch component showing our new design;
FIG. 2 is a front elevational view thereof;
FIG. 3 is a rear elevational view thereof;
FIG. 4 is a left side elevational view of thereof;
FIG. 5 is a right side elevational view of thereof;
FIG. 6 is a bottom plan view of thereof; and,
FIG. 7 is a top plan view of thereof.
The dot-dash-dot broken lines in FIGS. 1 and 2 encircling the face of the watch component and in FIG. 3 encircling a portion of the rear cover represent unclaimed boundaries, the areas within which form no part of the claimed design.
The even length dashed lines in the drawing figures have been shown for the purpose of illustrating portions of the watch component that form no part of the claimed design.

1 Claim, 5 Drawing Sheets

- (56) **References Cited**
U.S. PATENT DOCUMENTS
- 2,361,563 A 10/1944 Pellaton
- 3,427,800 A 2/1969 Blum
- D287,470 S 12/1986 Houlihan
- D295,841 S 5/1988 Kano
- 4,972,393 A 11/1990 Sase et al.
- D325,528 S 4/1992 Schneider
- 5,119,349 A 6/1992 Muto et al.
- D329,386 S 9/1992 Burgener
- D337,277 S 7/1993 Scarinzi et al.
- D338,161 S 8/1993 Kizaki
- D346,975 S 5/1994 Houlihan
- D350,074 S * 8/1994 Giardiello D10/30
- D352,250 S 11/1994 Giardiello
- D354,012 S 1/1995 Barbara
- D364,821 S 12/1995 Sakai et al.



(56)

References Cited

U.S. PATENT DOCUMENTS

D392,903 S 3/1998 Yerby et al.
 D394,214 S 5/1998 Sang
 5,878,002 A 3/1999 Pfeil
 5,892,455 A 4/1999 Matsumoto
 D413,071 S 8/1999 Fichter
 D415,434 S 10/1999 Matsuda
 5,974,000 A 10/1999 Pfeil
 6,200,019 B1 3/2001 Latini
 D443,833 S 6/2001 Lepeu et al.
 D447,063 S 8/2001 Scheufele
 D447,065 S 8/2001 Baumann
 D447,427 S 9/2001 Finazzi
 D452,175 S 12/2001 Finazzi
 D473,475 S 4/2003 Baumann
 D473,800 S * 4/2003 Moritz D10/32
 D474,118 S 5/2003 Monachon
 6,570,823 B1 5/2003 Gilomen et al.
 D486,401 S * 2/2004 Yee D10/30
 D498,682 S * 11/2004 Moritz D10/30
 D519,389 S 4/2006 Takahashi
 D519,854 S 5/2006 Modolo
 D525,537 S 7/2006 Monachon
 D533,468 S 12/2006 Loth
 D536,627 S 2/2007 Behling
 D540,199 S 4/2007 Nussbaumer
 D542,158 S * 5/2007 Thixton D10/38
 7,210,845 B2 5/2007 Oesch et al.
 D556,604 S * 12/2007 Yee D10/32
 D557,619 S 12/2007 Moritz
 D562,156 S * 2/2008 Pozzan D10/39

D563,802 S 3/2008 Loth
 D574,263 S 8/2008 Loth
 D574,734 S 8/2008 Loth
 D574,736 S 8/2008 Actis-Datta
 D580,280 S * 11/2008 Takahashi D10/39
 D581,812 S 12/2008 Moritz
 D585,308 S 1/2009 Loth
 D585,768 S 2/2009 Loth
 D586,238 S 2/2009 Loth
 D590,276 S 4/2009 Miloradovic
 D590,728 S 4/2009 Moritz
 D595,156 S 6/2009 Moritz
 D598,302 S 8/2009 Moritz
 D600,572 S 9/2009 Yee
 D610,473 S 2/2010 Goodman
 D611,358 S 3/2010 Yee
 D611,359 S 3/2010 Moritz
 D622,619 S 8/2010 Goodman
 D623,542 S 9/2010 Fontana
 D640,145 S * 6/2011 Goto D10/32
 D648,229 S 11/2011 Moritz
 D656,416 S * 3/2012 Monachon D10/39
 D659,043 S 5/2012 Moritz
 D671,428 S * 11/2012 Mazzucato D10/38
 D703,571 S 4/2014 Goodman
 D706,144 S * 6/2014 Monachon D10/39
 D715,660 S * 10/2014 Inoue D10/39
 D719,851 S 12/2014 Goodman et al.

OTHER PUBLICATIONS

U.S. Appl. No. 29/491,453, filed May 21, 2014, Goodman.
 U.S. Appl. No. 29/512,722, filed Dec. 22, 2014, Goodman.

* cited by examiner

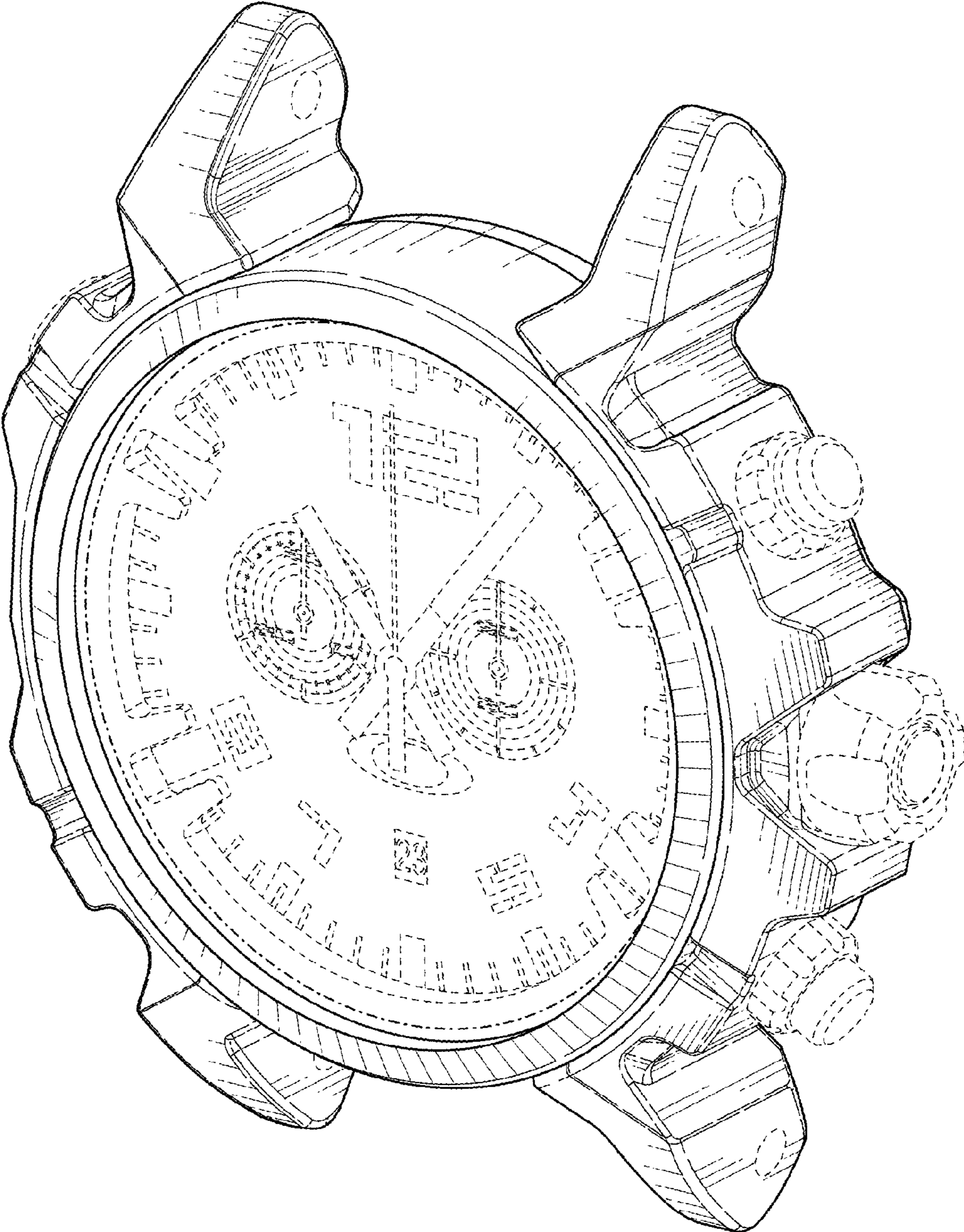


FIG. 1

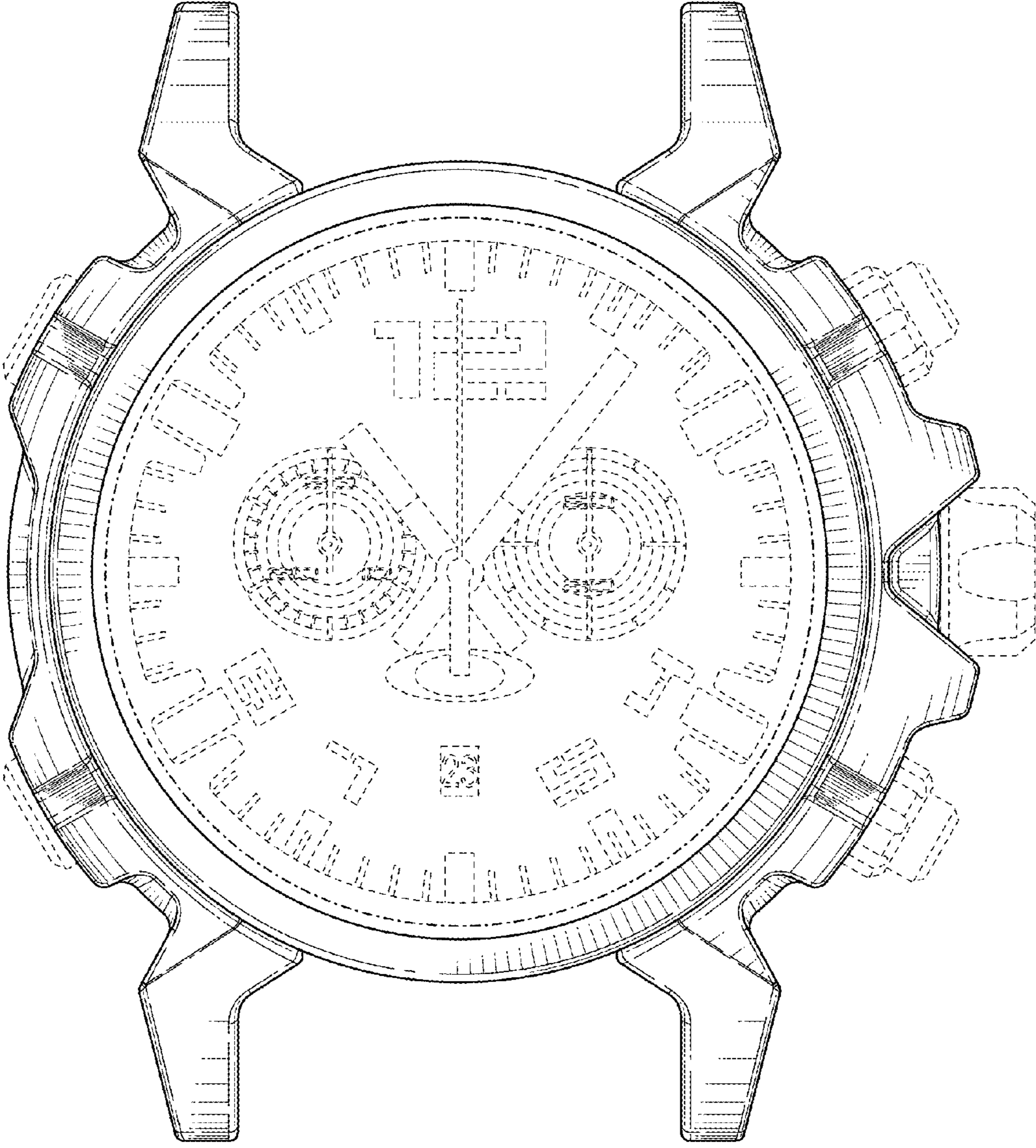


FIG. 2

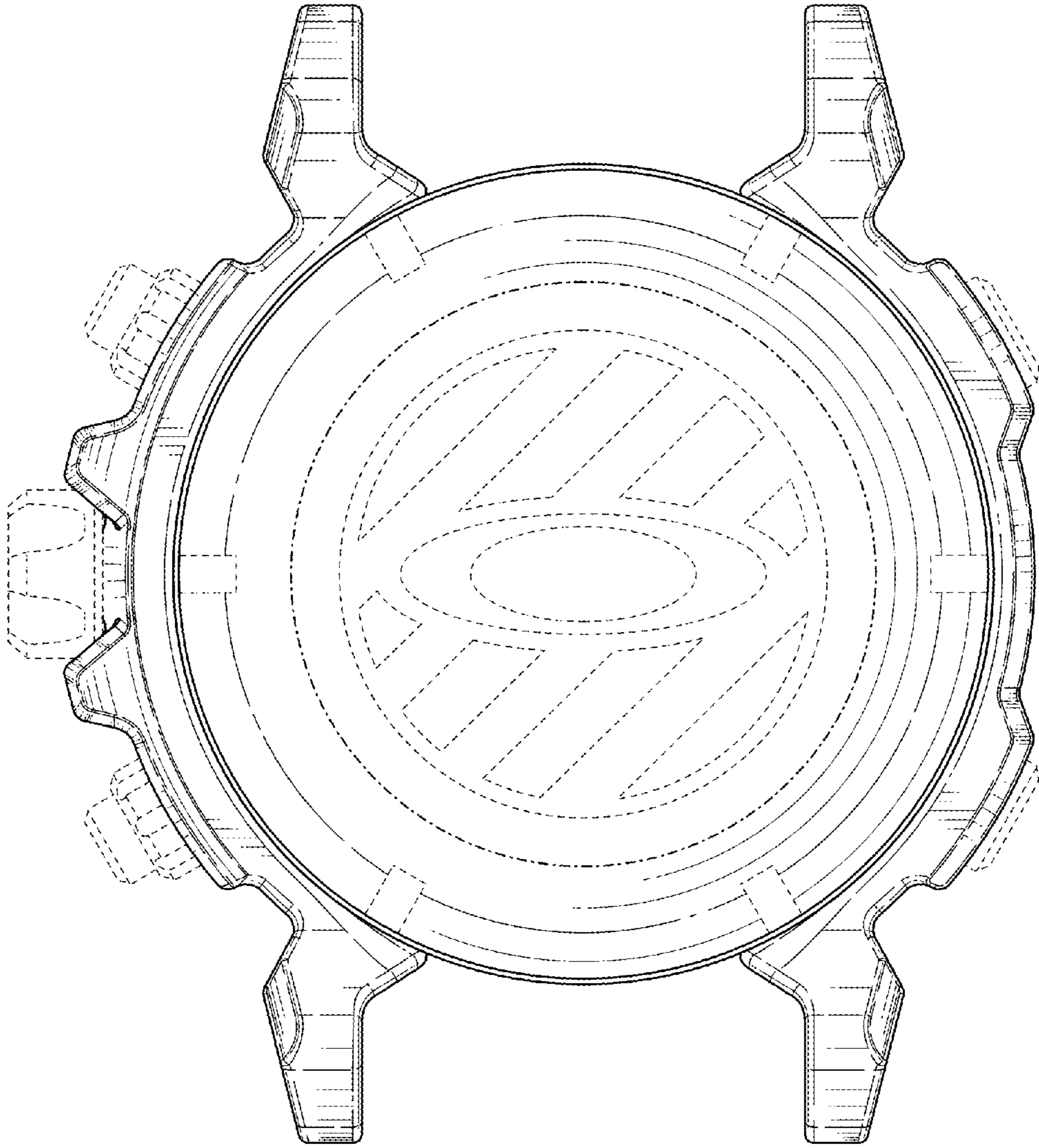


FIG. 3

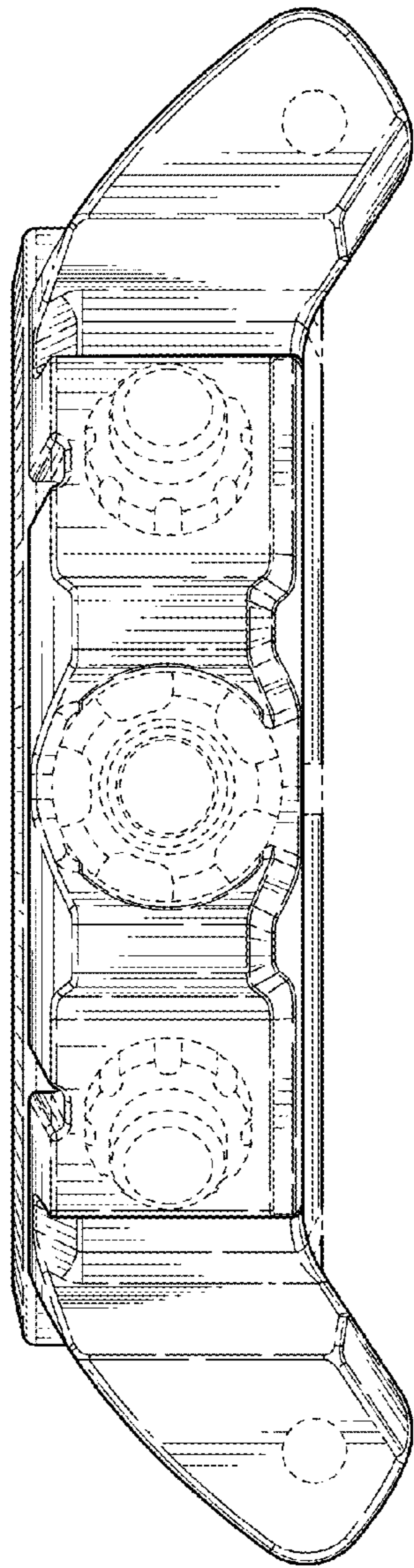


FIG. 4

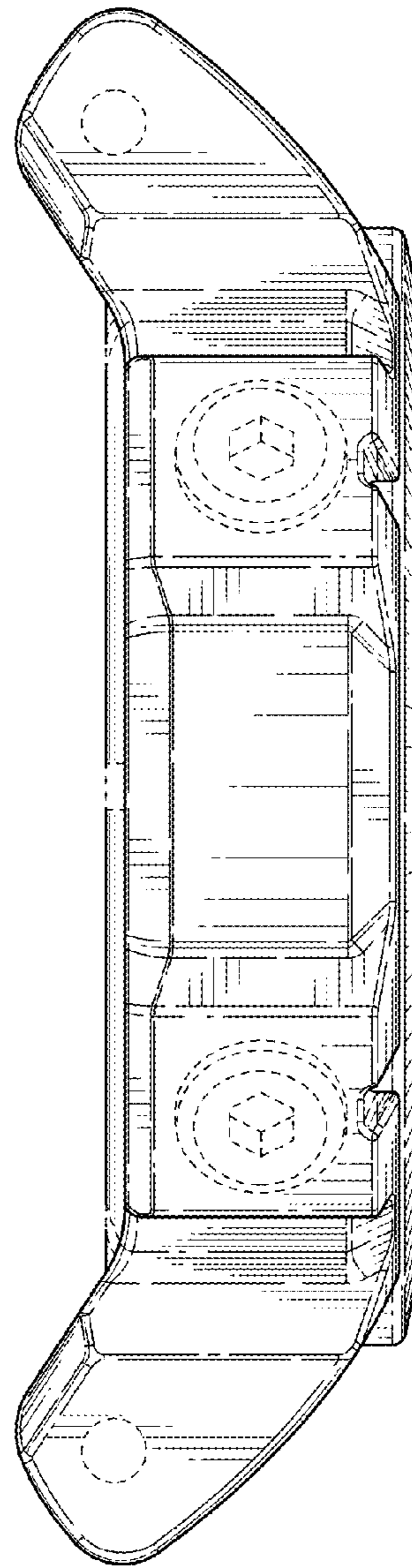


FIG. 5

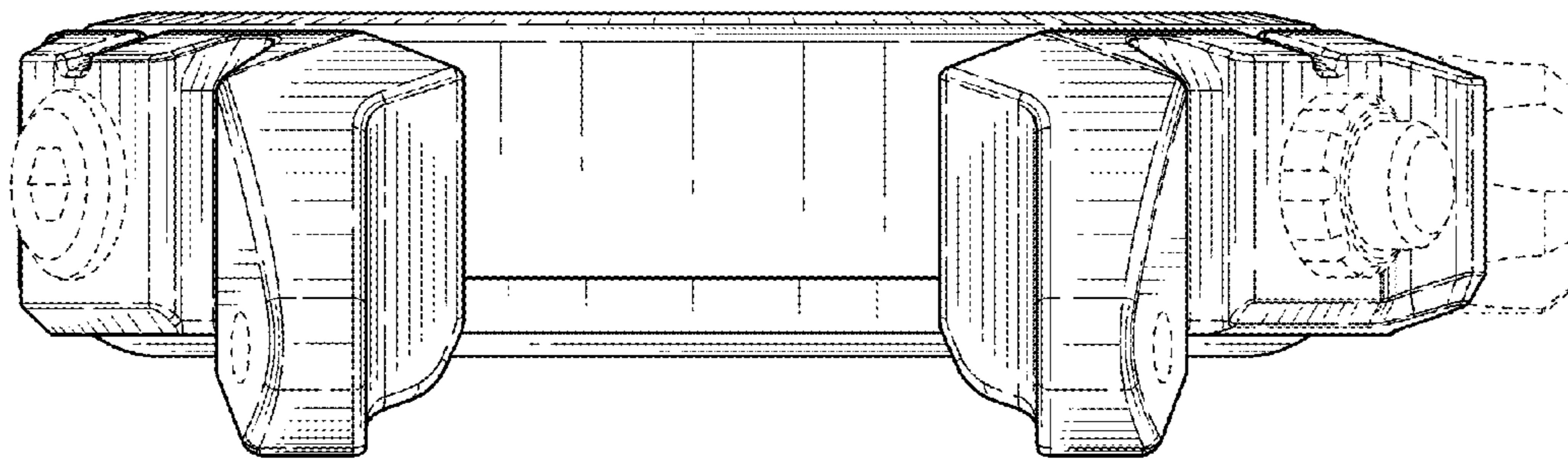


FIG. 6

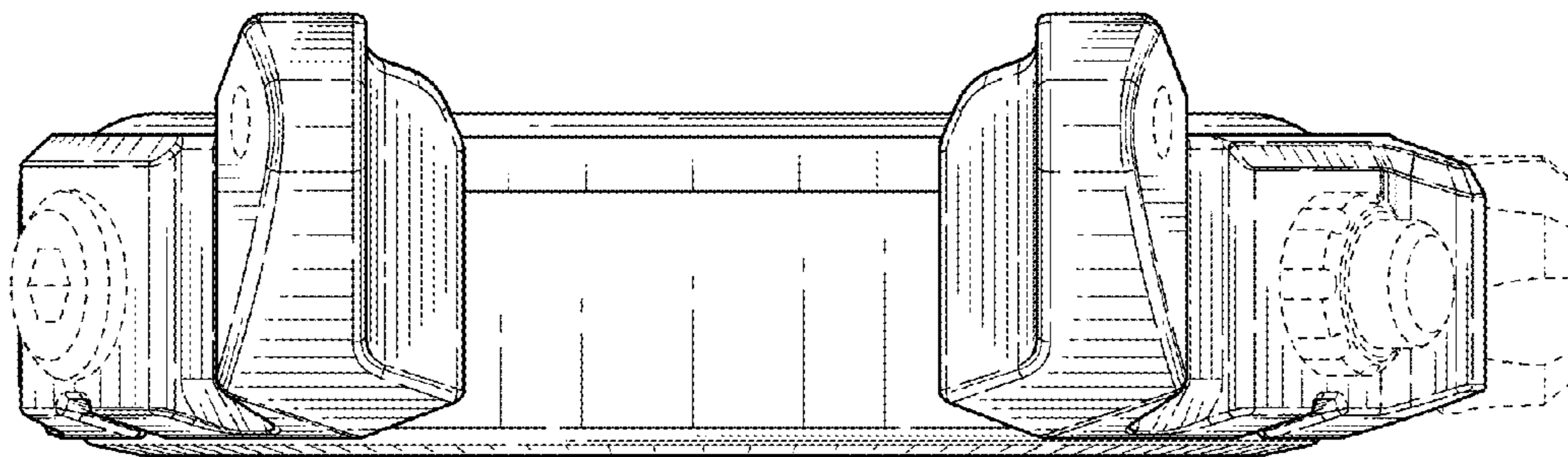


FIG. 7