



US00D758196S

(12) **United States Design Patent**  
**Blake et al.**

(10) **Patent No.:** **US D758,196 S**  
(45) **Date of Patent:** **\*\* Jun. 7, 2016**

(54) **CONTAINER**

- (71) Applicant: **Conopco, Inc.**, Englewood Cliffs, NJ (US)
- (72) Inventors: **Stephen John Blake**, London (GB); **Josephine Telesca Daoust**, Englewood Cliffs, NJ (US); **Nicholas Hammitt**, Englewood cliffs, NJ (US); **Peter James Hayes**, London (GB); **Benjamin James Lambert**, London (GB); **Gareth Frederick Jones**, Trumbull, CT (US)
- (73) Assignee: **Conopco, Inc.**, Englewood Cliffs, NJ (US)

(\*\*) Term: **14 Years**

(21) Appl. No.: **29/467,716**

(22) Filed: **Sep. 23, 2013**

(51) **LOC (10) Cl.** ..... **09-01**

(52) **U.S. Cl.**  
USPC ..... **D9/529; D9/542; D9/551; D9/558; D9/449; D9/454**

(58) **Field of Classification Search**  
USPC ..... **D9/529-530, 542-543, 551-552, 558, D9/571, 574, 449; 215/379, 381-382, 384; 220/660, 662, 669; D28/76**  
See application file for complete search history.

(56) **References Cited**

**U.S. PATENT DOCUMENTS**

D177,570 S *	5/1956	James	.....	D9/539 X
D199,766 S *	12/1964	Lorenzen	.....	D9/542
D226,174 S	1/1973	Osborn		
D305,300 S *	1/1990	Kraft	.....	D9/529 X
D333,435 S	2/1993	Blair		
D398,533 S *	9/1998	Kotyuk, Jr.	.....	D9/539
D403,589 S *	1/1999	Wong	.....	D9/504
D480,003 S *	9/2003	Blades	.....	D9/529
D484,644 S *	12/2003	Noh	.....	D28/76
D503,889 S *	4/2005	Yeung	.....	D9/529

D507,061 S *	7/2005	Hudnall	.....	D9/516 X
D512,636 S *	12/2005	Pace	.....	D9/504
D532,312 S *	11/2006	Conway	.....	D9/538
D547,661 S *	7/2007	Blasko	.....	D9/454
D577,290 S *	9/2008	Moretti	.....	D9/500
D578,394 S	10/2008	Shurtleff		
D588,011 S *	3/2009	Shimizu	.....	D9/454
D595,578 S *	7/2009	Del Tedesco		
		Zamberlan	.....	D28/76
D599,669 S *	9/2009	Webster	.....	D9/529
D599,953 S *	9/2009	Gibson	.....	D9/504 X
D609,097 S	2/2010	Almstead, Jr.		
D613,603 S *	4/2010	Rowland	.....	D9/504
D622,616 S *	8/2010	Thao	.....	D9/730
D641,635 S	7/2011	Wang Treadway		
D651,519 S *	1/2012	Gibson	.....	D9/529 X

(Continued)

**OTHER PUBLICATIONS**

Hugo Boss-SKIN packaging, far left pack (photo), Apr. 2, 2008 (online), [retrieved on Jan. 4, 2016]. Retrieved from the Internet <http://www.packagingoftheworld.com/2008/04/hugo-boss-skin.html>.

(Continued)

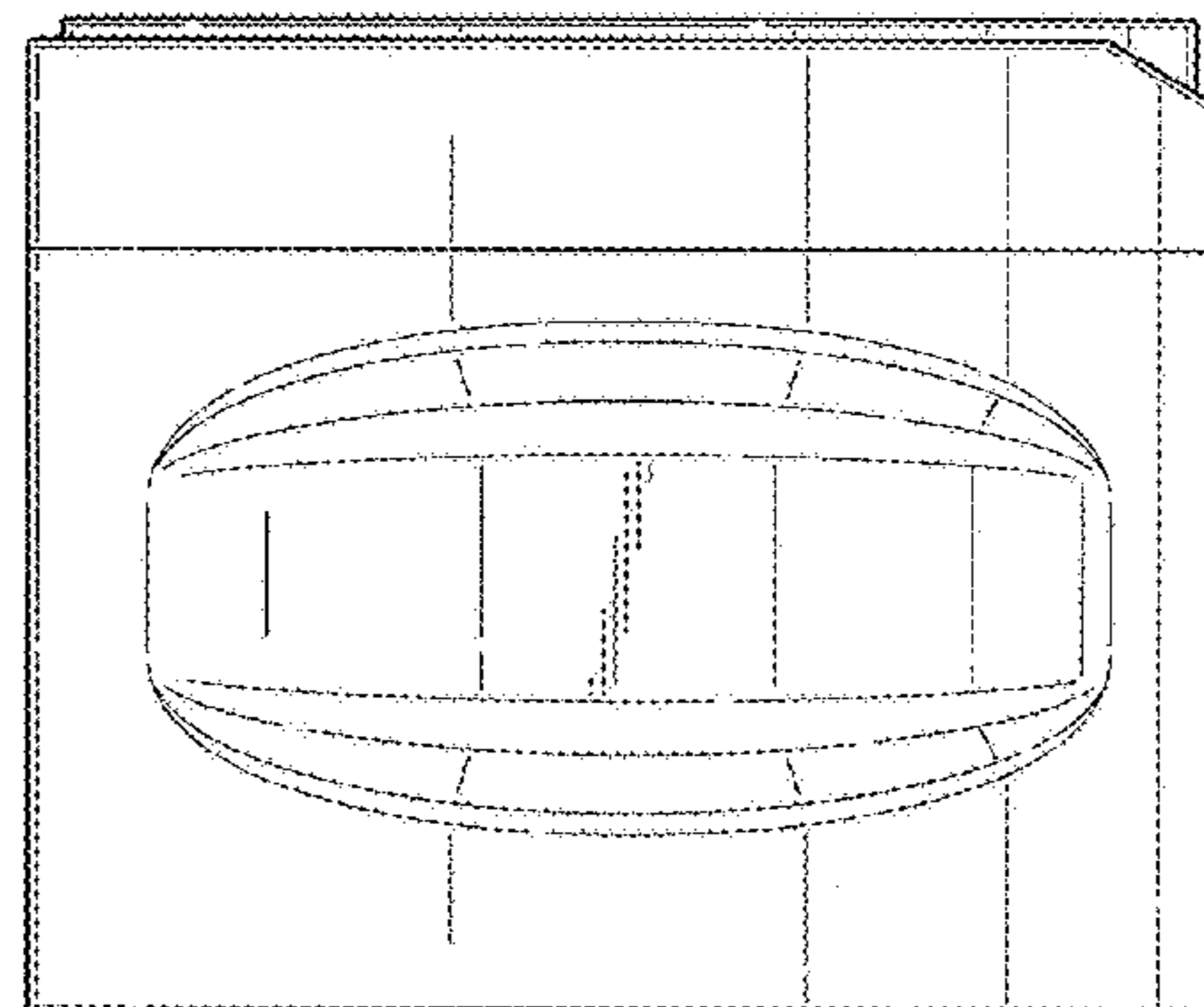
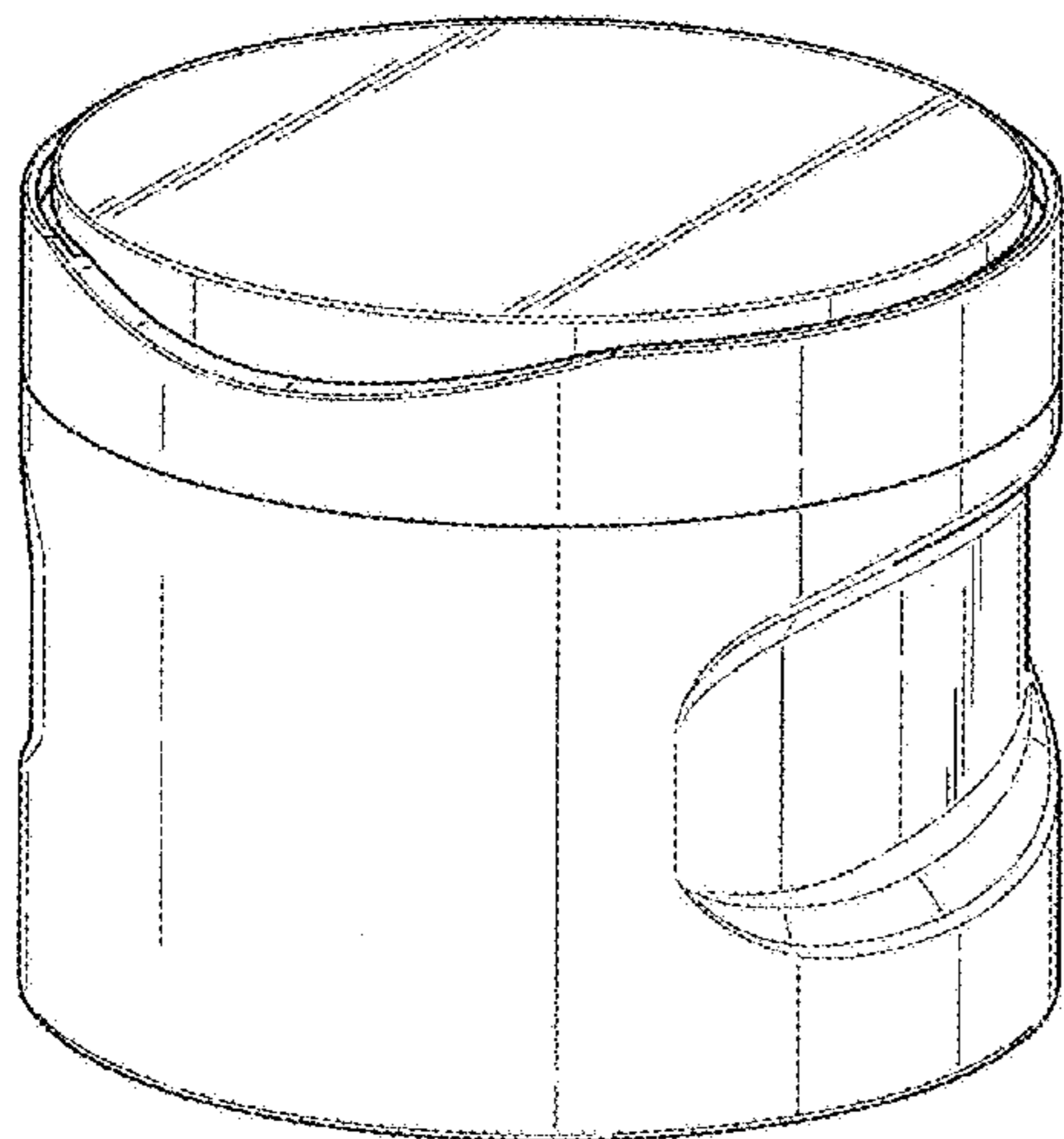
*Primary Examiner* — Carol P Rademaker  
(74) *Attorney, Agent, or Firm* — Karen E. Klumas

(57) **CLAIM**  
The ornamental design for a container, as shown and described.

**DESCRIPTION**

FIG. 1 is a top front, right side perspective view of our container;  
FIG. 2 is a front elevational view thereof;  
FIG. 3 is a rear elevational view thereof;  
FIG. 4 is a left side elevational view thereof;  
FIG. 5 is a right side elevational view thereof;  
FIG. 6 is a top plan view thereof; and,  
FIG. 7 is a bottom plan view thereof.

**1 Claim, 4 Drawing Sheets**



(56)

**References Cited**

U.S. PATENT DOCUMENTS

D662,422 S      6/2012 Avakian  
D669,782 S      10/2012 Hoffman  
D669,783 S      10/2012 Hoffman  
D692,303 S      10/2013 Rhodes  
D712,261 S \*    9/2014 Humm ..... D9/449

OTHER PUBLICATIONS

Hugo Boss-SKIN packaging, third pack from left (photo), Apr. 2, 2008 (online), [retrieved on Jan. 4, 2016]. Retrieved from the Internet

<http://www.packagingoftheworld.com/2008/04/hugo-boss-skin.html>.

Hugo Boss-SKIN packaging, second pack from right (photo), Apr. 2, 2008 (online), [retrieved on Jan. 4, 2016]. Retrieved from the Internet

<http://www.packagingoftheworld.com/2008/04/hugo-boss-skin.html>.

Hugo Boss SKIN SHINE CONTROL gel moisturizer pack (photo) from Covin, Tim, "A Seismic Shift", Packaging Today, Apr. 2, 2009 (online), [retrieved on Jan. 4, 2016]. Retrieved from the Internet <http://www.packagingtoday.co.uk/features/featurea-seismic-shift/> and [http://www.packagingtoday.co.uk/uploads/pictures/web/e/v/e/boss\\_pump\\_3q\\_300dpl.jpg](http://www.packagingtoday.co.uk/uploads/pictures/web/e/v/e/boss_pump_3q_300dpl.jpg).

\* cited by examiner

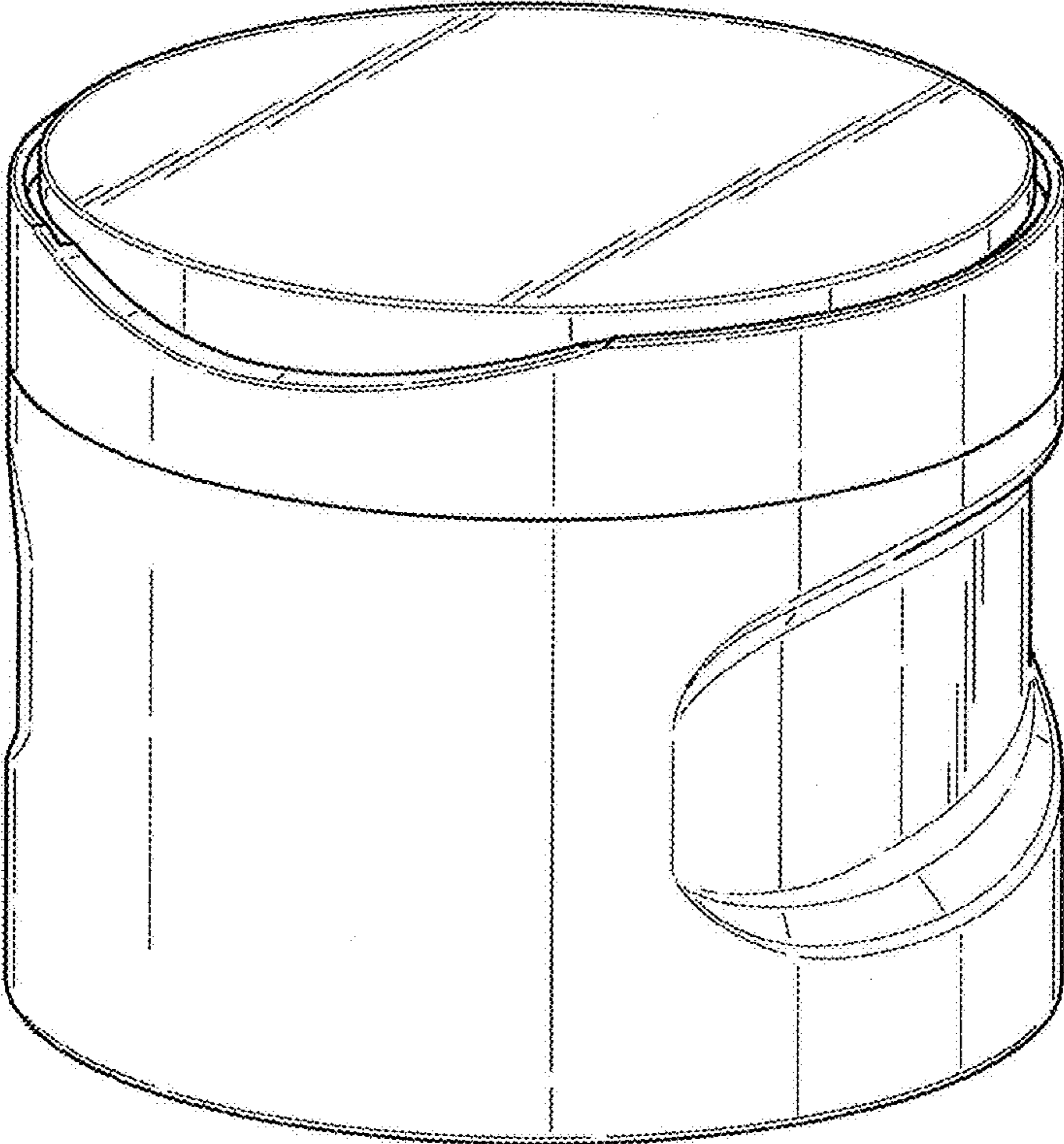


Fig. 1

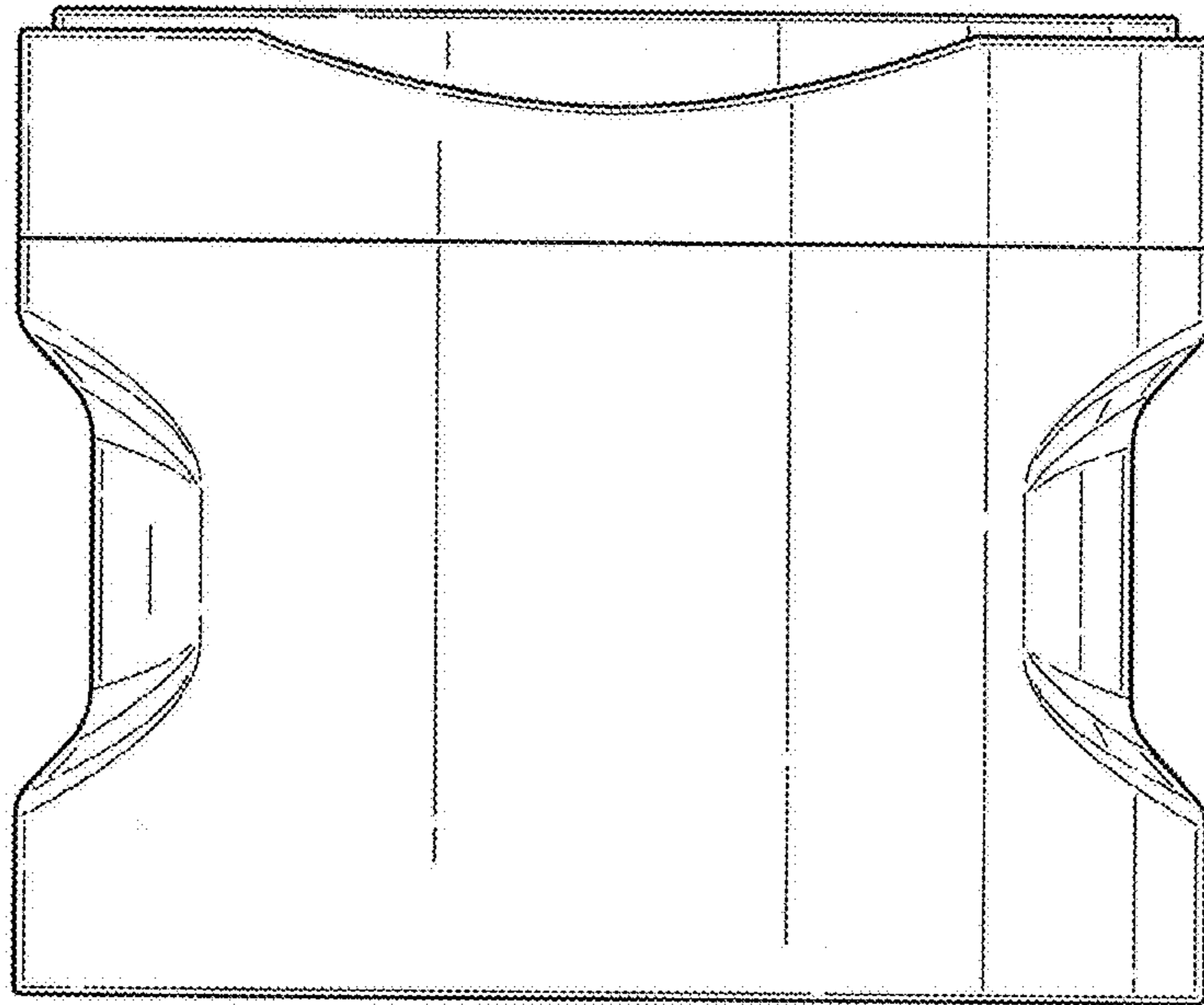


Fig. 2

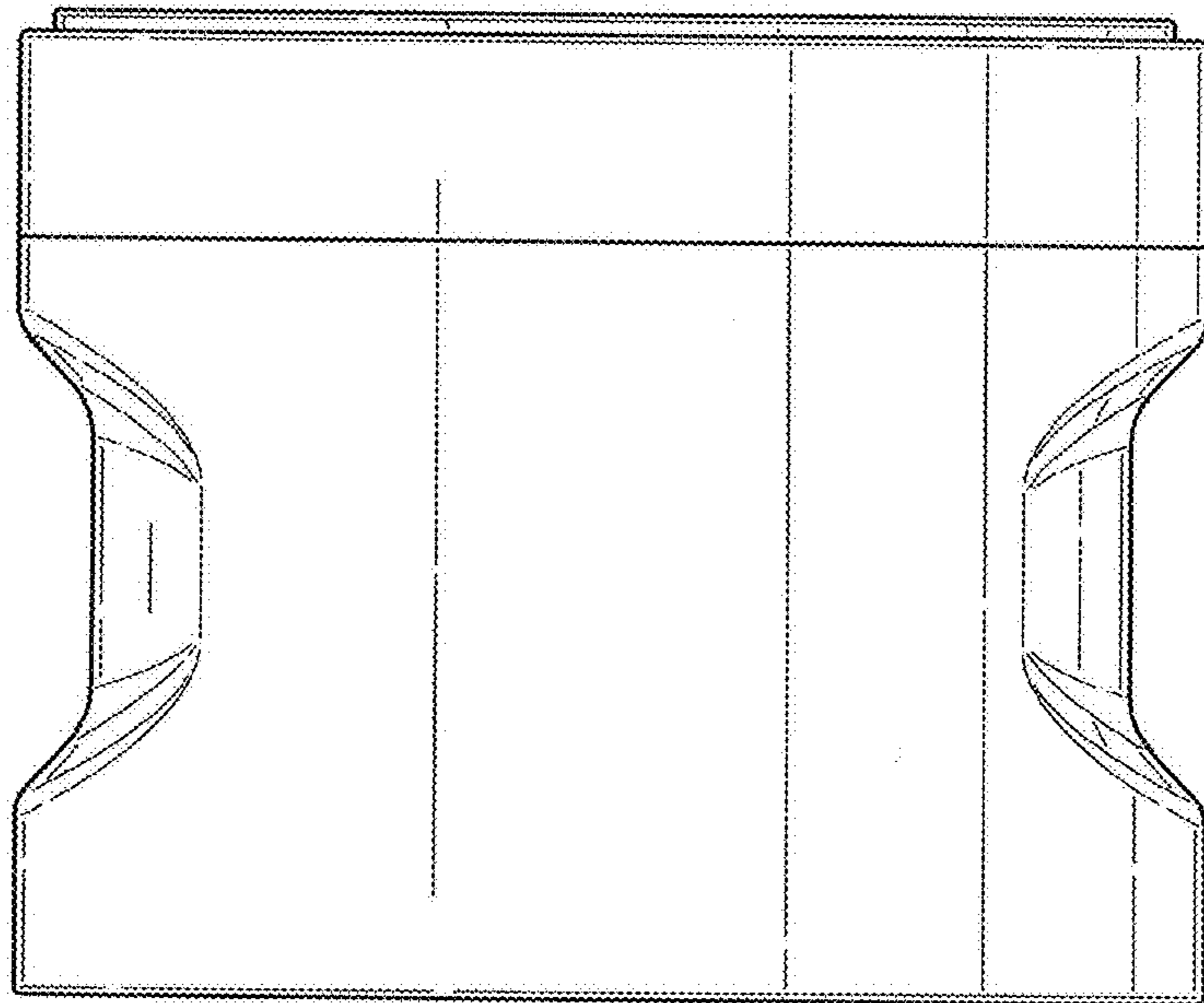


Fig. 3

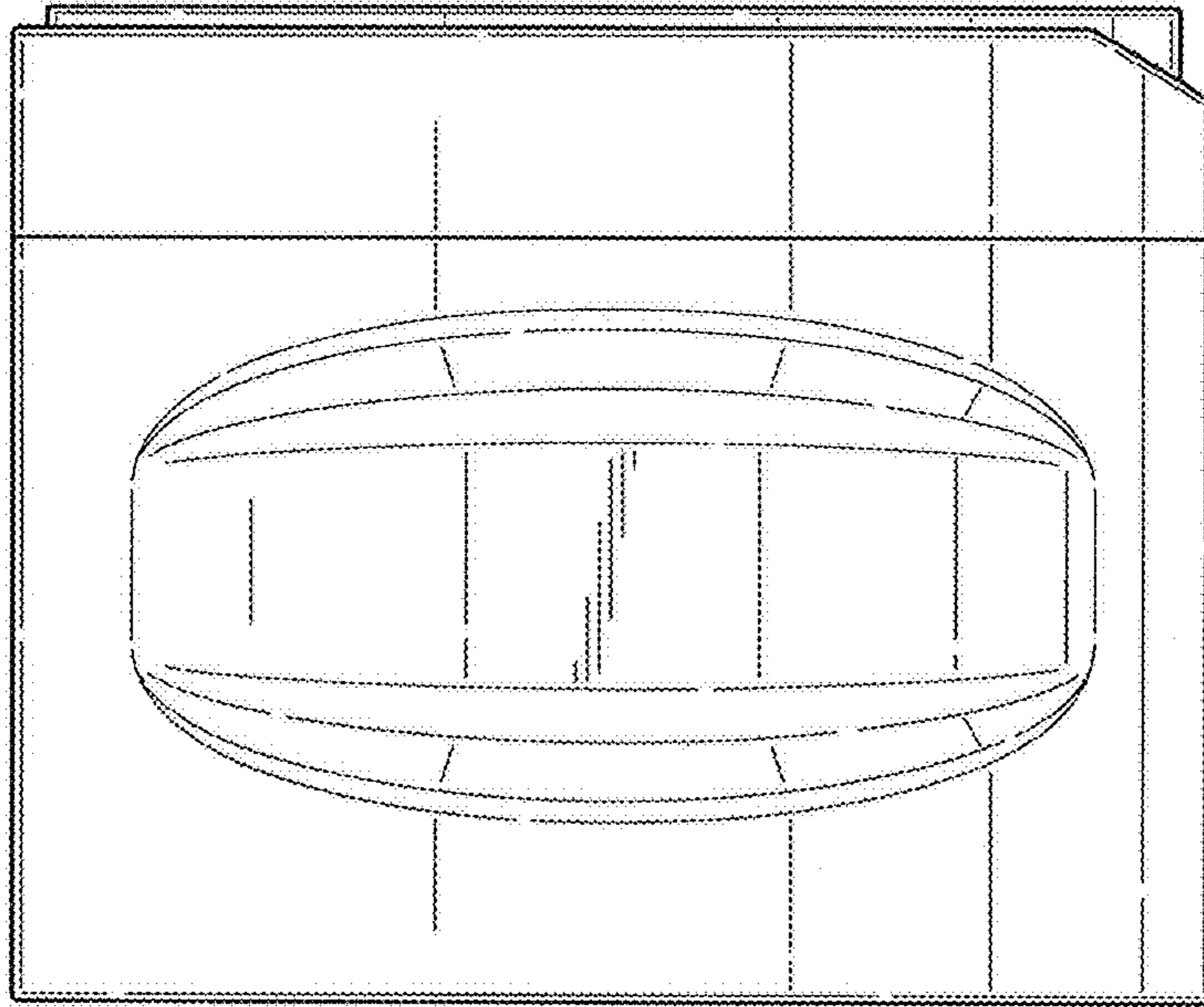


Fig. 4

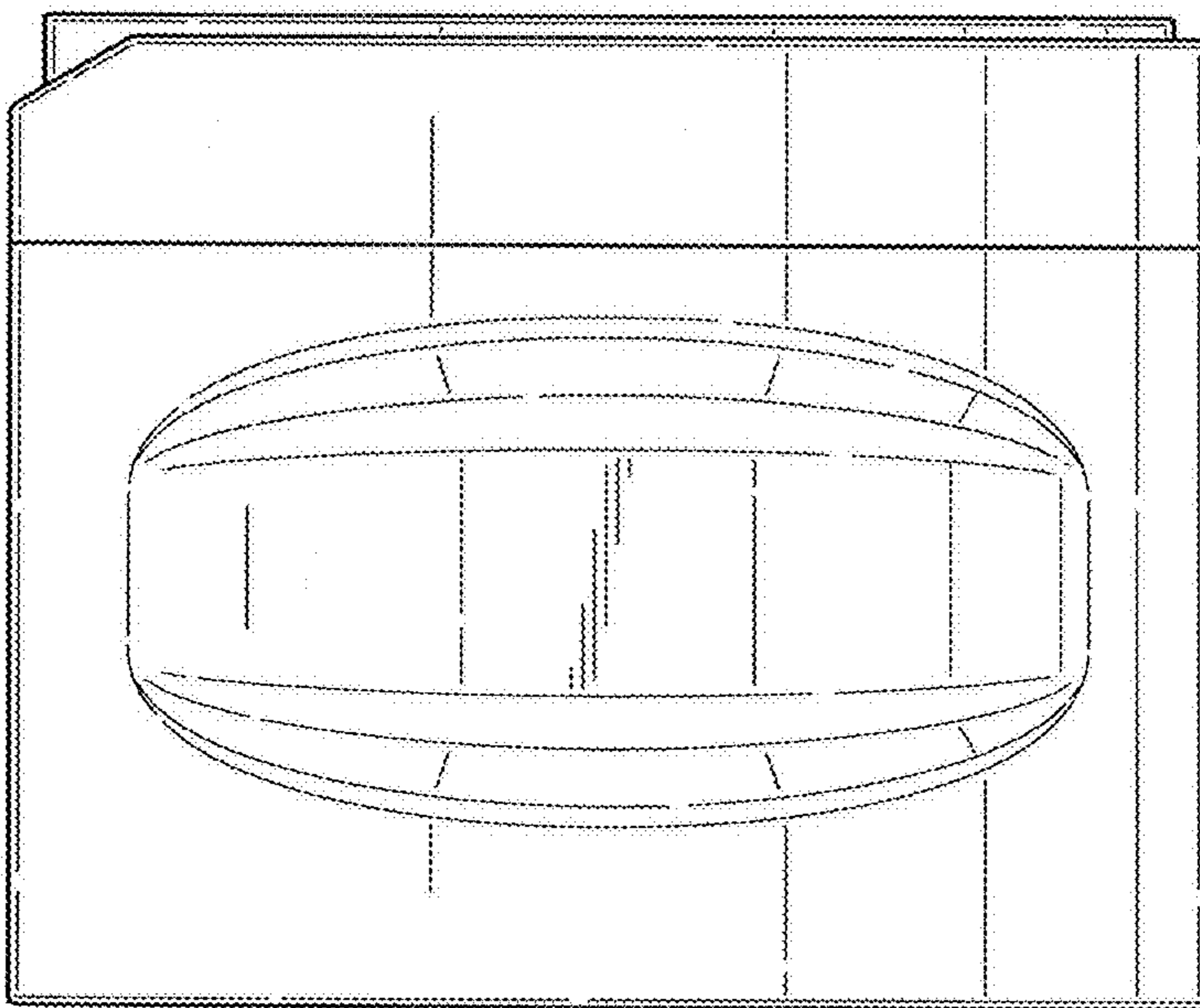


Fig. 5

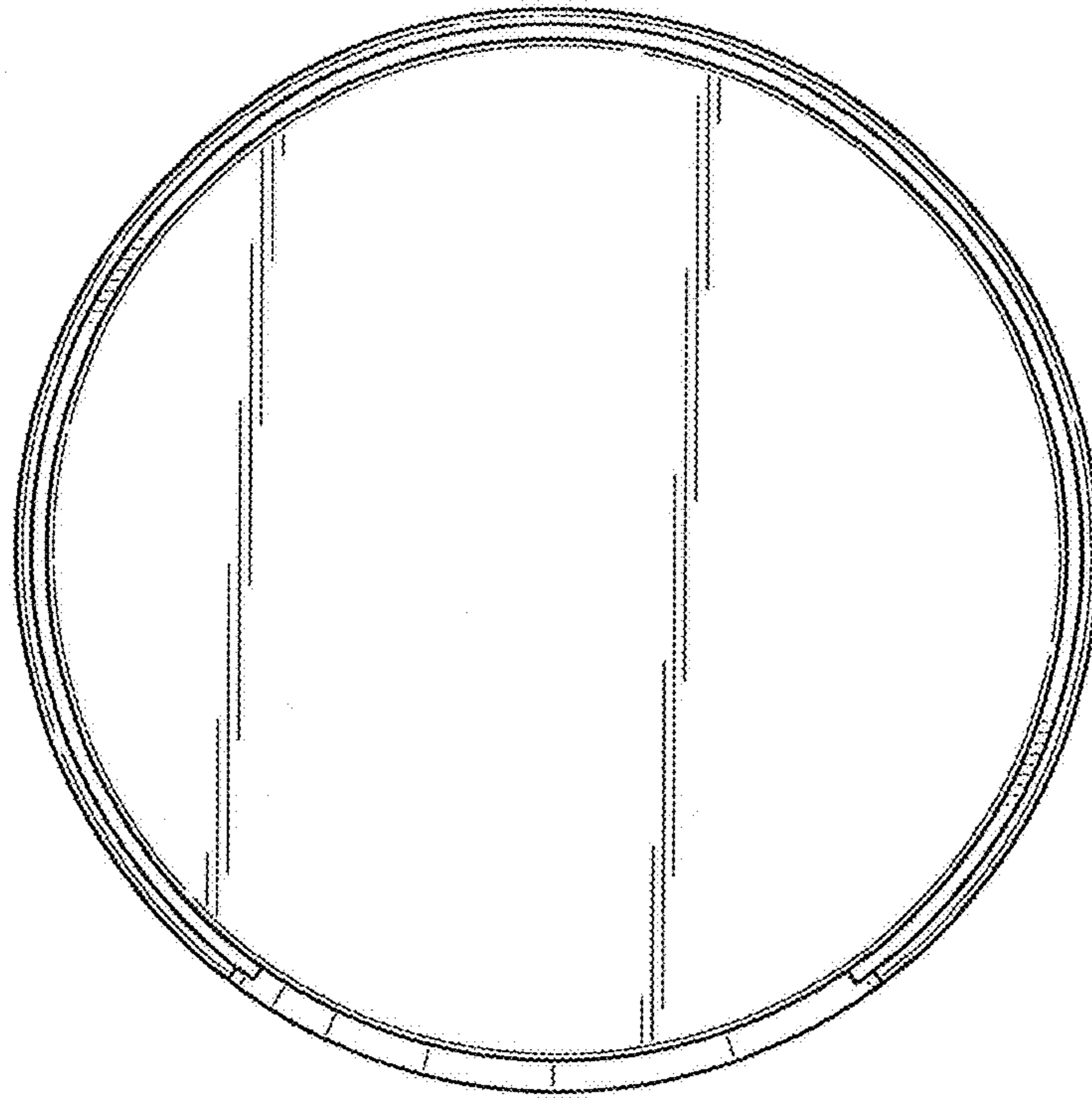


Fig. 6

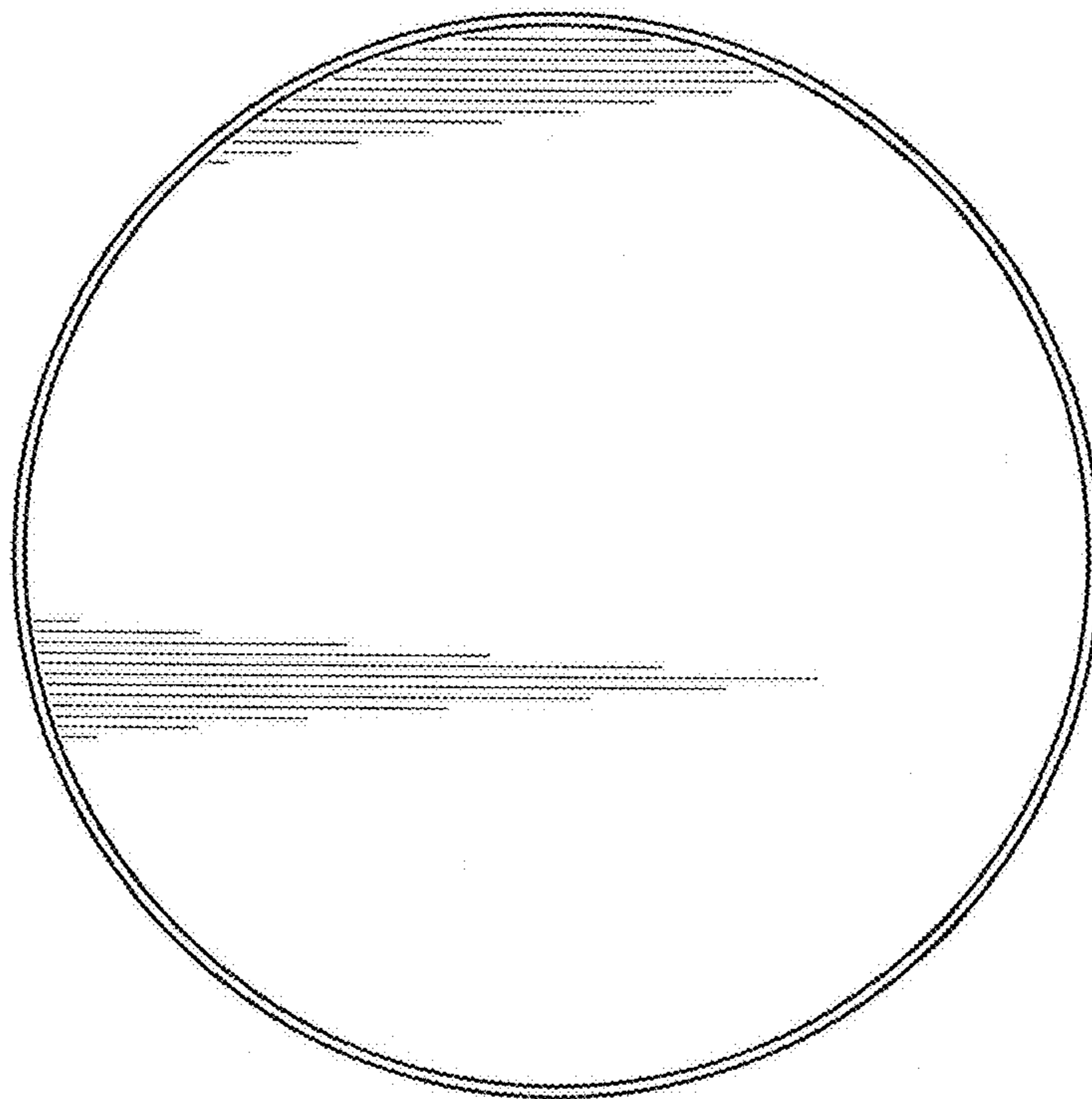


Fig. 7