



US00D758191S

(12) **United States Design Patent**
Tu et al.

(10) **Patent No.:** **US D758,191 S**
(45) **Date of Patent:** **** Jun. 7, 2016**

(54) **MEAL TRAY RETENTION PACKAGING**

(56) **References Cited**

(71) Applicant: **TableRunner, LLC**, Emeryville, CA (US)

U.S. PATENT DOCUMENTS

(72) Inventors: **Ryan Tu**, Benicia, CA (US); **Tyler Brown**, Petaluma, CA (US); **Kyle Desautels**, Livermore, CA (US)

903,824 A * 11/1908 Stavisky B65D 5/029
229/116.1
2,194,669 A * 3/1940 Mumford B65D 5/12
206/454
D194,072 S * 11/1962 Howard D3/272
D201,485 S * 6/1965 Rulli D21/501
5,025,920 A * 6/1991 Walsh A61B 10/0045
206/223
D329,982 S * 10/1992 Young D6/328
D334,498 S * 4/1993 Romme D6/515

(73) Assignee: **TableRunner, LLC**, Emeryville, CA (US)

(Continued)

(**) Term: **14 Years**

OTHER PUBLICATIONS

(21) Appl. No.: **29/520,475**

Detpak Cupcake Packaging Announced Jan. 15, 2012 [online], site visited [Jan. 19, 2016]. Available from Internet URL:<http://www.detpak.com/product-details/10/windows-range>.*

(22) Filed: **Mar. 13, 2015**

(51) **LOC (10) Cl.** **09-07**

(52) **U.S. Cl.**
USPC **D9/456**; D9/414; D9/415; D9/418;
D9/432

Primary Examiner — Thomas Johannes

Assistant Examiner — Catherine Posthauer

(74) *Attorney, Agent, or Firm* — Fish & Richardson P.C.

(58) **Field of Classification Search**

USPC D3/272, 273, 302, 311–315, 319, 901;
D6/512, 515–525; D7/550.1, 553.2,
D7/554.3, 555, 557, 584, 601, 701, 704;
D9/414–424, 427, 430–435, 455, 456,
D9/501, 503, 517, 686–690, 695–699, 710,
D9/715, 716, 718, 721, 736–739, 740–745,
D9/749, 753, 756–761, 767, 772, 781;
D13/162; D19/1, 27; D24/227–229;
D28/61, 73, 76; D21/392; 206/223,
206/349, 395–398, 495, 541, 736, 756, 760,
206/784; 229/100, 101, 101.3, 106,
229/108–112, 116.1, 125.05, 395, 409, 902,
229/938

CPC B65D 1/243; B65D 2501/24019;
B65D 2501/24165; B65D 2401/24152; B65D
11/18; B65D 85/32; B65D 85/30; B65B 1/04

See application file for complete search history.

(57) **CLAIM**

The ornamental design for a meal tray retention packaging, substantially as shown and described.

DESCRIPTION

FIG. 1 is a front perspective view of a meal tray retention packaging, showing our new design.

FIG. 2 is a left side view thereof;

FIG. 3 is a right side view thereof;

FIG. 4 is a front view thereof;

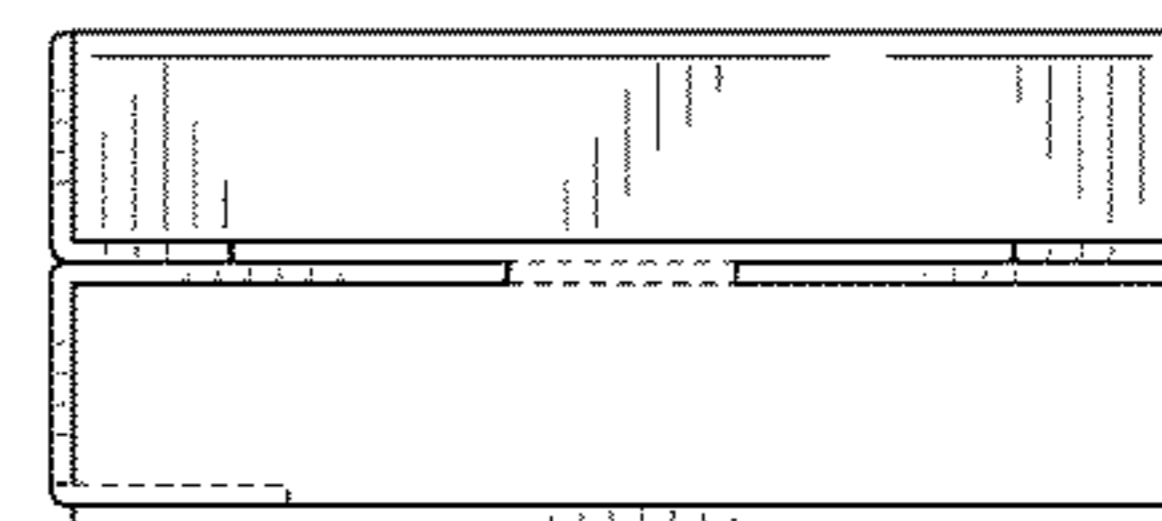
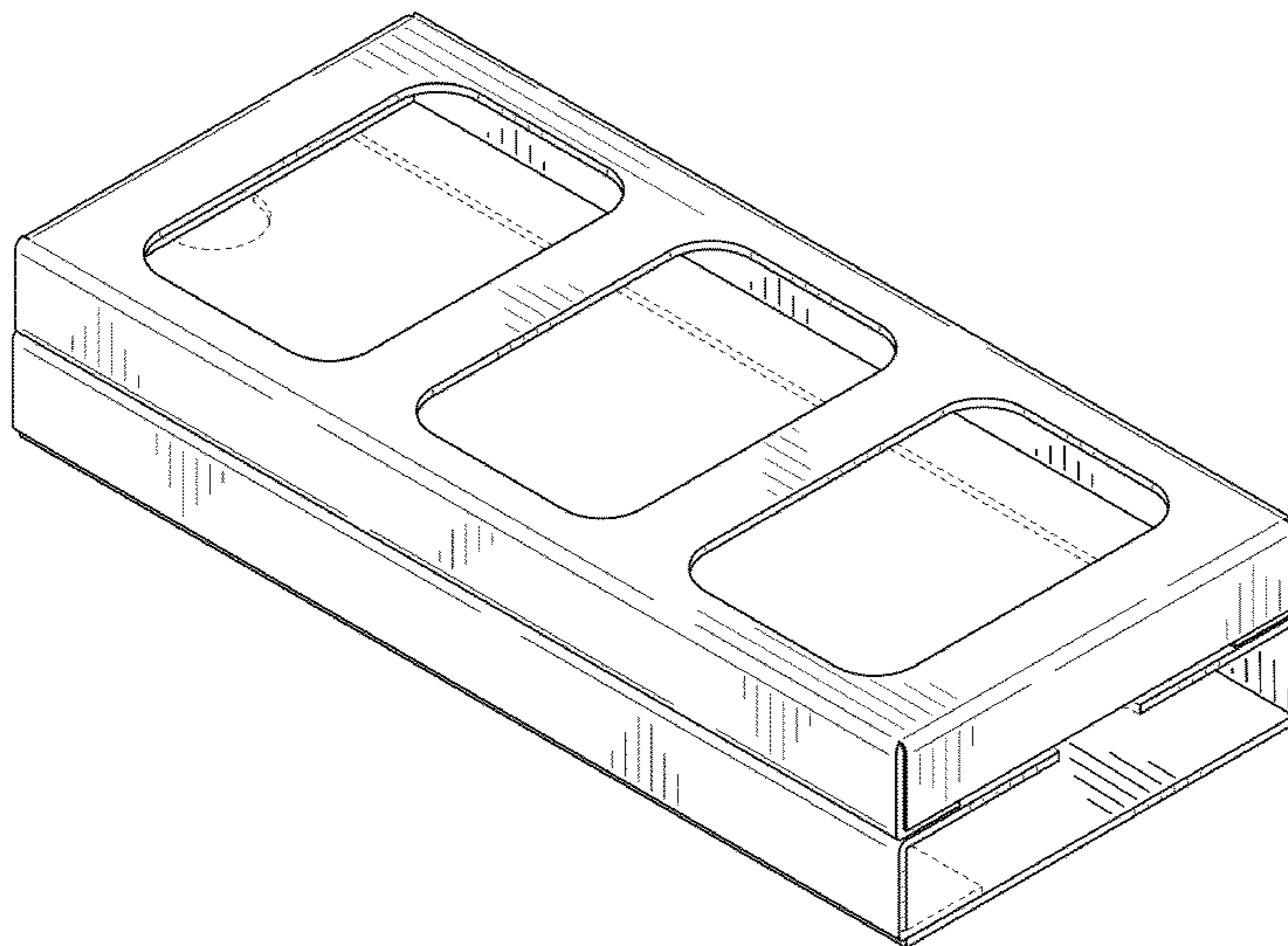
FIG. 5 is a back view thereof;

FIG. 6 is a top view thereof; and,

FIG. 7 is a bottom view thereof.

The broken lines are shown for the purpose of illustrating portions of the article that form no part of the claimed design. The surfaces absent of shading form no part of the claimed design.

1 Claim, 4 Drawing Sheets



(56)

References Cited

U.S. PATENT DOCUMENTS

D339,943 S *	10/1993	Romme	D6/515	D659,551 S *	5/2012	Ramirez	D9/757
D363,856 S *	11/1995	Westbrooks, Jr.	D7/553.2	D664,025 S *	7/2012	Horn	D8/354
D393,591 S *	4/1998	Baryshyan	D9/753	D678,761 S *	3/2013	Cooper	D9/418
D430,436 S *	9/2000	Shimbo	D6/515	D686,842 S *	7/2013	Murphy	D6/515
D434,256 S *	11/2000	Shimbo	D6/515	D690,164 S *	9/2013	Lock	D7/553.2
D545,096 S *	6/2007	Simpson	D6/515	D691,035 S *	10/2013	Sill	D9/418
				D693,217 S *	11/2013	Sill	D9/418
				D693,679 S *	11/2013	Sill	D9/423
				D697,791 S *	1/2014	Jones	D9/423

* cited by examiner

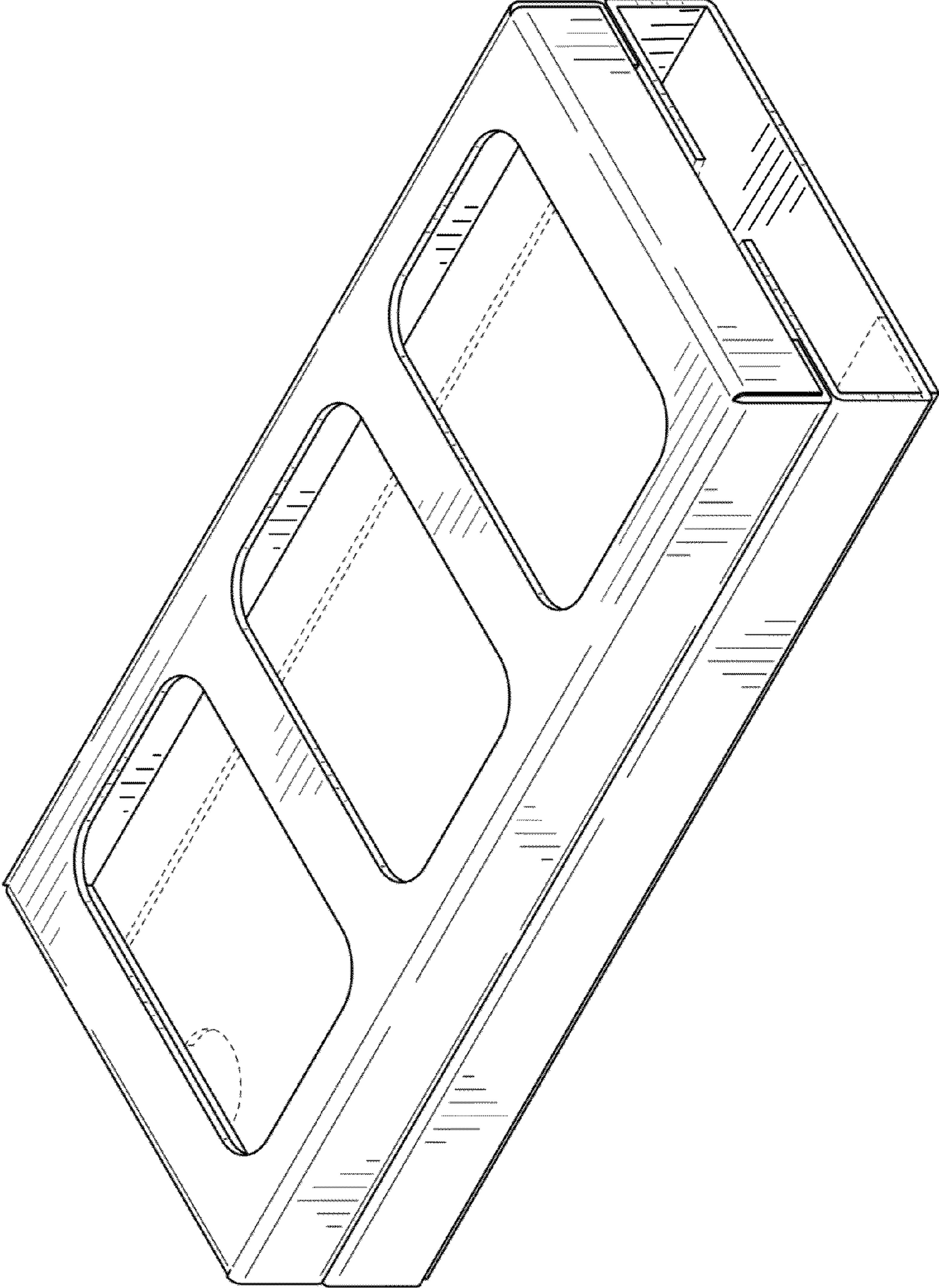


FIG. 1

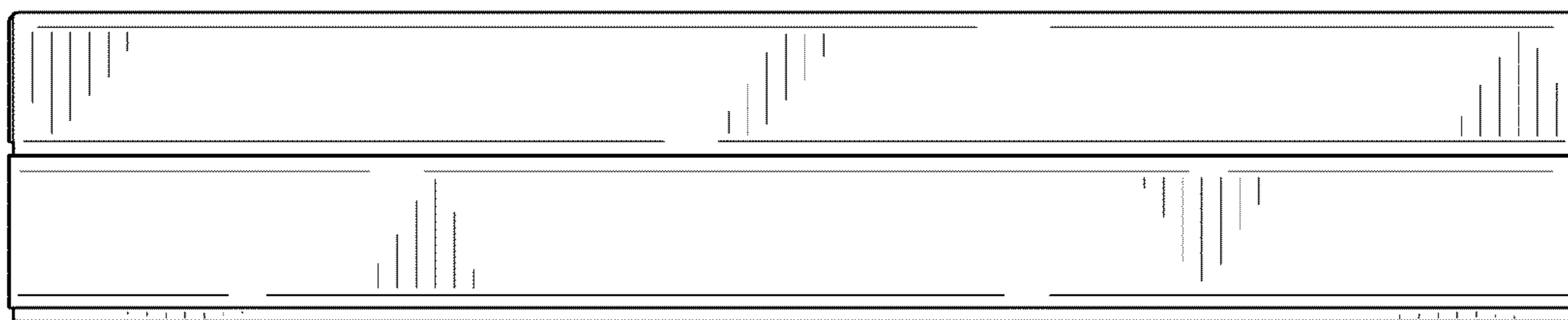


FIG. 2

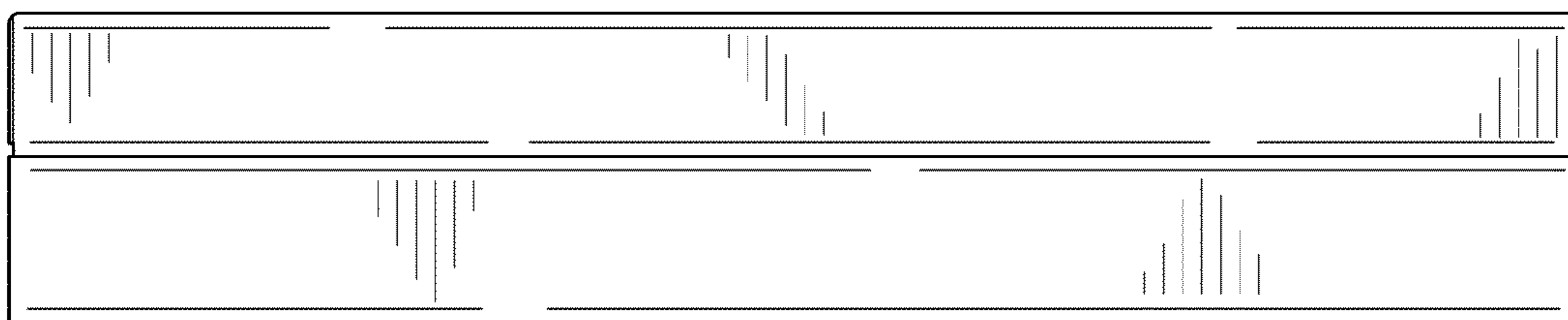


FIG. 3

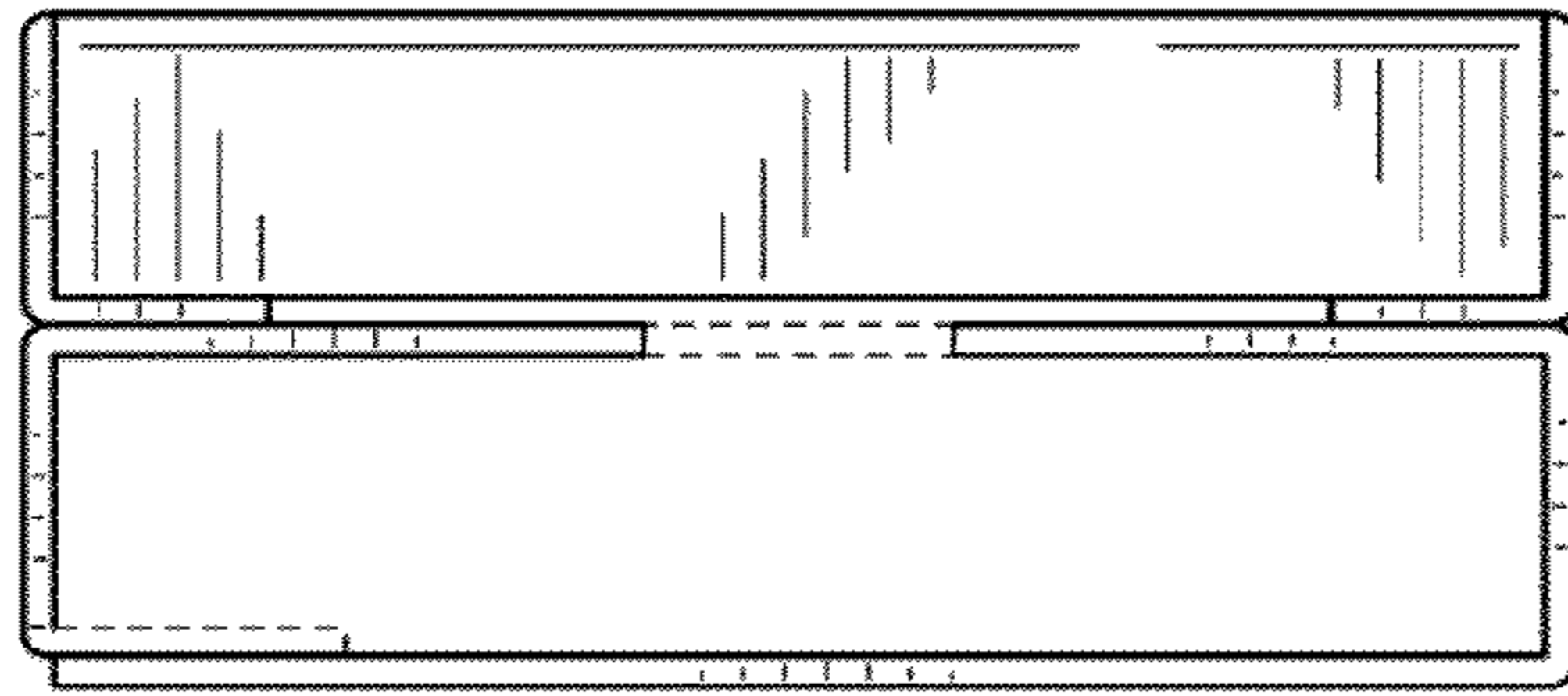


FIG. 4

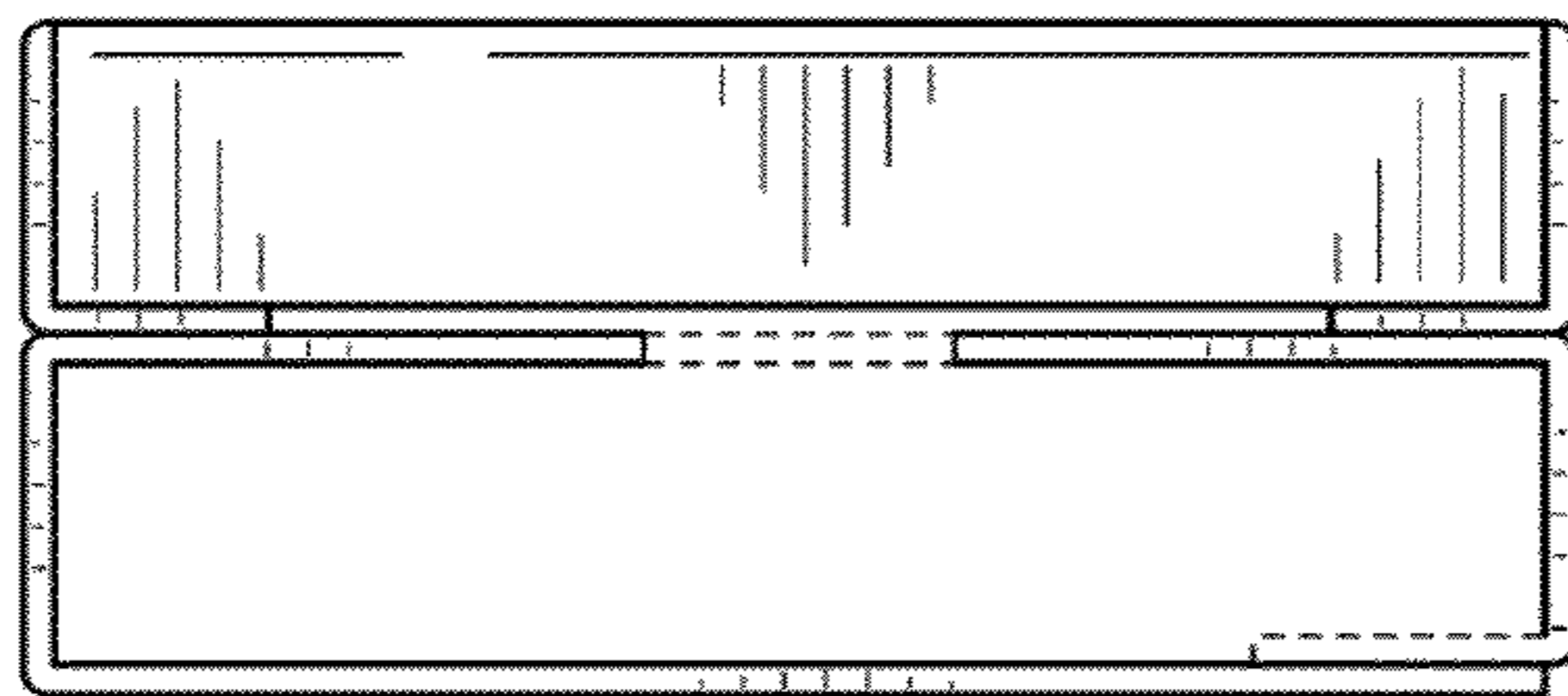


FIG. 5

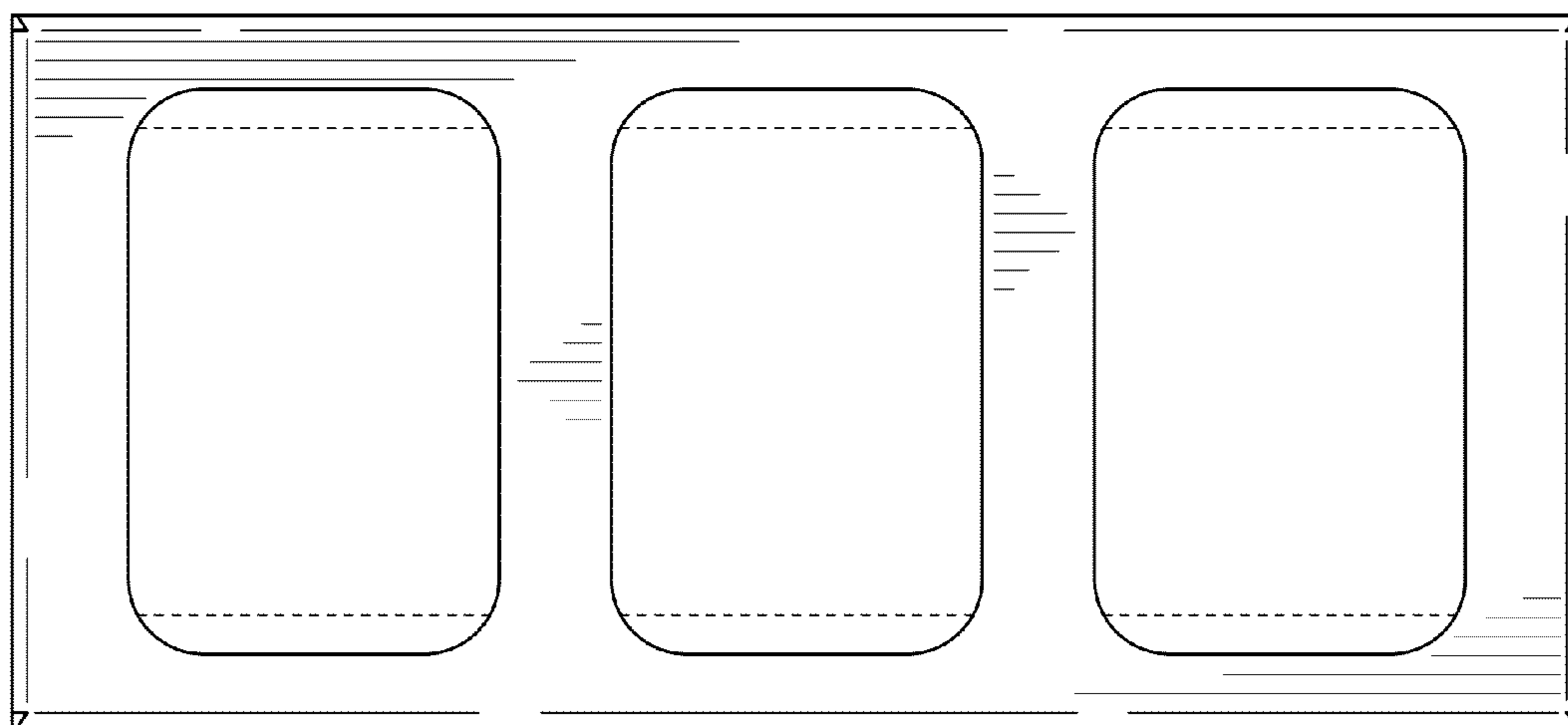


FIG. 6

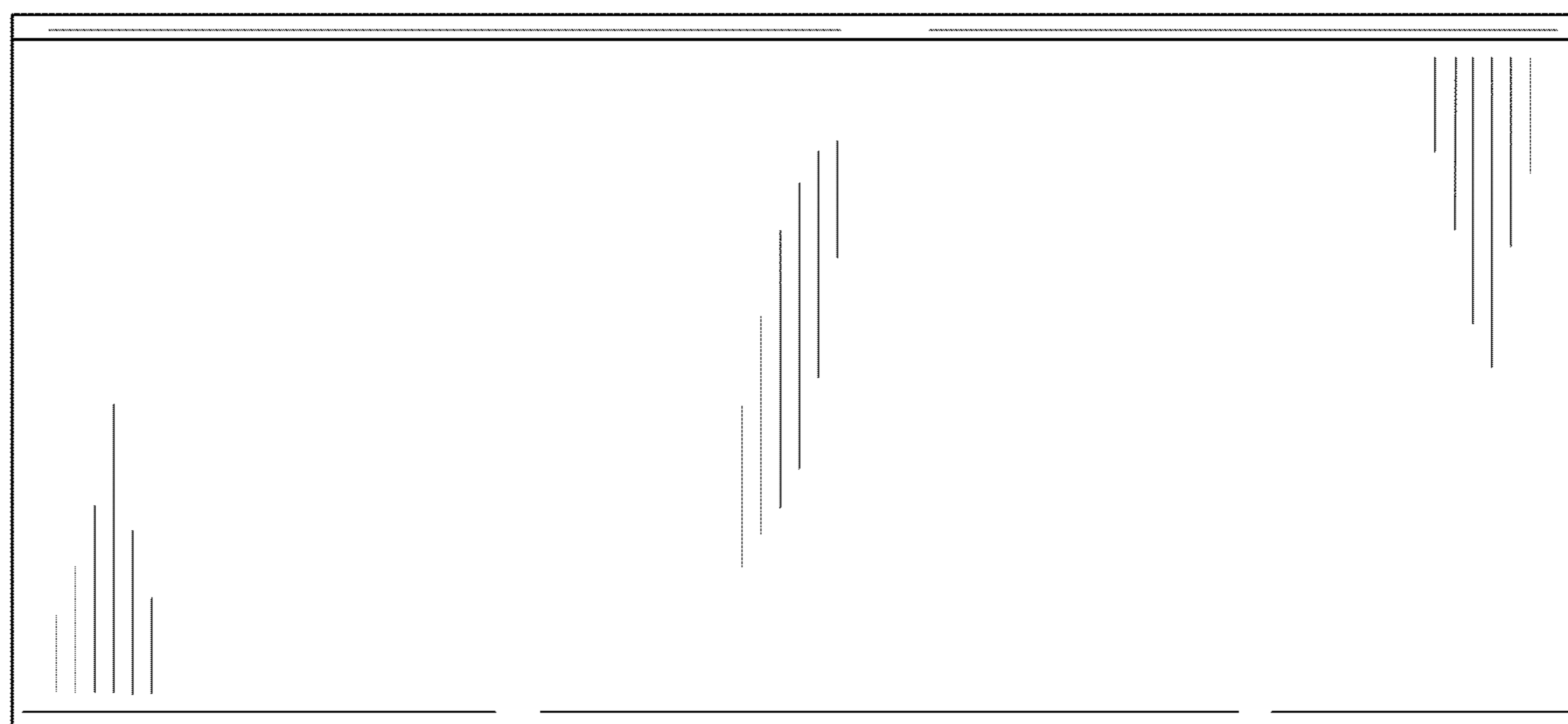


FIG. 7