



US00D758189S

(12) **United States Design Patent**
Roth et al.

(10) **Patent No.:** **US D758,189 S**
(45) **Date of Patent:** **** Jun. 7, 2016**

(54) **LID FOR CONTAINER WITH ROTATABLE RECLOSABLE SPOUT**

D686,871 S * 7/2013 Lane D7/392.1
D702,079 S * 4/2014 Hung D7/392.1
D747,137 S * 1/2016 Hakim D7/396.2

(71) Applicant: **Cool Gear International, LLC**,
Plymouth, MA (US)

* cited by examiner

(72) Inventors: **Donna Roth**, Duxbury, MA (US);
Marcus Hanna, Stamford, CT (US)

Primary Examiner — Robert M Spear
(74) *Attorney, Agent, or Firm* — Mintz Levin Cohn Ferris
Glovsky and Popeo, P.C.; Steven M. Jensen; Richard B.
Emmons

(73) Assignee: **Cool Gear International, LLC**,
Plymouth, MA (US)

(**) Term: **14 Years**

(57) **CLAIM**
The ornamental design for a lid for container with rotatable reclosable spout, as shown and described.

(21) Appl. No.: **29/490,810**

DESCRIPTION

(22) Filed: **May 13, 2014**

(51) **LOC (10) Cl.** **09-07**

(52) **U.S. Cl.**
USPC **D9/449**; D7/392.1

(58) **Field of Classification Search**
USPC D9/435, 436, 438, 440, 443, 447, 449,
D9/453, 454; D7/392.1, 396.2
CPC B65D 41/04; B65D 51/00
See application file for complete search history.

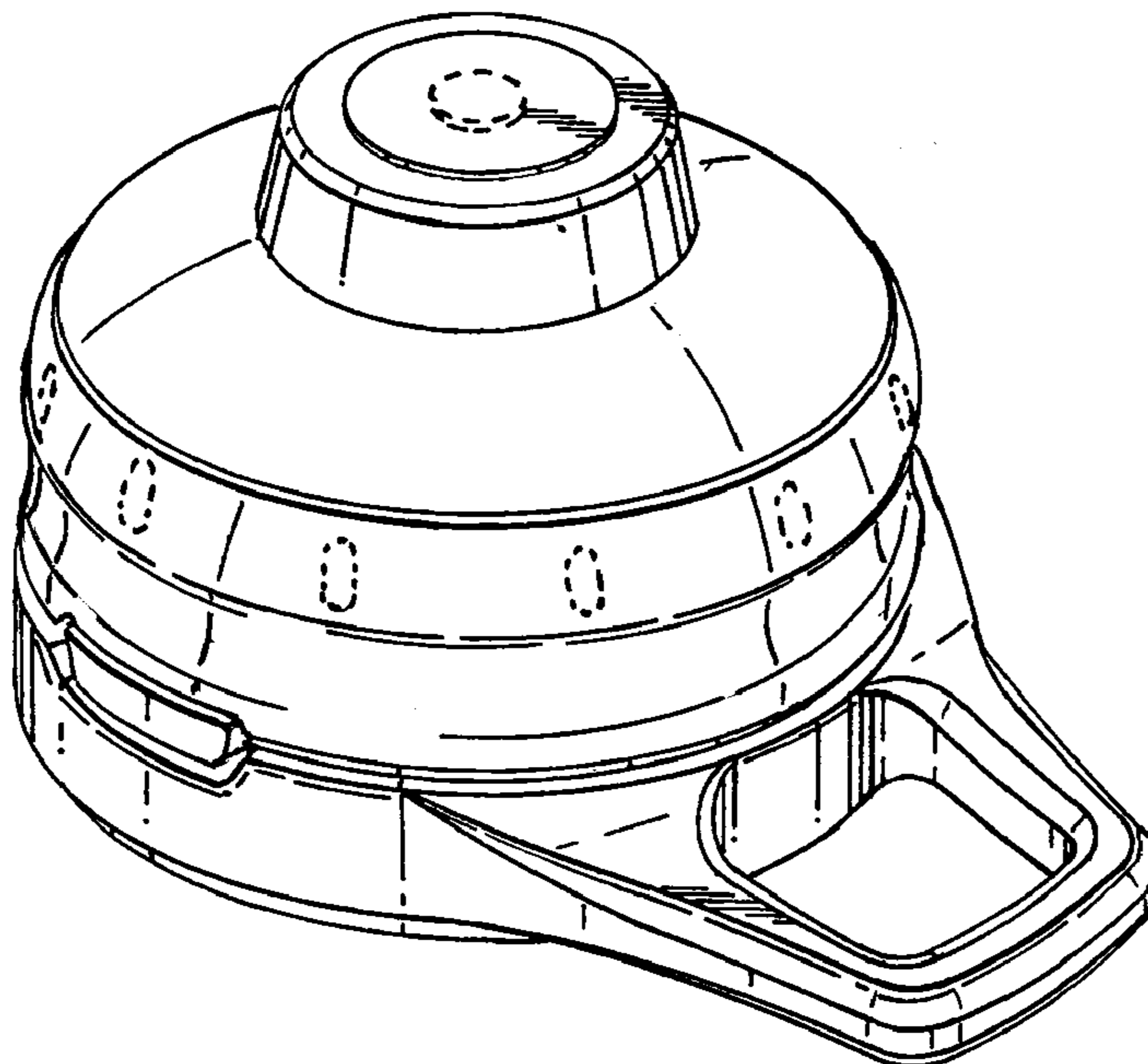
FIG. 1 is a perspective view of the top, right, and front side of a lid for container with rotatable reclosable spout; FIG. 2 is a front side elevation view of the lid for container with rotatable reclosable spout shown in FIG. 1; FIG. 3 is a back side elevation view of the lid for container with rotatable reclosable spout shown in FIG. 1; FIG. 4 is a right side elevation view of the lid for container with rotatable reclosable spout shown in FIG. 1; FIG. 5 is a left side elevation view of the lid for container with rotatable reclosable spout shown in FIG. 1; FIG. 6 is a top side plan view of the lid for container with rotatable reclosable spout shown in FIG. 1; and, FIG. 7 is a bottom side plan view of the lid for container with rotatable reclosable spout shown in FIG. 1. The broken lines in the drawings represent unclaimed environmental subject matter and form no part of the claim.

(56) **References Cited**

U.S. PATENT DOCUMENTS

D373,928 S * 9/1996 Green D7/392.1
D381,243 S * 7/1997 Goto D7/392
D441,290 S * 5/2001 West D7/392.1
D572,078 S * 7/2008 Bhavnani D7/392.1
D584,102 S * 1/2009 Valderrama D7/392.1
D584,103 S * 1/2009 Valderrama D7/392.1

1 Claim, 4 Drawing Sheets



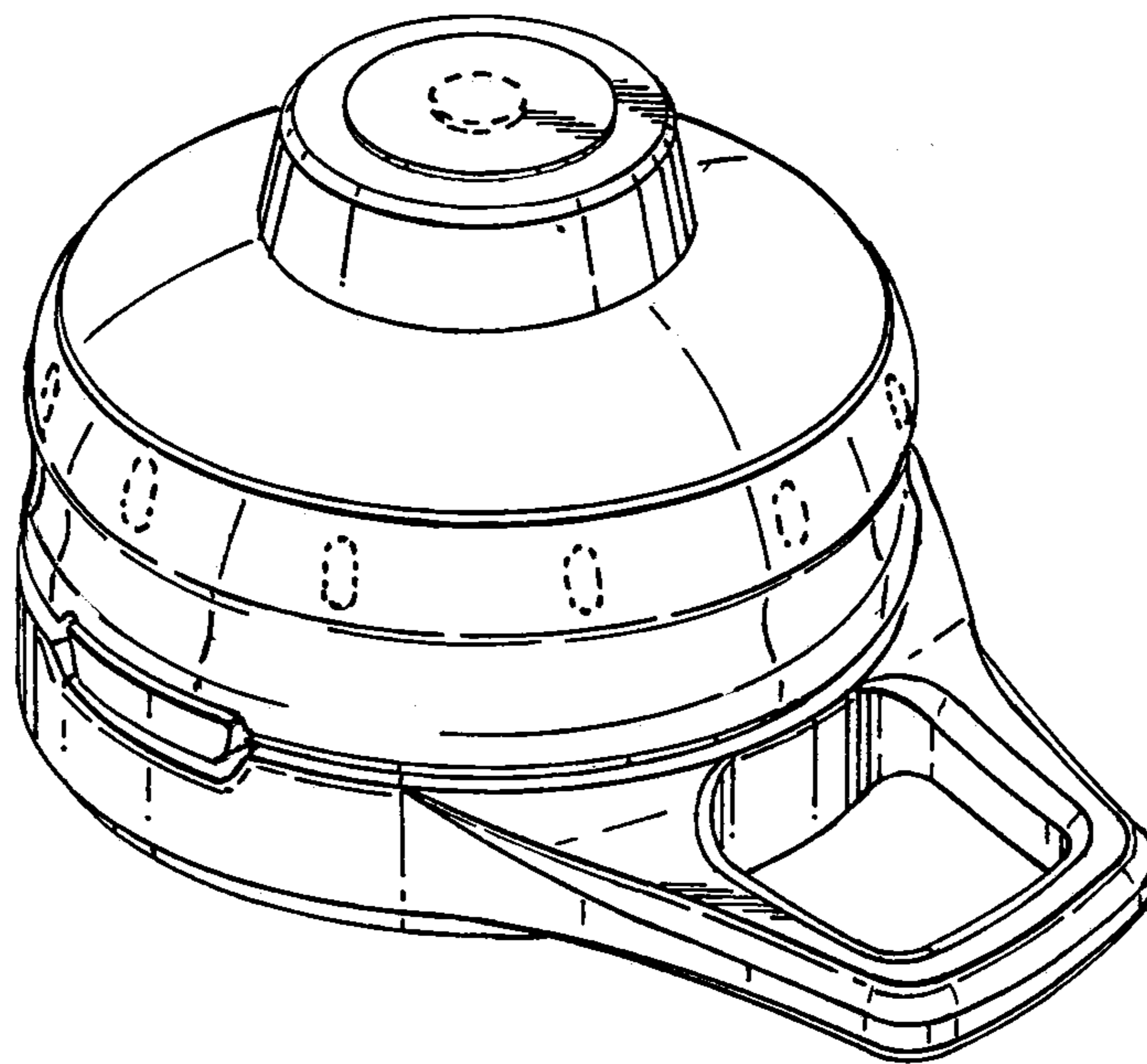


Fig. 1

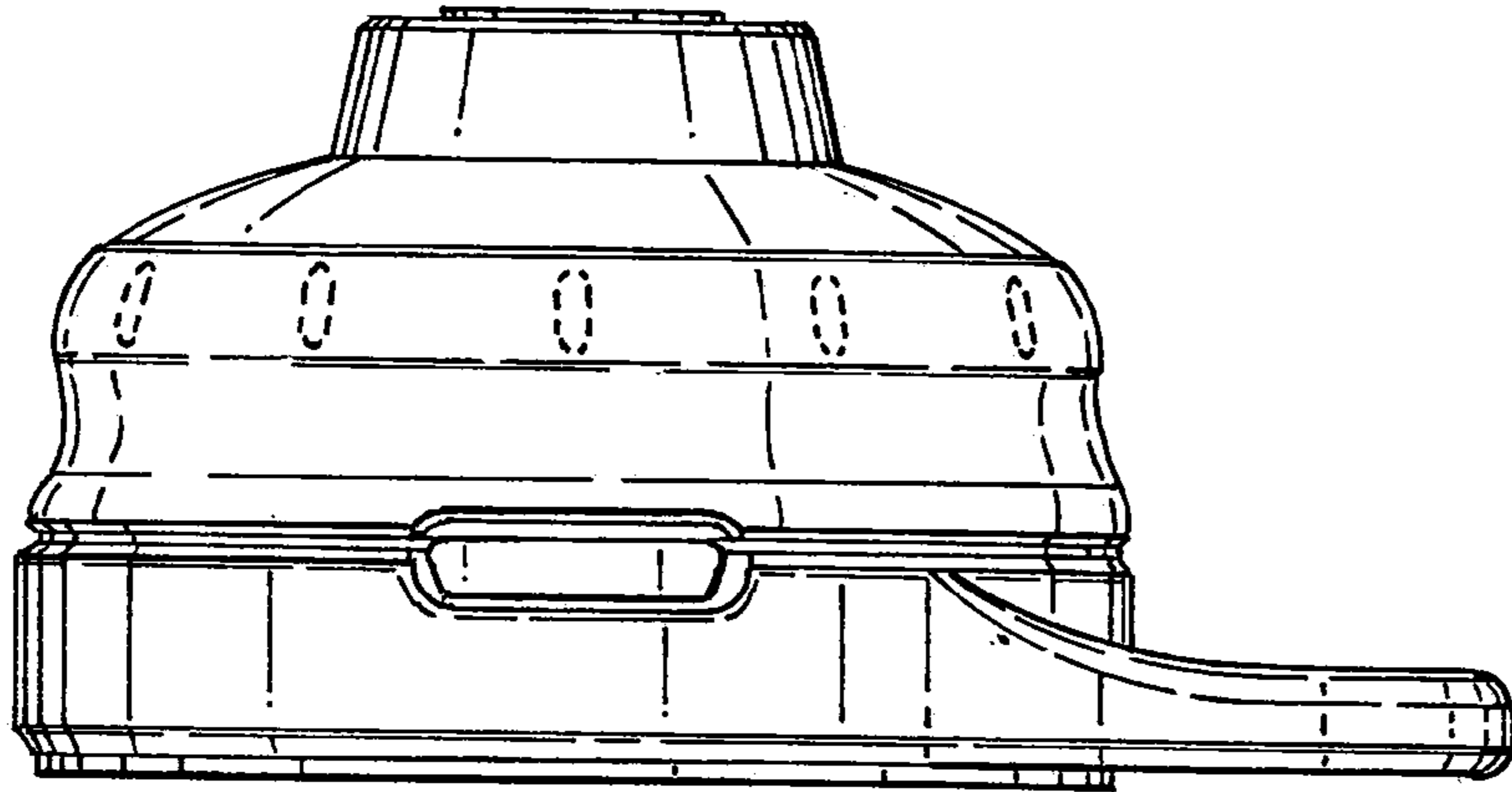


Fig. 2

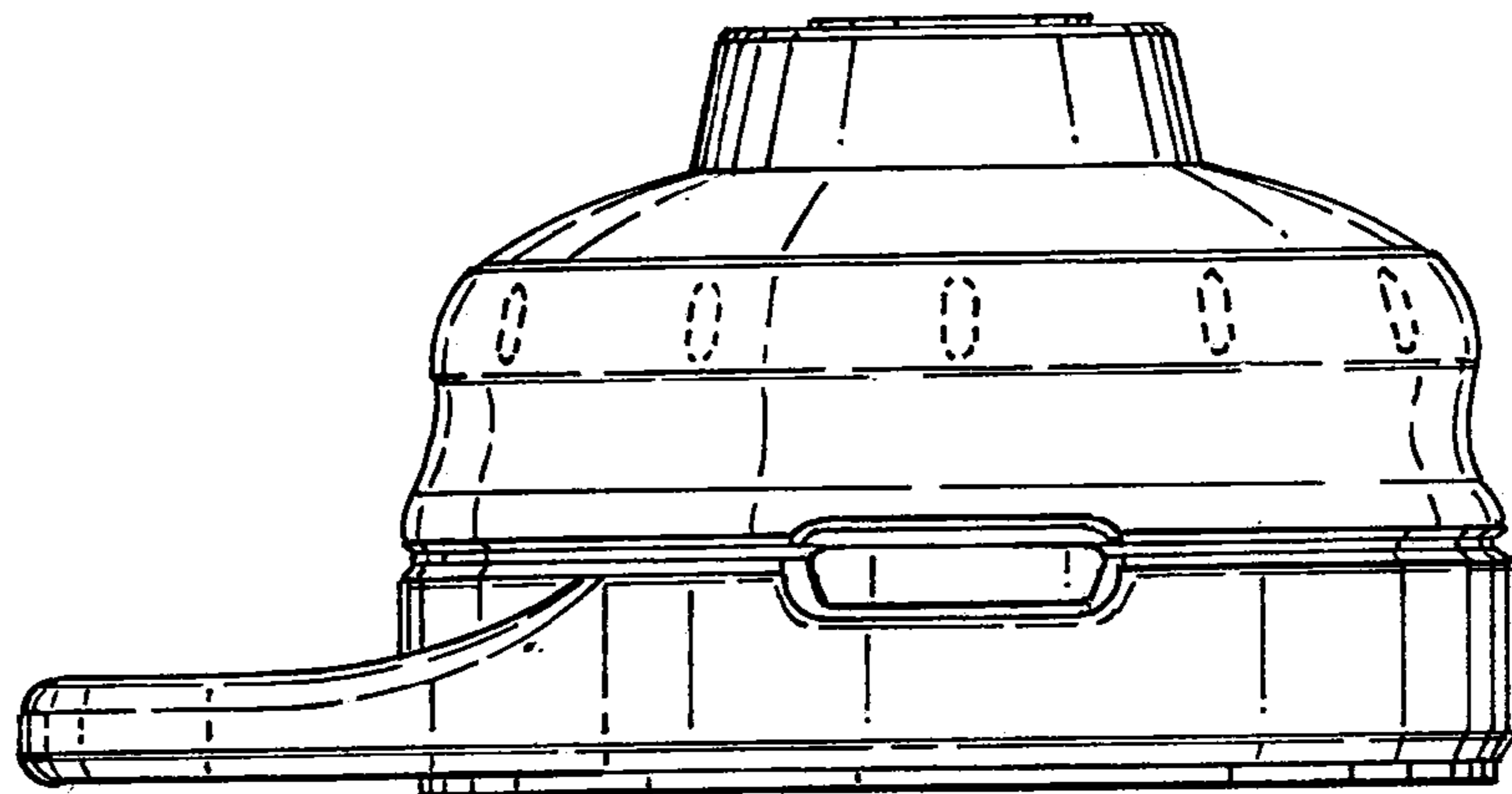


Fig. 3

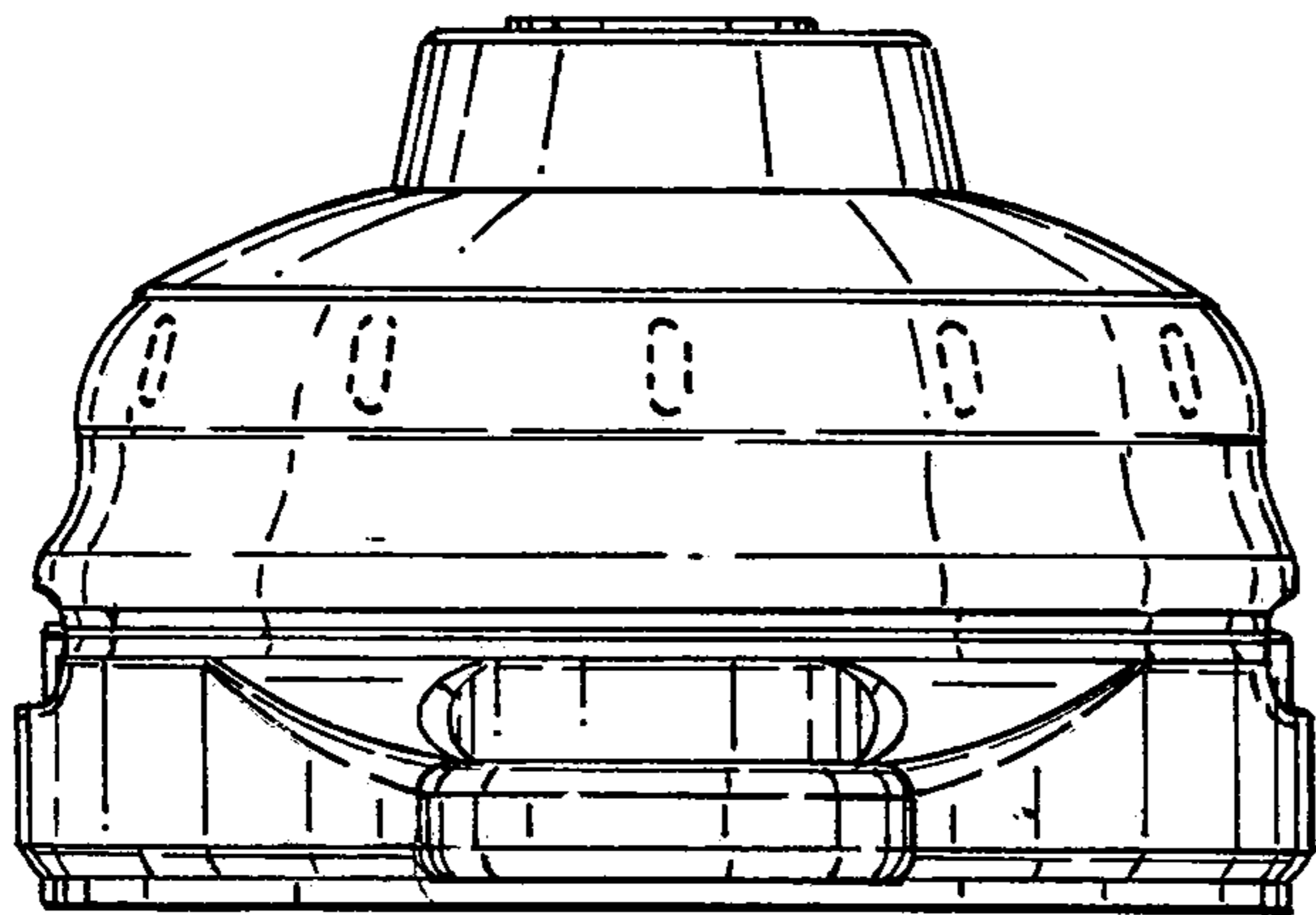


Fig. 4

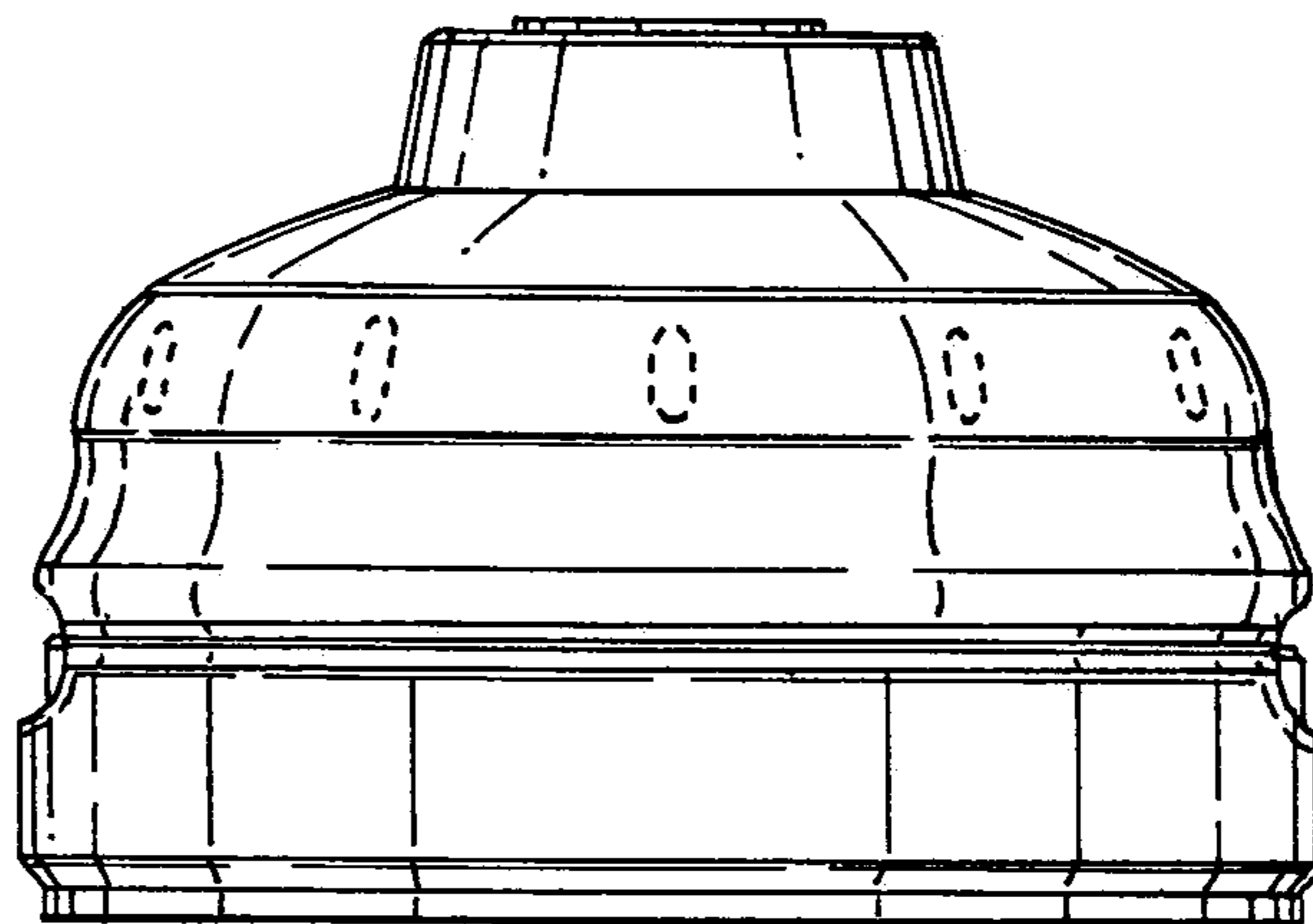


Fig. 5

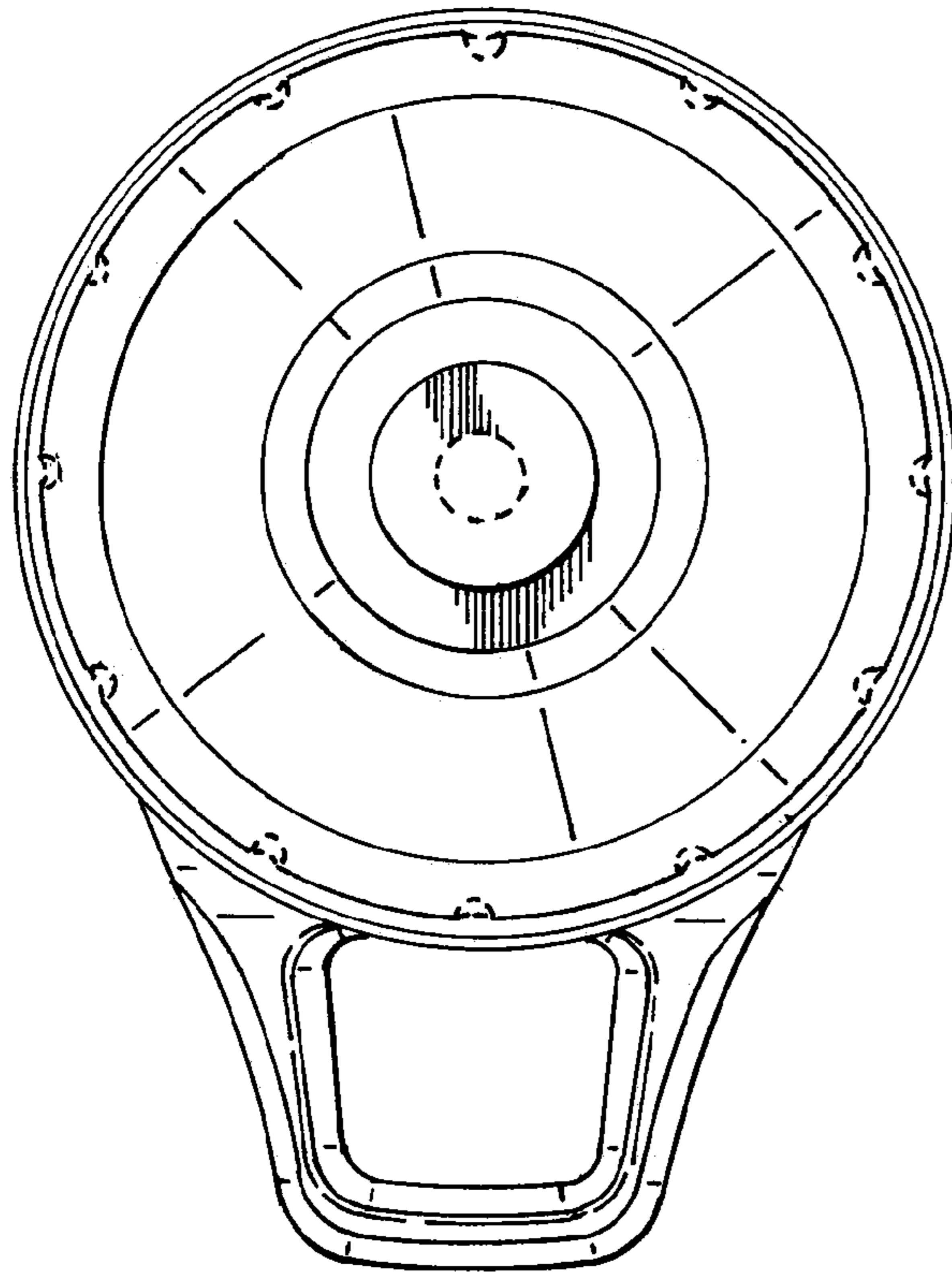


Fig. 6

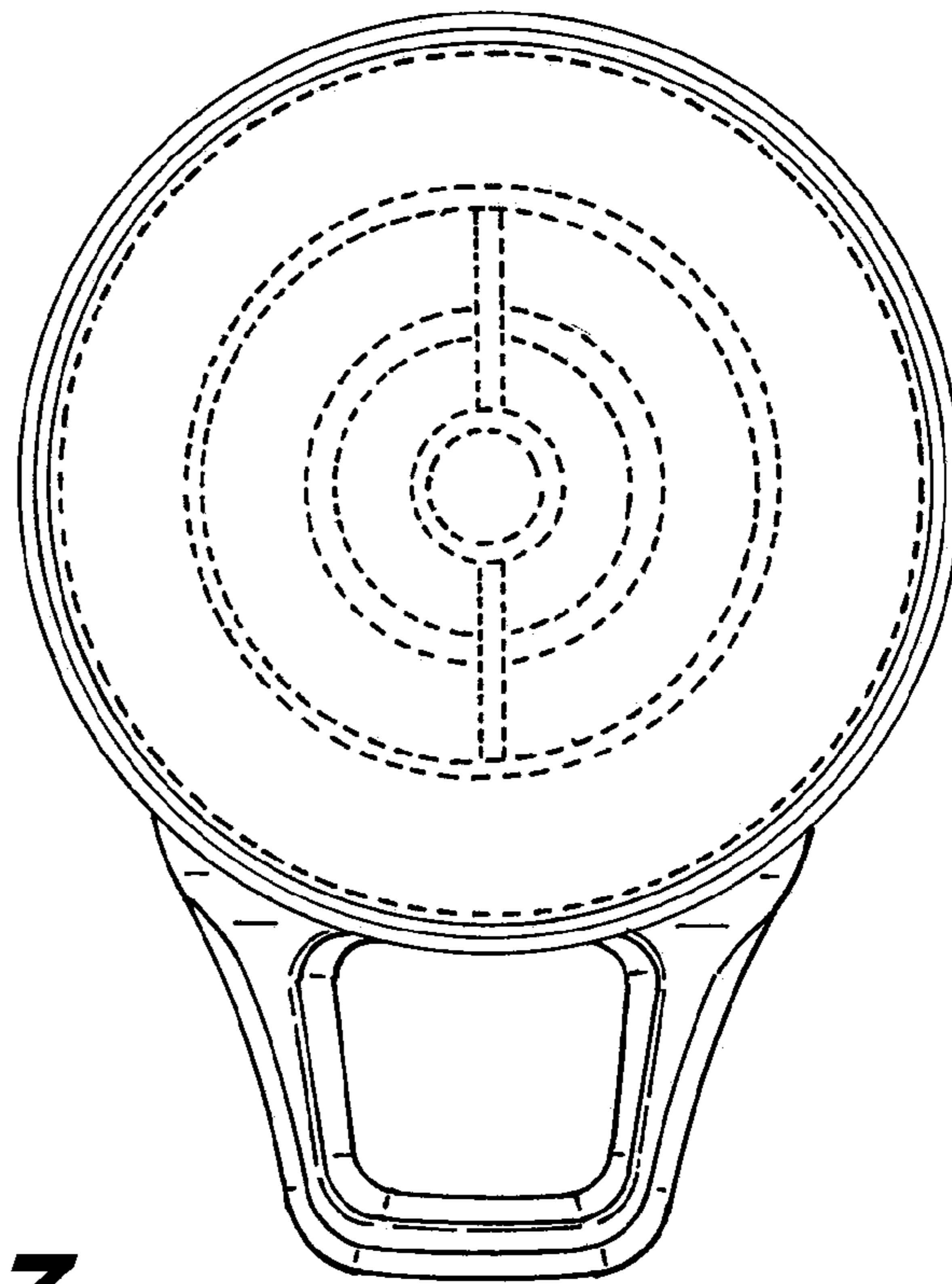


Fig. 7