



US00D758188S

(12) **United States Design Patent**
Beard

(10) **Patent No.:** **US D758,188 S**

(45) **Date of Patent:** **** Jun. 7, 2016**

(54) **BAG CLOSURE**

(71) Applicant: **Lynne-Marie Beard**, Westlake Village,
CA (US)

(72) Inventor: **Lynne-Marie Beard**, Westlake Village,
CA (US)

(**) Term: **14 Years**

(21) Appl. No.: **29/509,019**

(22) Filed: **Nov. 13, 2014**

(51) **LOC (10) CL.** **09-07**

(52) **U.S. CL.**
USPC **D9/443; D9/451**

(58) **Field of Classification Search**
USPC D5/37; D7/551.2, 576, 582, 683, 686,
D7/708.1; D9/415, 434-436, 441, 443,
D9/451, 455, 457, 600, 661, 662; D19/99,
D19/153, 170, 196; 119/72-72.5; 206/457,
206/459.1; 220/890

CPC B65D 59/00; B65D 67/00
See application file for complete search history.

(56) **References Cited**

U.S. PATENT DOCUMENTS

D31,966 S *	12/1899	Straub	D32/61
D48,432 S *	1/1916	Bagnulo	D9/622
D70,790 S *	8/1926	Grunberg	D11/117
D116,440 S *	9/1939	Wanpouille Bergaud	D9/661
D160,635 S *	10/1950	Lawlor	D9/444
D194,683 S *	2/1963	Clegg	D30/125
D259,094 S *	5/1981	Weckman	D9/529
D299,405 S *	1/1989	Bothmann	D7/686
D507,724 S *	7/2005	Bertulis	D7/686
D519,332 S *	4/2006	Sanchez	D7/686
D533,035 S *	12/2006	Bodum	D7/686

D537,358 S *	2/2007	Donegan	D30/125
D542,147 S *	5/2007	Donegan	D30/125
7,806,081 B2 *	10/2010	Colvin	A01K 39/02 119/72
D632,583 S *	2/2011	Eisenberger	D9/661
D685,267 S *	7/2013	Stout	D24/224
D717,130 S *	11/2014	Zemel	D7/686
D723,880 S *	3/2015	Henry	D7/686

* cited by examiner

Primary Examiner — Robert M Spear

Assistant Examiner — Darcey E Heflin

(74) *Attorney, Agent, or Firm* — Koppel, Patrick, Heybl & Philpott

(57) **CLAIM**

The ornamental design for a bag closure, as shown and described.

DESCRIPTION

FIG. 1 is a top, front, left side perspective view of an embodiment of a bag closure incorporating features of the present invention.

FIG. 2 is a front elevation view of FIG. 1.

FIG. 3 is a right side elevation view of FIG. 1.

FIG. 4 is a left side elevation view of FIG. 1.

FIG. 5 is a rear elevation view of FIG. 1.

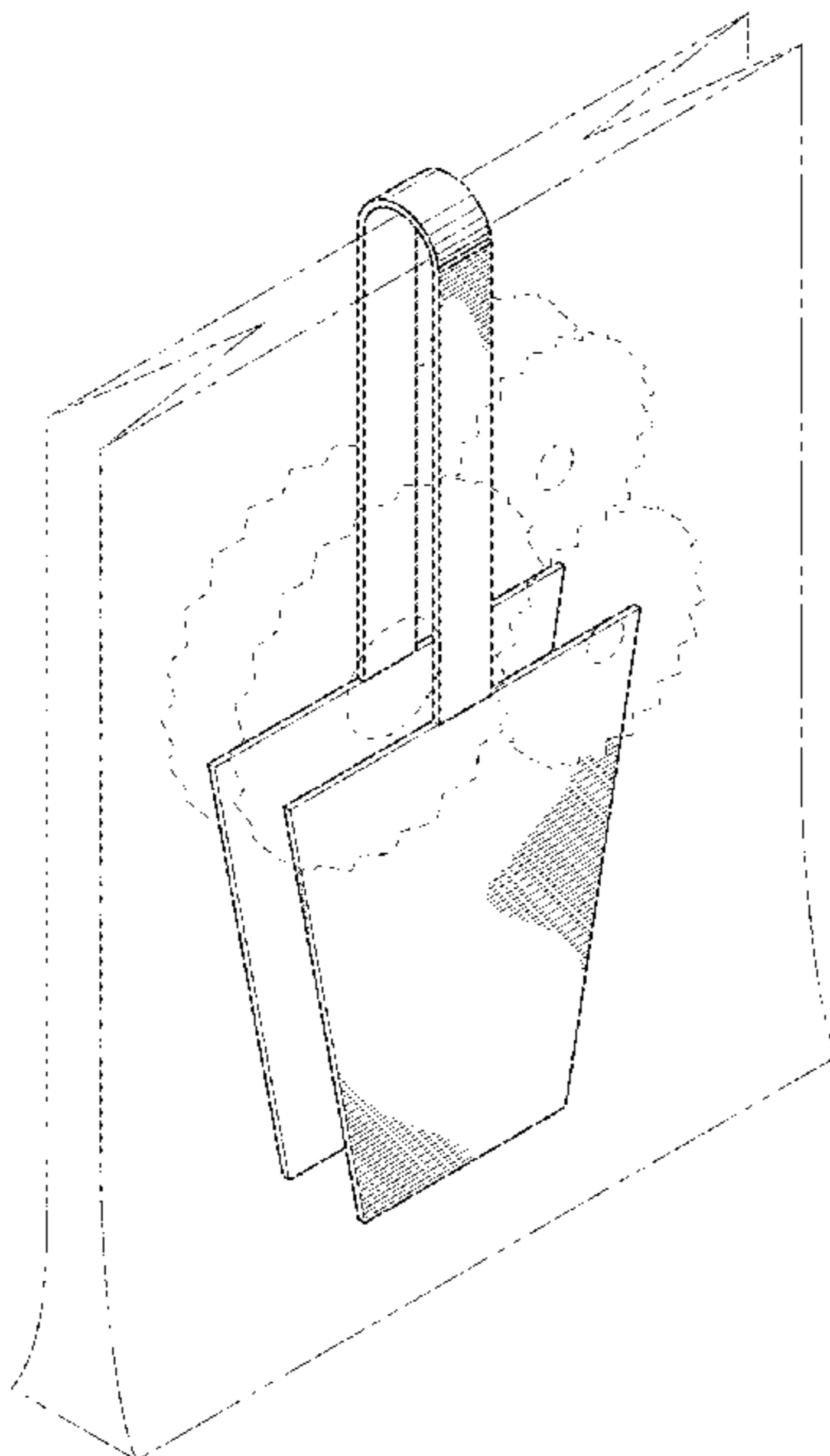
FIG. 6 is a top plan view of FIG. 1.

FIG. 7 is a bottom plan view of FIG. 1; and,

FIG. 8 is a cross-sectional view taken along line 8-8 of FIG. 3 of the embodiment of FIG. 1.

The broken lines shown in the above figures depict environmental subject matter only and form no part of the claimed design in those embodiments.

1 Claim, 4 Drawing Sheets



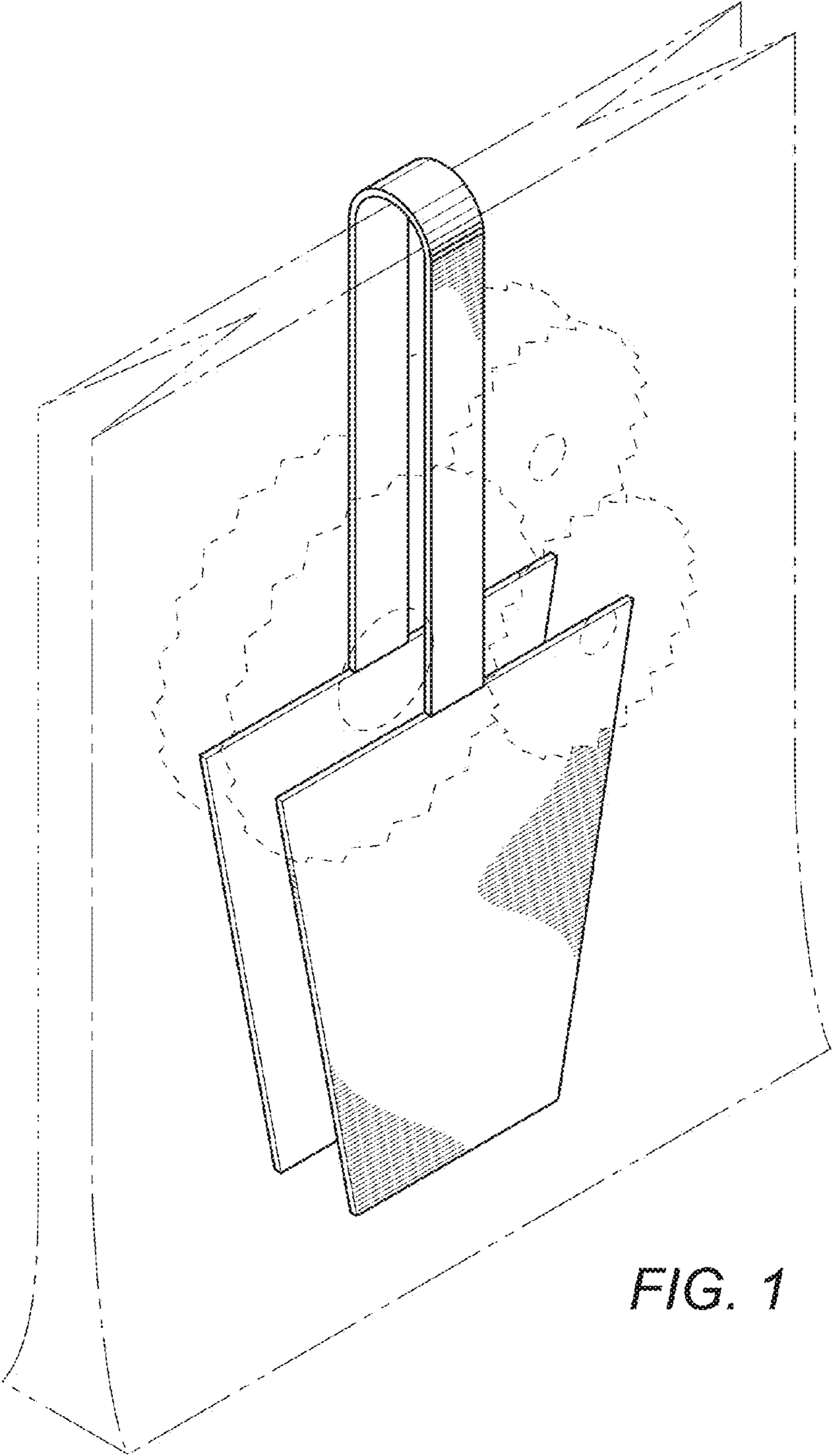


FIG. 1

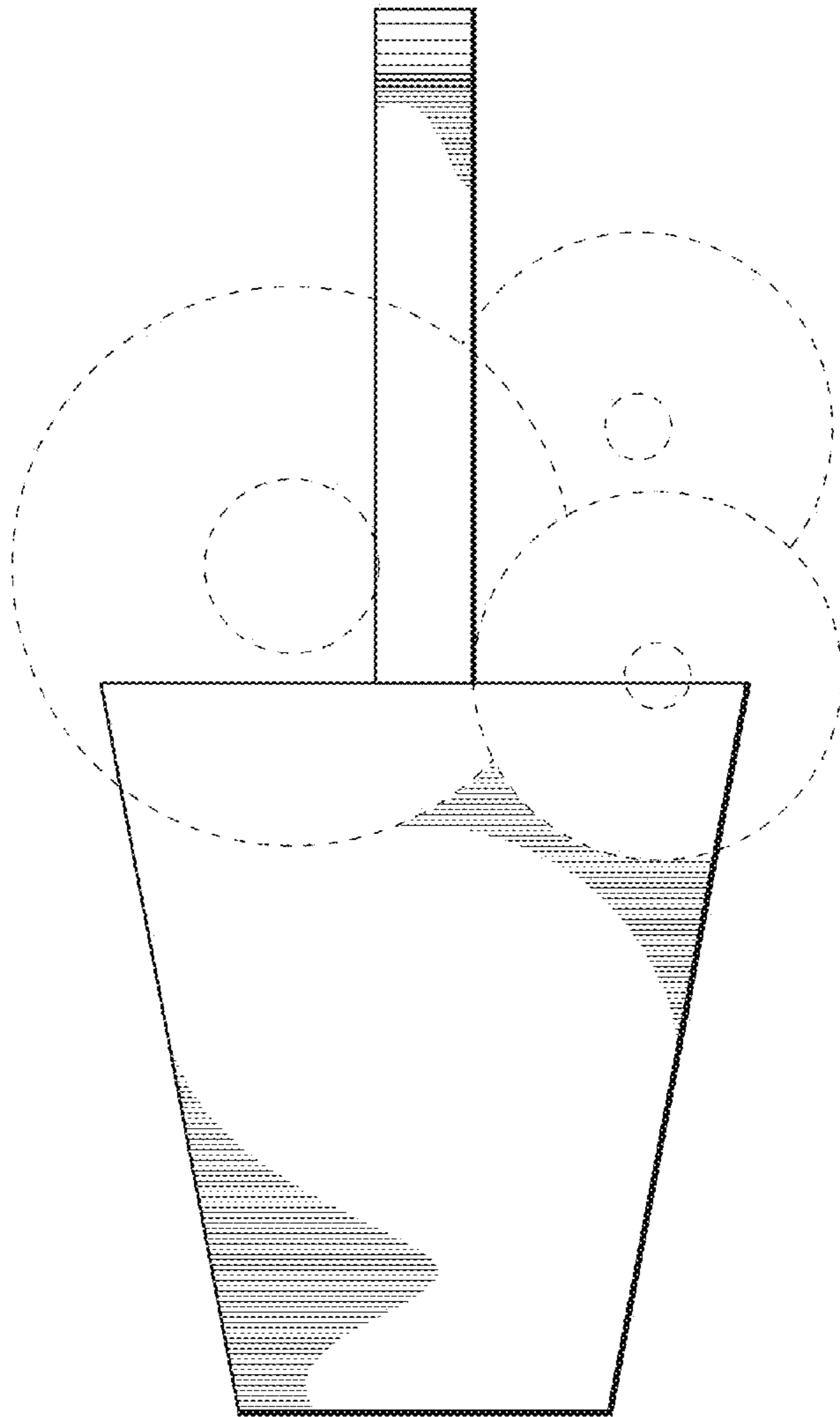


FIG. 2

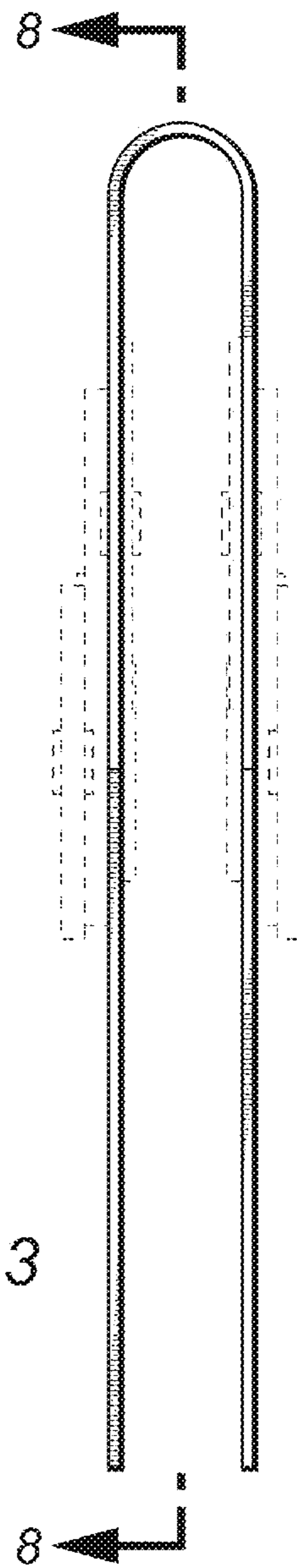


FIG. 3

FIG. 4

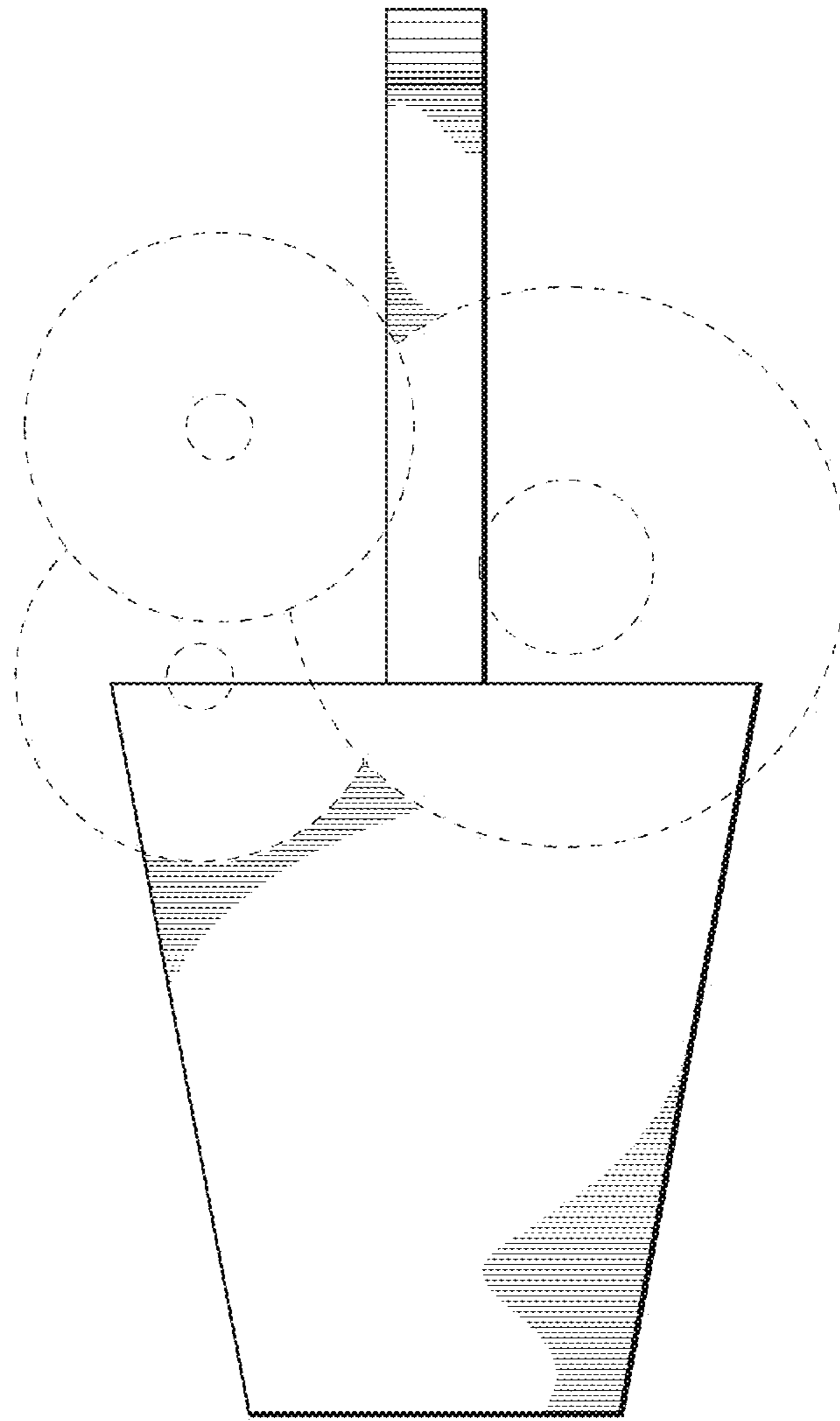
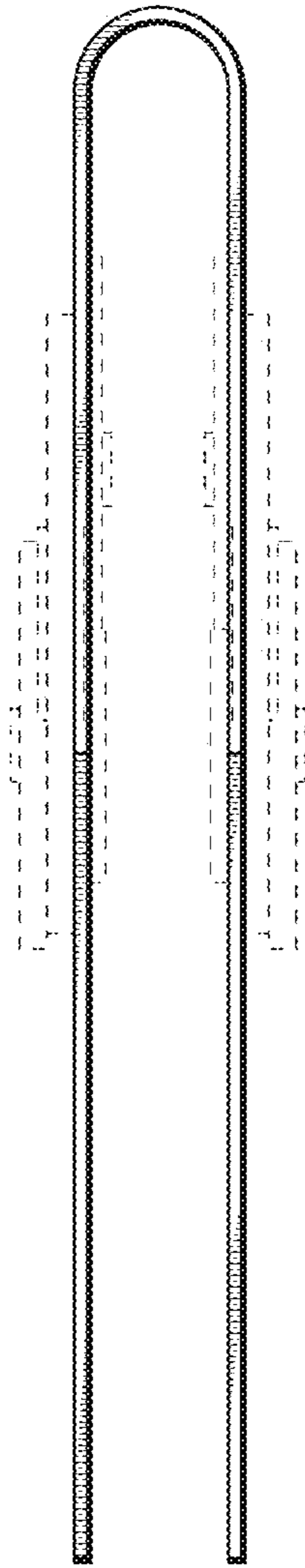
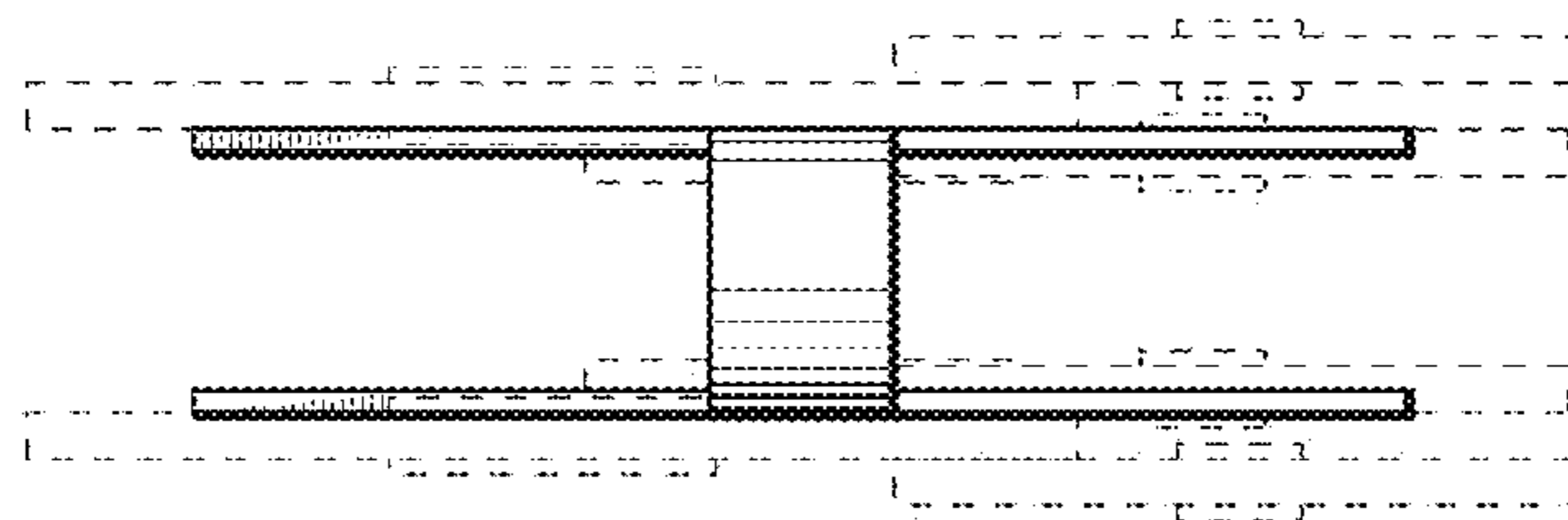


FIG. 5

FIG. 6



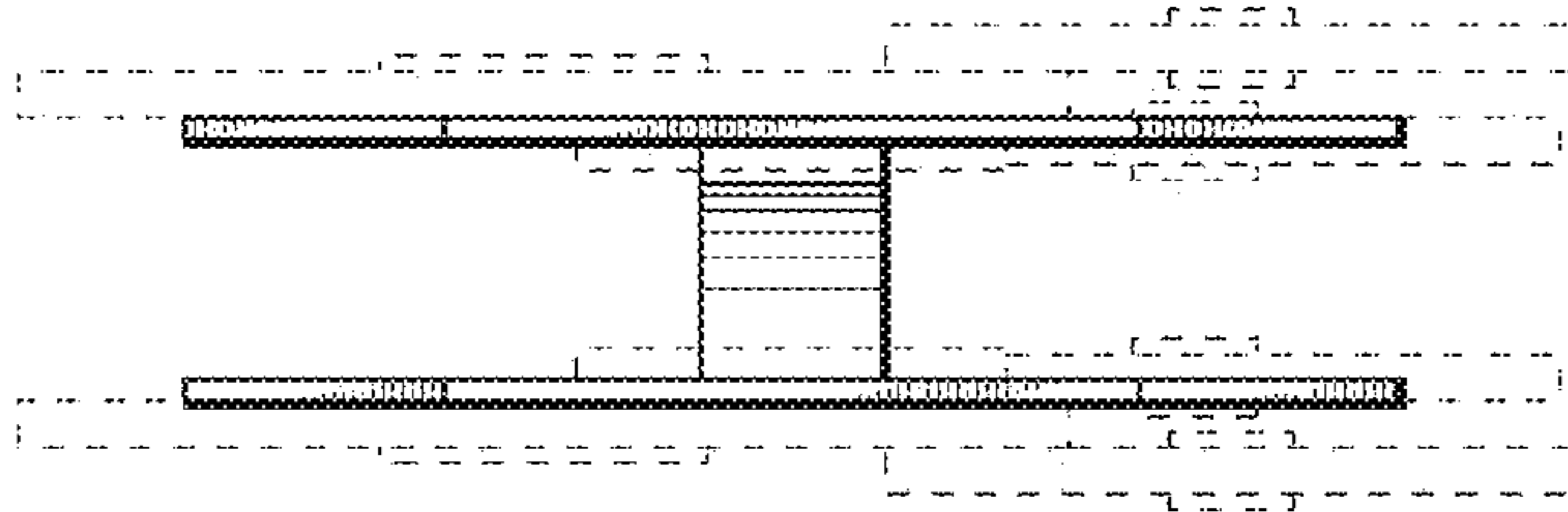


FIG. 7

FIG. 8

