

US00D758187S

(12) **United States Design Patent**  
**Kotyuk**

(10) **Patent No.:** **US D758,187 S**

(45) **Date of Patent:** **\*\* Jun. 7, 2016**

(54) **BEVERAGE LID WITH INTEGRATED  
CONDIMENT WELL**

(71) Applicant: **Andrew F. Kotyuk**, San Jacinto, CA  
(US)

(72) Inventor: **Andrew F. Kotyuk**, San Jacinto, CA  
(US)

(\*\*) Term: **15 Years**

(21) Appl. No.: **29/528,137**

(22) Filed: **May 26, 2015**

**Related U.S. Application Data**

(62) Division of application No. 29/491,779, filed on May 23, 2014, now Pat. No. Des. 731,889, which is a division of application No. 29/446,613, filed on Feb. 26, 2013, now Pat. No. Des. 713,248.

(51) **LOC (10) Cl.** ..... **09-07**

(52) **U.S. Cl.**  
USPC ..... **D9/436; D9/454**

(58) **Field of Classification Search**  
USPC ..... D7/401, 510, 900; D9/434, 435, 436,  
D9/438, 445, 452, 453, 454; D24/224;  
215/200, 235, 236, 252, 254, 329,  
215/355-364; 220/556  
CPC ..... B65D 2231/022; B65D 1/26; B65D  
2543/00027; B65D 2543/00046; B65D  
2543/00842

See application file for complete search history.

(56) **References Cited**

**U.S. PATENT DOCUMENTS**

4,848,579 A 7/1989 Barnes  
5,722,558 A 3/1998 Thompson

(Continued)

**OTHER PUBLICATIONS**

Kotyuk; U.S. Appl. No. 29/446,613, filed Feb. 26, 2013.

(Continued)

*Primary Examiner* — Robert M Spear

*Assistant Examiner* — Marissa J Cash

(74) *Attorney, Agent, or Firm* — Fitch, Even, Tabin & Flannery LLP

(57) **CLAIM**

I claim the ornamental design for a beverage lid with integrated condiment well, as shown and described.

**DESCRIPTION**

FIG. 1 is a perspective view of a beverage lid with integrated condiment well in accordance with a first embodiment of my new design;

FIG. 2 is a top plan view thereof;

FIG. 3 is a front elevational view thereof, the back elevational view being identical thereto;

FIG. 4 is a right side elevational view thereof, the left side elevational view being a mirror image thereof;

FIG. 5 is a bottom plan view thereof;

FIG. 6 is a perspective view of a beverage lid with integrated condiment well in accordance with a second embodiment of my new design;

FIG. 7 is a top plan view thereof;

FIG. 8 is a front elevational view thereof, the back elevational view being identical thereto;

FIG. 9 is a left side elevational view thereof, the right side elevational view being a mirror image thereof;

FIG. 10 is a bottom plan view thereof;

FIG. 11 is a perspective view of a beverage lid with integrated condiment well in accordance with a third embodiment of my new design;

FIG. 12 is a top plan view thereof;

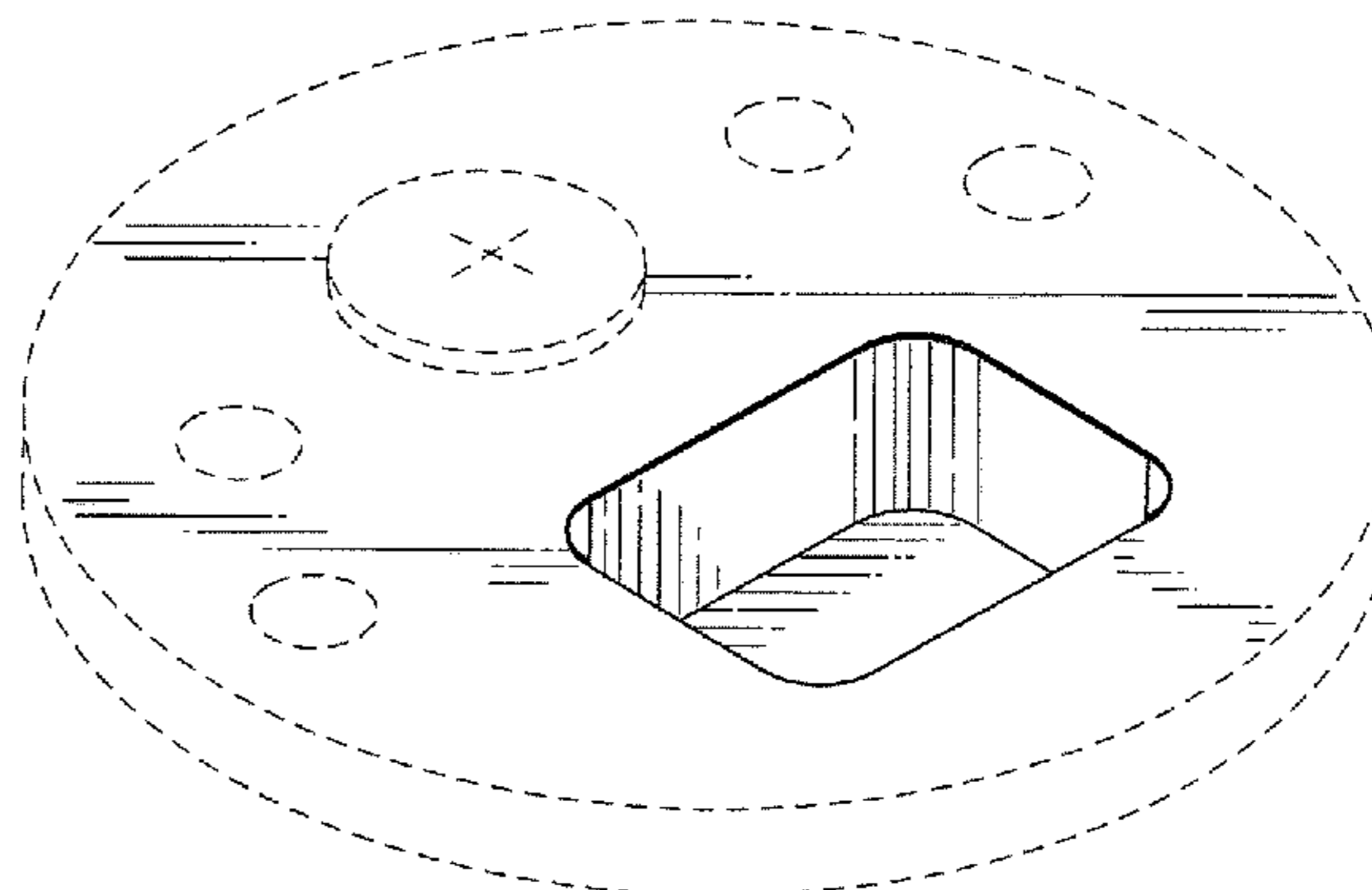
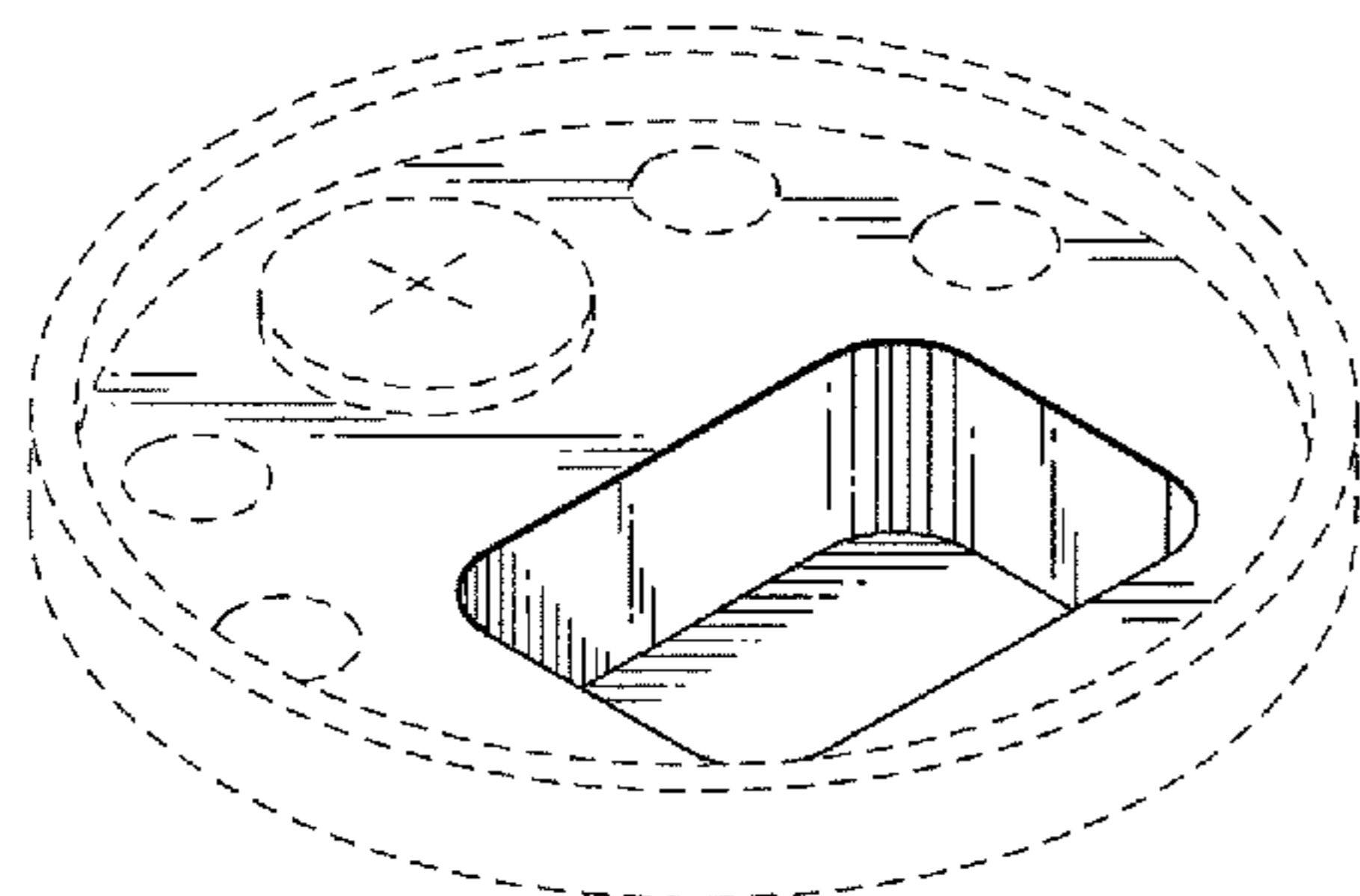
FIG. 13 is a front elevational view thereof, the back elevational view being identical thereto;

FIG. 14 is a left side elevational view thereof, the right side elevational view being a mirror image thereof; and,

FIG. 15 is a bottom plan view thereof.

In the drawings, the claimed design is defined by the shaded surfaces; broken lines immediately adjacent shaded surfaces represent boundaries of the claim and form no part thereof; all other broken lines depict unclaimed environmental subject matter and form no part of the claim.

**1 Claim, 6 Drawing Sheets**



(56)

**References Cited**

U.S. PATENT DOCUMENTS

6,209,748 B1 4/2001 Dunbar  
6,427,864 B1 8/2002 Asselin  
D473,791 S 4/2003 Loris  
6,932,231 B2 8/2005 Haynes  
D511,435 S 11/2005 Roth  
D516,910 S \* 3/2006 Bresler ..... D9/447  
D535,561 S 1/2007 Smith  
D536,923 S 2/2007 Roth  
D556,037 S 11/2007 DAmato  
D559,105 S 1/2008 DAmato  
7,318,536 B2 1/2008 Maravich  
D570,685 S \* 6/2008 Koennecke ..... D9/447  
D588,002 S 3/2009 DAmato  
D619,000 S 7/2010 Scheve  
D634,192 S 3/2011 Mueller  
7,942,260 B1 5/2011 Rodriguez

D642,915 S 8/2011 Swingle  
D661,186 S 6/2012 Snyder  
2004/0149755 A1 8/2004 Olivar  
2005/0178766 A1 8/2005 Washington

OTHER PUBLICATIONS

Kotyuk; U.S. Appl. No. 29/491,775, filed May 23, 2014.  
Kotyuk; U.S. Appl. No. 29/491,779, filed May 23, 2014.  
Notice of Allowance for U.S. Appl. No. 29/446,613 mailed May 1, 2014.  
Notice of Allowance for U.S. Appl. No. 29/491,775 mailed Feb. 4, 2015.  
Notice of Allowance for U.S. Appl. No. 29/491,779 issued Feb. 9, 2015.  
Restriction Requirement for U.S. Appl. No. 29/446,613 mailed Feb. 5, 2014.

\* cited by examiner

FIG. 1

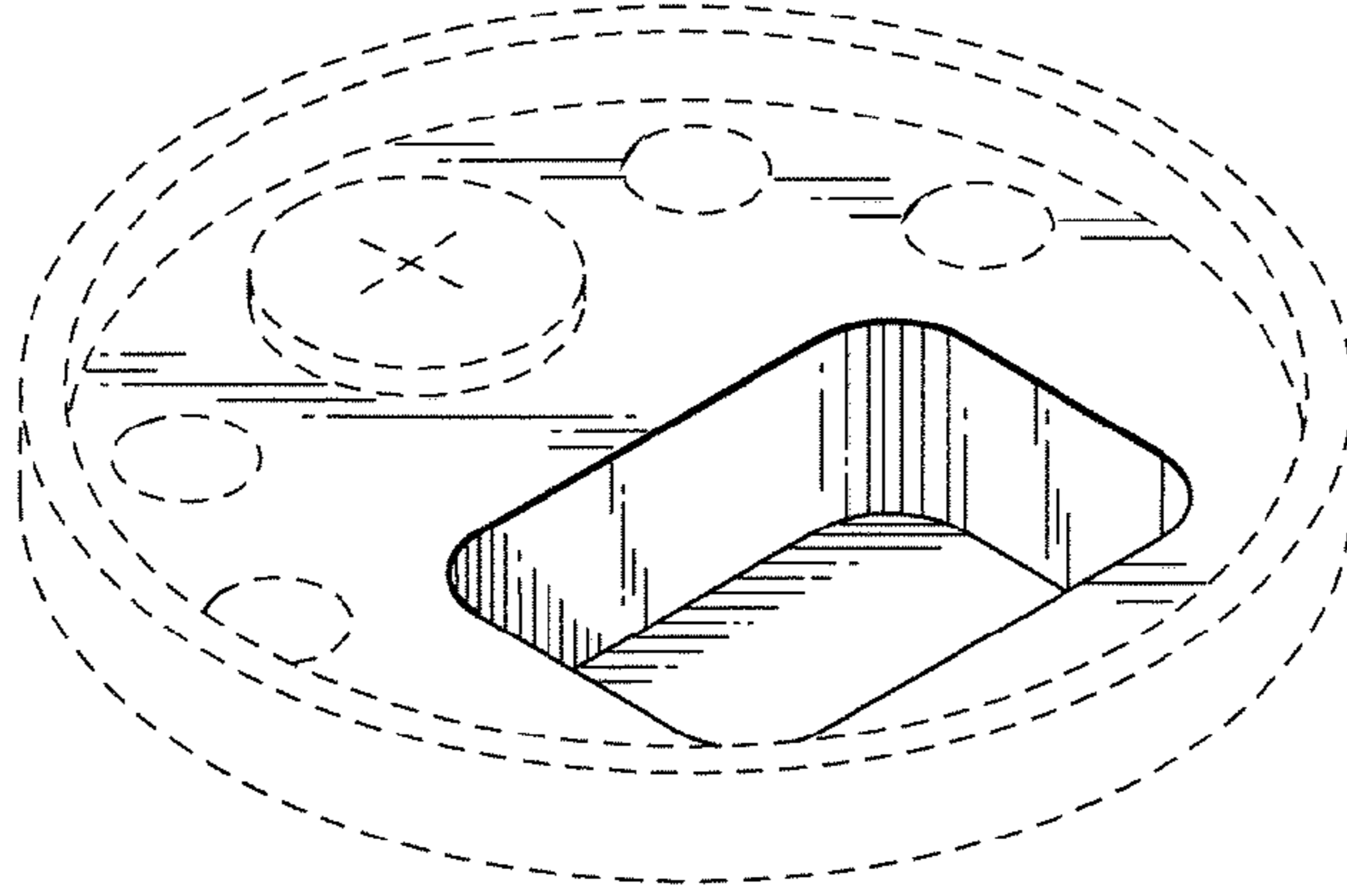


FIG. 2

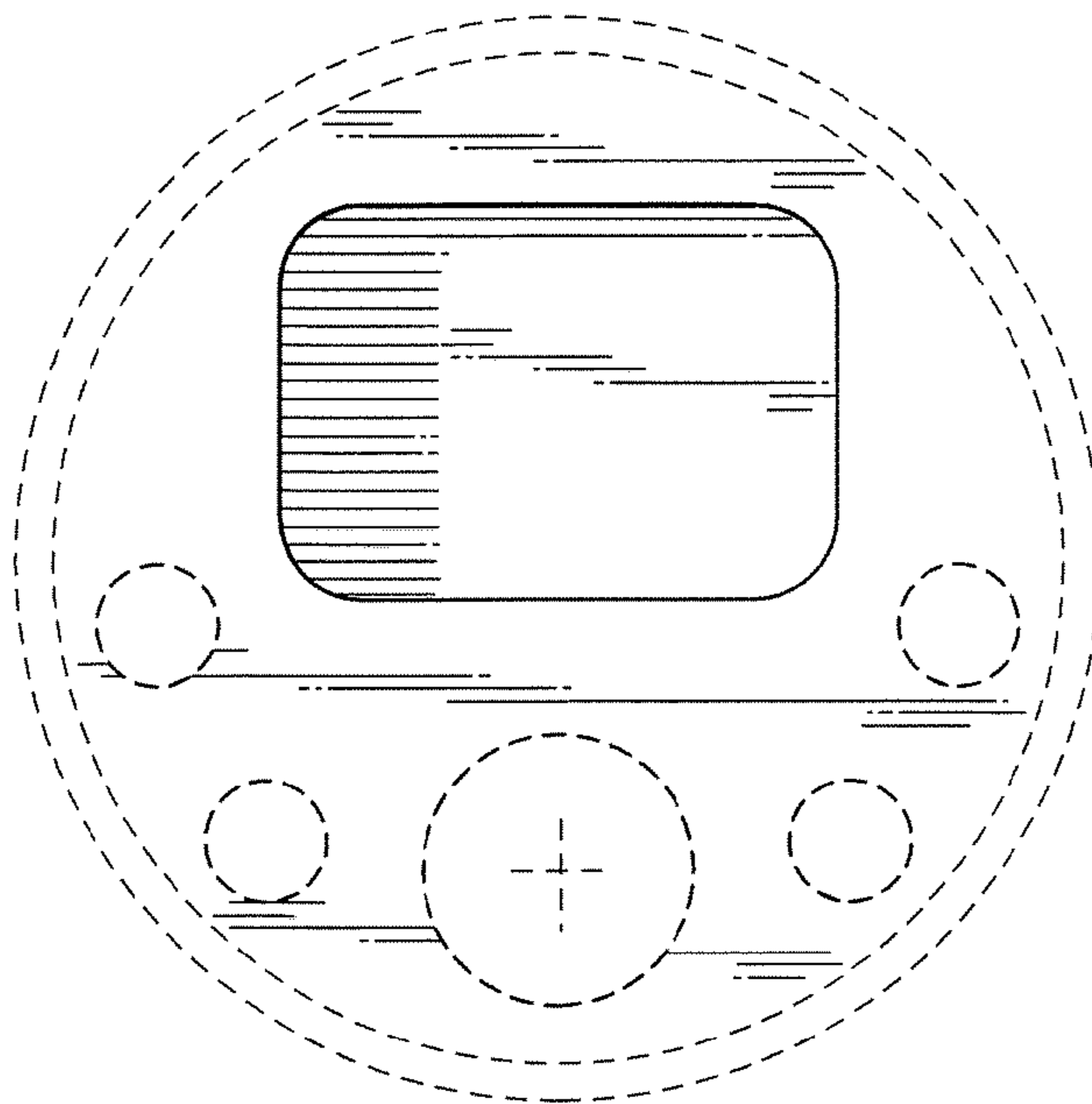


FIG. 3

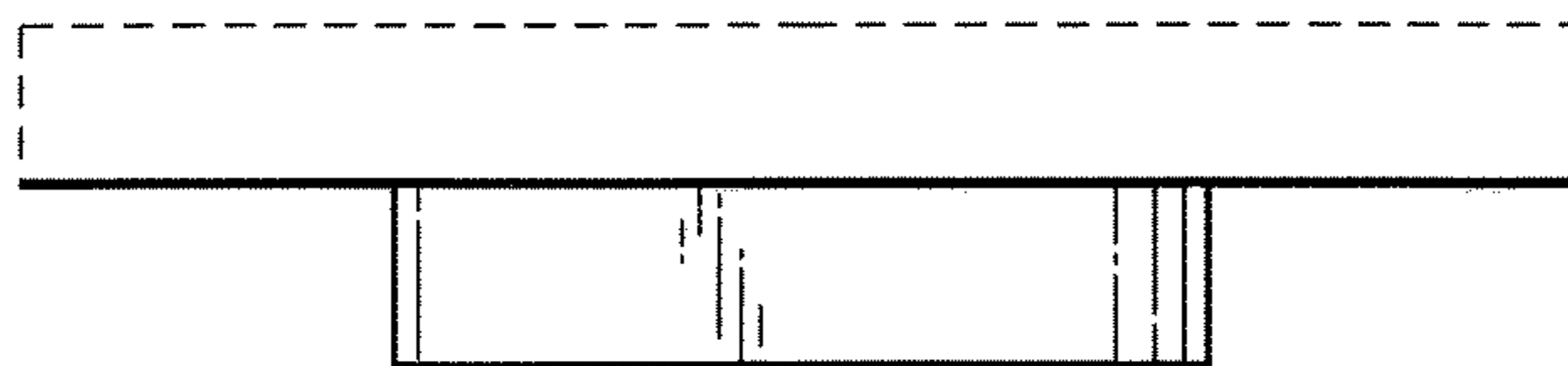


FIG. 4

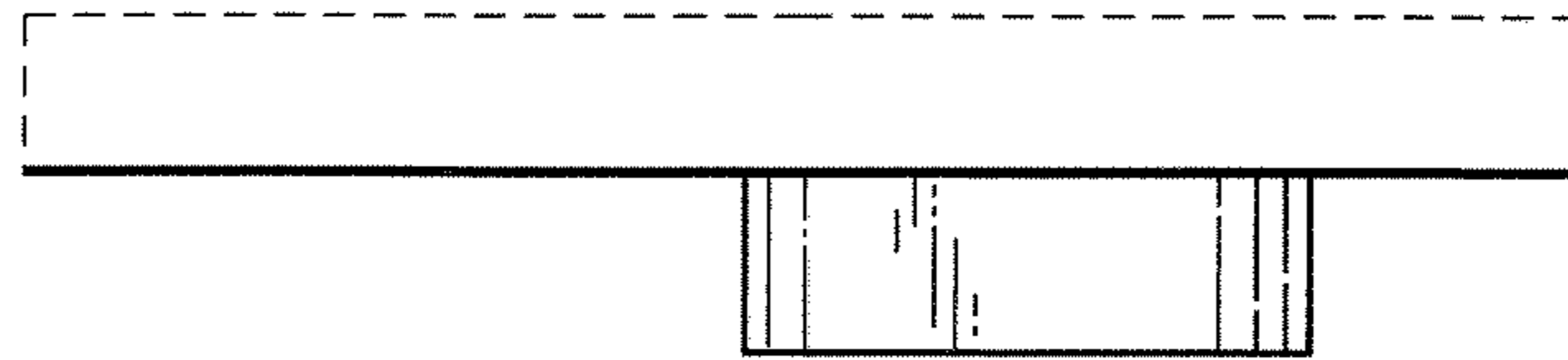


FIG. 5

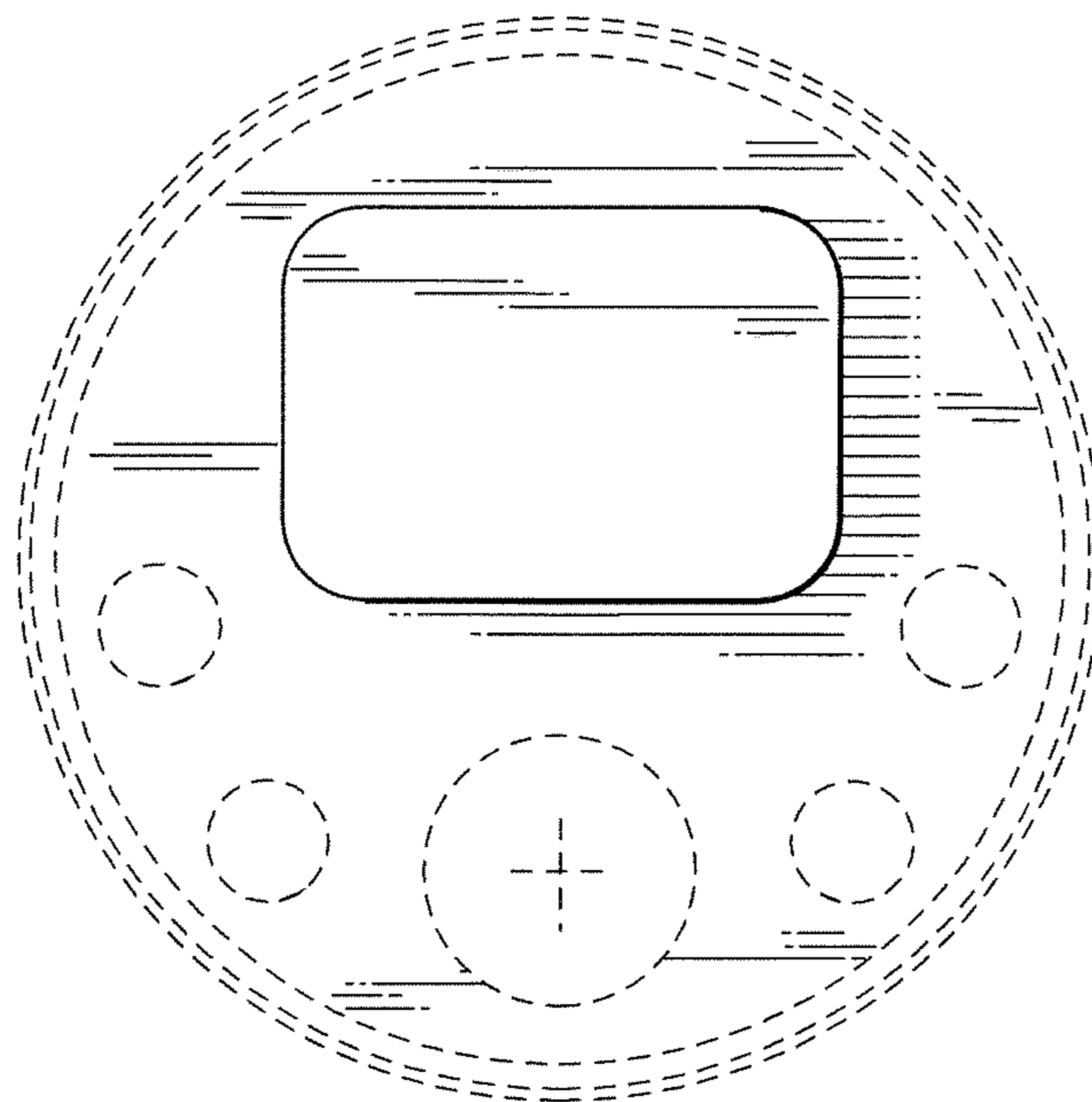


FIG. 6

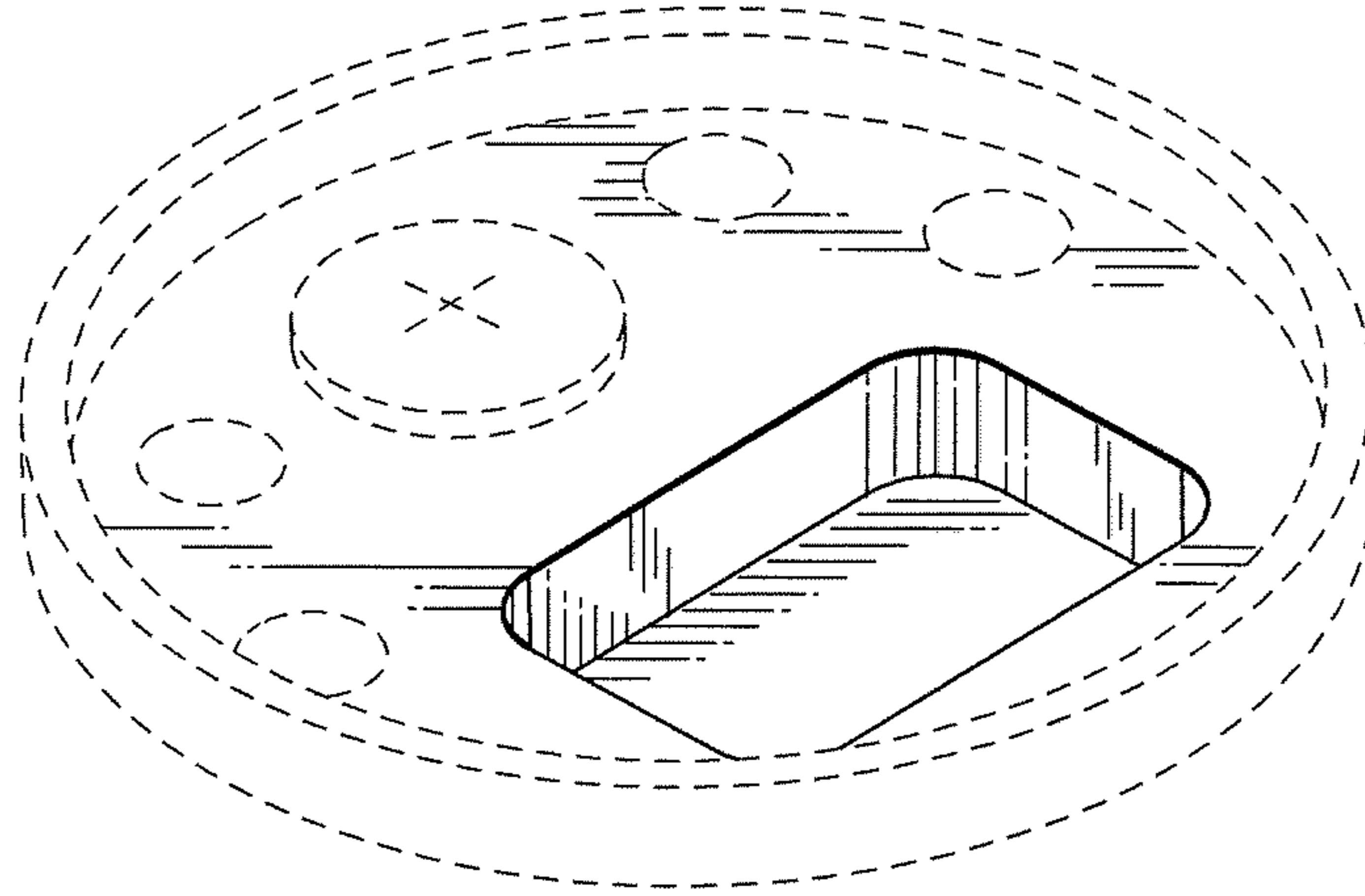


FIG. 7

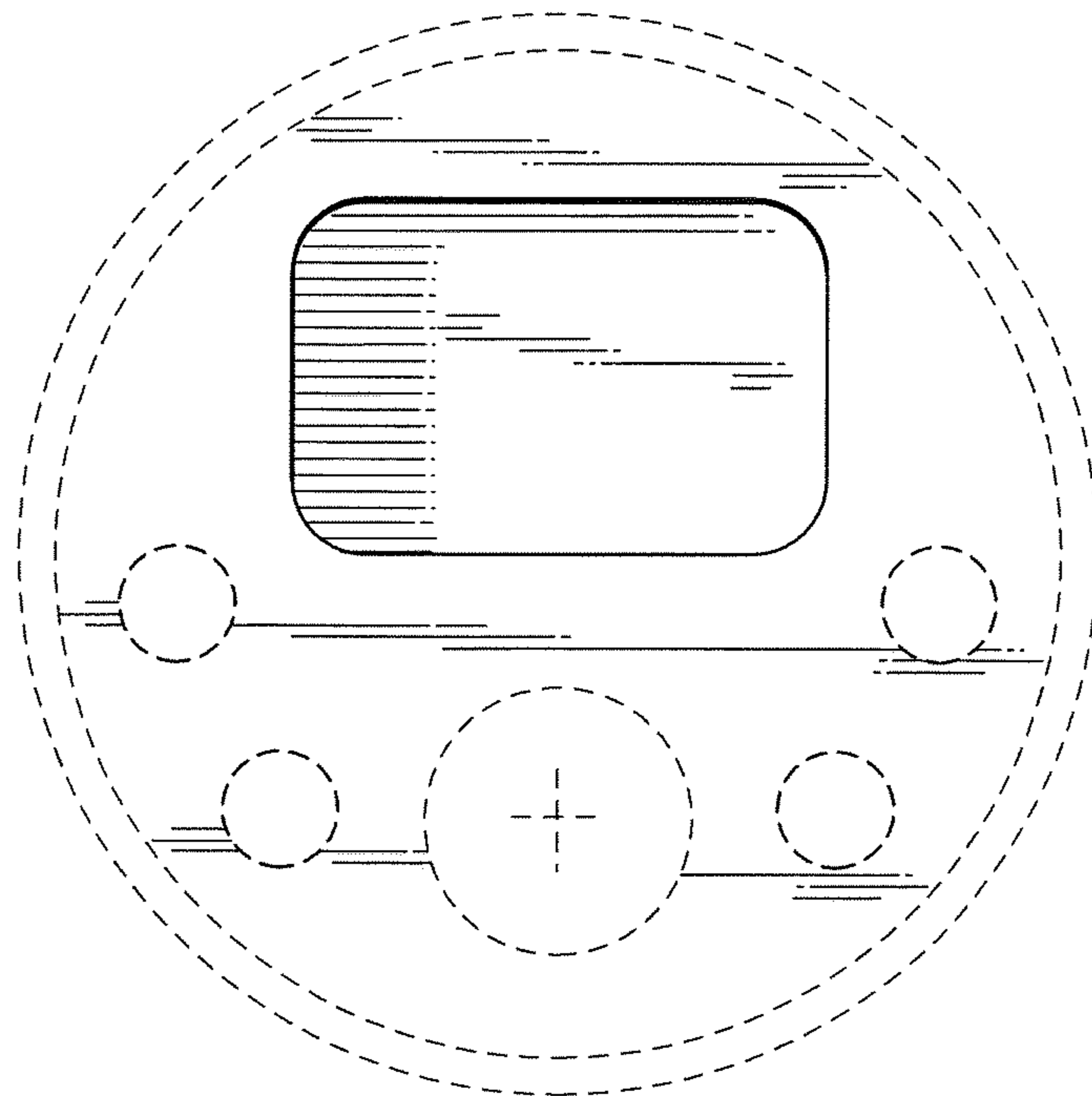


FIG. 8

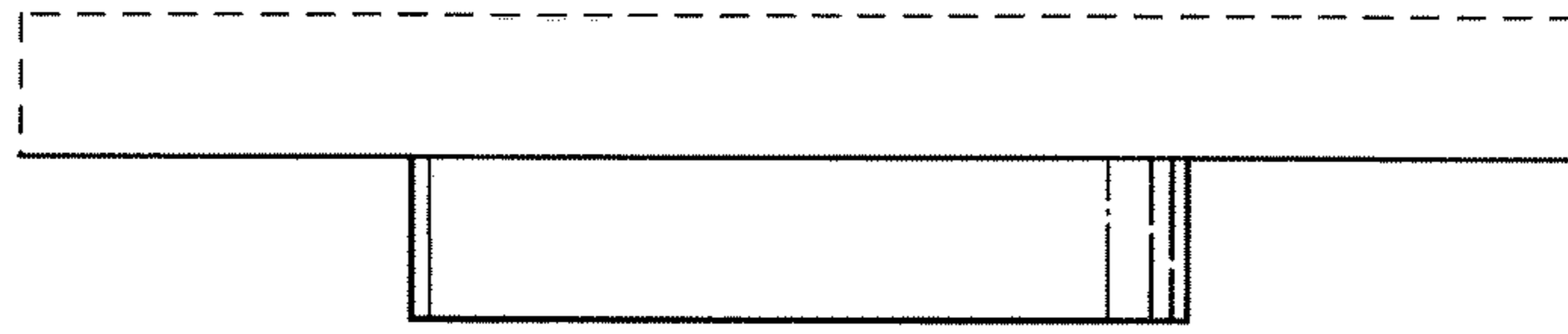


FIG. 9

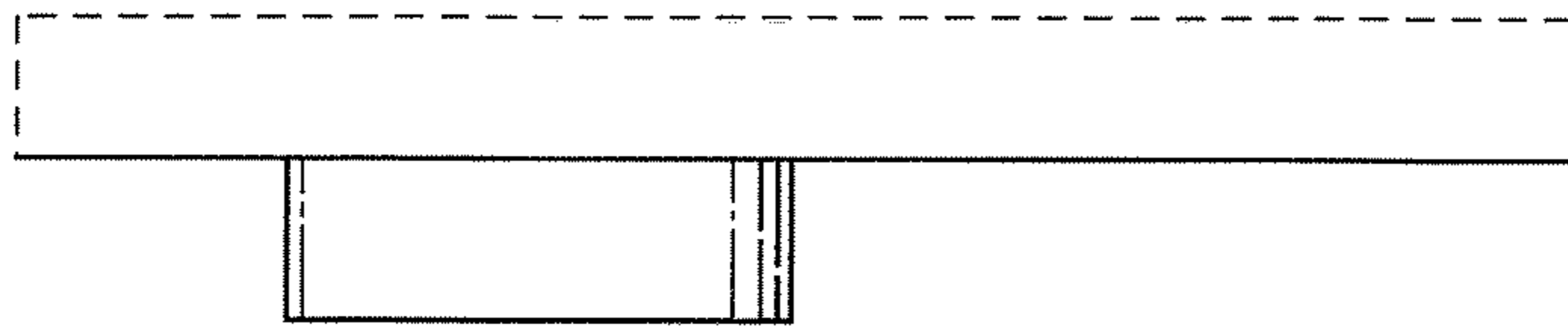


FIG. 10

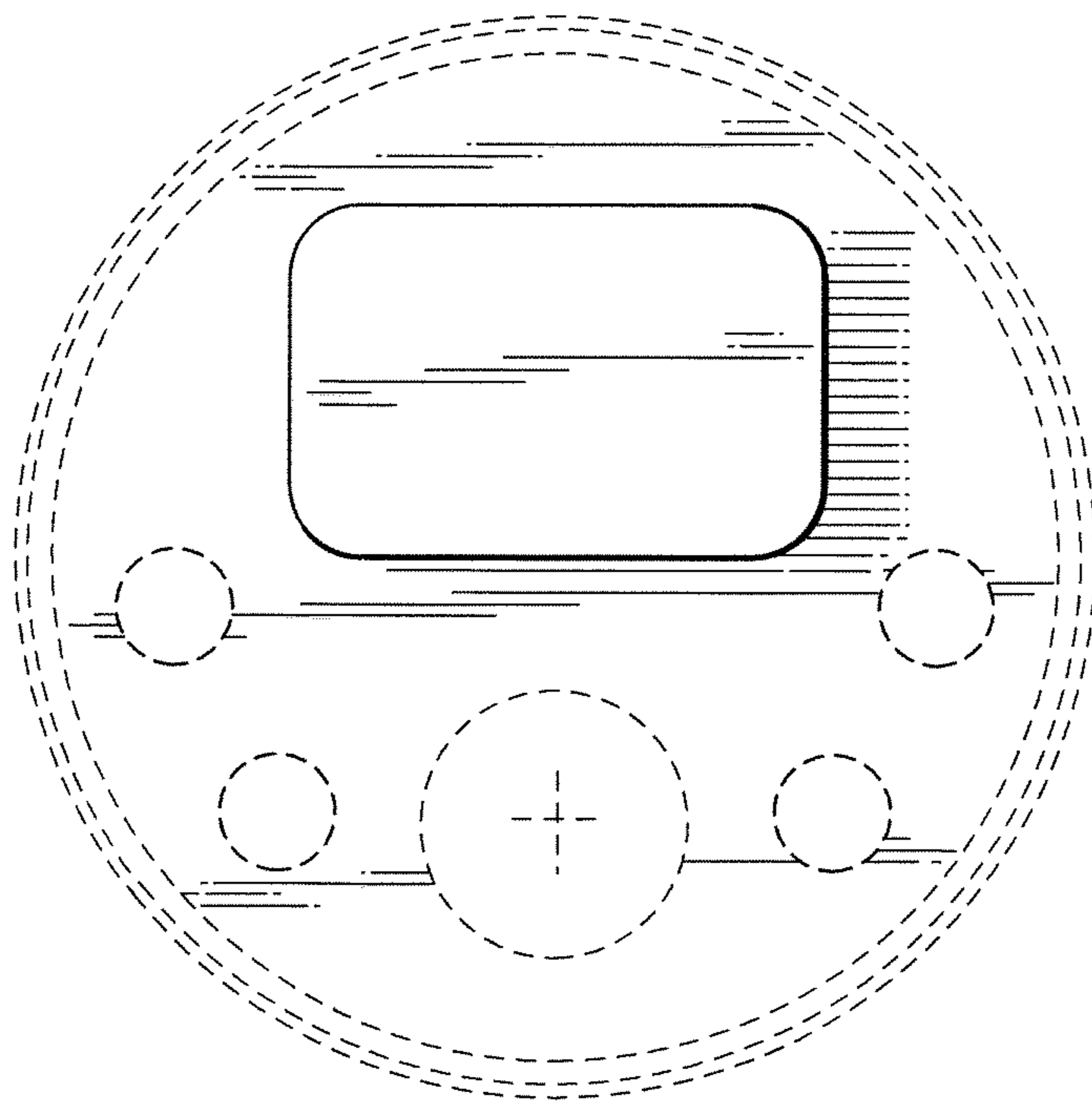


FIG. 11

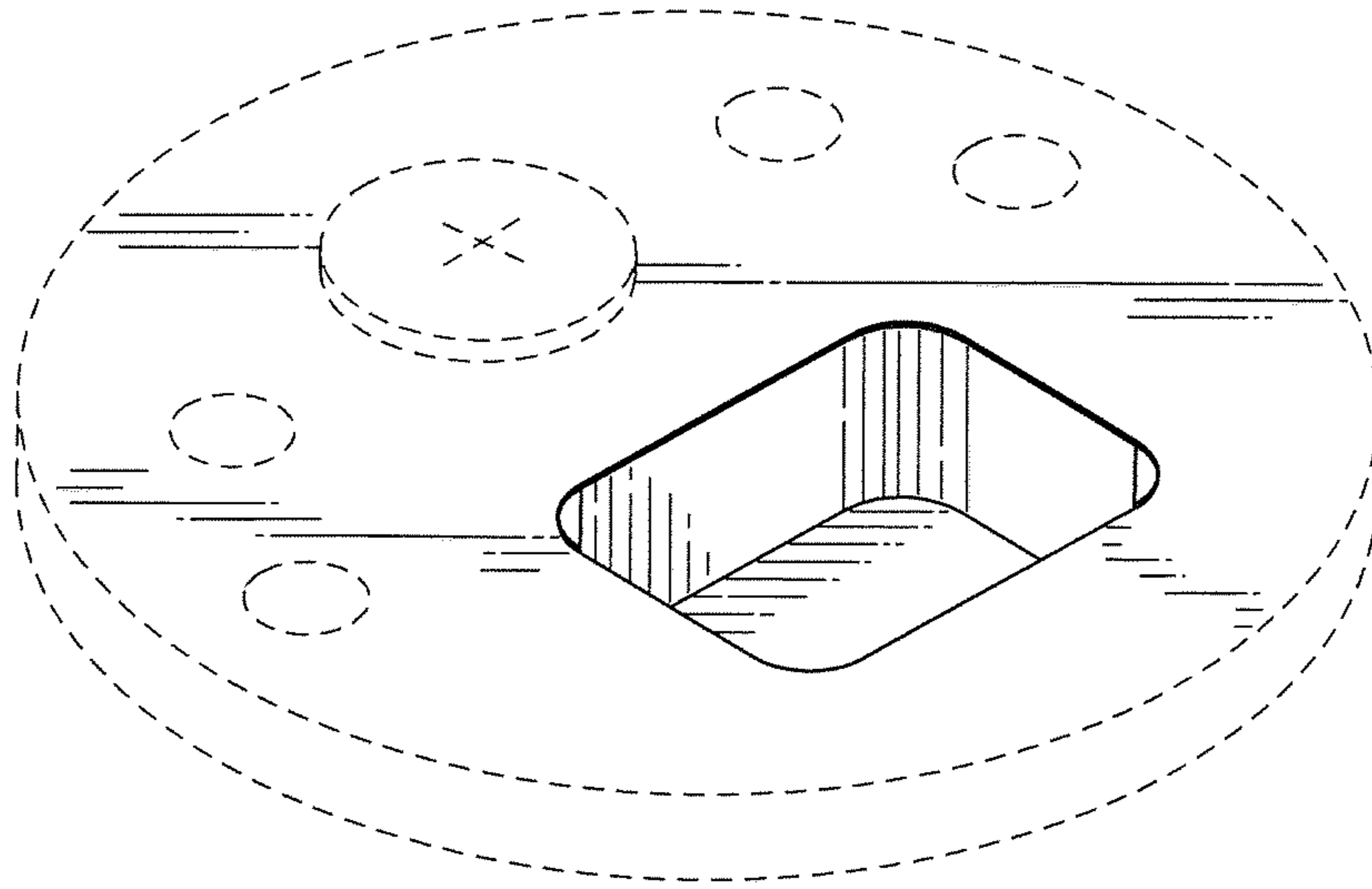


FIG. 12

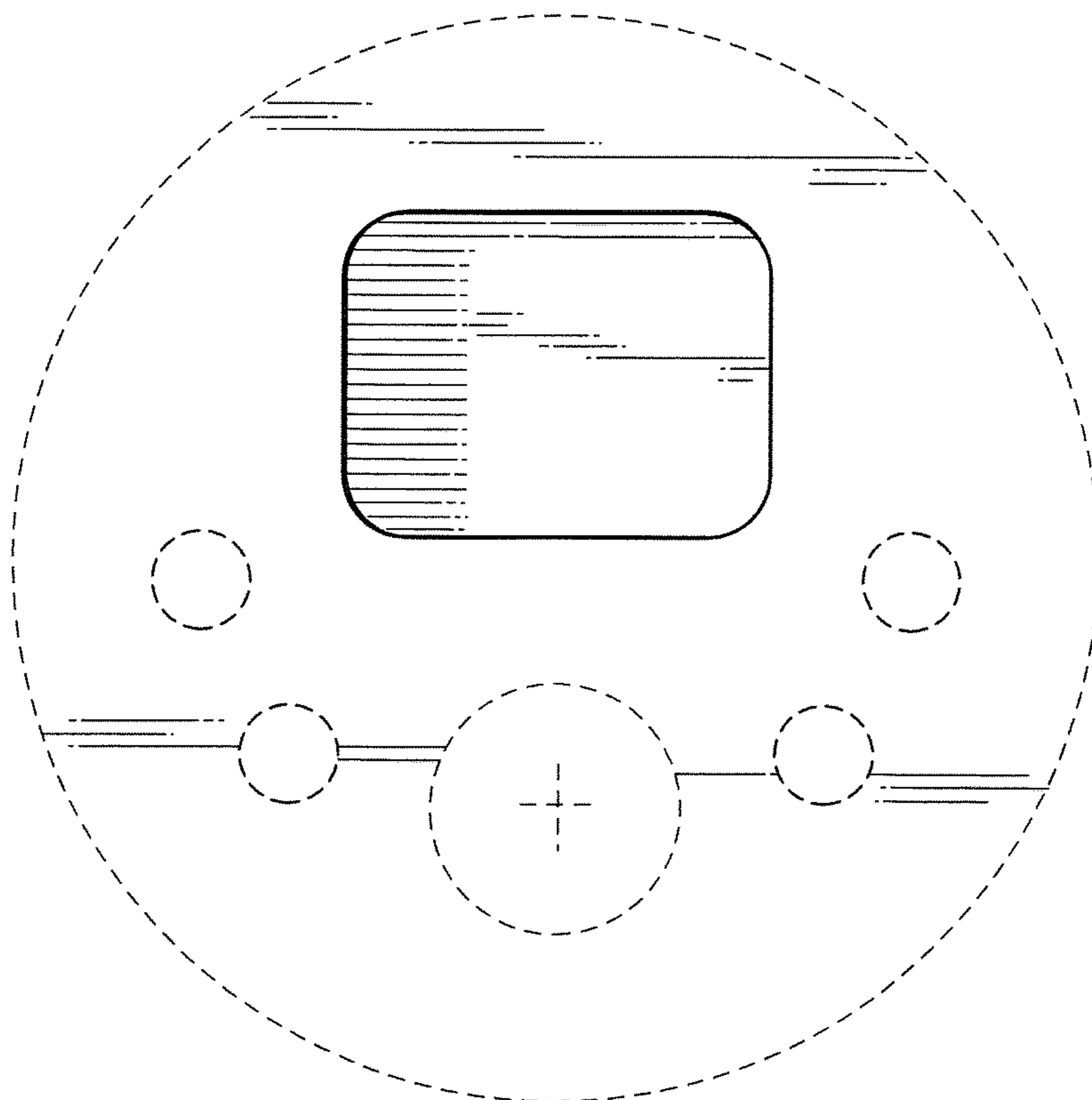


FIG. 13

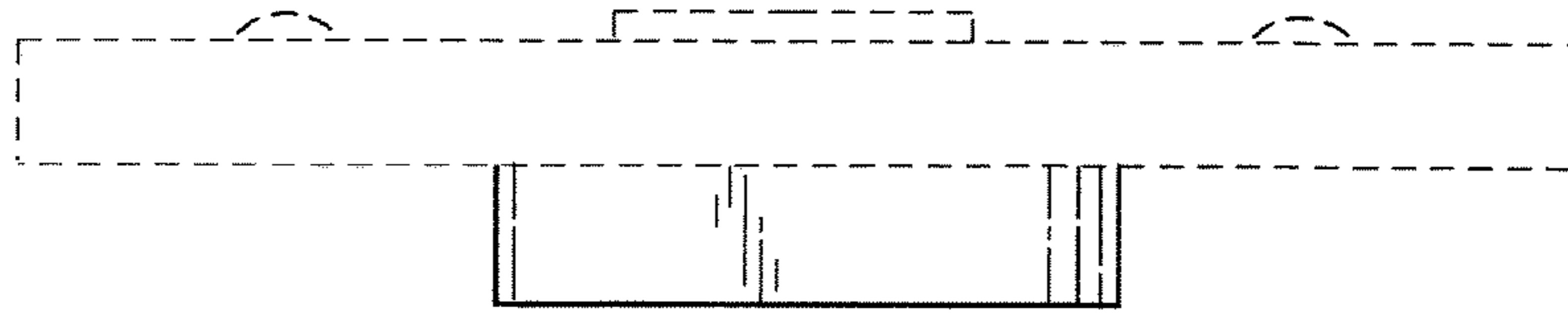


FIG. 14

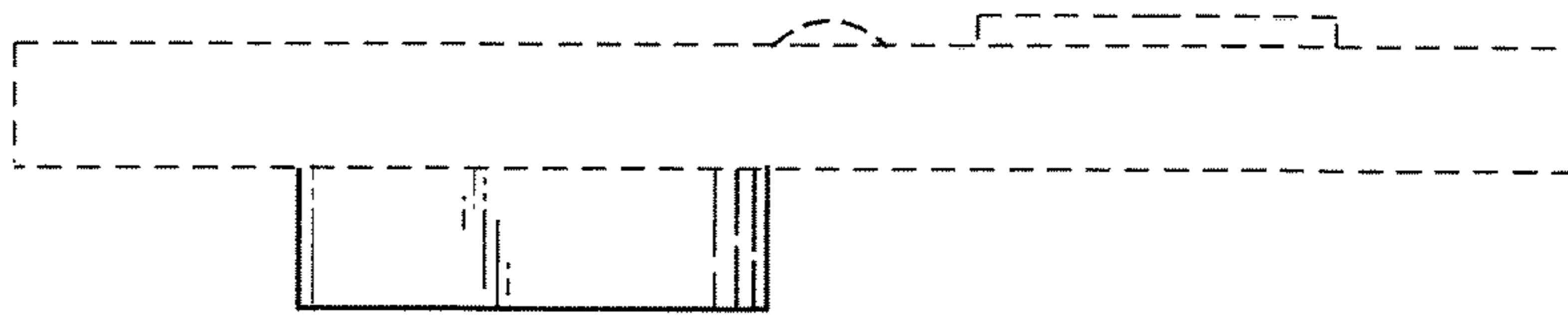


FIG. 15

