



US00D758184S

(12) **United States Design Patent**  
**Tu et al.**

(10) **Patent No.:** **US D758,184 S**  
(45) **Date of Patent:** **\*\* Jun. 7, 2016**

(54) **CONTAINER FOR SHIPPING PREPARED MEALS**

(71) Applicant: **TableRunner, LLC**, Emeryville, CA (US)

(72) Inventors: **Ryan Tu**, Benicia, CA (US); **Tyler Brown**, Petaluma, CA (US); **Kyle Desautels**, Livermore, CA (US)

(73) Assignee: **TableRunner, LLC**, Emeryville, CA (US)

(\*\*) Term: **14 Years**

(21) Appl. No.: **29/520,477**

(22) Filed: **Mar. 13, 2015**

(51) **LOC (10) Cl.** ..... **09-03**

(52) **U.S. Cl.**  
USPC ..... **D9/432**

(58) **Field of Classification Search**  
USPC ..... D9/414, 415, 418, 421, 423–426, 430, D9/432–438, 440, 443–445, 447, 449, D9/455–457, 499, 501, 740, 742, 743; 206/549; 220/577; 229/117.13

CPC ..... B65D 71/48  
See application file for complete search history.

(56) **References Cited**

**U.S. PATENT DOCUMENTS**

- 3,640,380 A \* 2/1972 Huffman ..... A47J 47/14  
206/194
- 5,273,156 A \* 12/1993 Harris ..... B65D 71/48  
206/147
- 5,484,053 A \* 1/1996 Harris ..... B65D 71/0003

- D373,531 S \* 9/1996 Cooksey ..... D9/430  
206/147
- 5,927,502 A \* 7/1999 Hunter ..... B65D 21/02  
206/194
- D497,309 S \* 10/2004 Nordland ..... D9/415
- D576,482 S \* 9/2008 DeBusk ..... D9/416
- 8,220,702 B2 \* 7/2012 DeBusk ..... B65D 71/36  
206/427
- 8,522,972 B2 \* 9/2013 Greene ..... B65D 25/10  
206/352
- D693,216 S \* 11/2013 Sill ..... D9/418
- D693,217 S \* 11/2013 Sill ..... D9/418
- 2013/0320075 A1 \* 12/2013 Park ..... B65D 5/526  
229/117.13

\* cited by examiner

*Primary Examiner* — Robert M Spear  
*Assistant Examiner* — Darcey E Heflin

(74) *Attorney, Agent, or Firm* — Fish & Richardson P.C.

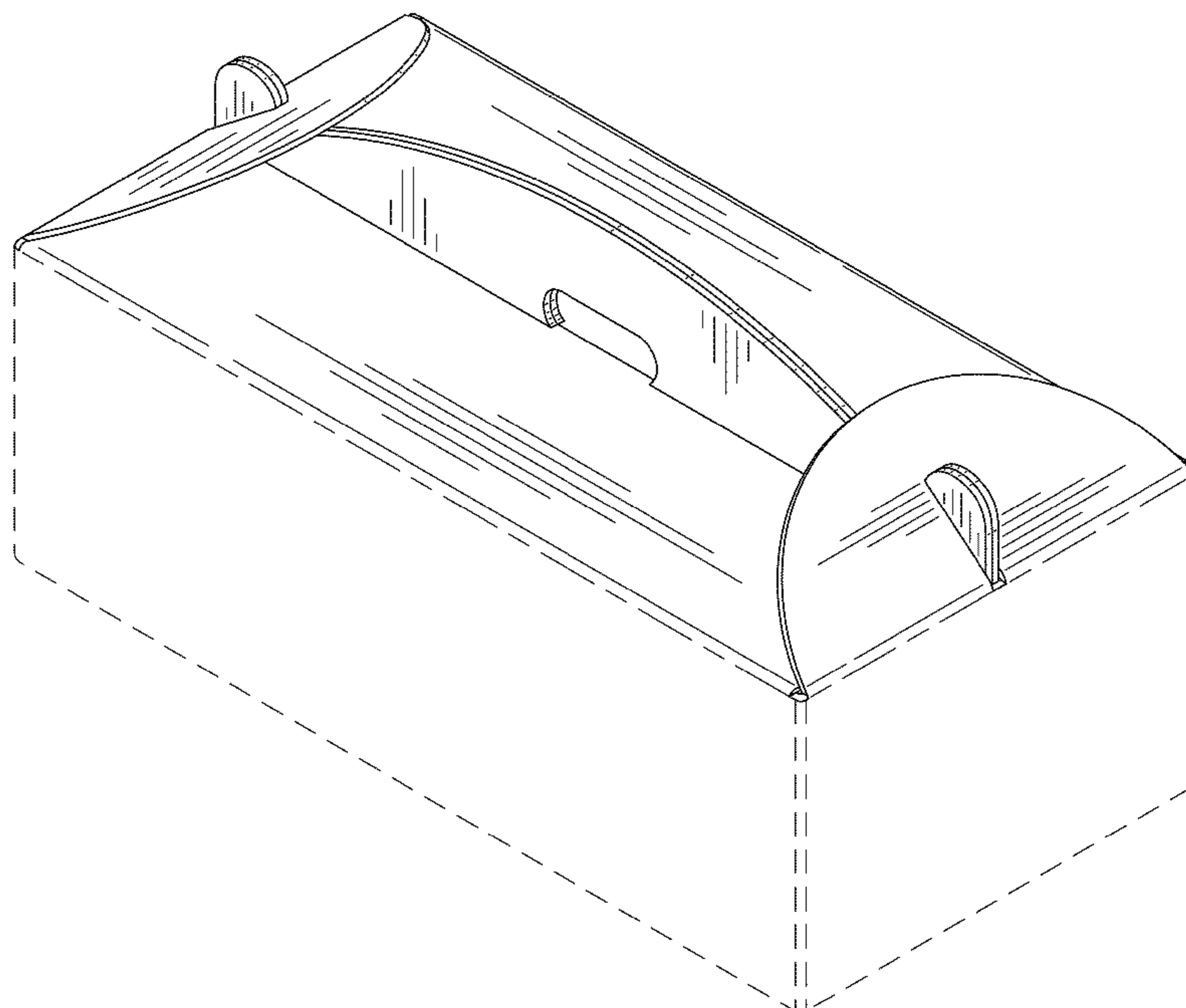
(57) **CLAIM**

The ornamental design for a container for shipping prepared meals, substantially as shown and described.

**DESCRIPTION**

FIG. 1 is a front perspective view of our shipping container. FIG. 2 is a left side view of the shipping container of FIG. 1. FIG. 3 is a right side view of the shipping container of FIG. 1. FIG. 4 is a front view of the shipping container of FIG. 1. FIG. 5 is a back view of the shipping container of FIG. 1. FIG. 6 is a top view of the shipping container of FIG. 1; and, FIG. 7 is a bottom view of the shipping container of FIG. 1. In the drawings, the evenly spaced broken lines illustrate environmental features that form no part of the claimed design; and the dash-dot-dash lines represent boundaries of the claimed design and form no part thereof.

**1 Claim, 6 Drawing Sheets**



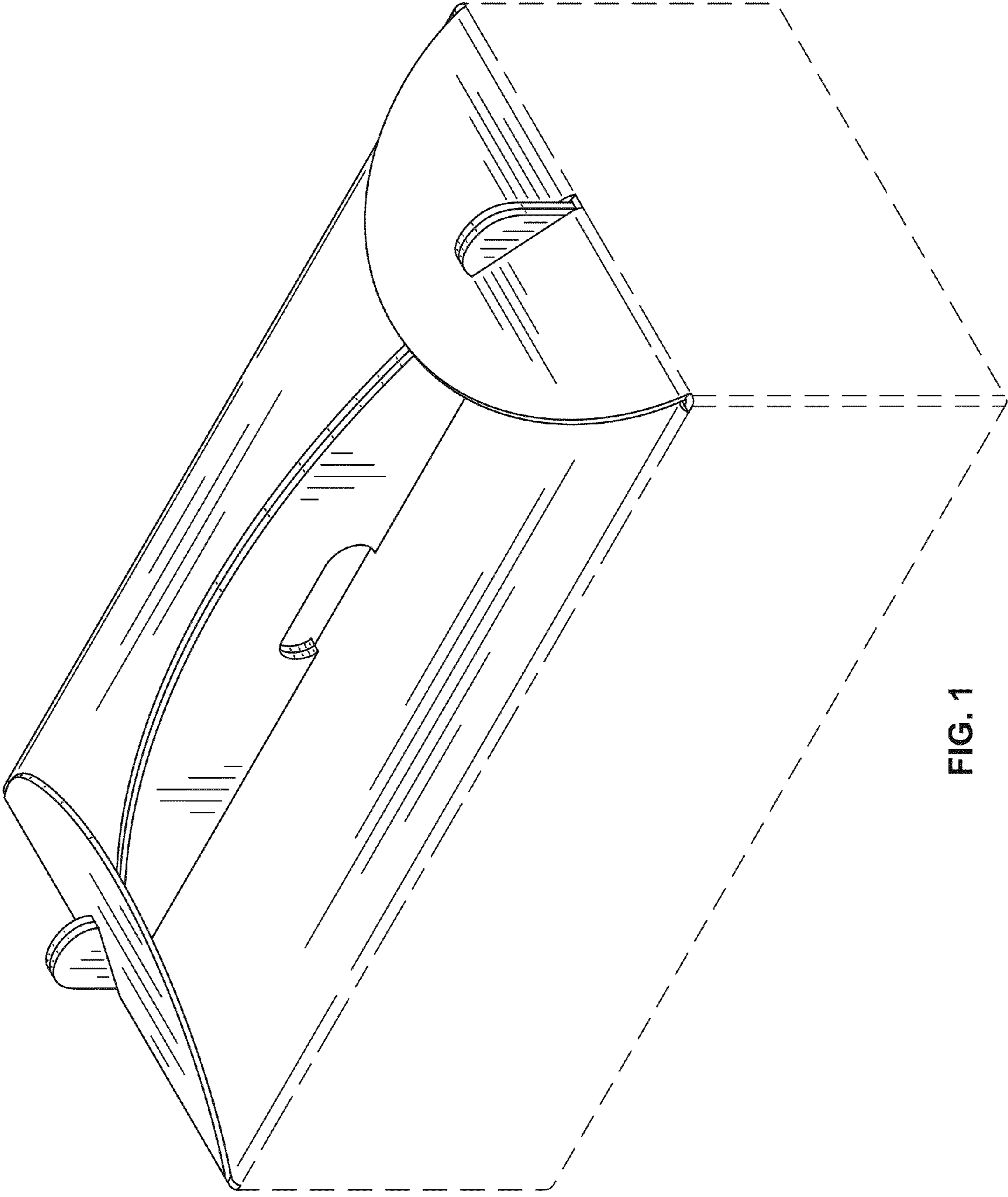


FIG. 1

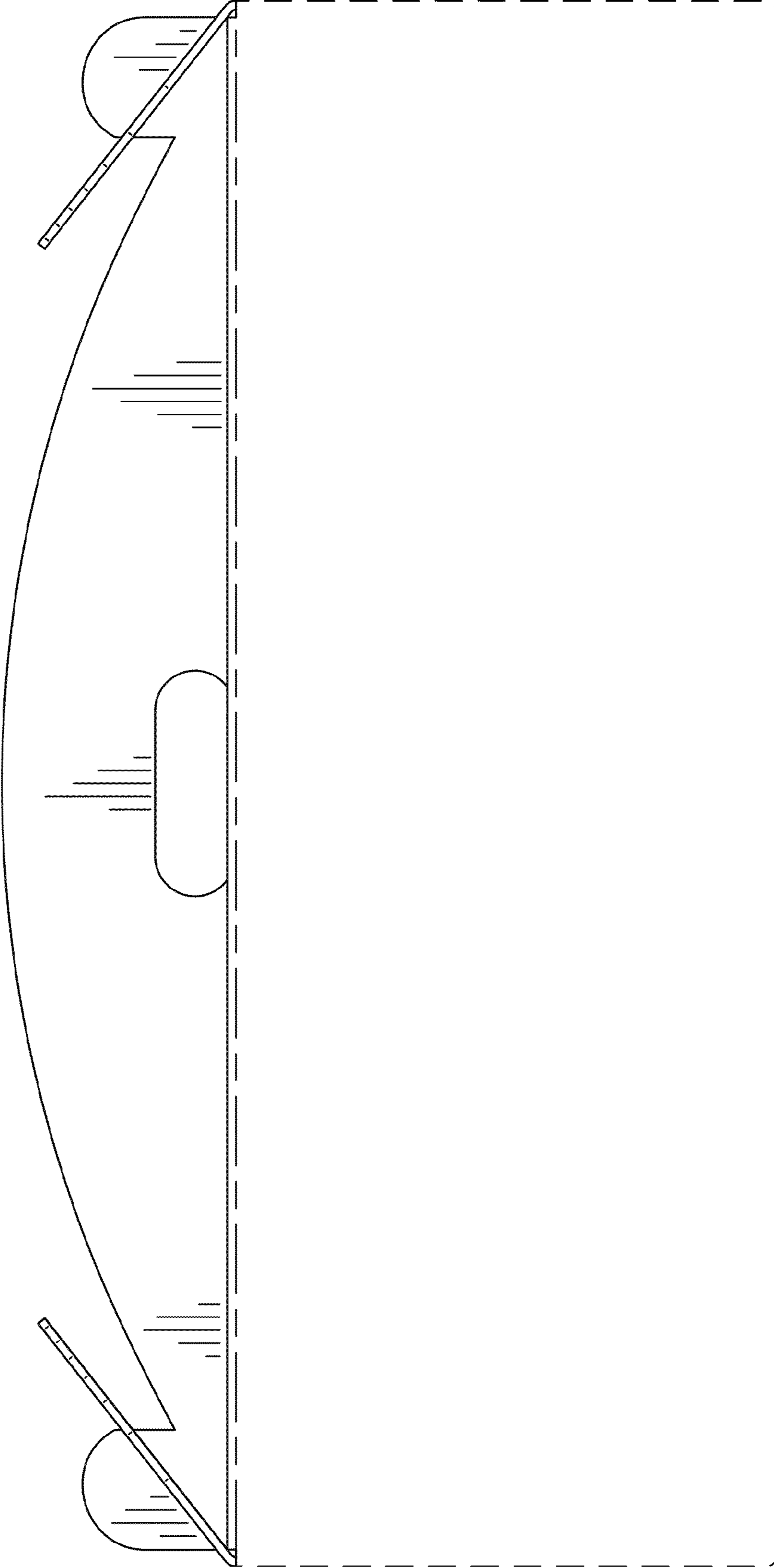


FIG. 2

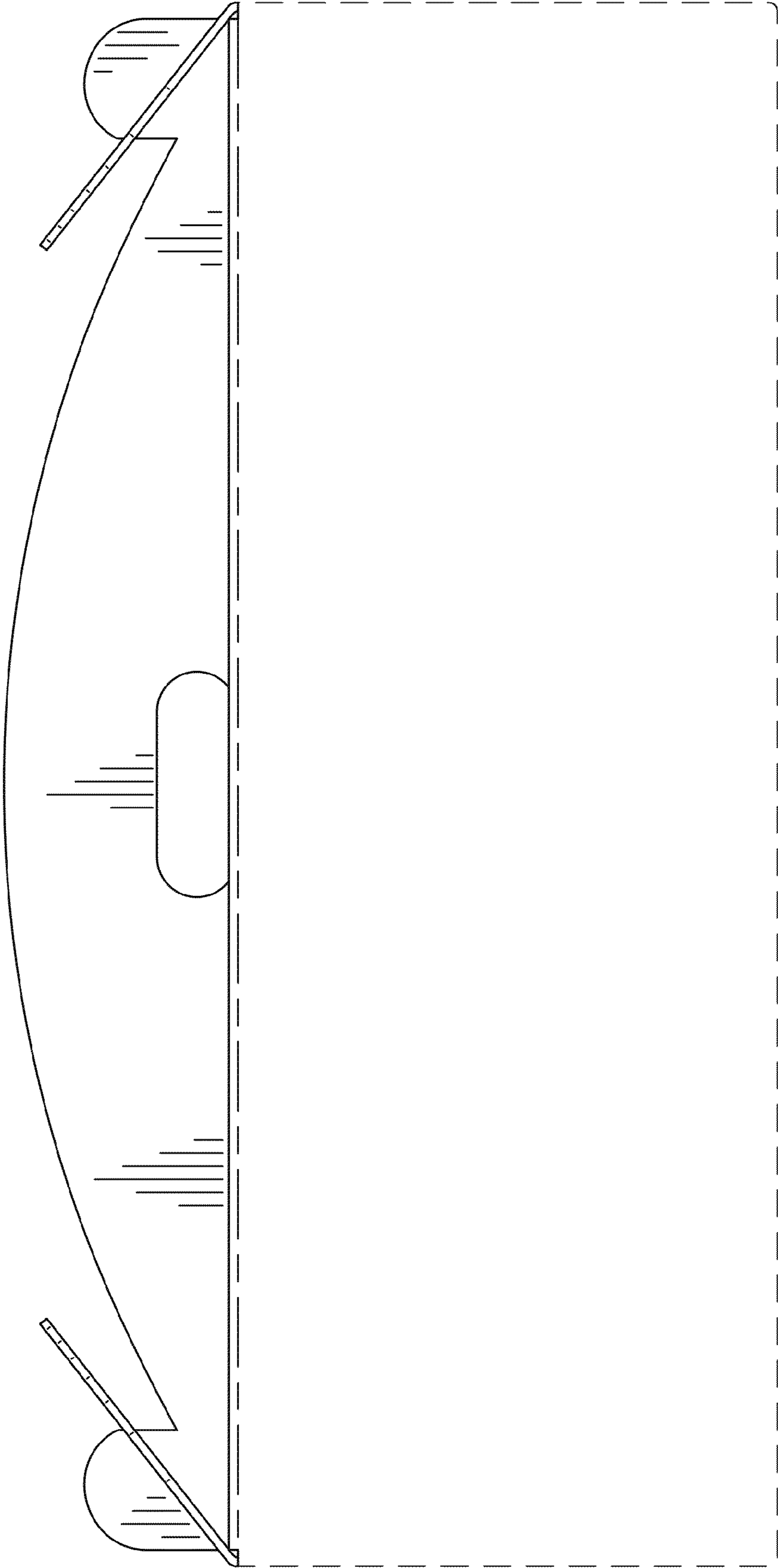


FIG. 3

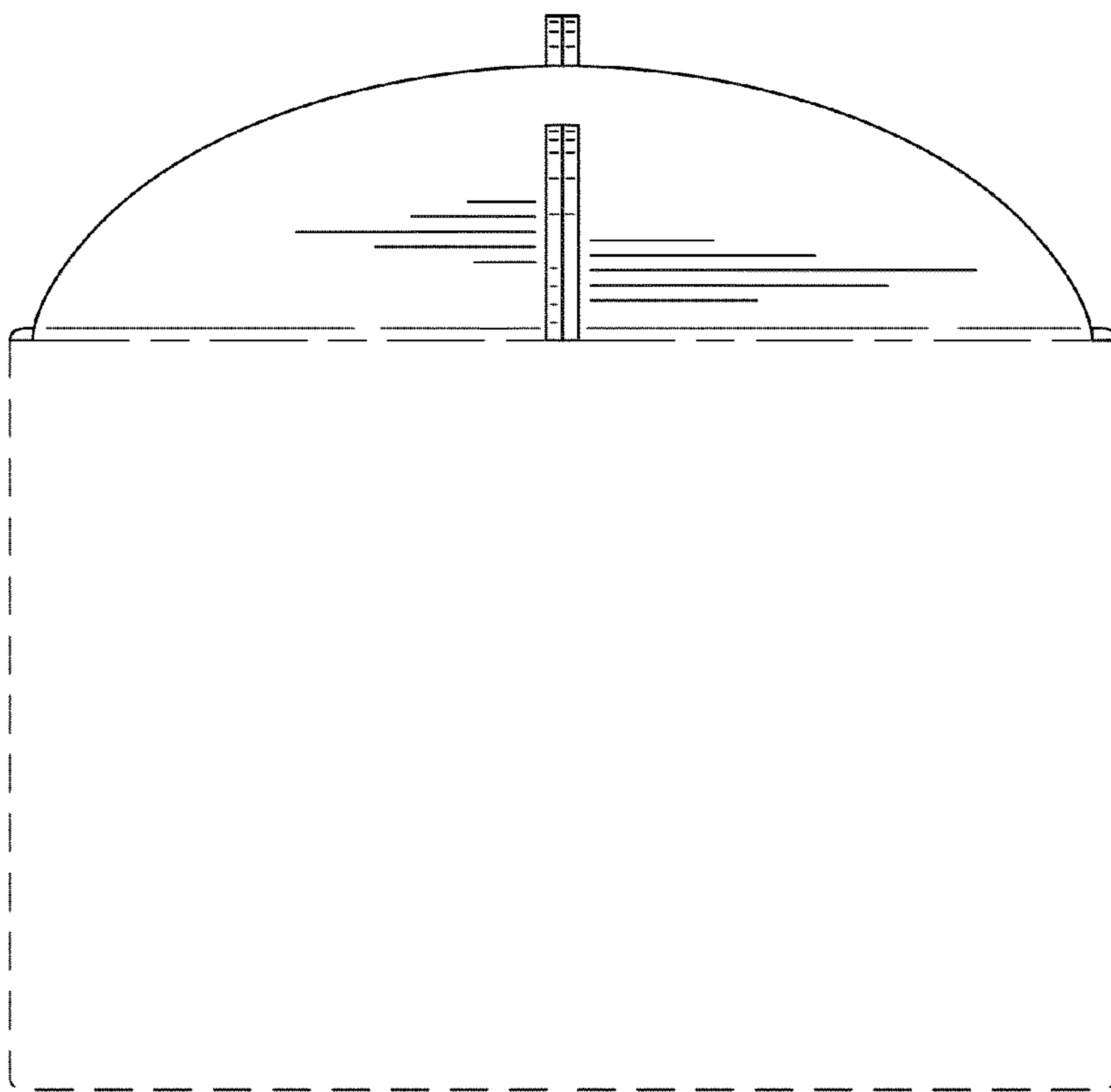


FIG. 4

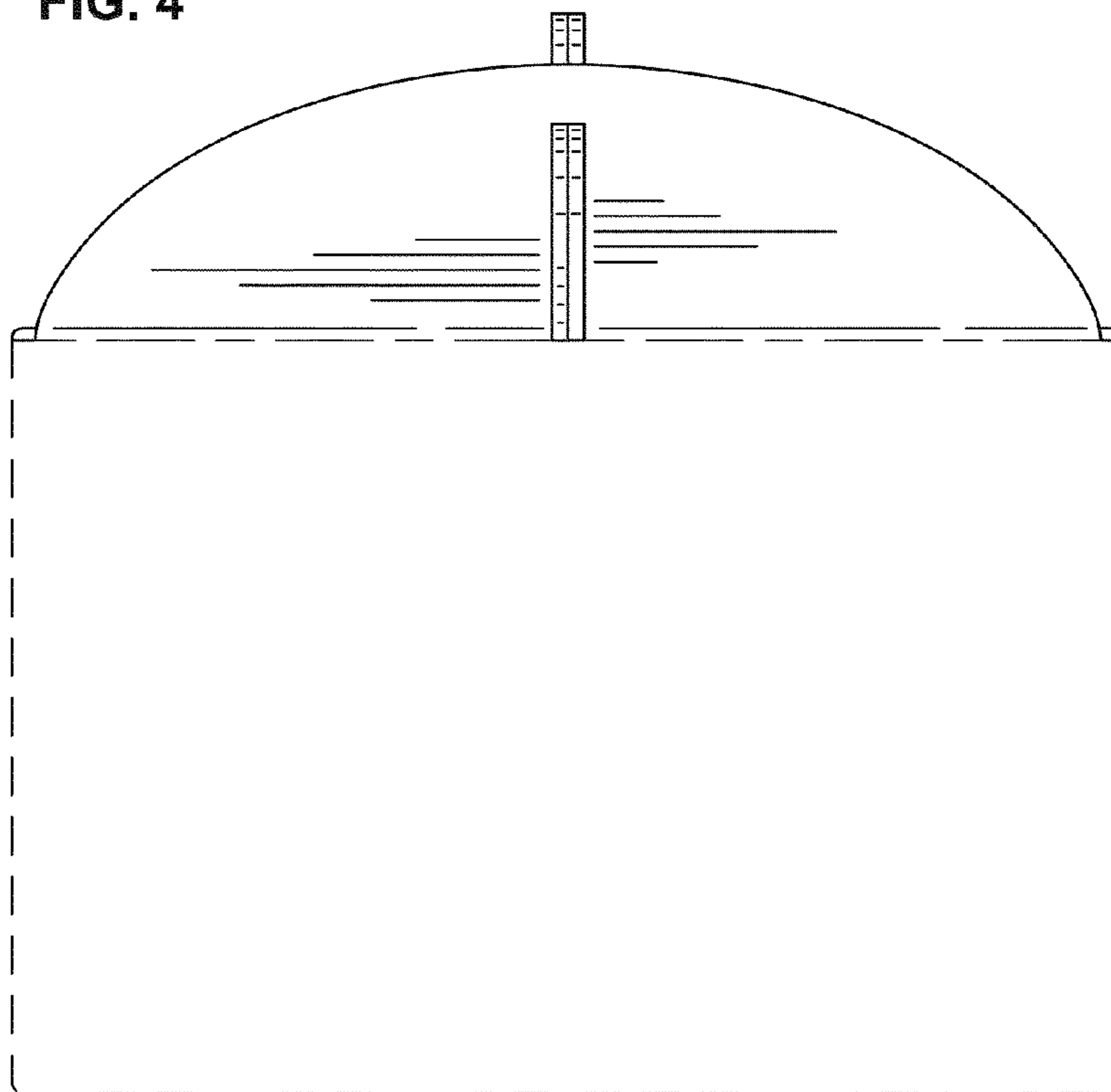


FIG. 5



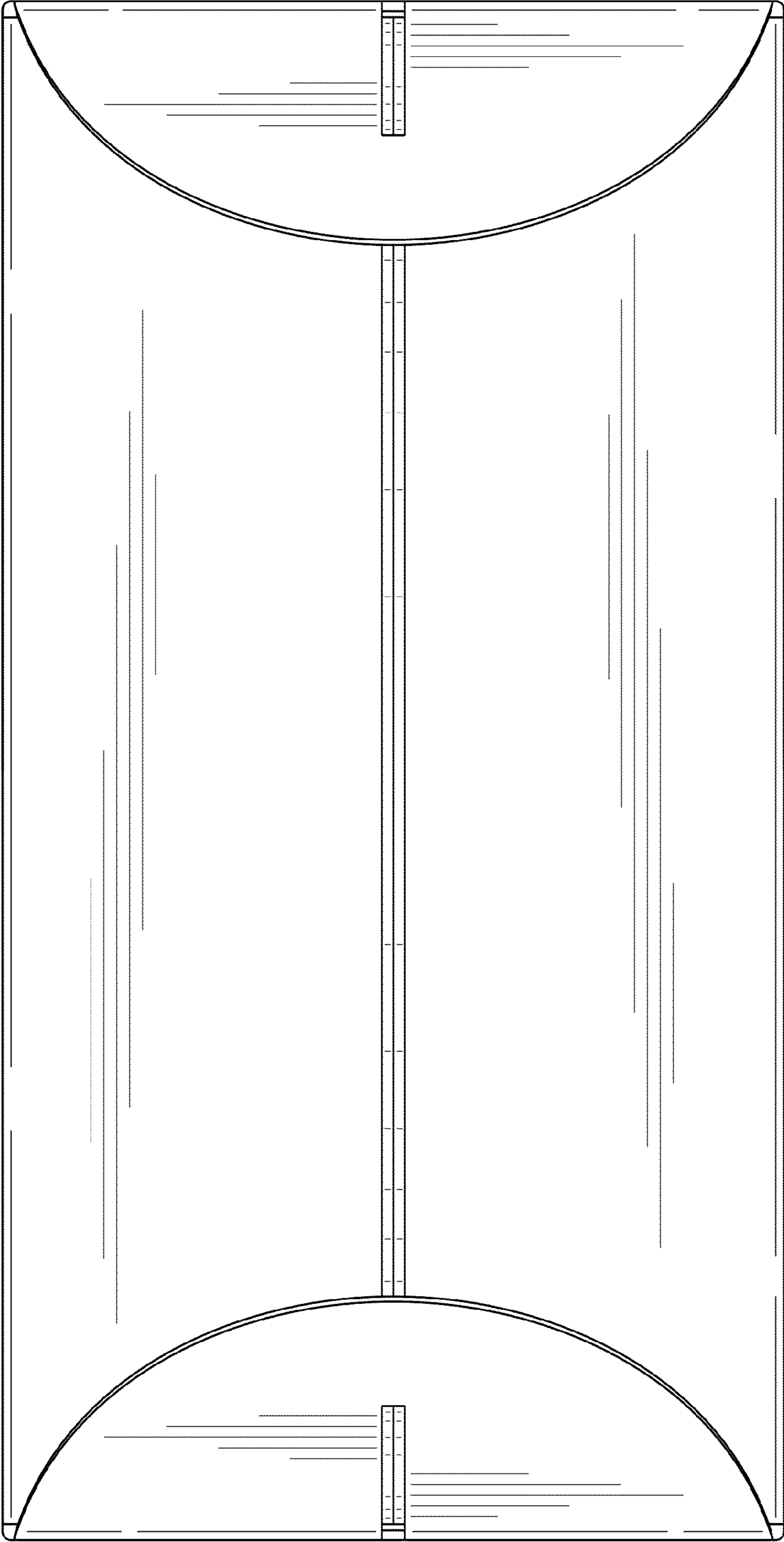
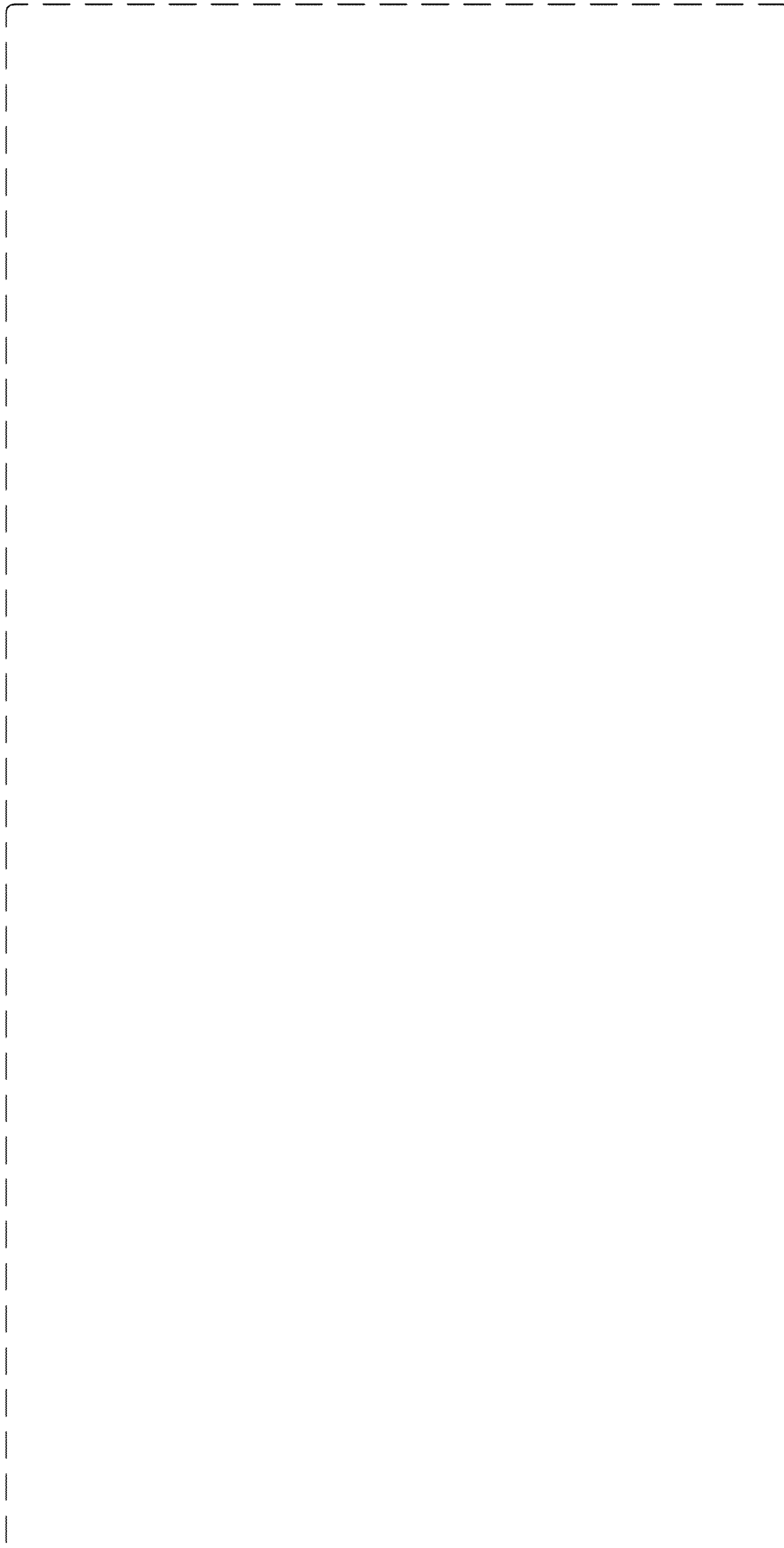


FIG. 6



**FIG. 7**