



US00D758183S

(12) **United States Design Patent**
Joergensen et al.

(10) **Patent No.:** **US D758,183 S**
(45) **Date of Patent:** **** Jun. 7, 2016**

(54) **FOOD CONTAINER**

(71) Applicant: **NatureSweet, Ltd.**, San Antonio, TX (US)

(72) Inventors: **J. Michael Joergensen**, San Antonio, TX (US); **Bryant P. Ambelang**, San Antonio, TX (US); **Jacob Teitelbaum**, Oakland, CA (US)

(73) Assignee: **NatureSweet, Ltd.**, San Antonio, TX (US)

(**) Term: **14 Years**

(21) Appl. No.: **29/511,259**

(22) Filed: **Dec. 9, 2014**

(51) **LOC (10) Cl.** **09-03**

(52) **U.S. Cl.**
USPC **D9/426**

(58) **Field of Classification Search**
USPC D9/414, 420, 423, 424, 425, 427, 428, D9/431, 432, 643-647, 715, 737, 756, 757, D9/762, 761, 426; D7/541, 553.1, 601, D7/602, 629, 630, 701, 703, 707, 708; 220/4.21-4.22, 602-608, 669, 675, 220/835-839
CPC B65D 85/34; B65D 85/345; B65D 43/161; B65D 43/162
See application file for complete search history.

(56) **References Cited**

U.S. PATENT DOCUMENTS

| | | | |
|--------------|--------|------------------|--------|
| D154,431 S * | 7/1949 | Reinecke | D9/426 |
| D270,302 S * | 8/1983 | Starzec | D3/258 |
| D272,233 S * | 1/1984 | Parmentier | D9/732 |
| D346,552 S * | 5/1994 | Krupa | D9/757 |
| D459,988 S * | 7/2002 | Hogman | D9/757 |
| D475,288 S * | 6/2003 | Hoffmann | D9/426 |
| D485,470 S * | 1/2004 | Willis | D7/538 |

| | | | |
|-------------------|---------|------------------|----------------------------|
| D512,330 S * | 12/2005 | Hall | D9/757 |
| D562,678 S * | 2/2008 | Shaver et al. | |
| D569,242 S * | 5/2008 | Flamand | D9/420 |
| D584,140 S * | 1/2009 | Roe | D9/757 |
| D594,279 S * | 6/2009 | Ablo | D7/500 |
| D596,954 S * | 7/2009 | Jimenez | D9/423 |
| D687,681 S * | 8/2013 | Barber | D7/674 |
| D692,726 S * | 11/2013 | Kinney | D7/562 |
| D695,137 S * | 12/2013 | Buckley | D9/757 |
| D696,072 S * | 12/2013 | Hsu | D7/505 |
| D698,196 S * | 1/2014 | Barber | D7/354 |
| D739,767 S * | 9/2015 | Schleining | D9/757 |
| 2011/0094918 A1 * | 4/2011 | Hernandez | B65D 21/0223 206/521.15 |
| 2011/0180446 A1 * | 7/2011 | Kidd | B65D 21/0223 206/509 |

* cited by examiner

Primary Examiner — Dana L Meyrow

Assistant Examiner — Keith Frank

(74) *Attorney, Agent, or Firm* — Norton Rose Fullbright US LLP

(57) **CLAIM**

The ornamental design for a food container, as shown and described.

DESCRIPTION

FIG. 1 is a front perspective view of a food container showing our new design;

FIG. 2 is a front elevation view thereof;

FIG. 3 is a back elevation view thereof;

FIG. 4 is a right elevation view thereof;

FIG. 5 is a left elevation view thereof;

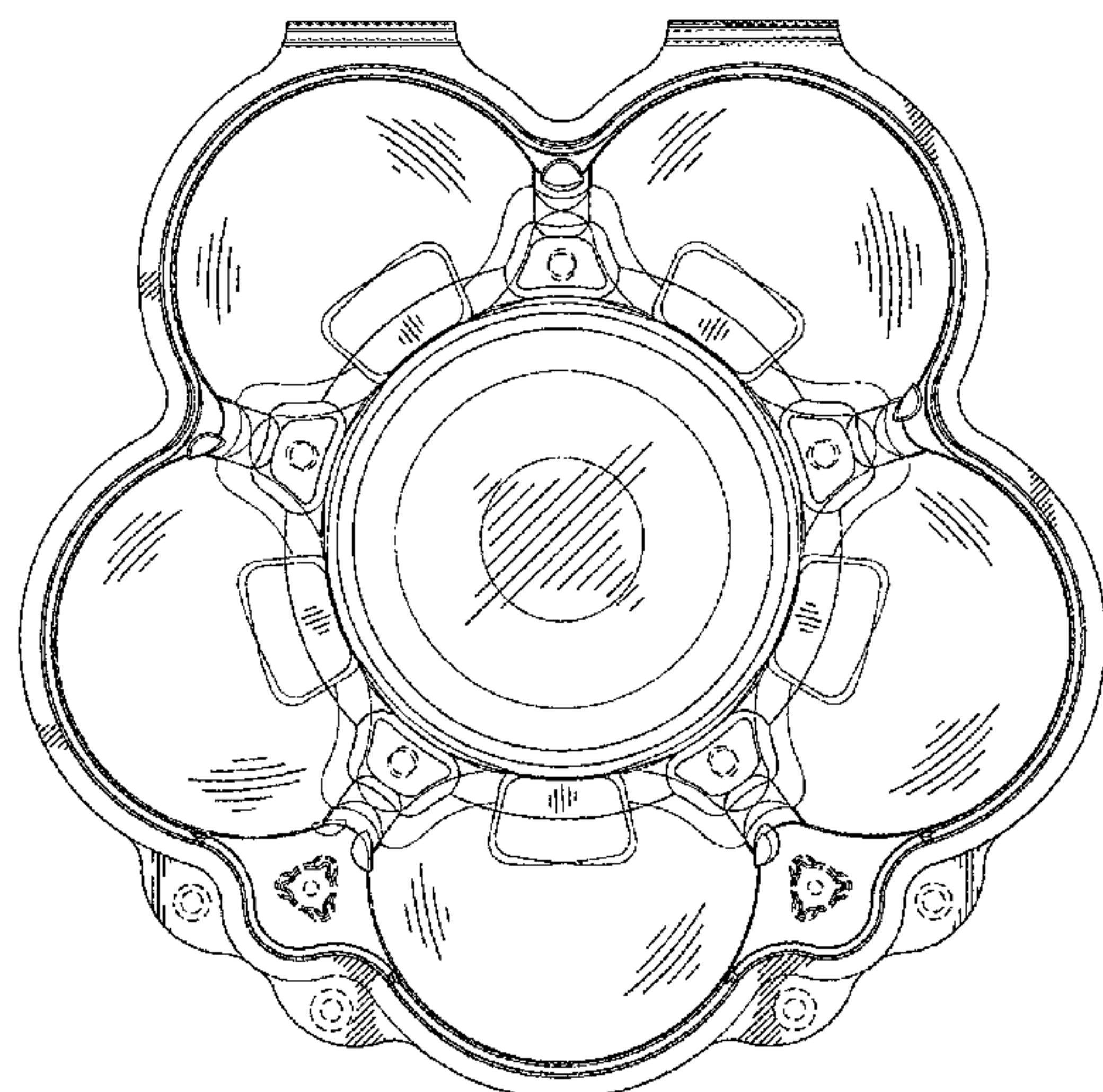
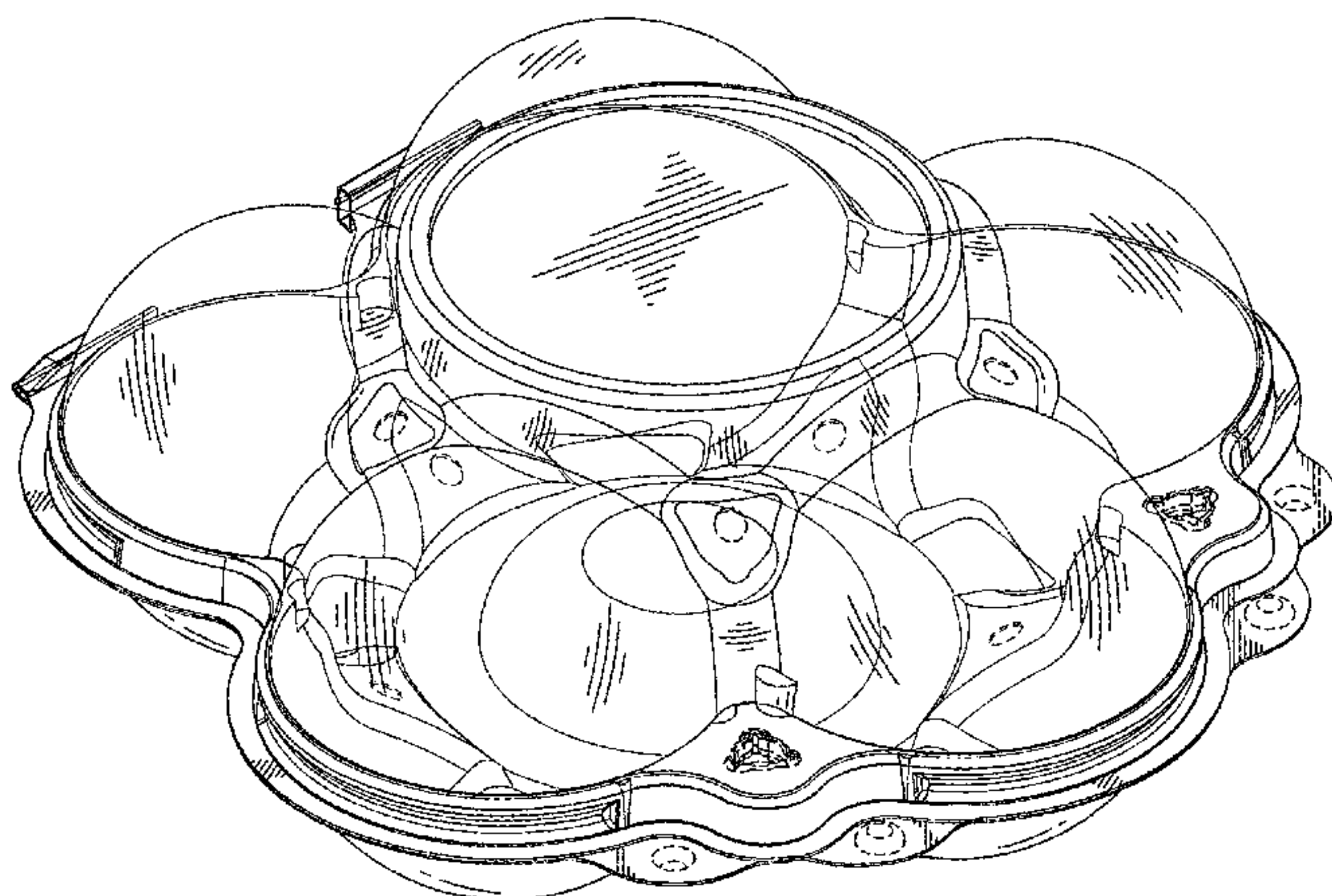
FIG. 6 is a top plan view thereof; and,

FIG. 7 is a bottom plan view thereof.

The broken lines shown in the figures represent unclaimed subject matter and form no part of the claimed design.

Internal structure lines seen through a transparent surface have been omitted in FIGS. 2-5 for ease of understanding.

1 Claim, 5 Drawing Sheets



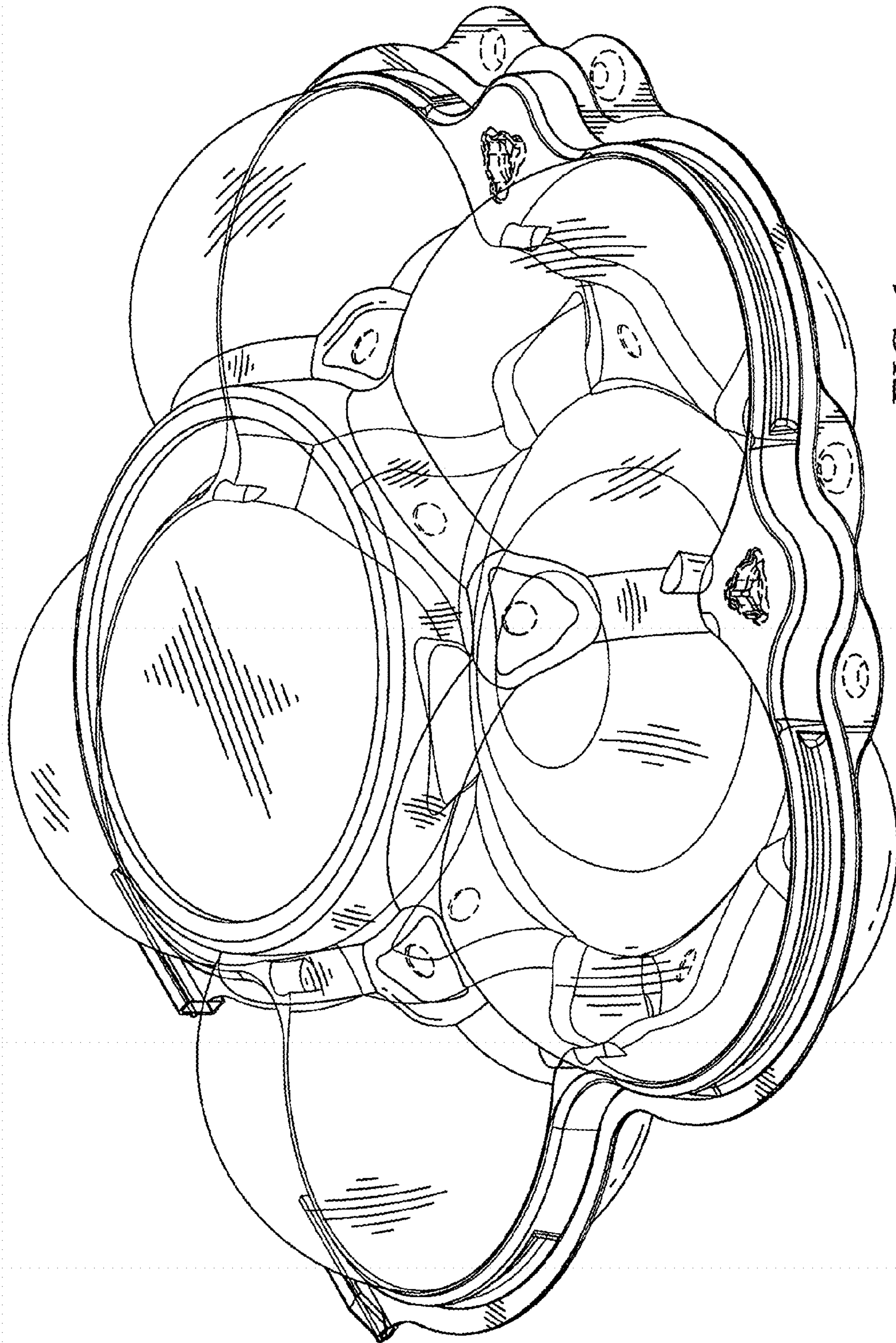


FIG. 1

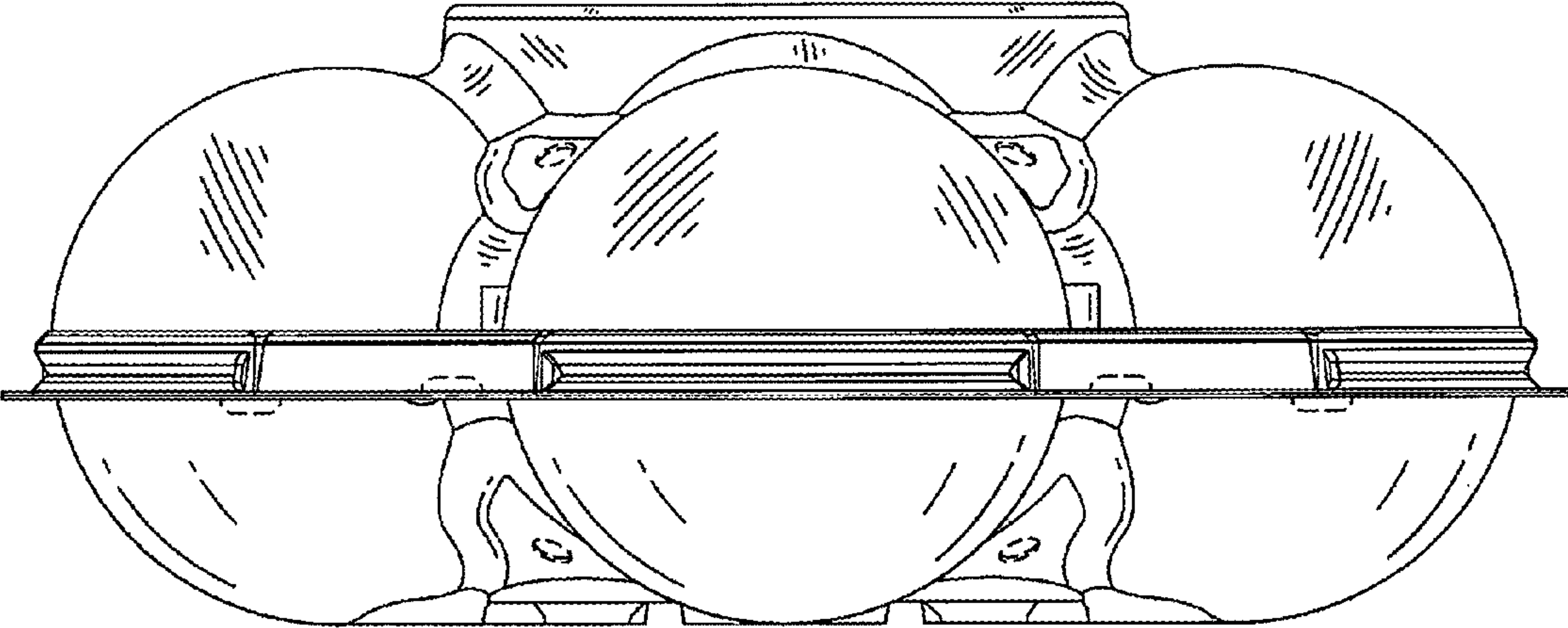


FIG. 2

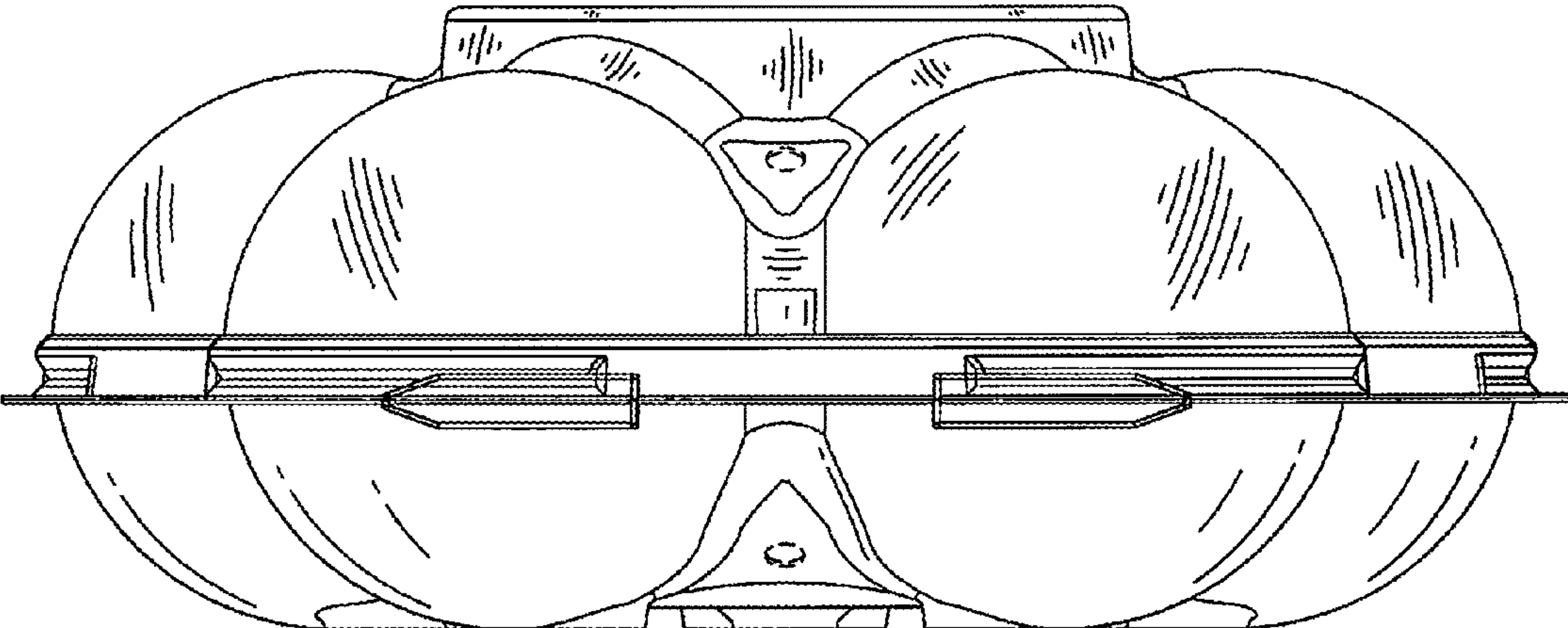


FIG. 3

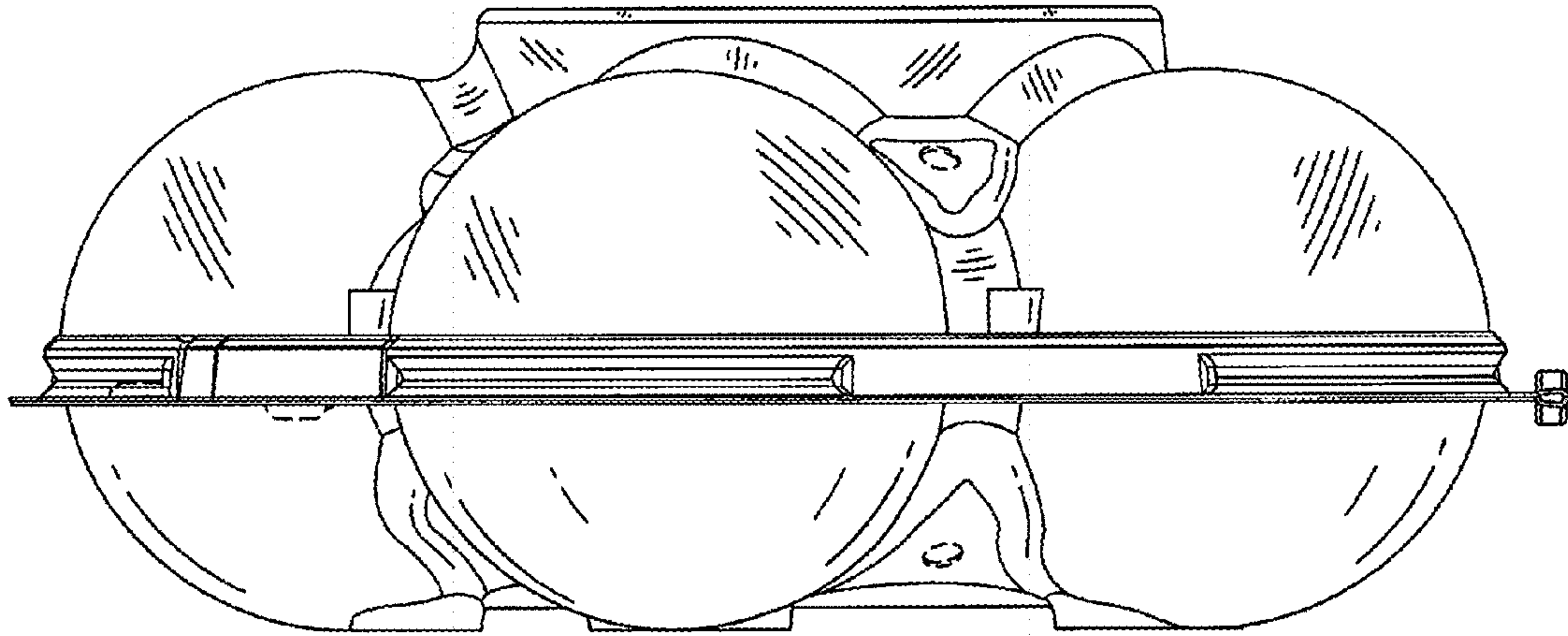


FIG. 4

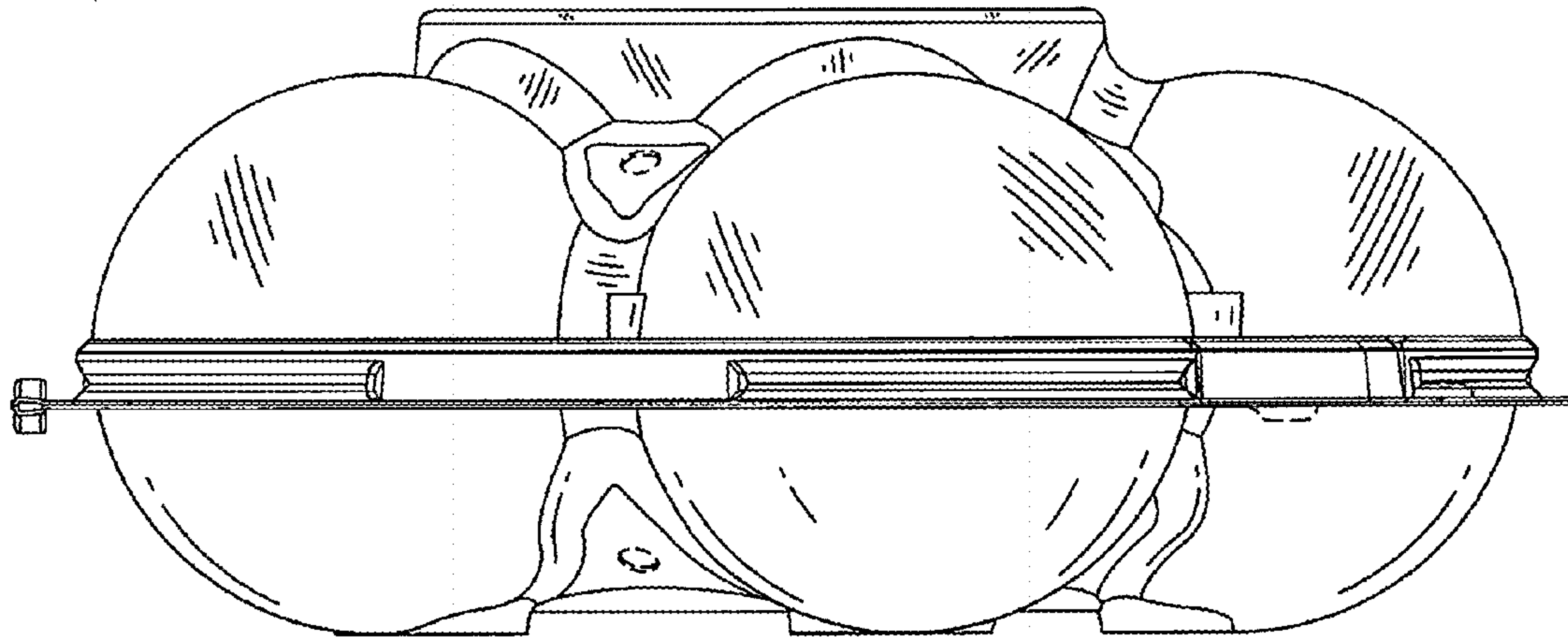


FIG. 5

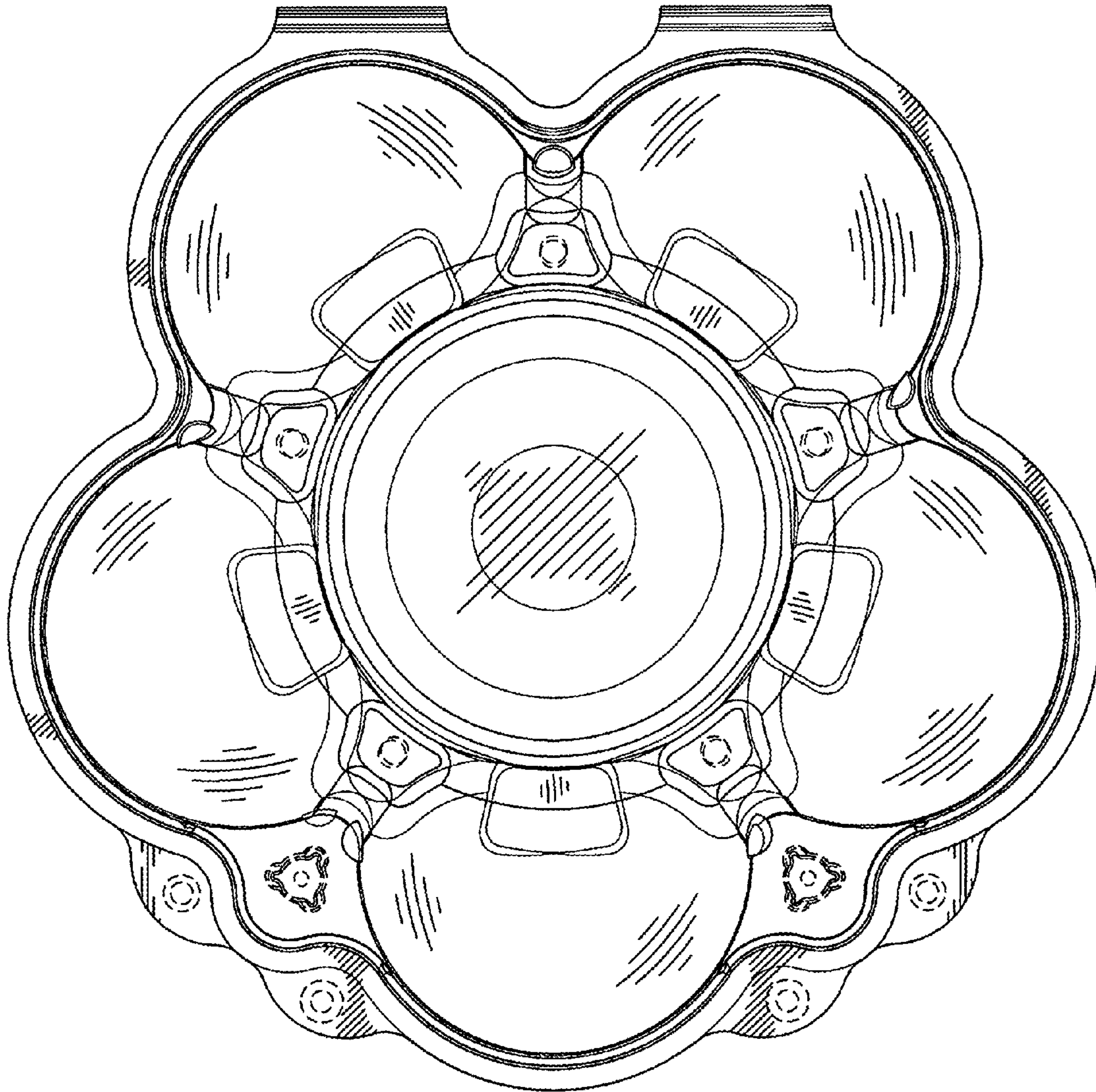


FIG. 6

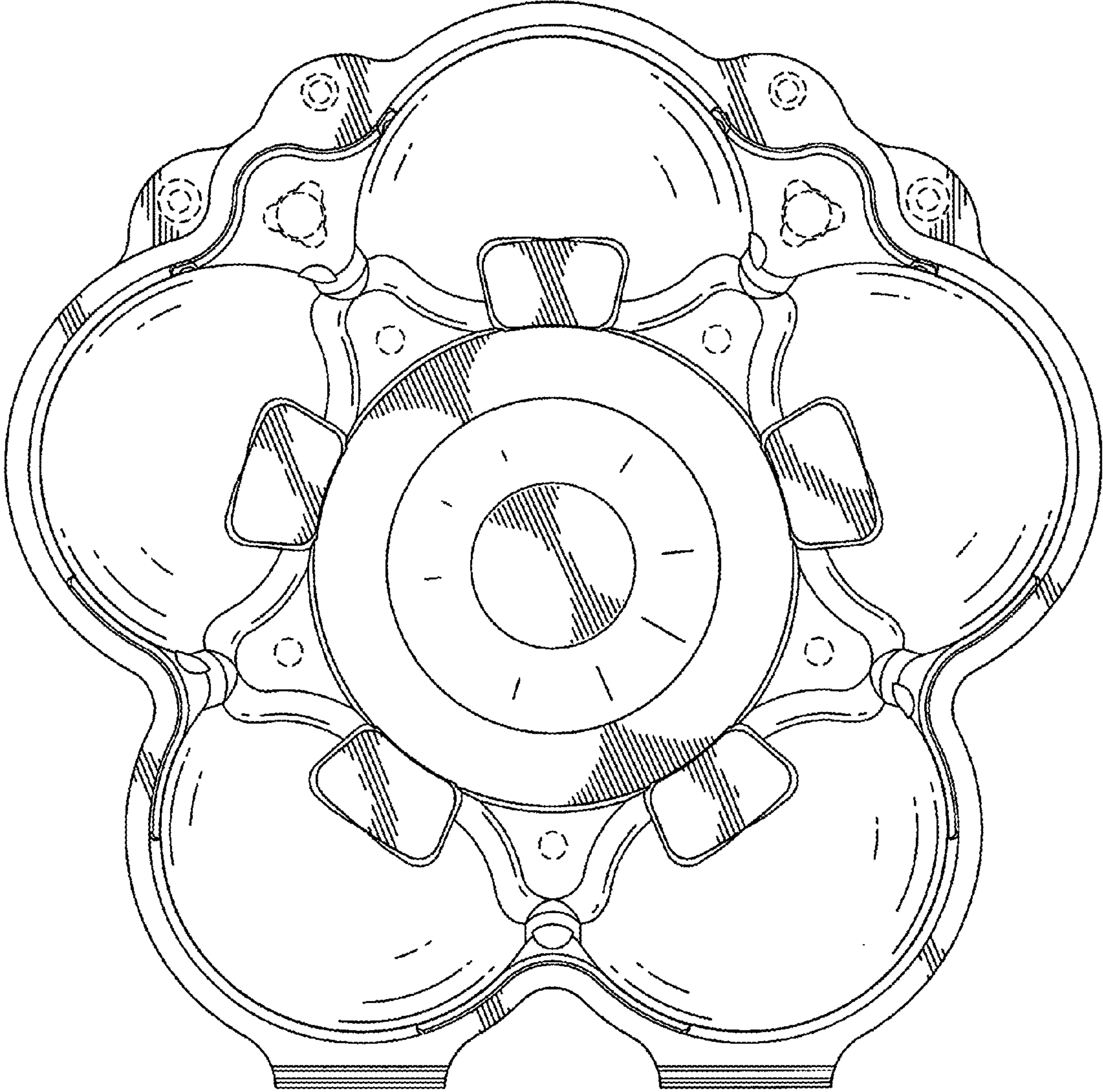


FIG. 7