



US00D758182S

(12) **United States Design Patent**  
**Sponselee**

(10) **Patent No.:** **US D758,182 S**  
(45) **Date of Patent:** **\*\* Jun. 7, 2016**

- (54) **ICE CREAM PACKAGING KIT**
- (71) Applicant: **Na Pali Coast Frozen Organics LLC**,  
San Diego, CA (US)
- (72) Inventor: **Quentin Sponselee**, San Diego, CA  
(US)
- (73) Assignee: **NA PALI COAST FROZEN  
ORGANICS LLC**, San Diego, CA (US)
- (\*\*) Term: **15 Years**
- (21) Appl. No.: **29/527,171**
- (22) Filed: **May 15, 2015**
- (51) **LOC (10) Cl.** ..... **09-03**
- (52) **U.S. Cl.**  
USPC ..... **D9/423**
- (58) **Field of Classification Search**  
USPC ..... D9/414, 420, 421, 423, 430-432, 433,  
D9/517, 499; 229/103.11, 117.16, 122.32;  
206/433, 593, 542; 493/95; 62/371;  
426/394  
CPC ..... B65D 65/44; B65D 81/05; B65D 81/127;  
B65D 77/0426; B65D 81/3825; F25D 3/06;  
F25D 2331/803; B32B 2439/62  
See application file for complete search history.

(56) **References Cited**

U.S. PATENT DOCUMENTS

- 2,287,312 A \* 6/1942 Kader ..... A47J 7/14  
126/261
- 3,204,759 A \* 9/1965 Palmer ..... B65D 5/42  
206/459.5
- 3,627,541 A \* 12/1971 Farquhar ..... B65D 5/2057  
229/103
- D287,821 S \* 1/1987 Holewinski ..... D9/414
- 4,890,787 A \* 1/1990 Liebel ..... B65D 5/566  
229/120.22
- 5,069,359 A \* 12/1991 Liebel ..... B65D 77/067  
222/105
- 5,154,309 A 10/1992 Wischusen et al.

- D339,389 S \* 9/1993 Peppin ..... D11/131
- 5,417,342 A \* 5/1995 Hutchison ..... B65D 5/68  
229/122.32
- 5,462,171 A \* 10/1995 Moog ..... B65D 81/113  
206/588

(Continued)

FOREIGN PATENT DOCUMENTS

WO 9007457 A1 7/1990

OTHER PUBLICATIONS

Poway Farmers Market, available Sep. 6, 2015, [online], [site visited Jan. 11, 2016]. Available from internet, <URL: [http://www.yelp.com/biz\\_photos/poway-farmers-market-poway?select=uAviHHEr0WbGysF-LwFNKA](http://www.yelp.com/biz_photos/poway-farmers-market-poway?select=uAviHHEr0WbGysF-LwFNKA)>.\*

(Continued)

*Primary Examiner* — Cathron Brooks  
*Assistant Examiner* — Teddy Falloway

(74) *Attorney, Agent, or Firm* — Procopio Cory Hargreaves and Savitch LLP; Pattric J. Rawlins

(57) **CLAIM**

The ornamental design for ice cream packaging kit, as shown and described.

**DESCRIPTION**

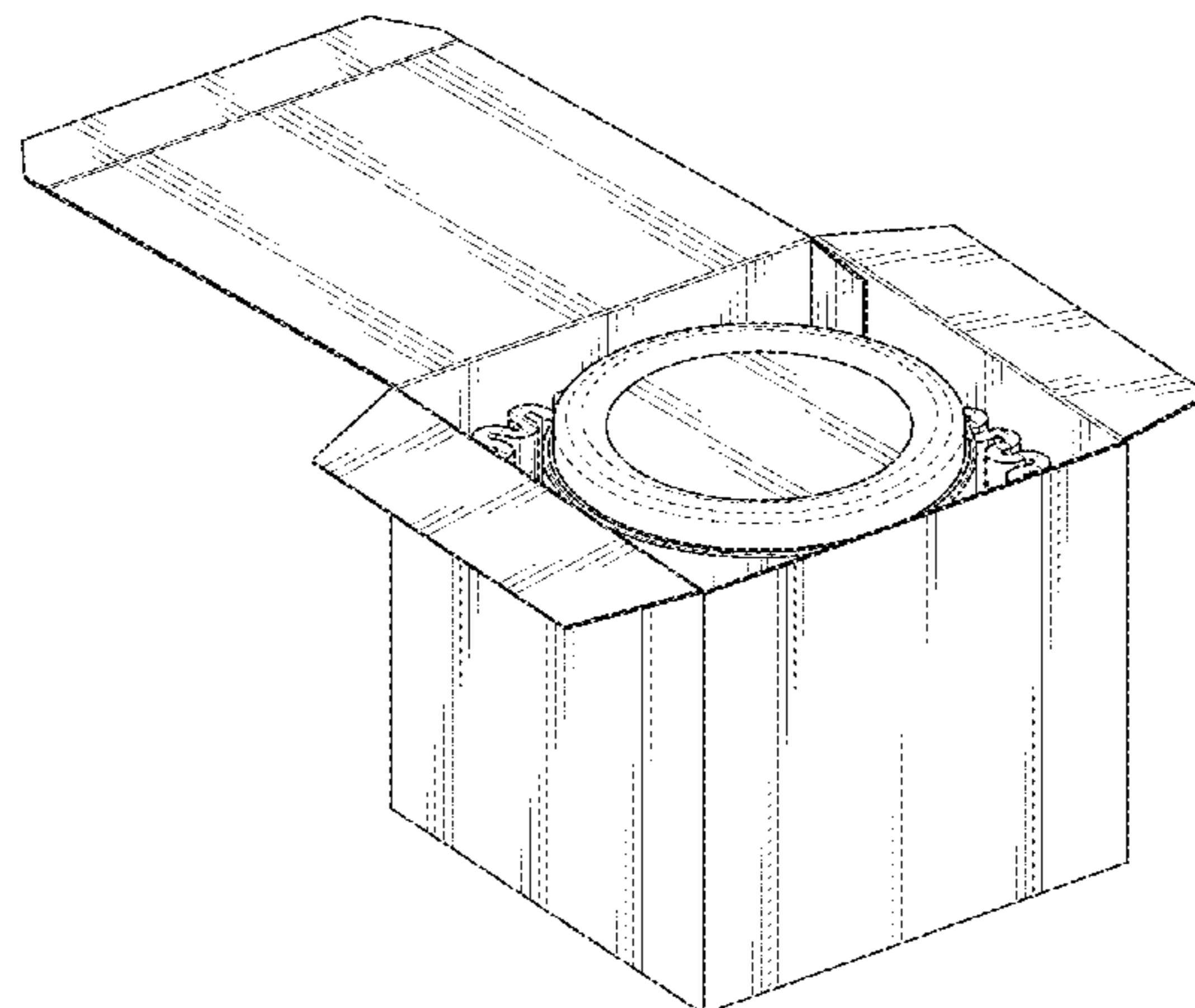
FIG. 1 shows an angled front view of an ice cream packaging kit according to the present invention, wherein the broken lines are included for the purpose of illustrating a portion of the kit that forms no part of the claimed design.

FIG. 2 shows an angled back view of an ice cream packaging kit according to the present invention, wherein the broken lines are included for the purpose of illustrating a portion of the kit that forms no part of the claimed design.

FIG. 3 shows a front view of an ice cream packaging kit according to the present invention, wherein the broken lines are included for the purpose of illustrating a portion of the kit that forms no part of the claimed design; and,

FIG. 4 shows a top view of an ice cream packaging kit according to the present invention, wherein the broken lines are included for the purpose of illustrating a portion of the kit that forms no part of the claimed design.

**1 Claim, 4 Drawing Sheets**



(56)

**References Cited**

U.S. PATENT DOCUMENTS

5,642,833 A \* 7/1997 Ring ..... B65D 77/0426  
220/23.87  
5,979,693 A \* 11/1999 Bane, III ..... B65D 81/3825  
220/23.9  
6,053,324 A \* 4/2000 Weder ..... B65B 55/20  
206/584  
6,116,042 A \* 9/2000 Purdum ..... F25D 3/06  
62/371  
D449,525 S \* 10/2001 Sturgess ..... D9/432  
6,536,654 B2 3/2003 Reynolds et al.  
D489,143 S \* 4/2004 Clarkson ..... D26/9  
D499,022 S \* 11/2004 Sun ..... D9/432  
6,910,582 B2 \* 6/2005 Lantz ..... B65D 5/48038  
206/438  
7,452,316 B2 \* 11/2008 Cals ..... B65D 81/127  
206/591  
7,644,858 B2 \* 1/2010 Glaser ..... B65D 5/4806  
229/117.16  
8,763,886 B2 7/2014 Hall  
8,875,885 B2 \* 11/2014 Padden ..... B65D 81/022  
206/433

2002/0117540 A1\* 8/2002 Reynolds ..... B65D 5/48  
229/120.29  
2007/0051782 A1 3/2007 Lantz  
2011/0042449 A1\* 2/2011 Copenhaver ..... B65D 81/382  
229/103.11  
2011/0100868 A1 5/2011 Lantz  
2011/0114513 A1 5/2011 Miller  
2011/0284556 A1 11/2011 Palmer et al.  
2014/0144161 A1 5/2014 Pointer et al.  
2014/0151382 A1\* 6/2014 White ..... B65D 81/3862  
220/592.2

OTHER PUBLICATIONS

Honey Gift Box Sampler, available Nov. 24, 2012, [online], [site visited Jan. 11, 2016]. Available from internet, <URL: <https://waxingkara.com/product/small-honey-sampler-gift-set/#reviews>.  
Earnest Ice Cream, TheZeroMarket.com, Accessed Apr. 9, 2015, 1 page.  
Meyers, Victoria, "Review: Tropical Traditions Gold Label Virgin Coconut Oil," BearShirt.org, Accessed Apr. 9, 2015, 7 pages.  
WebstaurantStore.com, "Polar Tech Thermo Chill General Shipper with Foam and Carton," Accessed Apr. 9, 2015, 3 pages.

\* cited by examiner

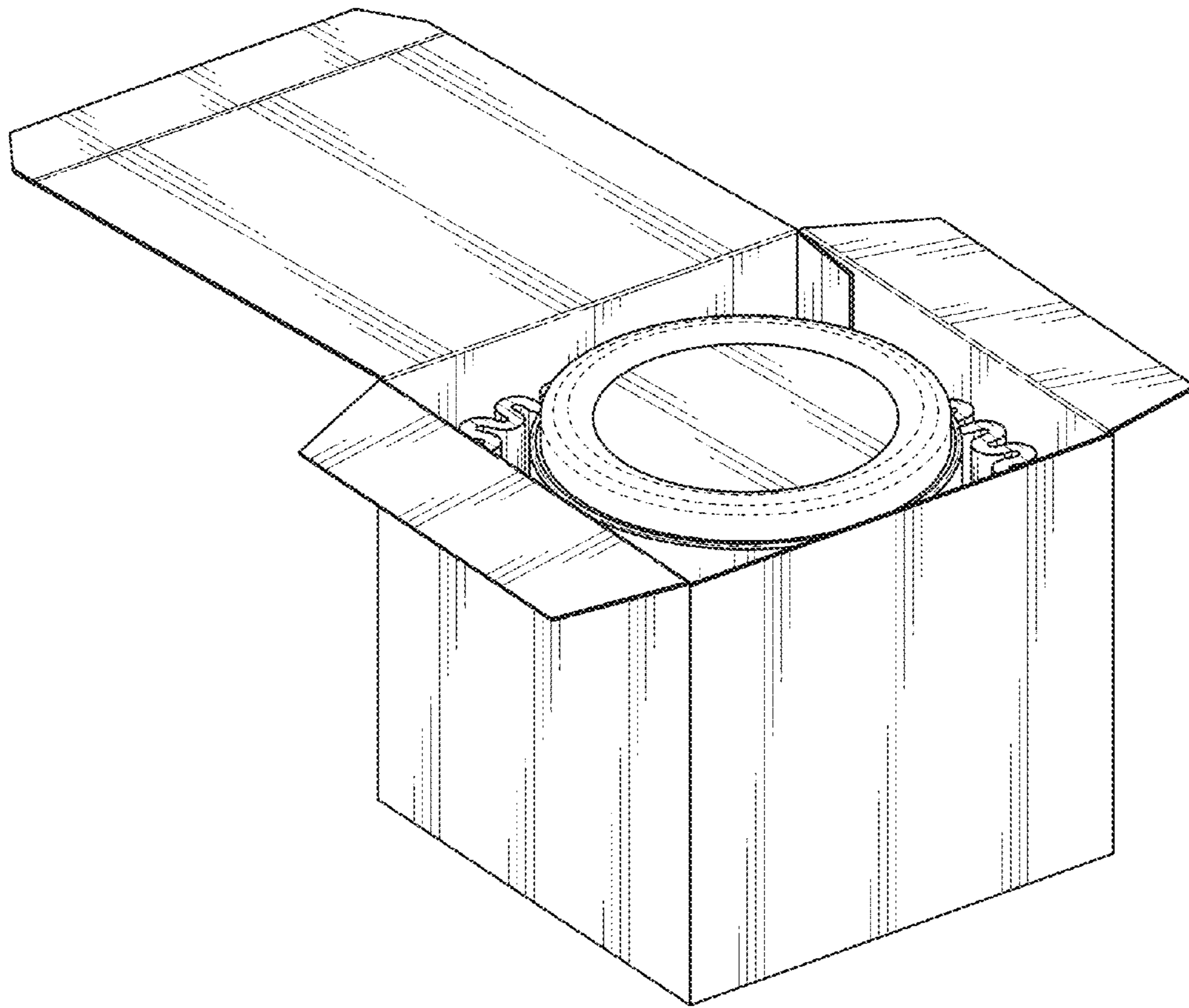


FIG. 1

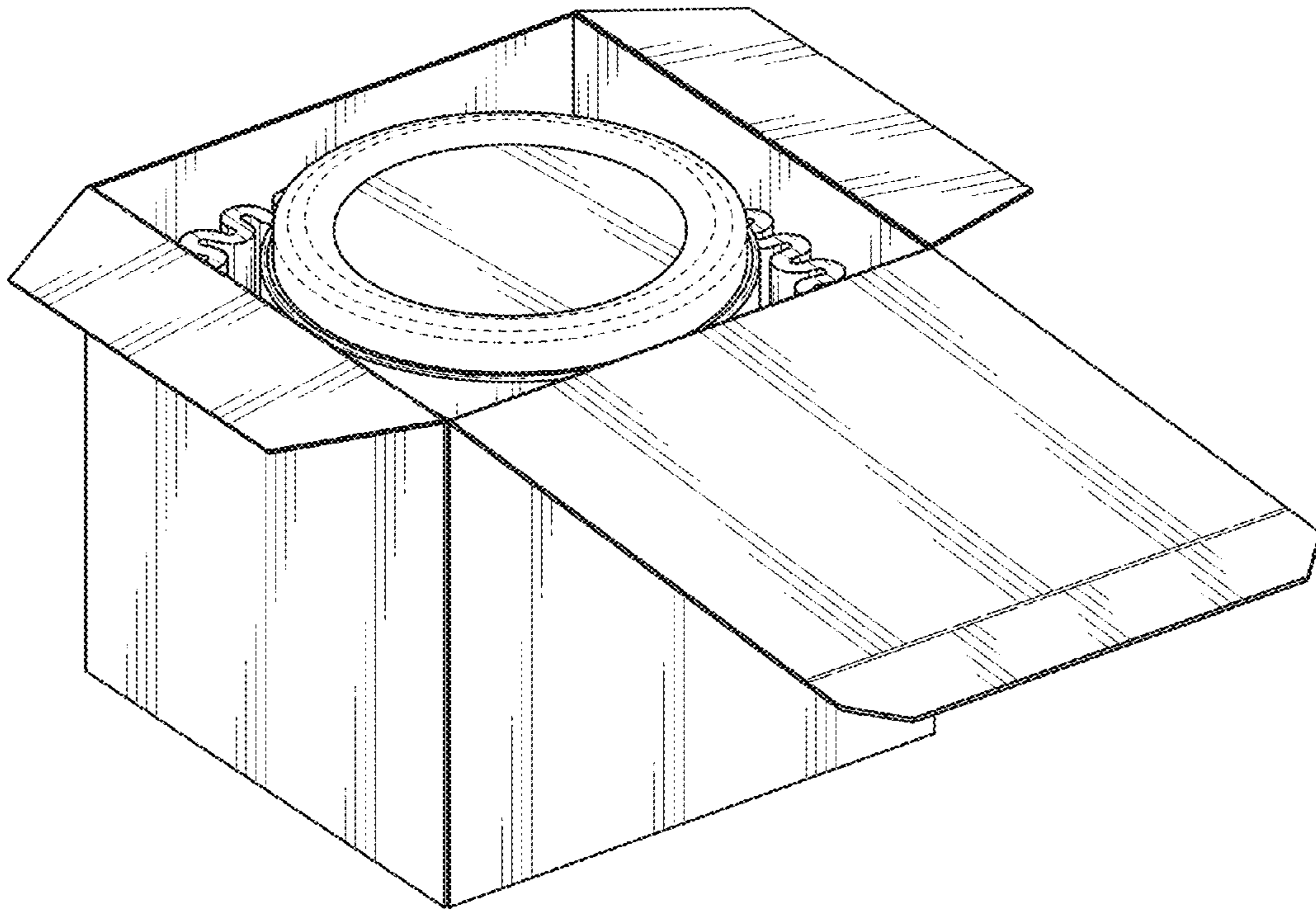


FIG. 2

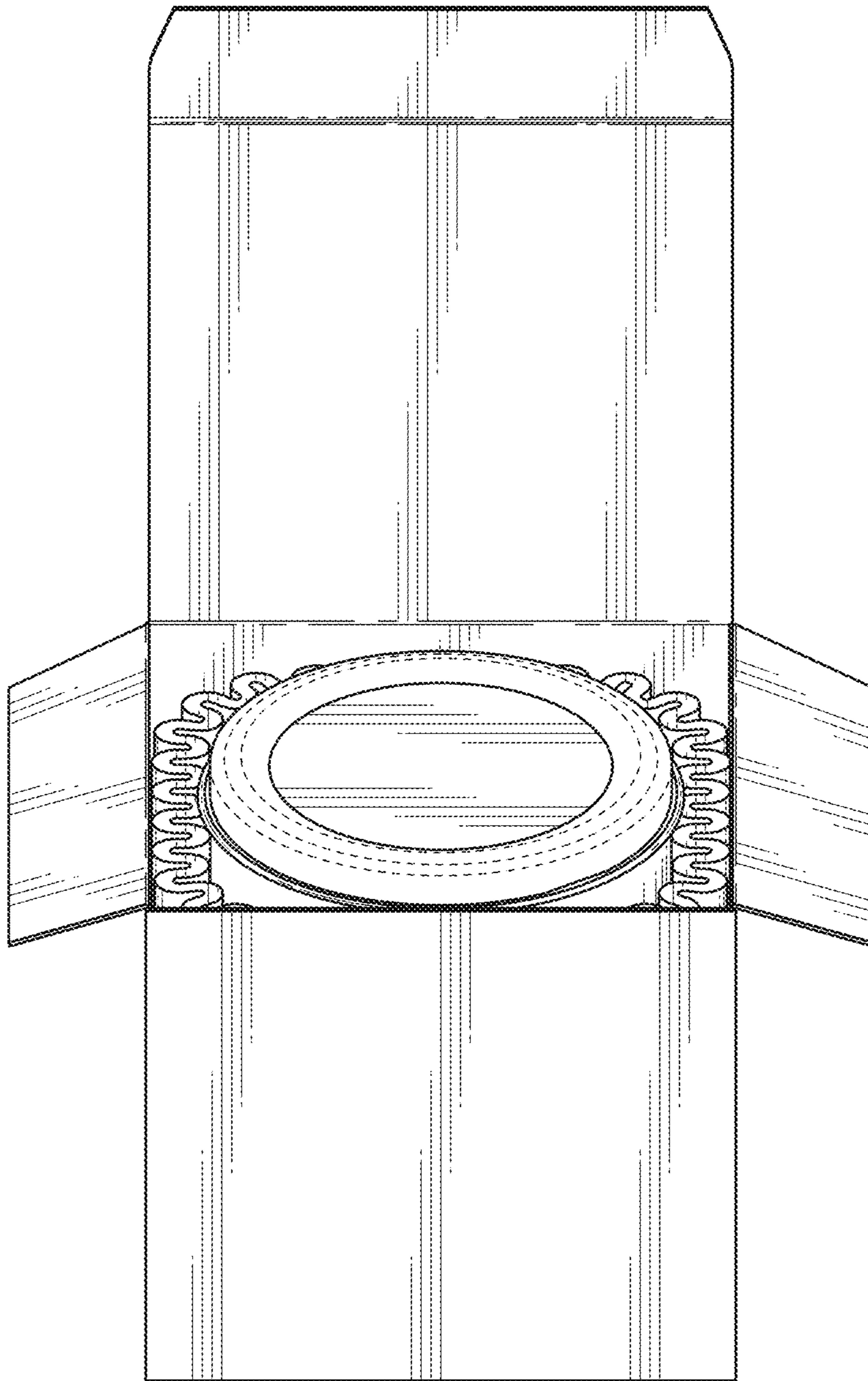


FIG. 3

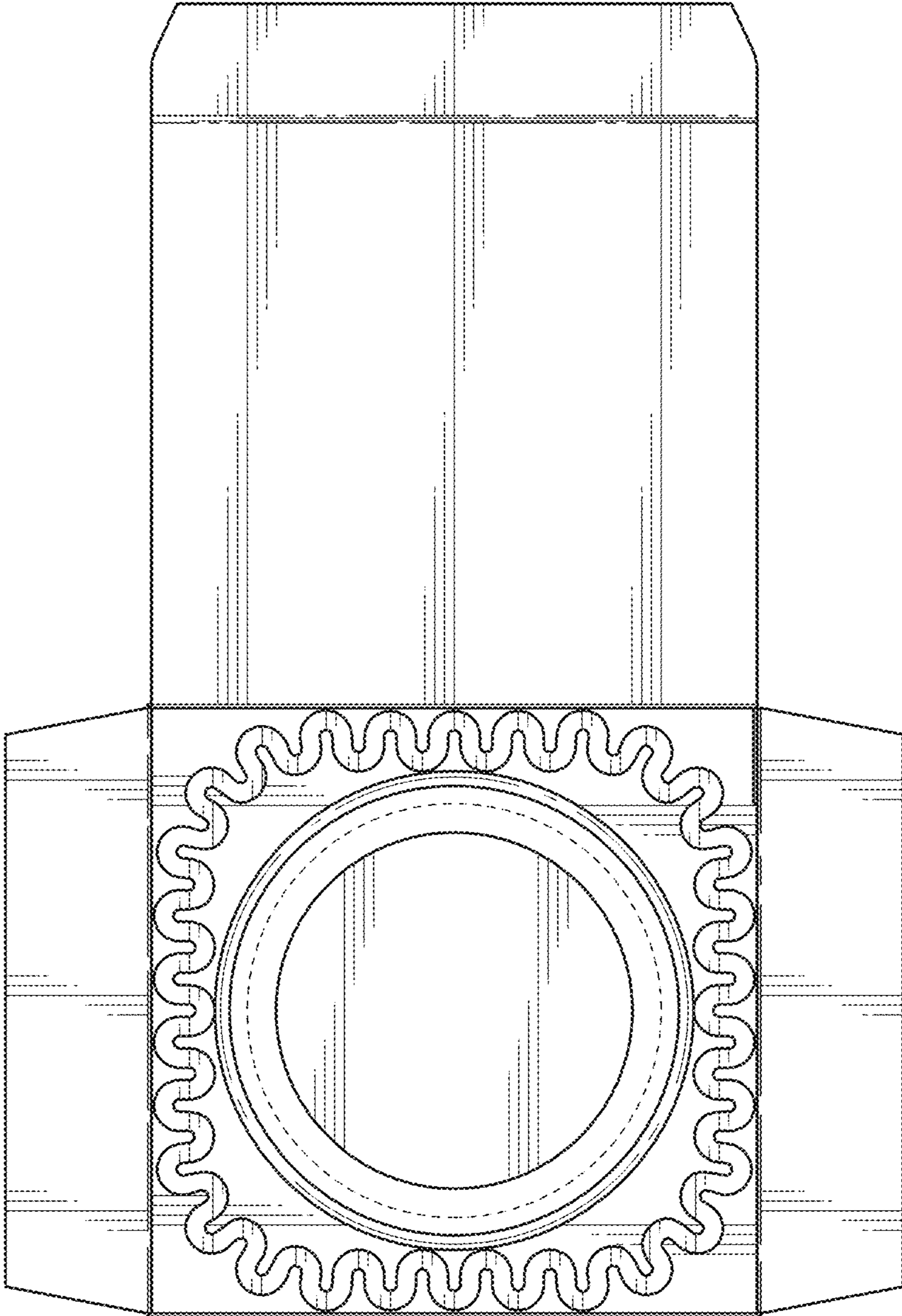


FIG. 4