



US00D758181S

(12) **United States Design Patent**
Lutz et al.

(10) **Patent No.:** **US D758,181 S**
(45) **Date of Patent:** **** Jun. 7, 2016**

(54) **PERFORATED CARTON**

(71) Applicant: **Target Brands, Inc.**, Minneapolis, MN (US)

(72) Inventors: **Michael J. Lutz**, Minneapolis, MN (US); **Mary Alexandra Bendall**, Chicago, IL (US)

(73) Assignee: **Target Brands, Inc.**, Minneapolis, MN (US)

(**) Term: **14 Years**

(21) Appl. No.: **29/515,348**

(22) Filed: **Jan. 22, 2015**

(51) **LOC (10) Cl.** **09-03**

(52) **U.S. Cl.**
USPC **D9/416**

(58) **Field of Classification Search**
USPC D9/414-419, 434, 423, 432, 430, 499, D9/28; D19/75; D14/125; D6/515; 206/763; 229/116.1
CPC B65D 5/029; B65D 5/2009
See application file for complete search history.

(56) **References Cited**

U.S. PATENT DOCUMENTS

922,277 A	5/1909	Gowing
1,000,624 A	8/1911	Pexton
1,378,533 A	5/1921	Fitz Gerald
1,645,771 A	10/1927	Pillsbury
1,875,781 A	7/1930	Turner

(Continued)

FOREIGN PATENT DOCUMENTS

EP 0936153 A1 8/1999

OTHER PUBLICATIONS

Ahi, "Interplast Group Commercial Can Liners", <http://www.ahitexas.com/ItemDisplayF.aspx?D1=Commercial-Can-Liners-Per->

forated-Roll-16gal-24-x-33-Natural-1000Carton &ItemID=IBSEC243306N&ProductReferenceRecID=0, at least as early as May 14, 2014, 1 page.

(Continued)

Primary Examiner — Holly Baynham

Assistant Examiner — Rhea Shields

(74) *Attorney, Agent, or Firm* — Leanne Taveggia Farrell; Westman, Champlin & Koehler, P.A.

(57) **CLAIM**

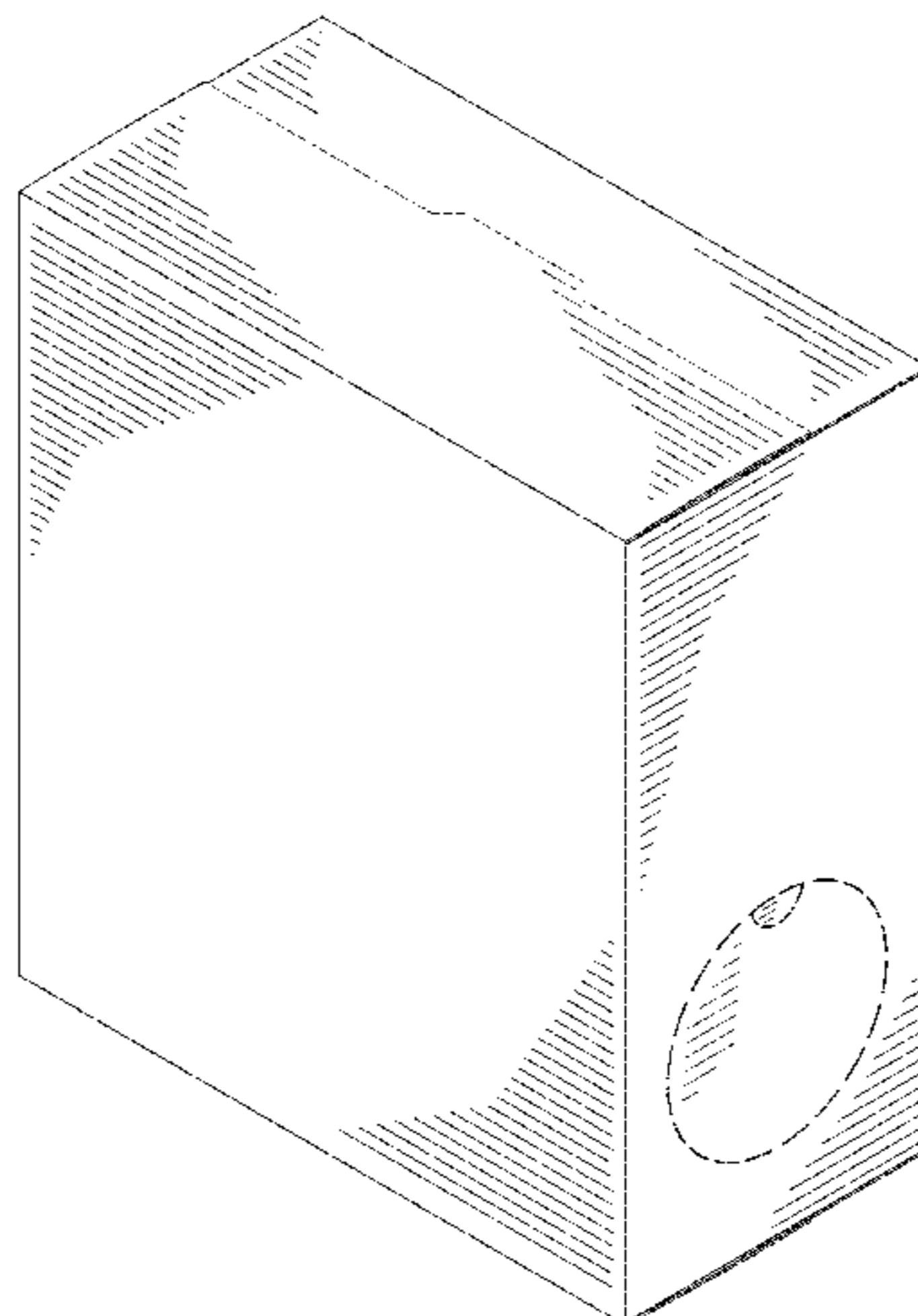
The ornamental design for a perforated carton, as shown and described.

DESCRIPTION

FIG. 1 is a perspective view of a perforated carton showing our new design;
FIG. 2 is a right side view thereof;
FIG. 3 is a left side view thereof;
FIG. 4 is a top view thereof;
FIG. 5 is a bottom view thereof;
FIG. 6 is a back view thereof;
FIG. 7 is a partial enlarged view of the center top of the perforated carton as indicated by the broken line circle in FIG. 6;
FIG. 8 is a partial enlarged view of the center bottom of the perforated carton as indicated by the broken line circle in FIG. 6;
FIG. 9 is a front view thereof;
FIG. 10 is a partial enlarged view of the center top of the perforated carton as indicated by the broken line circle in FIG. 9; and,
FIG. 11 is a partial enlarged view of the center bottom of the perforated carton as indicated by the broken line circle in FIG. 9.

In the drawings, the evenly spaced smaller broken lines are for the purpose of illustrating environment only and form no part of the claimed design. The larger evenly spaced broken lines are for the purpose of illustrating perforations that are part of the claimed design.

1 Claim, 6 Drawing Sheets



(56)

References Cited

U.S. PATENT DOCUMENTS

2,036,109 A 7/1935 Trangas
 2,909,310 A 10/1959 Govang
 3,153,504 A 10/1964 Mischel et al.
 3,416,719 A 12/1968 Pilger
 3,478,948 A 11/1969 Dornbush
 4,039,118 A 8/1977 Kawaoka
 D270,041 S 8/1983 Vestal
 D274,824 S * 7/1984 Hunt D19/28
 4,673,125 A 6/1987 Weaver
 D320,557 S * 10/1991 Schuster D9/418
 D333,781 S 3/1993 Kobel
 5,249,737 A 10/1993 Fritz et al.
 D343,512 S * 1/1994 Tse D19/75
 5,332,146 A * 7/1994 Brauner B65D 5/029
 229/116.1
 5,458,272 A 10/1995 Ward-Weber
 6,112,979 A 9/2000 Deger
 D439,886 S * 4/2001 Frank D14/125
 D486,390 S * 2/2004 Auclair D9/416
 6,715,639 B2 4/2004 Spivey
 D491,059 S 6/2004 Kim
 D504,812 S 5/2005 Keberlein et al.
 D510,519 S 10/2005 Katayama et al.
 D553,496 S * 10/2007 Martuch D9/432
 D569,719 S * 5/2008 Ross D9/416
 D573,014 S 7/2008 Hetrick
 D587,997 S * 3/2009 Gross D9/432
 7,546,924 B2 * 6/2009 Oliveira B65D 5/2009
 206/763
 D610,447 S * 2/2010 Seum D9/418
 7,717,838 B2 5/2010 Strong et al.
 D619,453 S * 7/2010 Petaccia D9/418
 D622,989 S * 9/2010 Lagler D6/515
 D623,515 S * 9/2010 Gordon D9/432
 D635,454 S * 4/2011 Witte D9/416
 D643,283 S * 8/2011 Witte D9/416

8,061,587 B2 11/2011 Blin
 8,118,212 B2 2/2012 Miller
 D669,348 S 10/2012 Bernstein et al.
 D671,425 S * 11/2012 Huljak D9/418
 D672,640 S * 12/2012 Boissinot D9/418
 D674,691 S * 1/2013 Martineck D9/432
 D675,514 S * 2/2013 Baker D9/416
 D679,582 S * 4/2013 Witte D9/416
 8,408,419 B2 4/2013 Rippl et al.
 D695,605 S * 12/2013 Johnson D9/423
 D705,053 S * 5/2014 Nameth D9/432
 D705,054 S * 5/2014 McCarthy D9/432
 D706,629 S * 6/2014 Bartels D9/434
 D710,687 S * 8/2014 Katopo D9/432
 D716,651 S * 11/2014 Abel D9/434
 D721,575 S * 1/2015 Paboojian D9/423
 D745,389 S * 12/2015 Roquemore D9/418
 D746,677 S * 1/2016 Candelaria D9/430
 D747,188 S * 1/2016 Candelaria D9/430
 D747,197 S * 1/2016 Bartels D9/434
 D749,942 S * 2/2016 Clough D9/418
 D749,945 S * 2/2016 Katopo D9/432

OTHER PUBLICATIONS

OfficeZilla, "Georgia Pacific Professional Two-Play Embossed Bath Tissue", <http://www.officezilla.com/p-two-ply-embossed-bath-tissue-dispenser-box-550-sheetsroll-40-rollscarton-GPC1824001.aspx>, at least as early as Jan. 21, 2015, 1 page.
 Image of a Tea Box, at least as early as May 16, 2014, 1 page.
 Cleaners Supermarket, "Tork Heavy Duty Cleaning Cloth Folded (Handy Box)", <http://www.cleaningshop.com.au/contents/en-us/p5929.html>, at least as early as Jan. 21, 2015, 1 page.
 Amazon, "Sealed Air Bubble Wrap 100002037 Ready-to-Roll Air Cellular Cushioning Dispenser Carton", <http://www.amazon.com/Quality-Sealed-Air-Dispenser-SEL88655/dp/B001A1NDTI>, at least as early as May 16, 2014, 1 page.

* cited by examiner

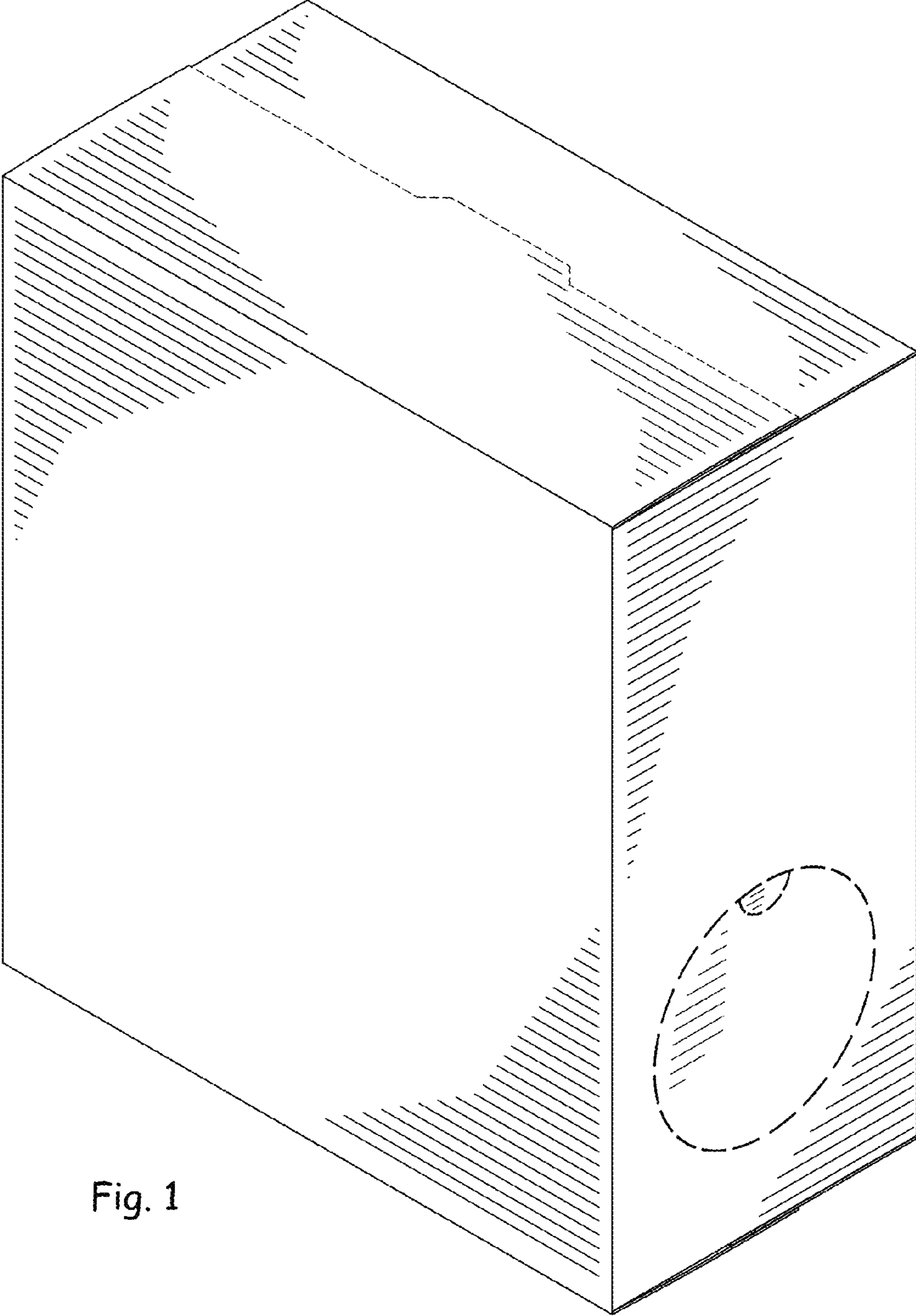


Fig. 1

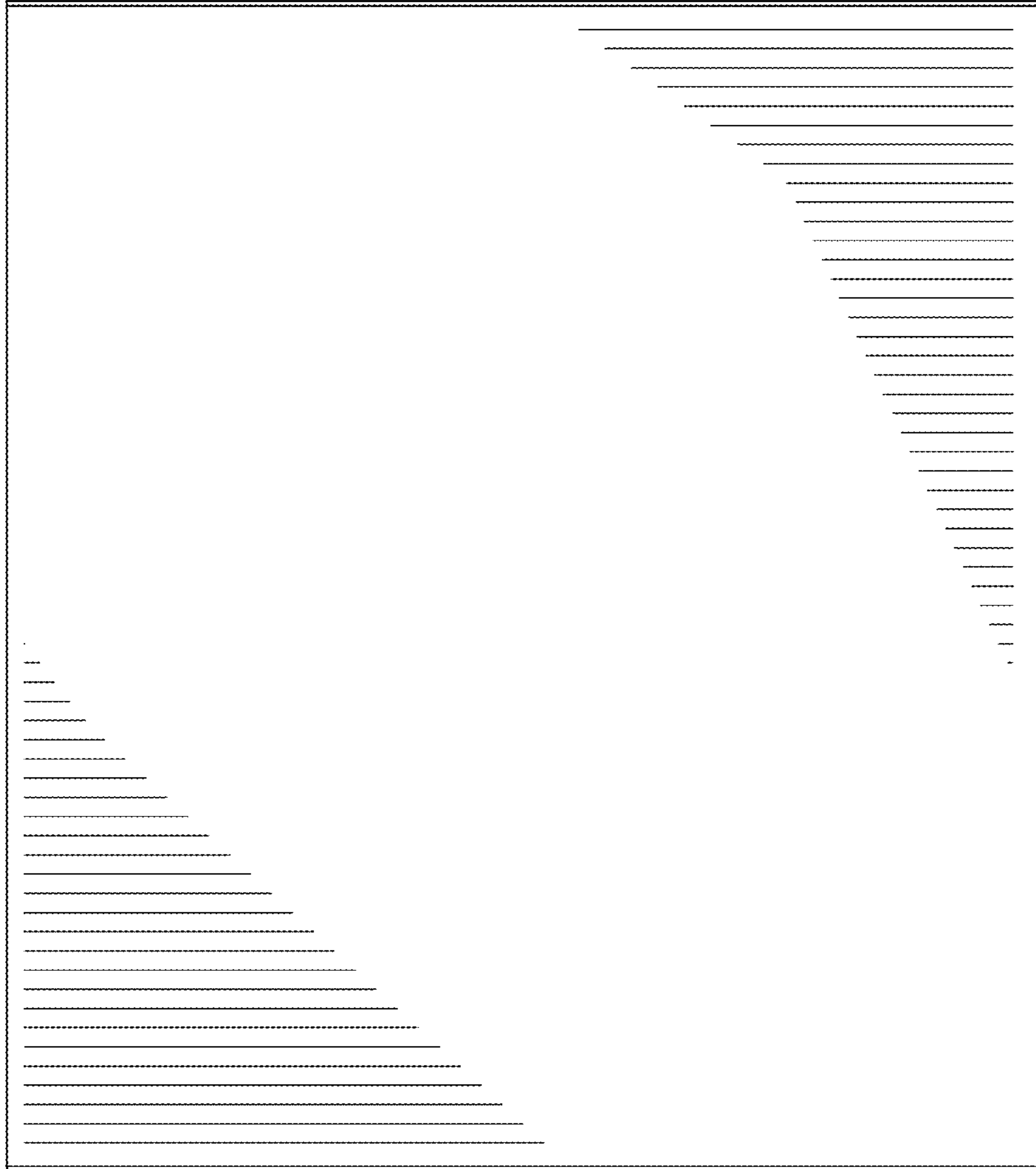


Fig. 2

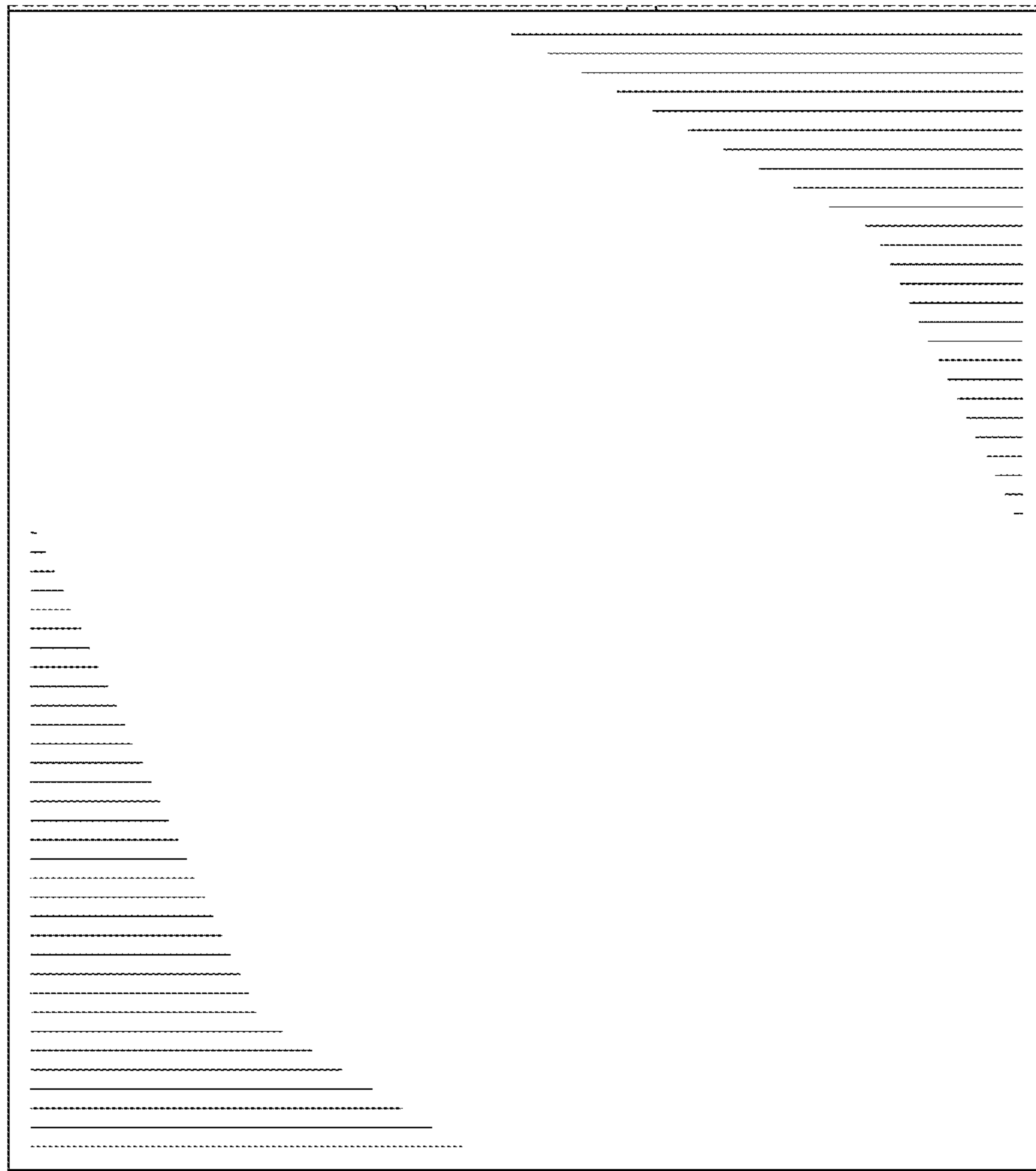


Fig. 3

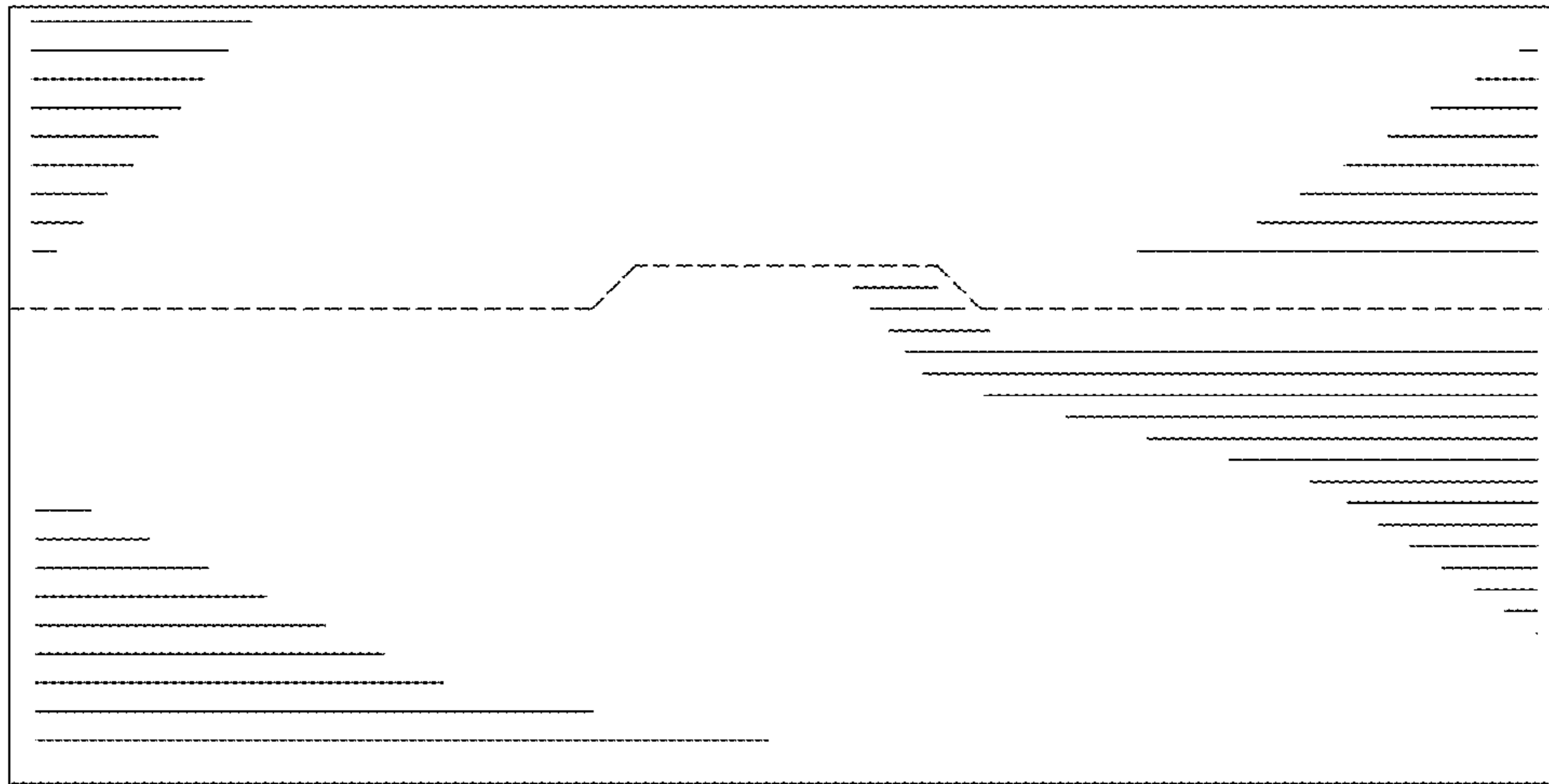


Fig. 4

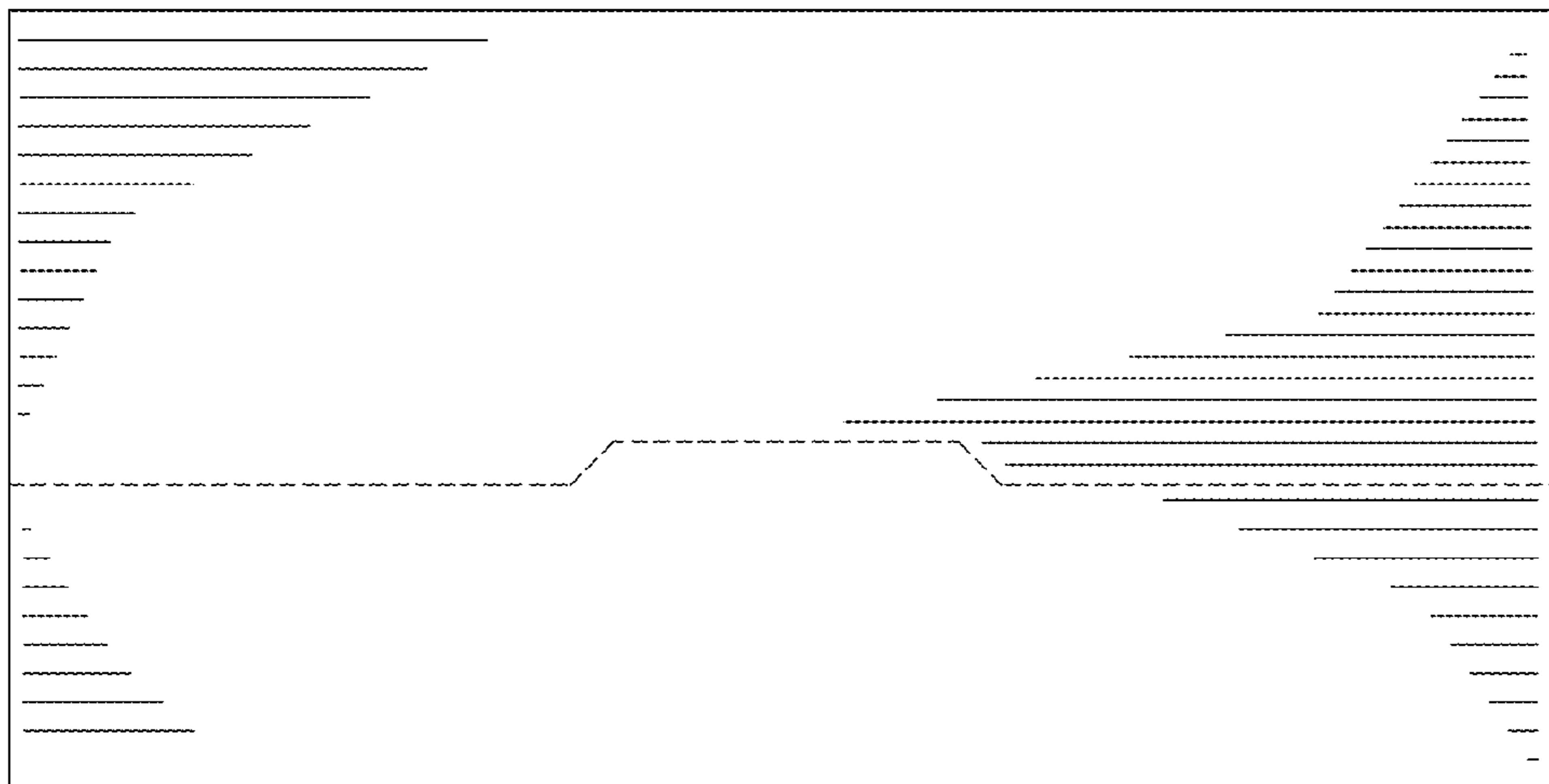


Fig. 5

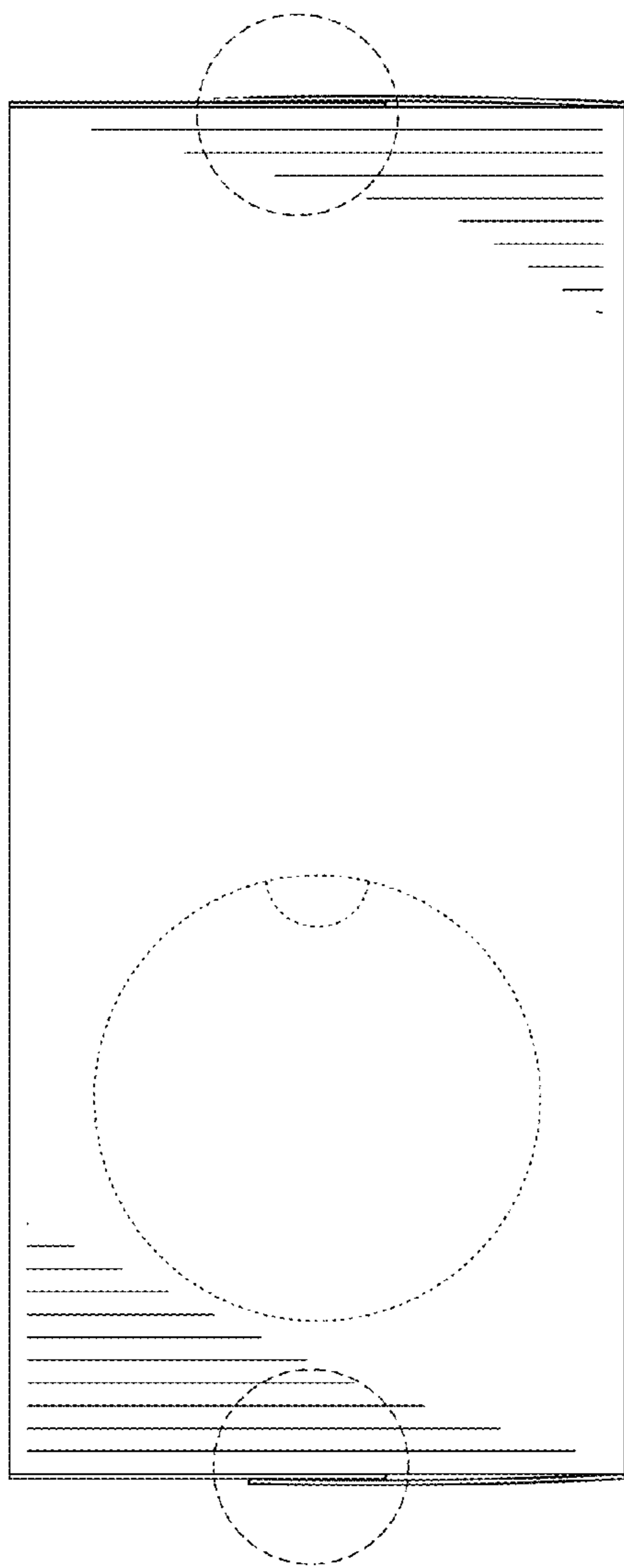


Fig. 6

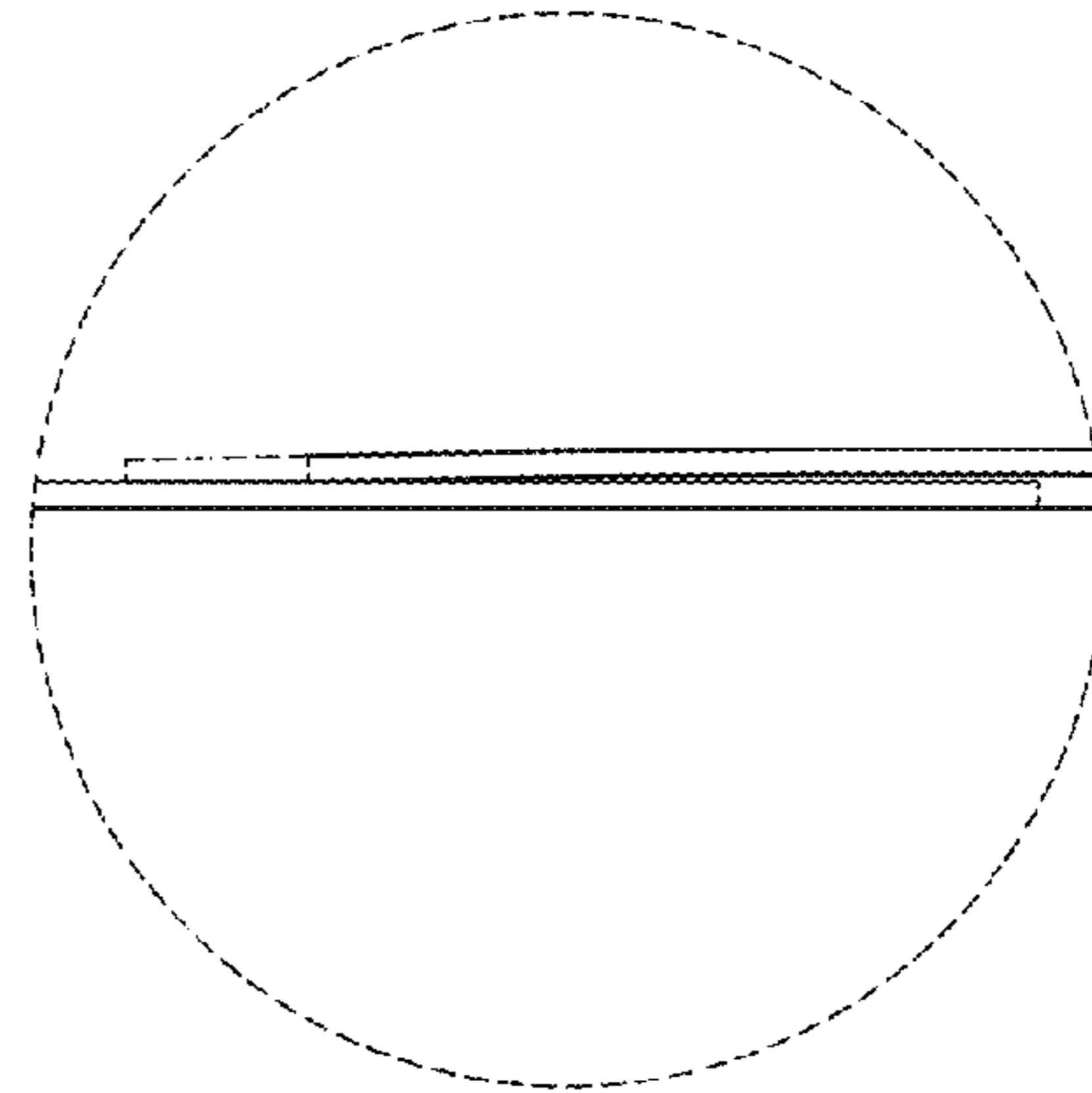


Fig. 7

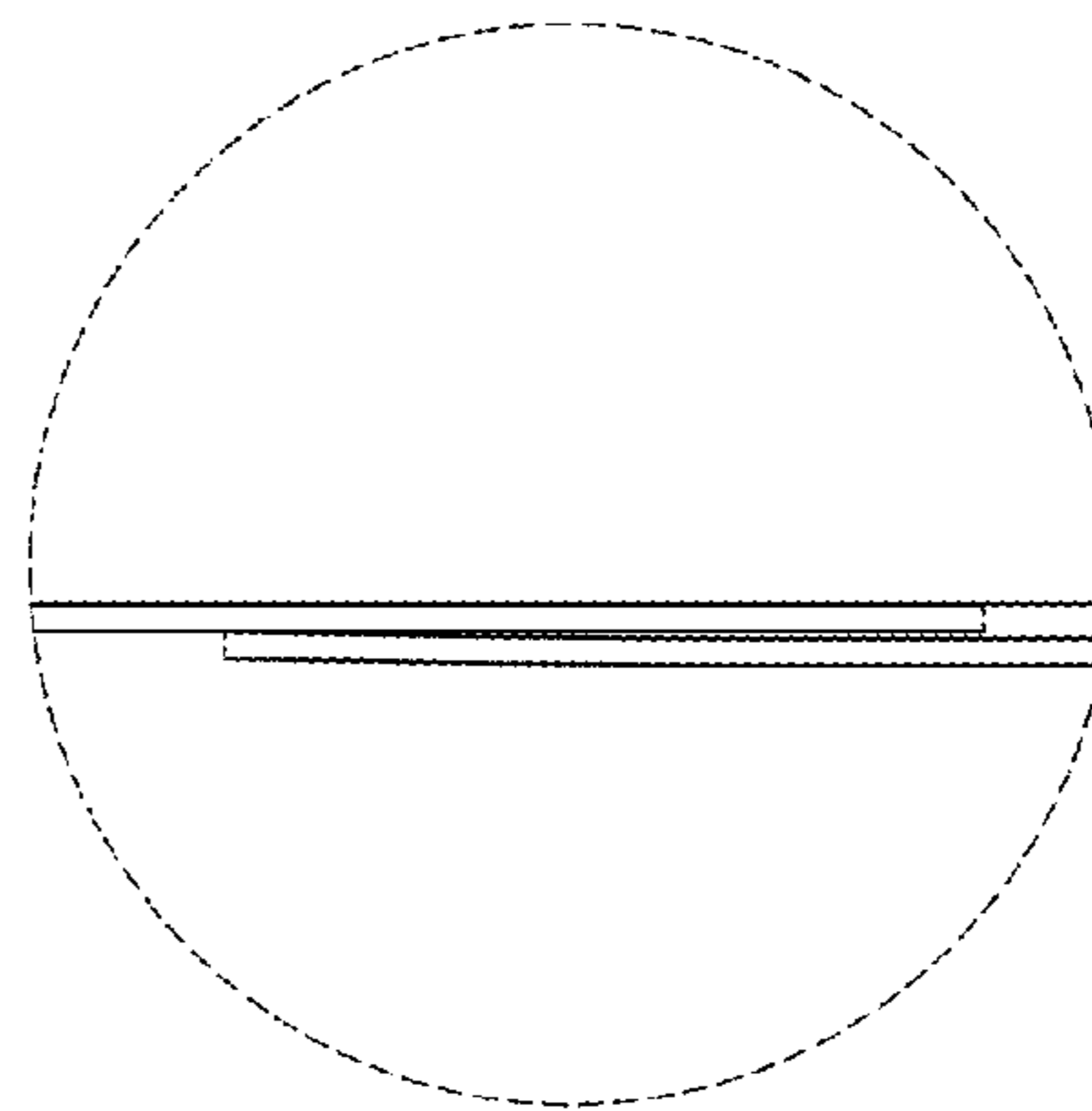


Fig. 8

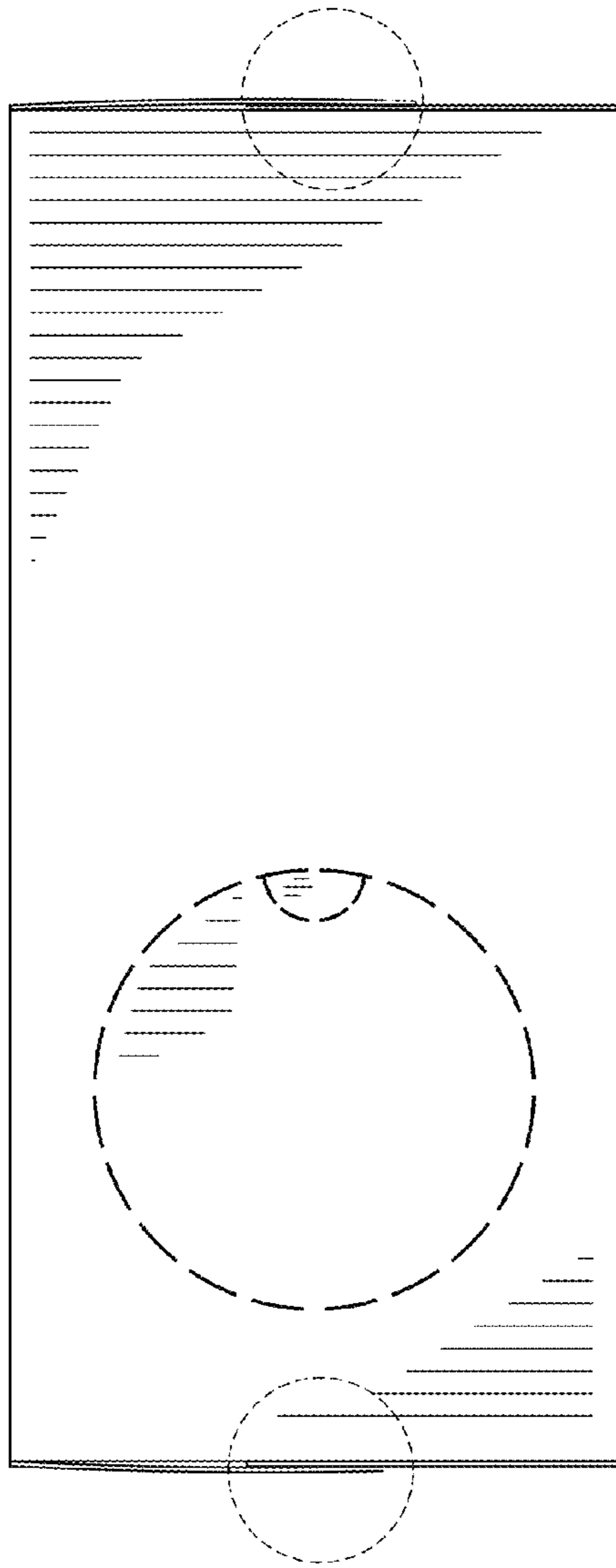


Fig. 9

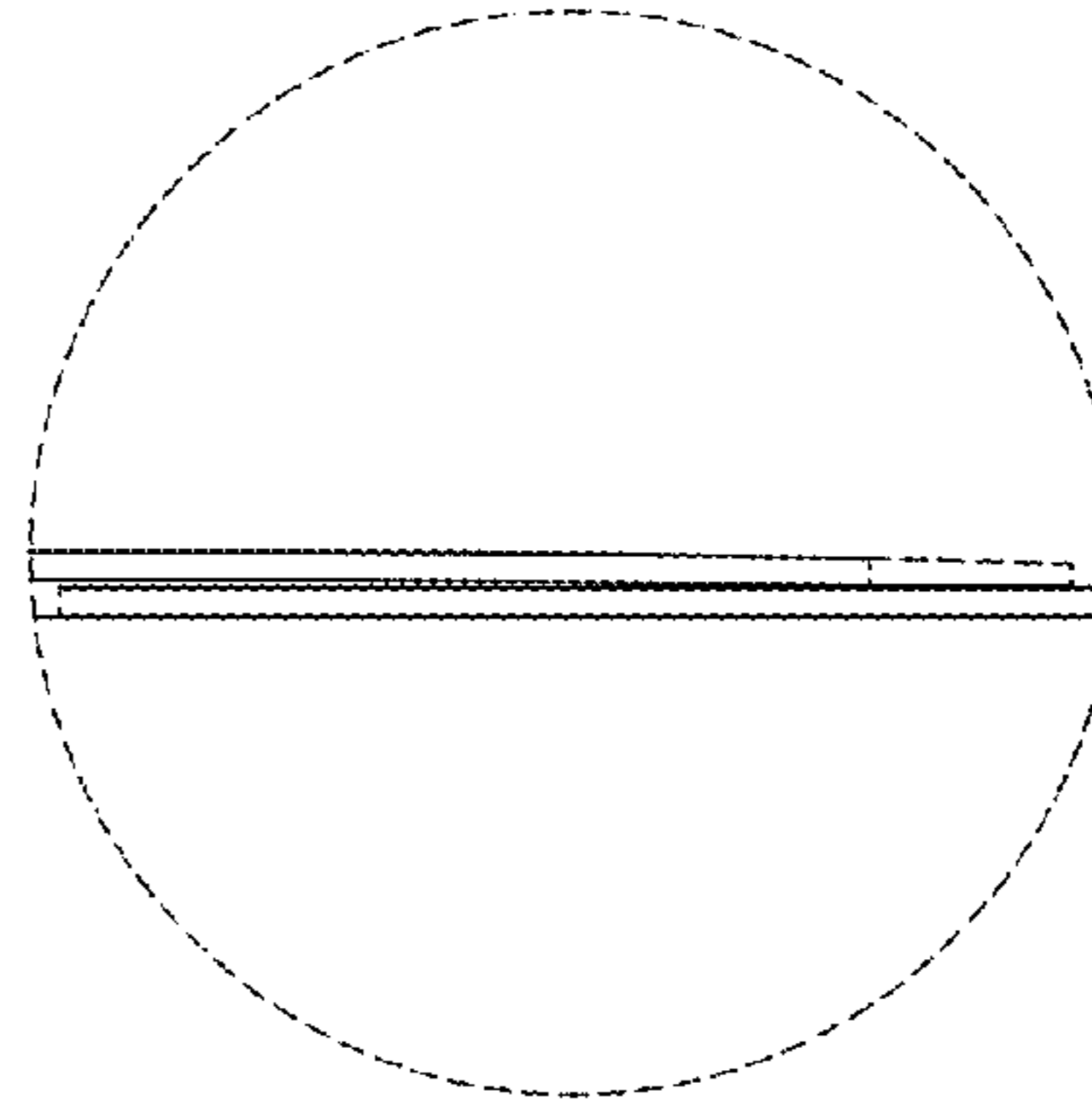


Fig. 10

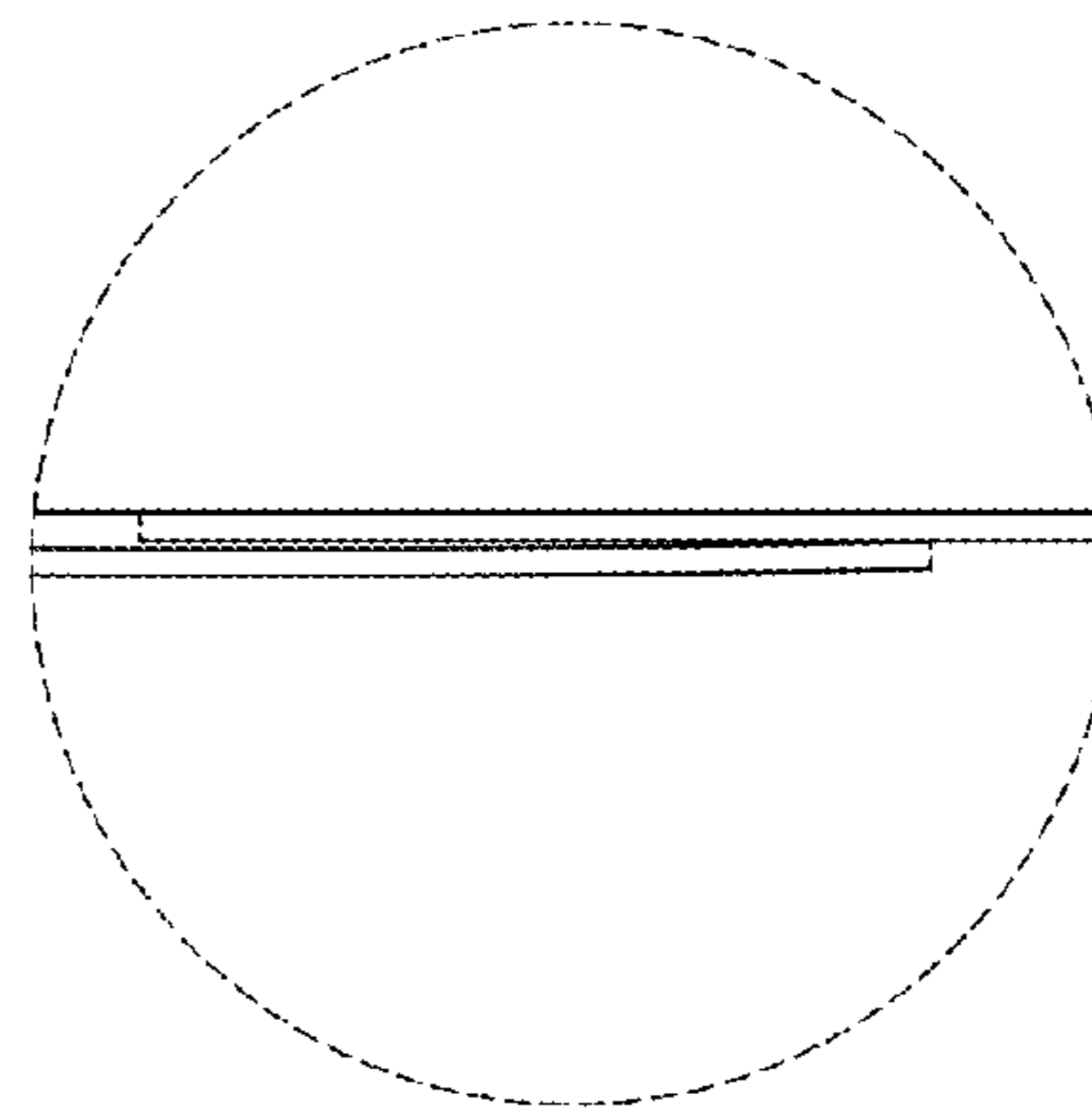


Fig. 11