



US00D758180S

(12) **United States Design Patent**
Wintmolders et al.

(10) **Patent No.:** **US D758,180 S**
(45) **Date of Patent:** **** Jun. 7, 2016**

(54) **CONTAINER**

(71) Applicant: **The Procter & Gamble Company,**
Cincinnati, OH (US)

(72) Inventors: **Wim Wintmolders,** West Chester, OH
(US); **Rainer Bernhard Teufel,**
Worthington, OH (US); **Igor Ivanovich**
Zemskov, Dublin, OH (US); **David**
William Schuller, Lebanon, OH (US)

(73) Assignee: **The Procter & Gamble Company,**
Cincinnati, OH (US)

(**) Term: **15 Years**

(21) Appl. No.: **29/542,262**

(22) Filed: **Oct. 13, 2015**

Related U.S. Application Data

(62) Division of application No. 29/445,898, filed on Feb.
19, 2013, now Pat. No. Des. 743,249.

(51) **LOC (10) Cl.** **09-03**

(52) **U.S. Cl.**
USPC **D9/415**

(58) **Field of Classification Search**

USPC 229/117.23, 126, 406, 925-927, 101,
229/101.3, 106, 108-112; 206/461, 524.4,
206/735, 269, 270, 737, 740, 822, 299,
206/273; D3/230-232, 303, 302, 201, 272,
D3/273; D9/414, 415, 416, 418, 424, 425,
D9/427, 429, 430, 431, 432, 438, 441, 457,
D9/499; D7/592, 596, 597, 600, 600.1,
D7/601, 602, 200
CPC .. B65D 5/0254; B65D 73/00; B65D 51/1677;
B65D 1/00; B65D 1/0223; B65D 1/18;
B65D 11/10; B65D 11/165; A47F 5/0884;
B32B 1/02
See application file for complete search history.

(56) **References Cited**

U.S. PATENT DOCUMENTS

D248,147	S	*	6/1978	Rauch	D9/456
D252,797	S	*	9/1979	Fuller	D9/415
4,834,247	A		5/1989	Oshima et al.		
5,188,222	A		2/1993	Pierce		
D334,536	S		4/1993	Long		
5,775,516	A	*	7/1998	McCumber	B65D 75/366 206/467
D398,226	S	*	9/1998	Lai	D9/415
D400,099	S	*	10/1998	Brauner	D9/425
D420,905	S	*	2/2000	Adkins	D9/415
6,149,006	A		11/2000	Brauner et al.		
D450,240	S		11/2001	Hagg et al.		

(Continued)

OTHER PUBLICATIONS

U.S. Appl. No. 29/445,898, filed Feb. 19, 2013, Wim Wintmolders, et al.

Primary Examiner — Philip S Hyder

Assistant Examiner — Keith Frank

(74) *Attorney, Agent, or Firm* — Larry L. Huston; Steven W. Miller

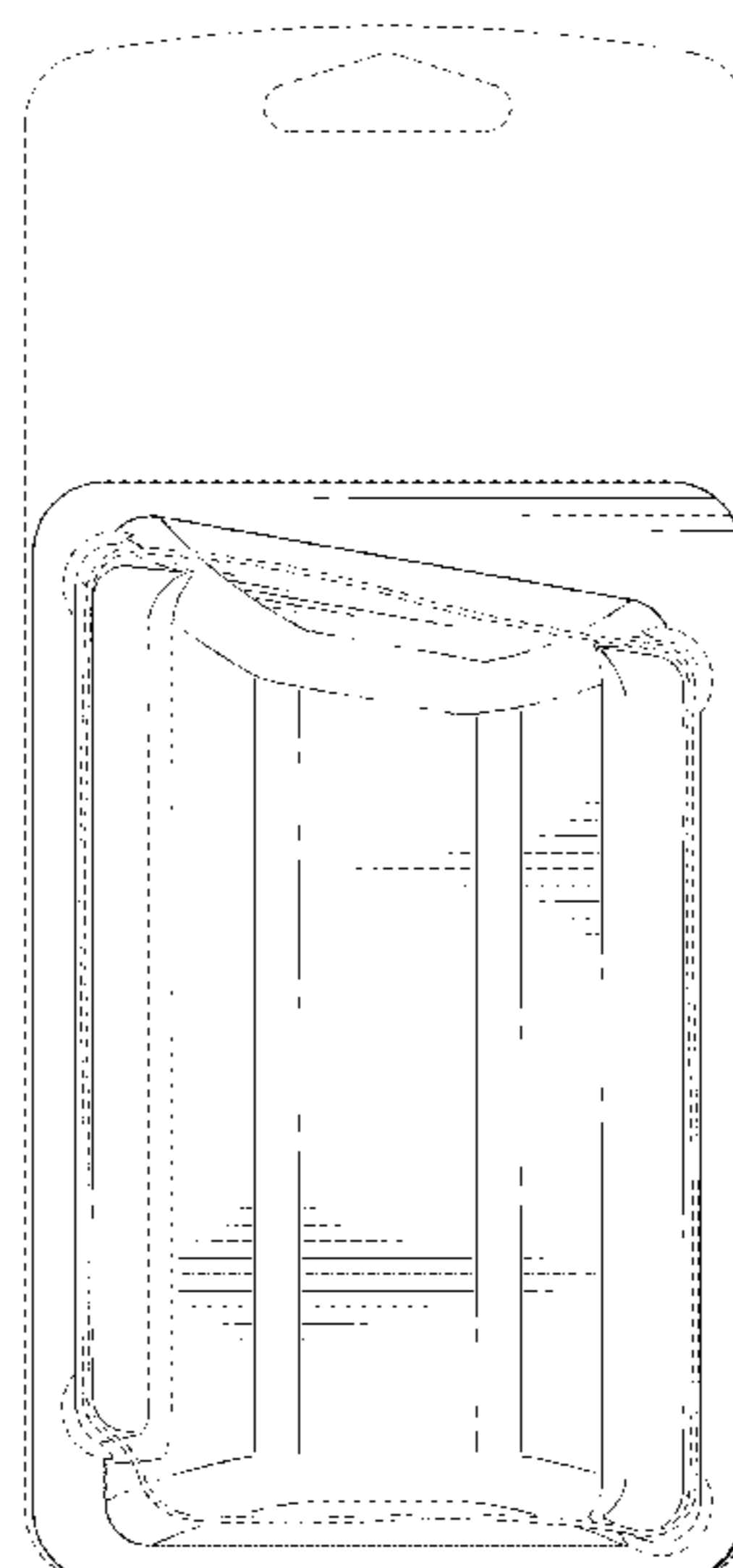
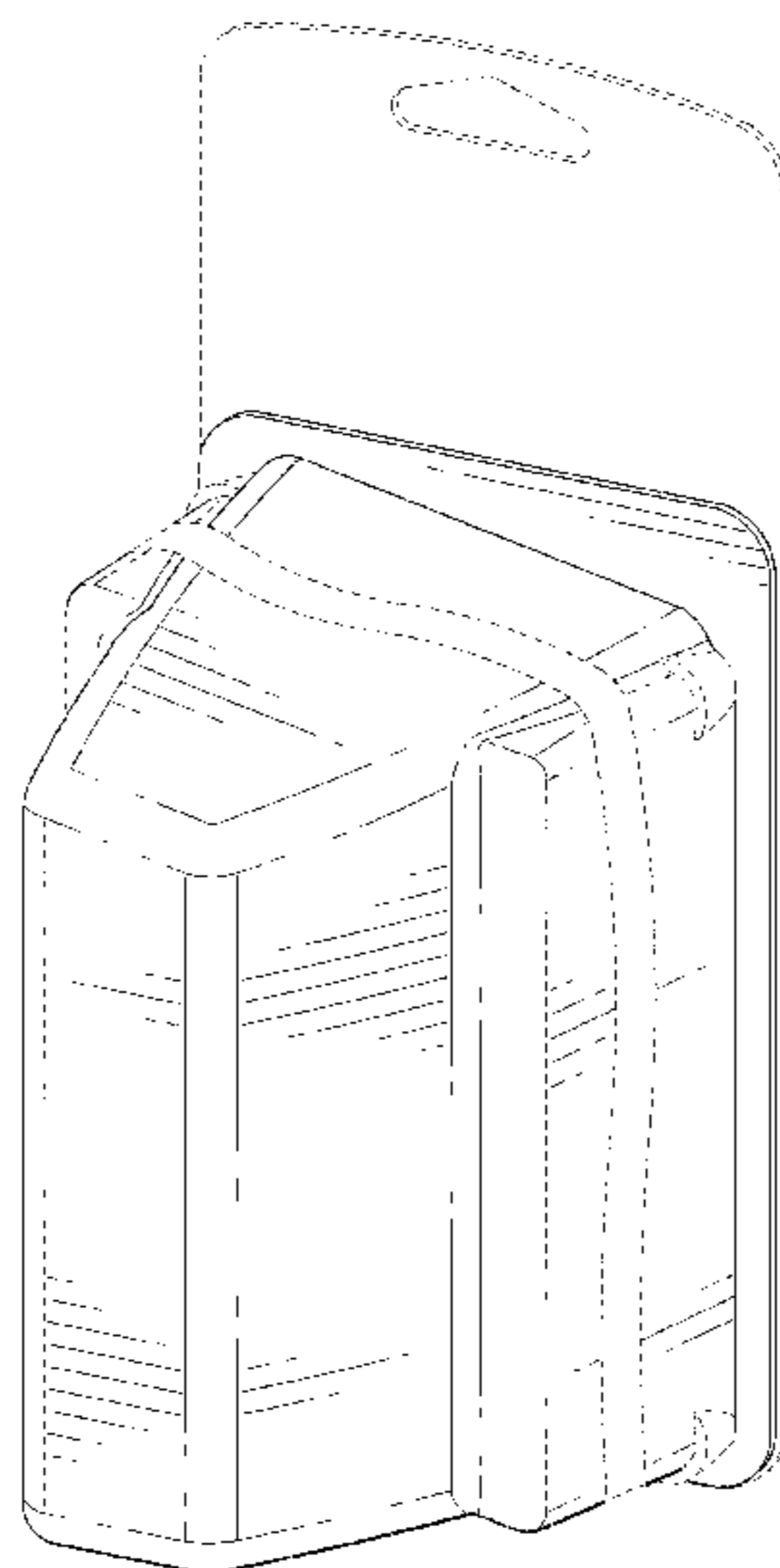
(57) **CLAIM**

The ornamental design for a container, as shown and described.

DESCRIPTION

FIG. 1 is a perspective view of a container showing our new design;
FIG. 2 is a front elevation view thereof;
FIG. 3 is a rear elevation view thereof;
FIG. 4 is a right side elevation view thereof;
FIG. 5 is a left side elevation view thereof;
FIG. 6 is a top plan thereof; and,
FIG. 7 is a bottom plan view thereof.
The broken lines depict portions of the container in which the design is embodied that form no part of the claimed design.

1 Claim, 6 Drawing Sheets



(56)

References Cited

U.S. PATENT DOCUMENTS

D461,124 S *	8/2002	Ma	D9/432	D662,811 S *	7/2012	Marcinkowski	D9/415
D503,334 S	3/2005	Keating		D682,676 S	5/2013	Wintolders et al.	
D543,843 S	6/2007	Gehring et al.		D689,767 S	9/2013	Clark et al.	
D569,721 S	5/2008	Gedanke		D692,297 S	10/2013	Wintolders et al.	
D599,656 S	9/2009	Bierschenk et al.		D704,048 S	5/2014	Whalen et al.	
D606,392 S *	12/2009	Prevost	D9/415	D714,660 S	10/2014	Tilahun et al.	
D627,217 S	11/2010	Marcinkowski et al.		D719,019 S *	12/2014	Avis	D9/424
D642,904 S	8/2011	Turvey		D723,365 S	3/2015	Mitchell et al.	
8,056,725 B2 *	11/2011	Doster	B65D 5/503 206/232	D724,946 S	3/2015	Atkinson	
				D733,552 S *	7/2015	Whalen, Jr.	D9/415
				2009/0301923 A1 *	12/2009	Van Puijenbroek	B65D 1/22 206/518
				2012/0187018 A1	7/2012	Maglio et al.	

* cited by examiner

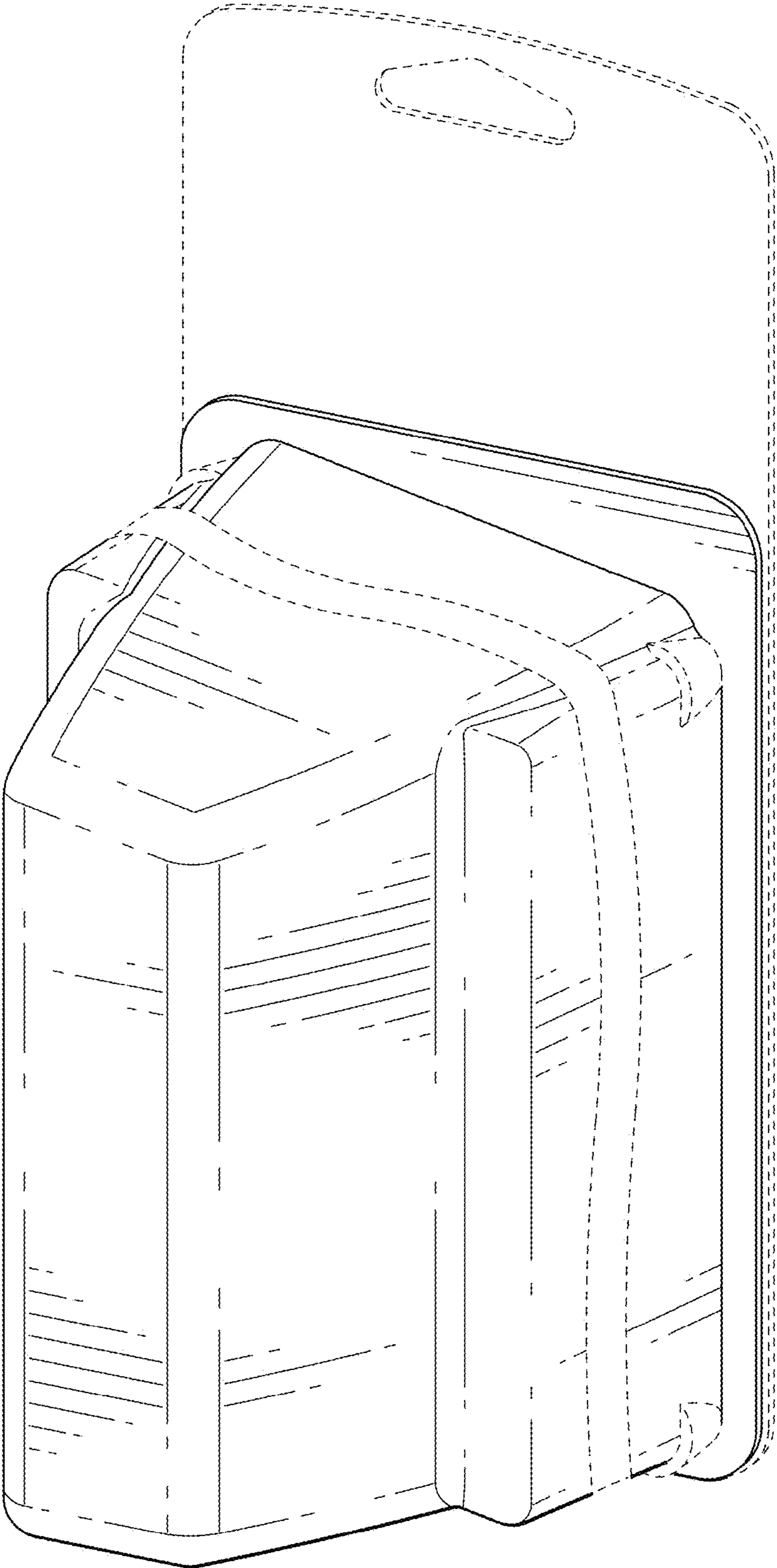


FIG. 1

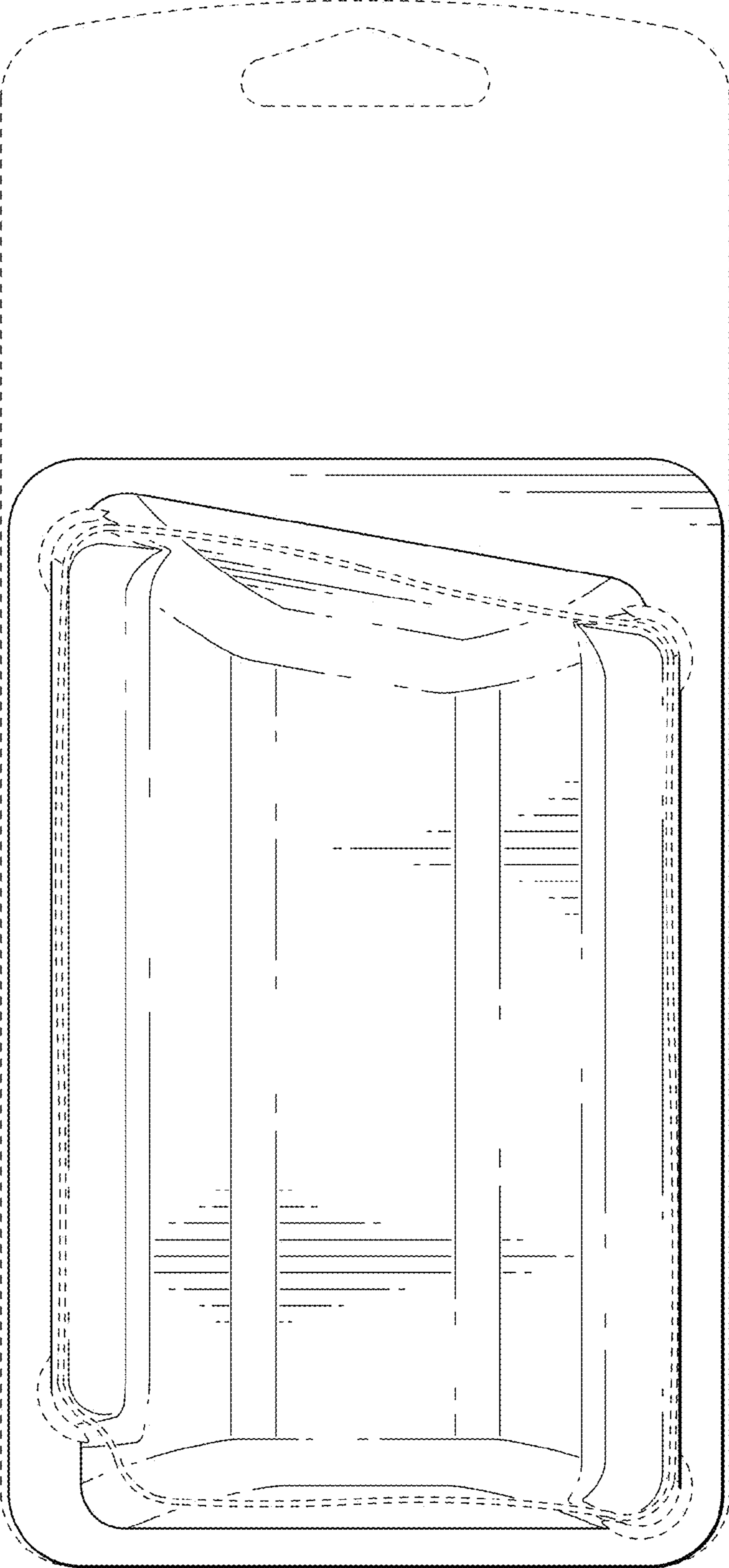


FIG. 2

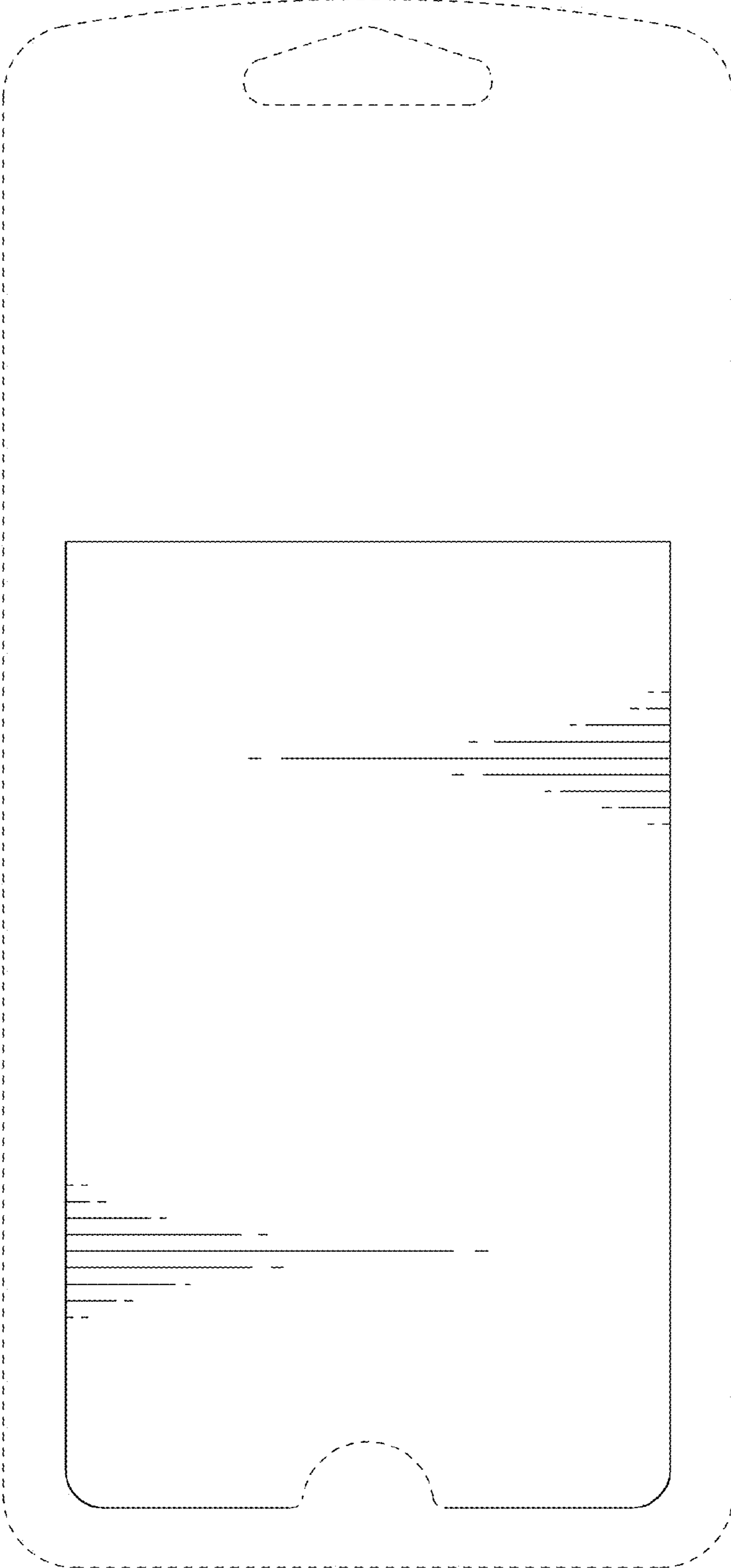


FIG. 3

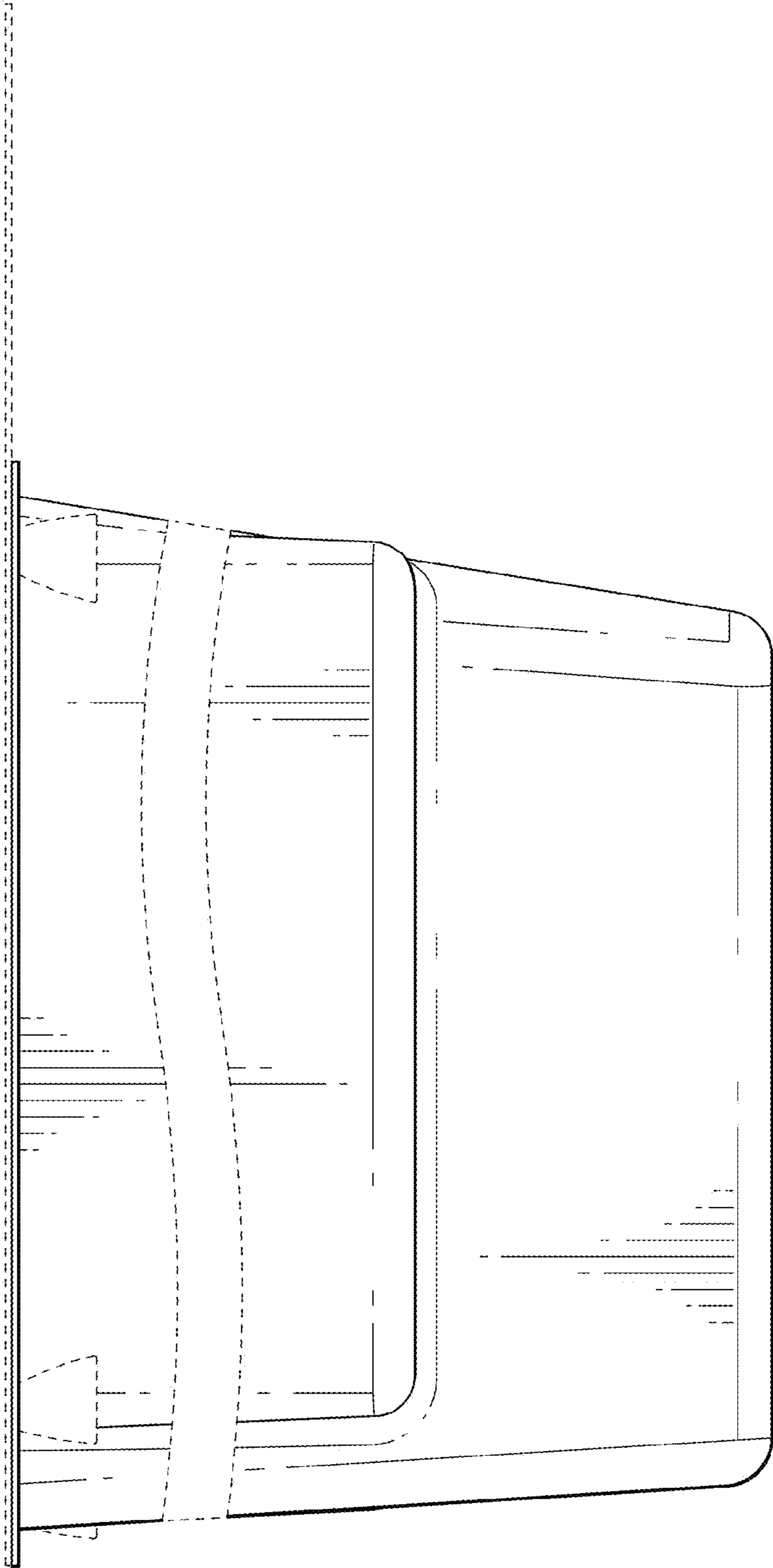


FIG. 4

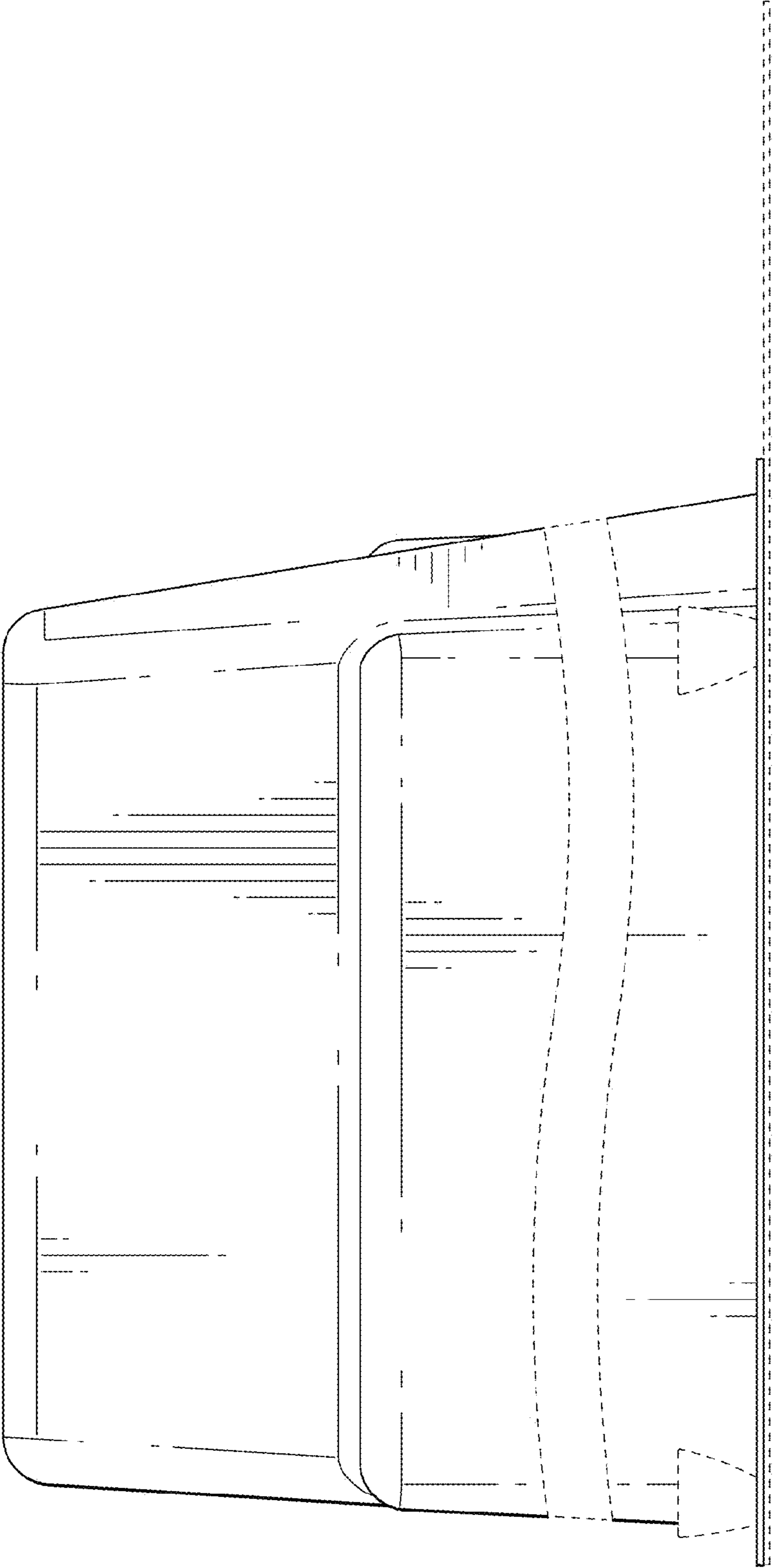


FIG. 5

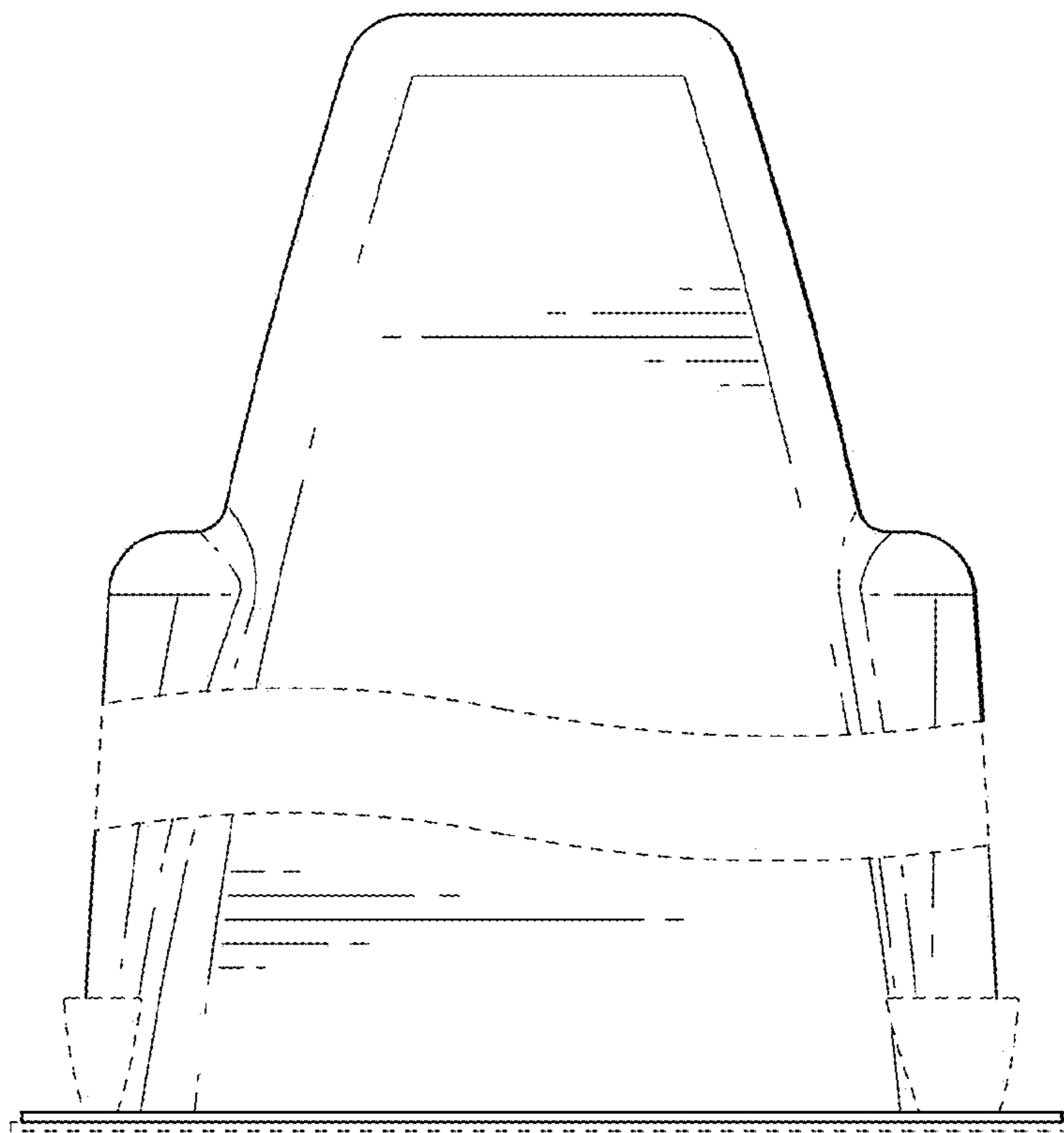
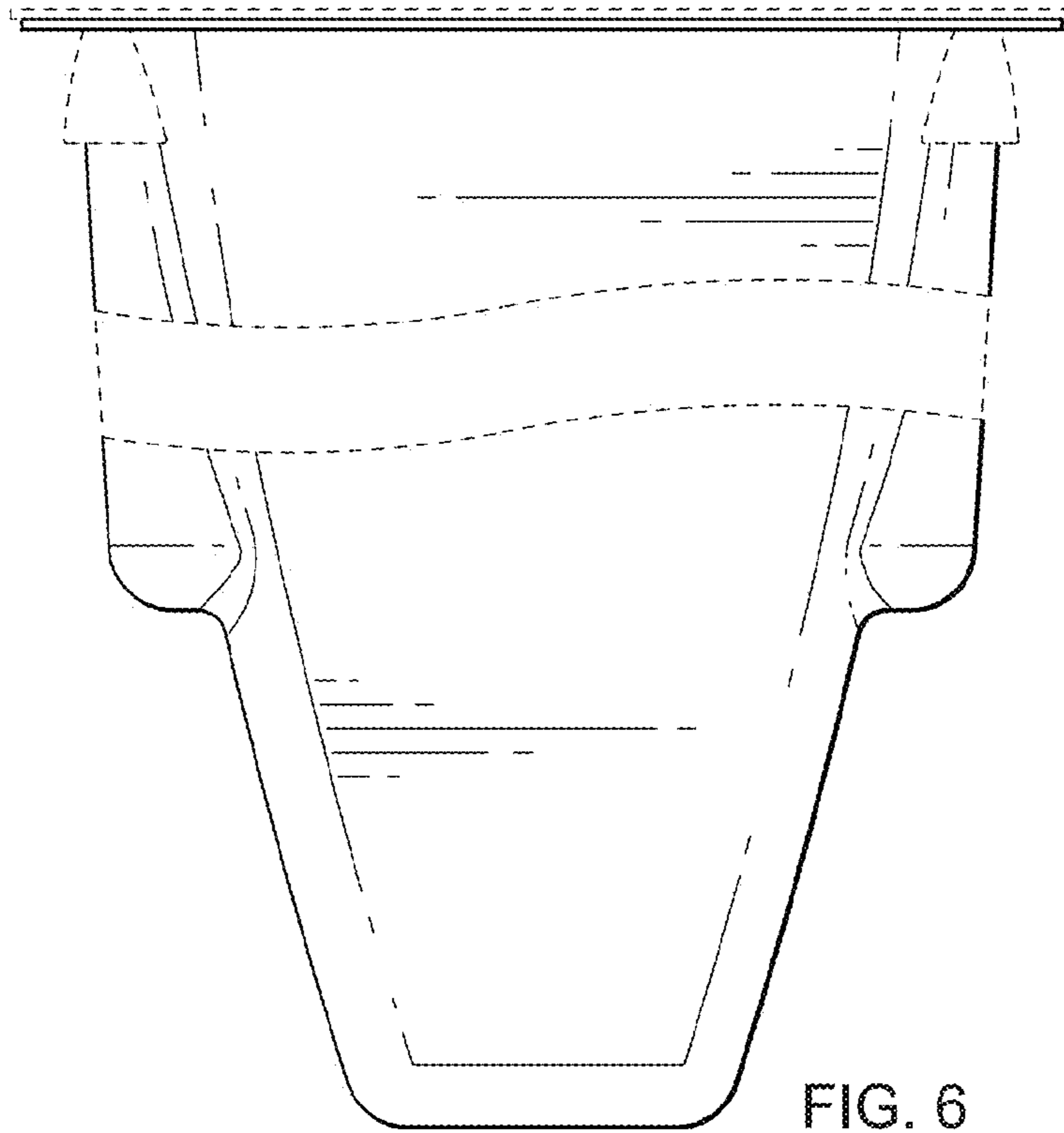


FIG. 6

FIG. 7