



US00D758177S

(12) **United States Design Patent**
Riccione

(10) **Patent No.:** **US D758,177 S**
(45) **Date of Patent:** **** Jun. 7, 2016**

(54) **ANGULAR CORRECTION CLAMP RING**

(71) Applicant: **DNE, LLC**, Slatington, PA (US)

(72) Inventor: **Nicholas Riccione**, Slatington, PA (US)

(73) Assignee: **DNE, LLC**, Slatington, PA (US)

(**) Term: **14 Years**

(21) Appl. No.: **29/501,310**

(22) Filed: **Sep. 3, 2014**

(51) **LOC (10) Cl.** **08-08**

(52) **U.S. Cl.**
USPC **D8/396**

(58) **Field of Classification Search**
USPC D8/394-396, 71-74, 499, 354-355
CPC D06F 55/00; A44D 2203/00; A61B
17/0664; A61B 17/04; A61B 17/1265; A43D
79/00; A41B 3/08; A41F 15/02
See application file for complete search history.

(56) **References Cited**

U.S. PATENT DOCUMENTS

D32,509 S *	4/1900	Gilson	D6/708.23
D82,369 S *	10/1930	Cafiero	D13/149
D239,364 S *	3/1976	Mooney et al.	D8/396
D296,777 S *	7/1988	Cornell	D13/149
D296,984 S *	8/1988	Mashburn	D8/396
D298,510 S *	11/1988	Marsh	D6/300
D507,481 S *	7/2005	Blake	D8/356
D509,726 S *	9/2005	Diller	D8/395
D536,607 S *	2/2007	Bekkevold	D8/396
D537,334 S *	2/2007	Lee	D8/396
D562,677 S *	2/2008	Farber	D8/380
D564,871 S *	3/2008	Pitcher	D8/395

D574,702 S *	8/2008	Stephens	D8/395
D575,088 S *	8/2008	Saulnier	D6/547
D576,870 S *	9/2008	Eason	D17/22
D577,423 S *	9/2008	Dole	D23/265
D580,262 S *	11/2008	Eason	D17/22
D584,604 S *	1/2009	Baldwin	D8/396
D700,835 S *	3/2014	Langlois	D8/396
D708,053 S *	7/2014	Marini	D24/127
D711,731 S *	8/2014	Sugiura	D17/22

FOREIGN PATENT DOCUMENTS

FR 133244-0002 * 8/1984

OTHER PUBLICATIONS

Specialty Arborist Pulleys: Self-Jamming Pulleys, Swivel Pulleys, and More, website copyright 2010, online, <http://www.wesspur.com/pulleys/self-jamming-pulleys.html>, [site visited Sep. 28, 2015 2:15:36 AM].*

(Continued)

Primary Examiner — John Windmuller

Assistant Examiner — John R Yeh

(74) *Attorney, Agent, or Firm* — Dorsey & Whitney LLP

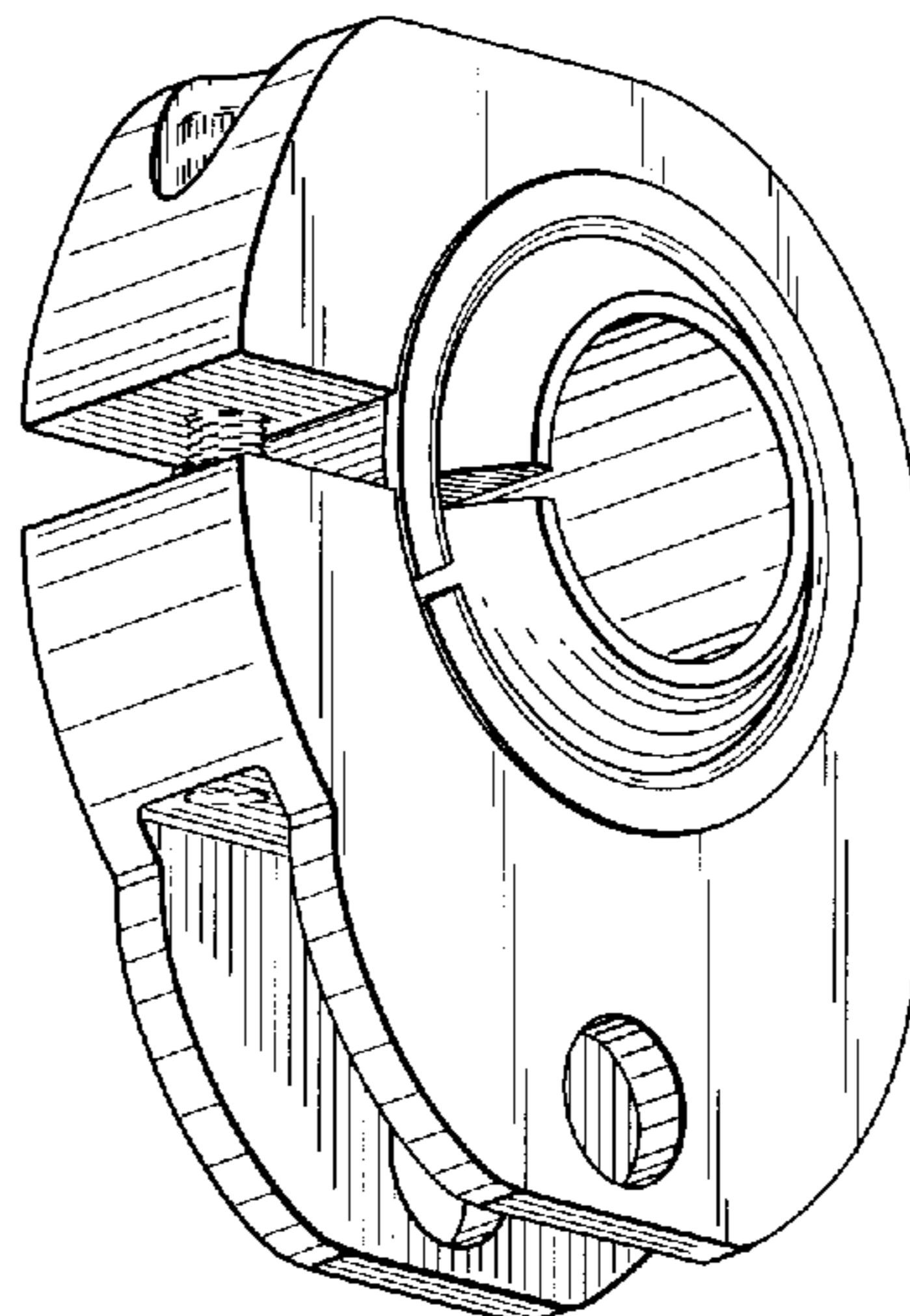
(57) **CLAIM**

The ornamental design for an angular correction clamp ring, as shown and described in the following Figures.

DESCRIPTION

FIG. 1 is a perspective view of a ring of the present invention; FIG. 2 is a left side view of the ring of the present invention; FIG. 3 is a right side view of the ring of the present invention; FIG. 4 is a front view of the ring of the present invention; FIG. 5 is a top view of the ring of the present invention; and, FIG. 6 is a bottom view of the ring of the present invention.

1 Claim, 2 Drawing Sheets



(56)

References Cited

online, <http://www.company7.com/televue/telescopes/tvnp101>.

OTHER PUBLICATIONS

html, [site visited Sep. 28, 2015 2:12:05 AM].*

Company Seven | TeleVue NP101 Telescope (2011) Specification/
Description Page, mounting hardware, website copyright 2011,

* cited by examiner

Fig. 1

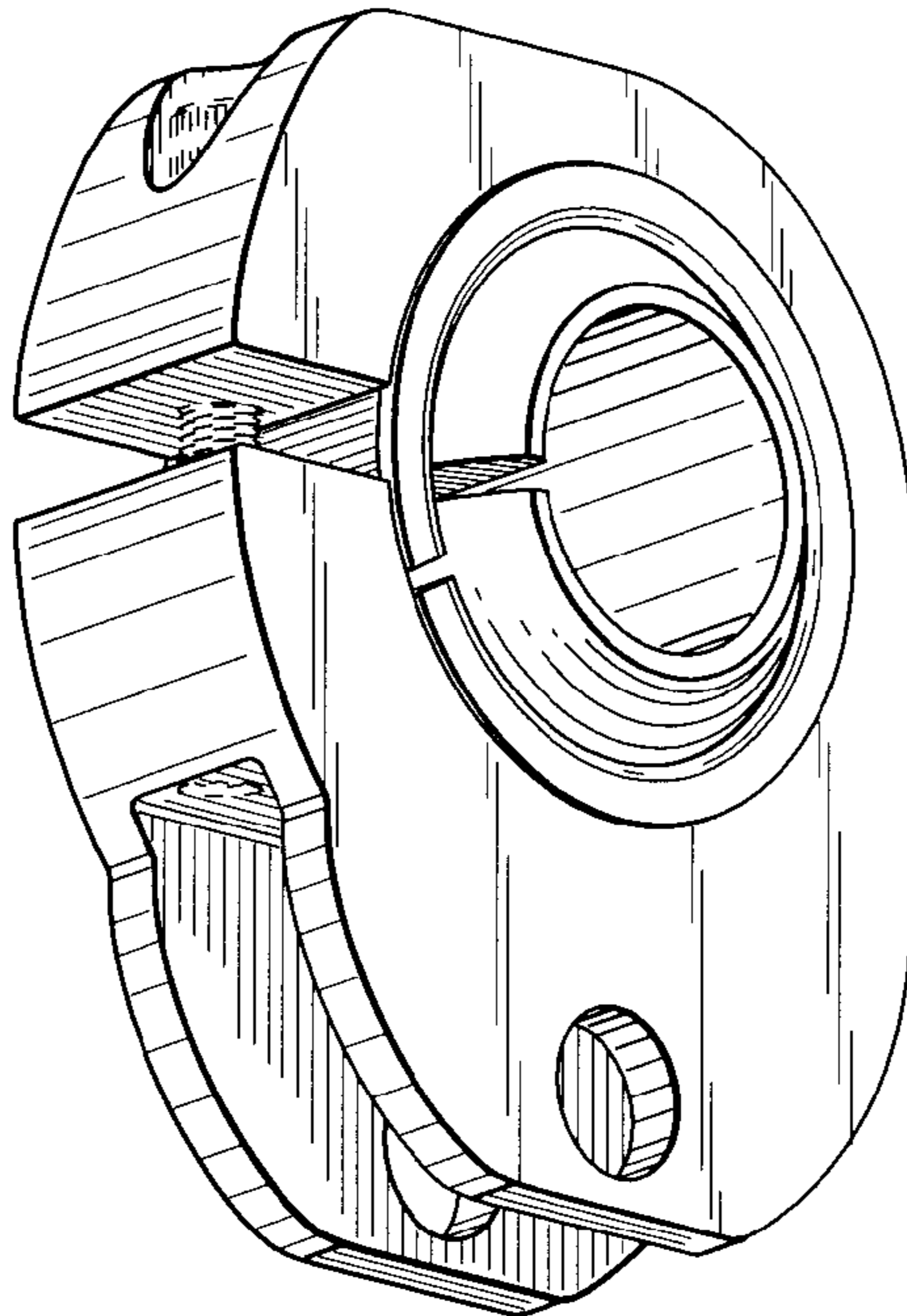


Fig. 2

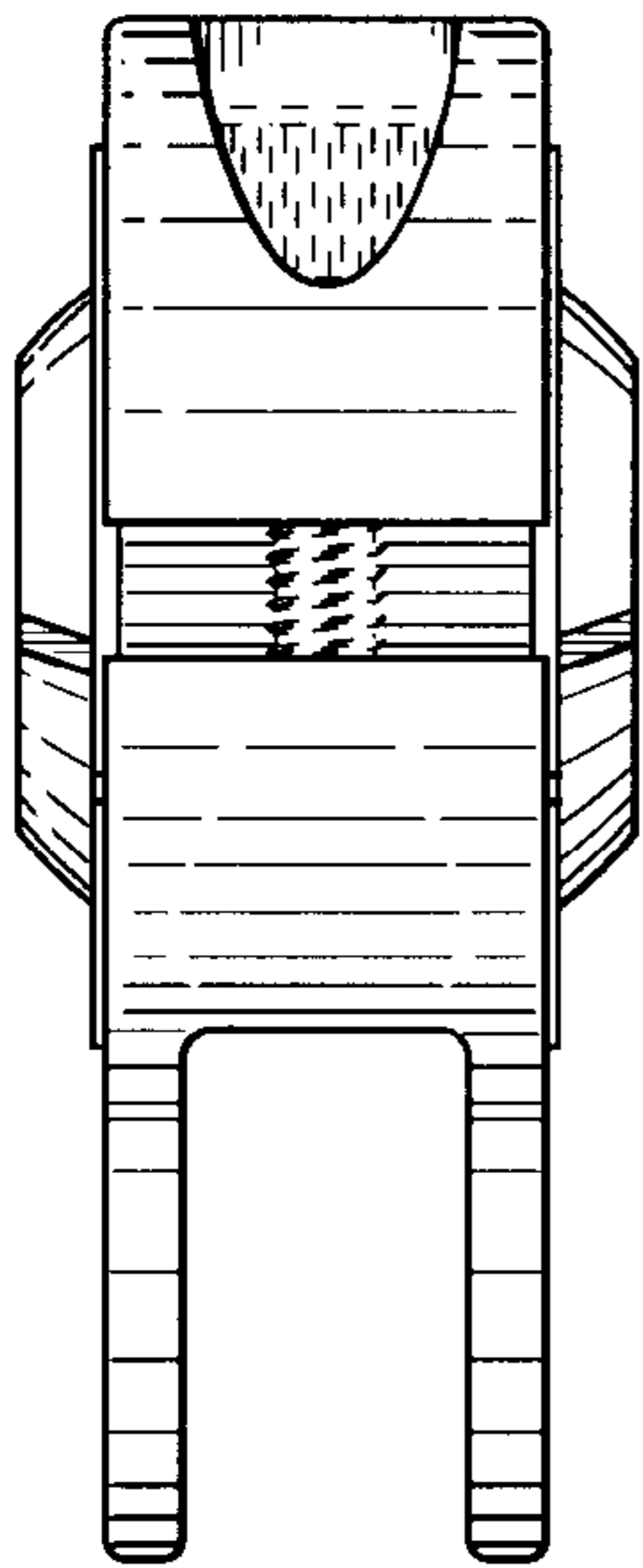


Fig. 3

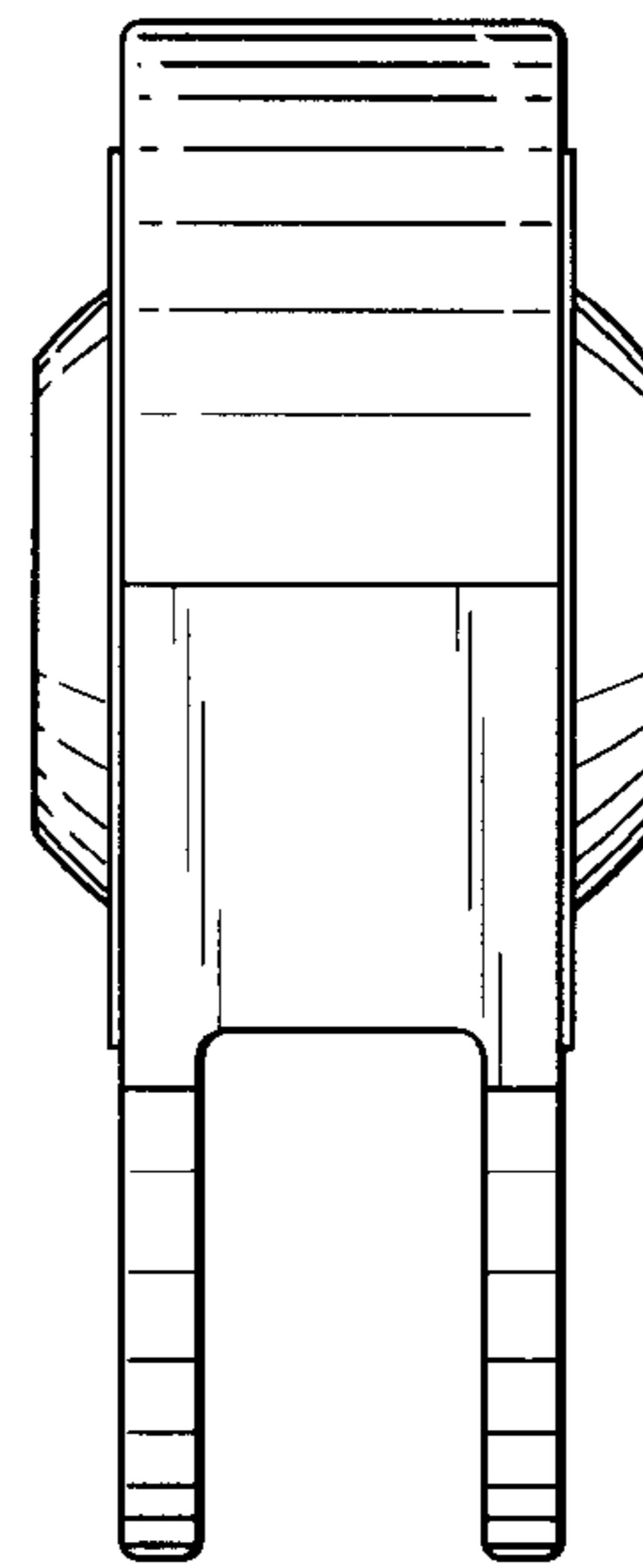


Fig. 5

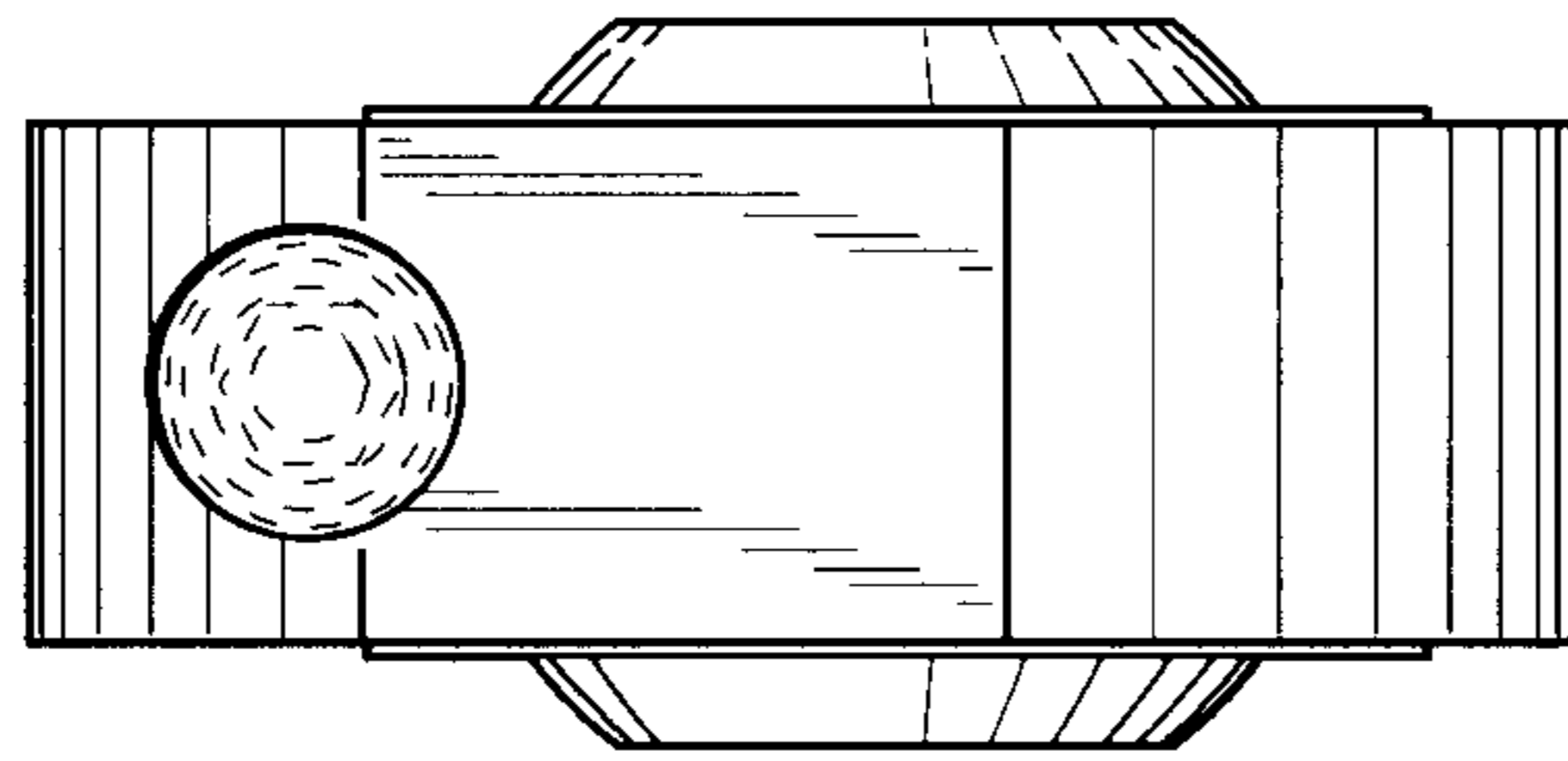


Fig. 4

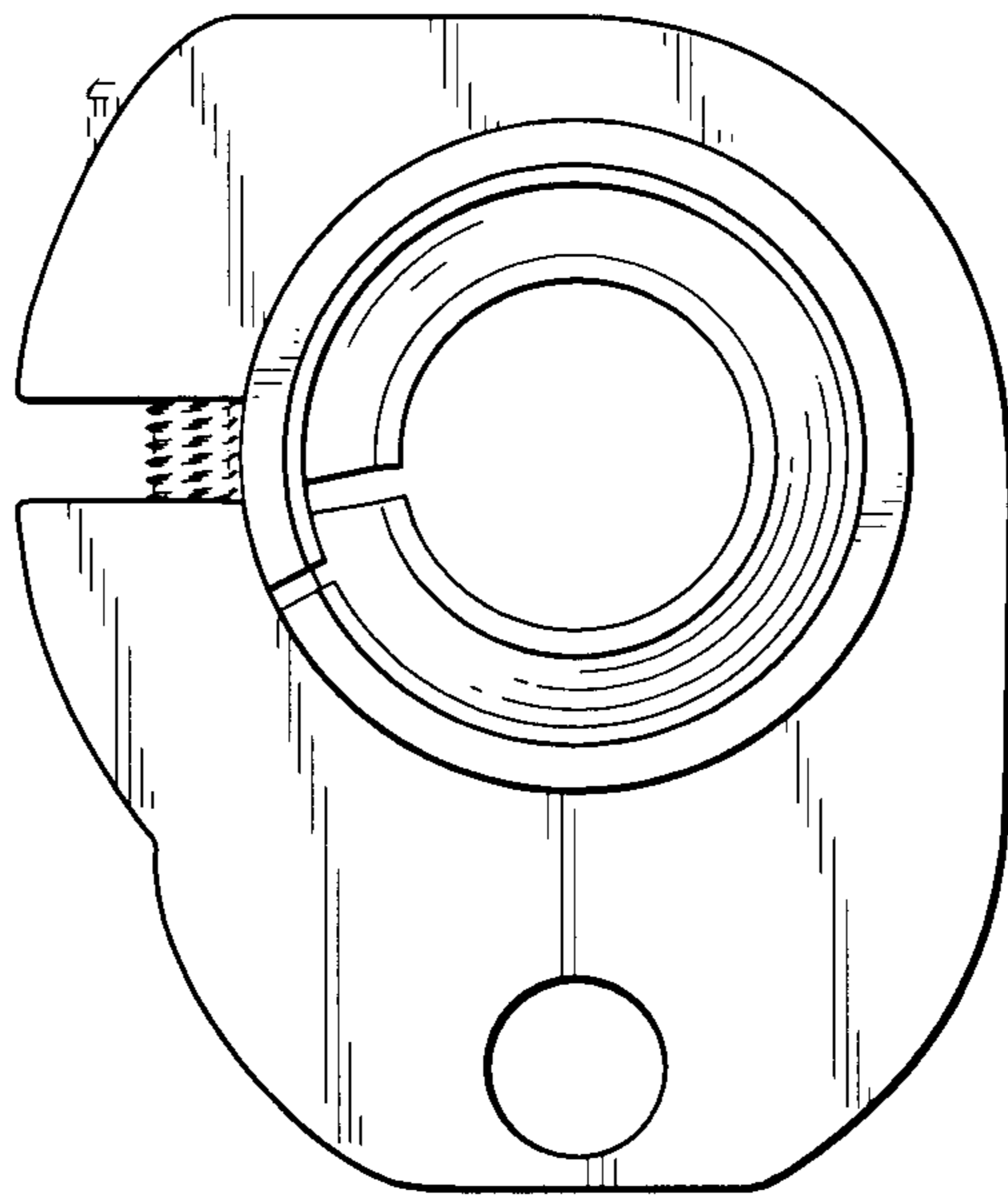


Fig. 6

