



US00D758176S

(12) **United States Design Patent**  
**Iwasaki et al.**

(10) **Patent No.:** **US D758,176 S**  
(45) **Date of Patent:** **\*\* Jun. 7, 2016**

- (54) **DRAWSTRING RETAINER**
- (71) Applicant: **CLOVER MFG. CO., LTD.**, Osaka-shi, Osaka (JP)
- (72) Inventors: **Chihiro Iwasaki**, Osaka (JP); **Atsuko Okuma**, Osaka (JP)
- (73) Assignee: **CLOVER MFG. CO., LTD.**, Osaka (JP)
- (\*\*) Term: **14 Years**

- (21) Appl. No.: **29/521,004**
- (22) Filed: **Mar. 19, 2015**

- (30) **Foreign Application Priority Data**
- Oct. 23, 2014 (JP) ..... 2014-023745
- (51) **LOC (10) Cl.** ..... **08-08**
- (52) **U.S. Cl.**
- USPC ..... **D8/394**
- (58) **Field of Classification Search**
- USPC ..... D8/394-396, 71-74, 499, 354-355
- CPC ..... A47H 1/10; B65B 13/18; B66C 1/00; B66F 1/00; B66F 19/00; F16G 11/00; F16G 3/00; H02G 1/00; H02G 1/04; H02G 1/06
- See application file for complete search history.

- (56) **References Cited**
- U.S. PATENT DOCUMENTS**
- 1,459,382 A \* 6/1923 Wagner ..... A41F 15/02 24/543

(Continued)

- FOREIGN PATENT DOCUMENTS**
- EP D060908-001 \* 9/2002
- GB 1033635 \* 1/1987

(Continued)

- OTHER PUBLICATIONS**
- Adjustable Clip Elastic Rope Drawstring Threader Guide Sewing Device Tool | eBay, online, website copyright 2015, <http://www.ebay.co.uk/itm/2x-10-Adjustable-Clip-Elastic-Rope-Drawstring-Threader-Guide-Sewing-Device-Tool-/361403392228>, [site visited Dec. 21, 2015 9:22:05 PM].\*

(Continued)

*Primary Examiner* — John Windmuller  
*Assistant Examiner* — John R Yeh  
 (74) *Attorney, Agent, or Firm* — Hamre, Schumann, Mueller & Larson, P.C.

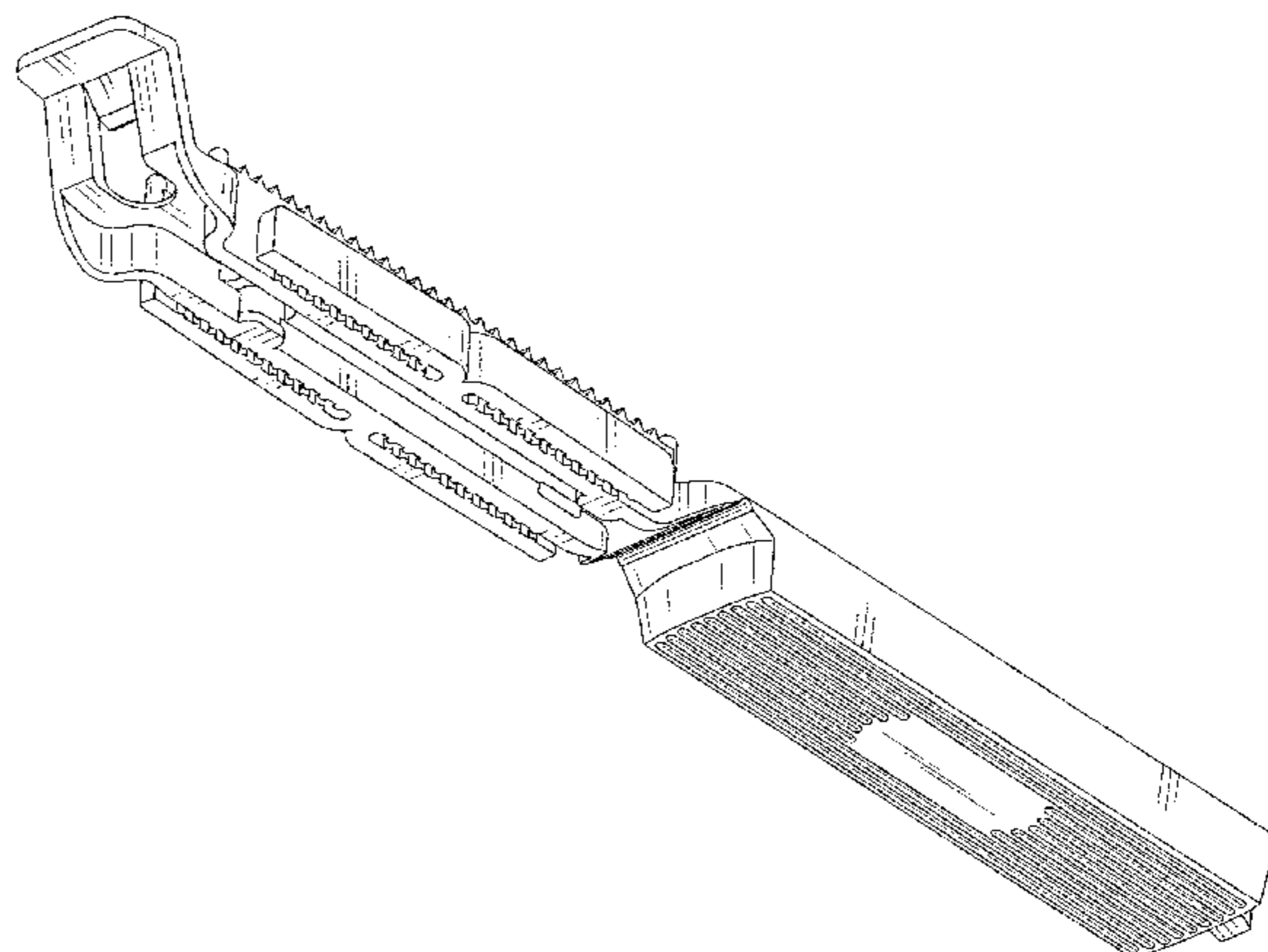
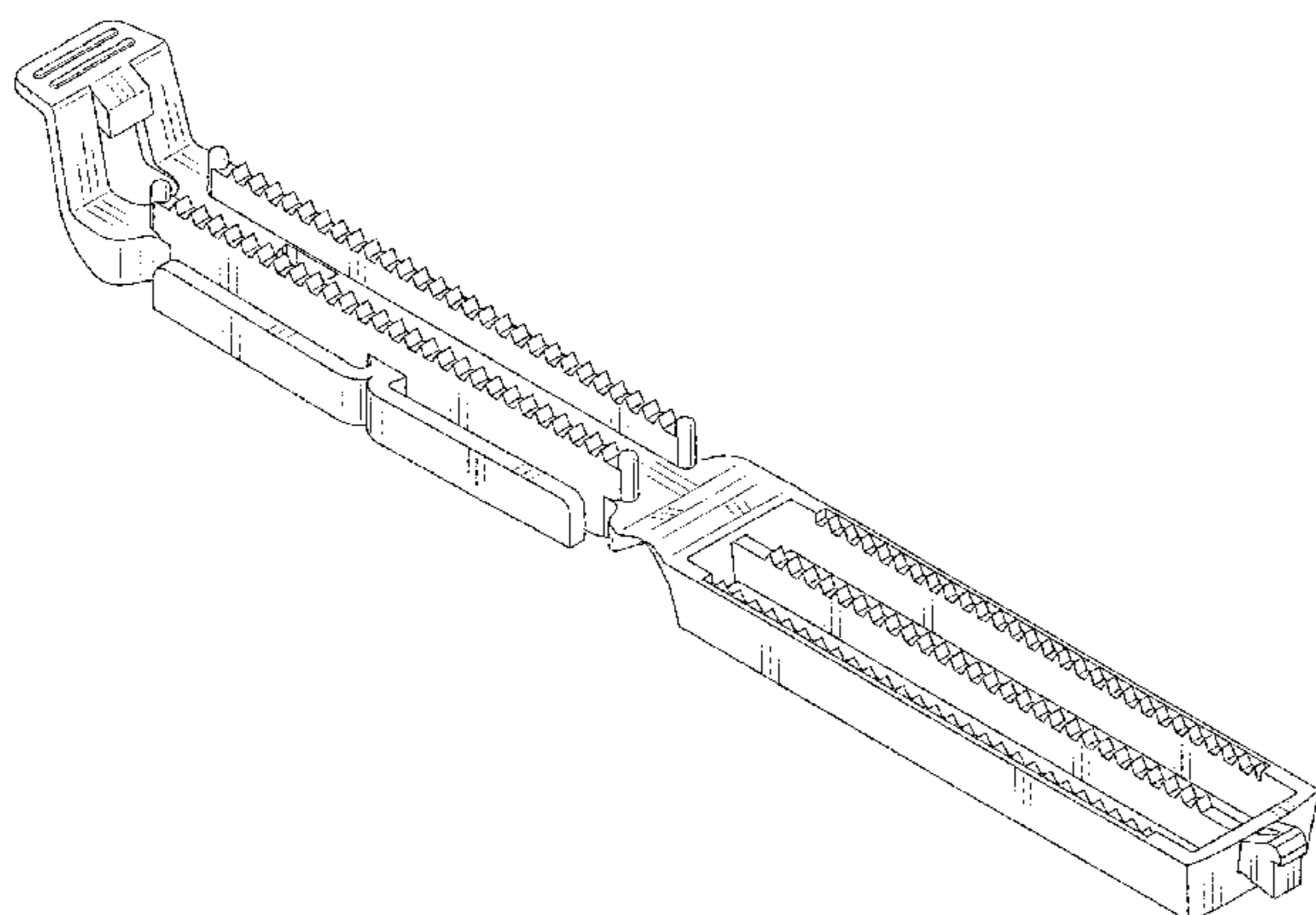
(57) **CLAIM**  
 We claim the ornamental design for a drawstring retainer, as shown and described.

**DESCRIPTION**

FIG. 1 is a perspective view of a drawstring retainer, in its open state, showing our new design as seen from the top side; FIG. 2 is a perspective view of the same as seen from the bottom side; FIG. 3 is a front view of the same which is symmetrical to a rear view; FIG. 4 is a left side view of the same; FIG. 5 is a right side view of the same; FIG. 6 is a plan view of the same; FIG. 7 is a bottom view of the same; FIG. 8 is a sectional view of the same taken along lines 8-8 in FIG. 6; FIG. 9 is a sectional view of the same taken along lines 9-9 in FIG. 6; FIG. 10 is a sectional view of the same taken along lines 10-10 in FIG. 6; FIG. 11 is a sectional view of the same taken along lines 11-11 in FIG. 6; FIG. 12 is a perspective view of the same in its closed state as seen from the top side; FIG. 13 is a perspective view of the closed drawstring retainer as seen from the bottom side; FIG. 14 is a front view of the closed drawstring retainer which is symmetrical to a rear view; FIG. 15 is a left side view of the closed drawstring retainer; FIG. 16 is a right side view of the closed drawstring retainer; FIG. 17 is a plan view of the closed drawstring retainer; and, FIG. 18 is a bottom view of the closed drawstring retainer.

A drawstring retainer is a tool that is used in combination with a drawstring threader for conveniently introducing a string, such as a rubber string, into a string-holding tunnel portion of a clothing. The drawstring retainer retains one end of the string while the drawstring threader retains the other end of the string in inserting the string into the string-holding tunnel of the clothing. The drawstring retainer includes two clamping tabs that are hinged to each other to pivot between a closed string retaining position and an open release position.

**1 Claim, 18 Drawing Sheets**



(56)

References Cited

U.S. PATENT DOCUMENTS

D190,787 S \* 6/1961 Schneider ..... 24/267  
 3,854,482 A \* 12/1974 Laugherty ..... A61B 17/122  
 24/543  
 D276,596 S \* 12/1984 Kisha ..... 24/30.5 P  
 D299,008 S \* 12/1988 Naslund ..... D8/395  
 4,923,153 A \* 5/1990 Matsui ..... H02G 3/26  
 24/178  
 D309,835 S \* 8/1990 Stone, Jr. .... D28/42  
 D312,403 S \* 11/1990 Furutsu ..... D8/394  
 D317,571 S \* 6/1991 Henriksson ..... D8/394  
 5,125,133 A \* 6/1992 Morrison ..... A61F 5/4407  
 24/30.5 P  
 D350,696 S \* 9/1994 Naslund ..... D9/434  
 D372,674 S \* 8/1996 Weber ..... D9/434  
 5,598,608 A \* 2/1997 Naslund ..... B65D 33/1675  
 24/30.5 P  
 D384,459 S \* 9/1997 Eisenman ..... D28/39  
 5,713,912 A \* 2/1998 Porter ..... A61B 17/128  
 606/151  
 D423,353 S \* 4/2000 Blanchard ..... D9/435  
 6,257,251 B1 \* 7/2001 Burleson ..... A45D 8/24  
 132/279  
 D472,457 S \* 4/2003 Fenton ..... D8/394

D482,968 S \* 12/2003 Henriksson ..... D9/435  
 7,506,415 B2 \* 3/2009 Brian ..... A41B 11/002  
 24/329  
 D649,637 S \* 11/2011 Penaloza ..... D24/135  
 8,256,071 B2 \* 9/2012 Okuda ..... A45F 5/02  
 24/517  
 D706,225 S \* 6/2014 deLoache, III ..... D13/155  
 2011/0308046 A1 \* 12/2011 Weiss ..... F16G 11/00  
 24/122.6

FOREIGN PATENT DOCUMENTS

GB 3005002 \* 7/2002  
 JP D1093608 \* 12/2000

OTHER PUBLICATIONS

Bodkin Basics & Drawstring Bag | NSM—The Sewing Loft, online, article date Sep. 20, 2013, <http://thesewingloftblog.com/bodkin-basics/>, [site visited Dec. 21, 2015 9:19:11 PM].\*  
 Floor mats won't stay in place—Club Cobra, Cobra Dan post Aug. 8, 2012, online, <http://www.clubcobra.com/forums/all-cobra-talk/116715-floor-mats-wont-stay-place.html>, site visited Dec. 19, 2015.\*

\* cited by examiner

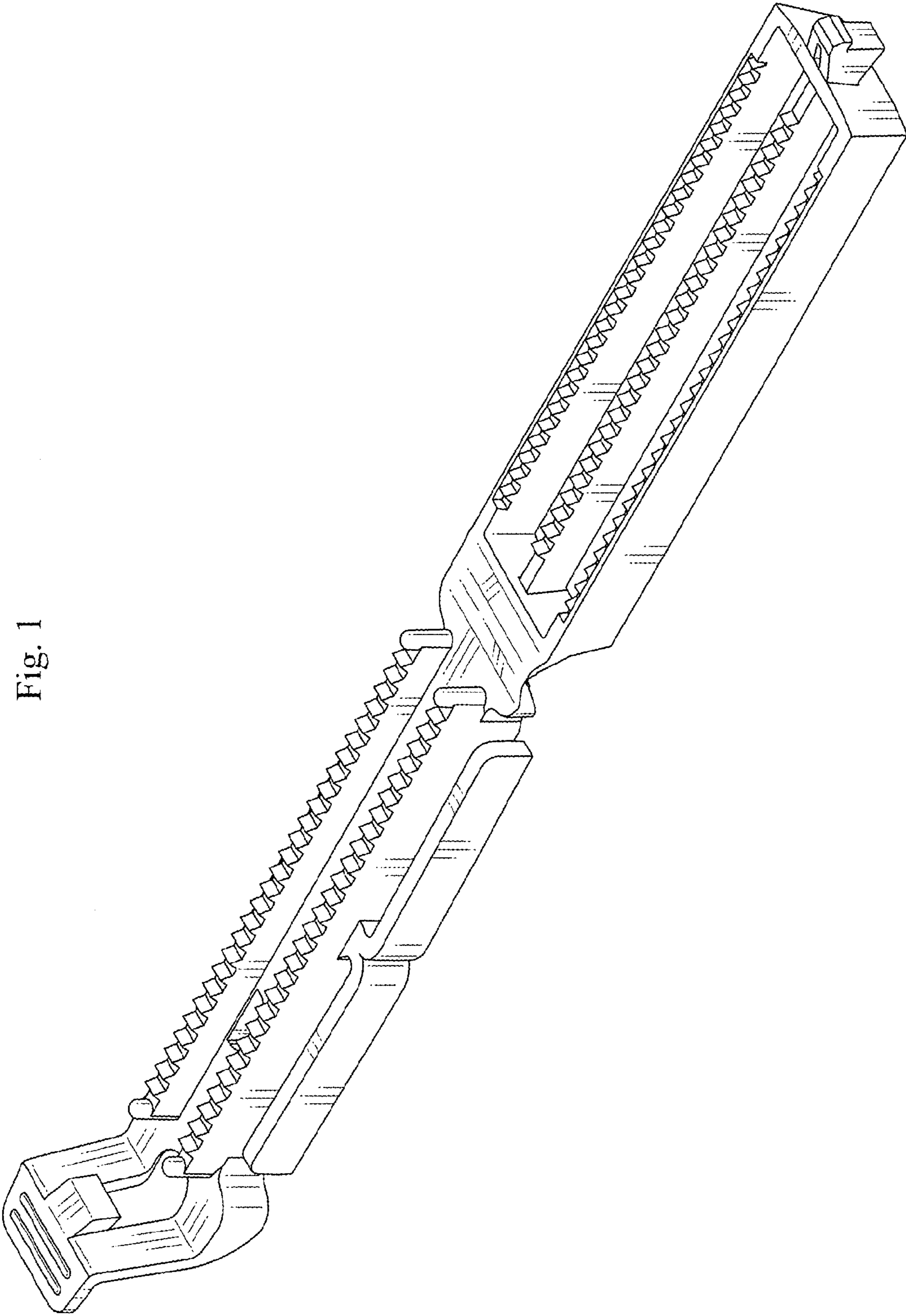


Fig. 1

Fig. 2

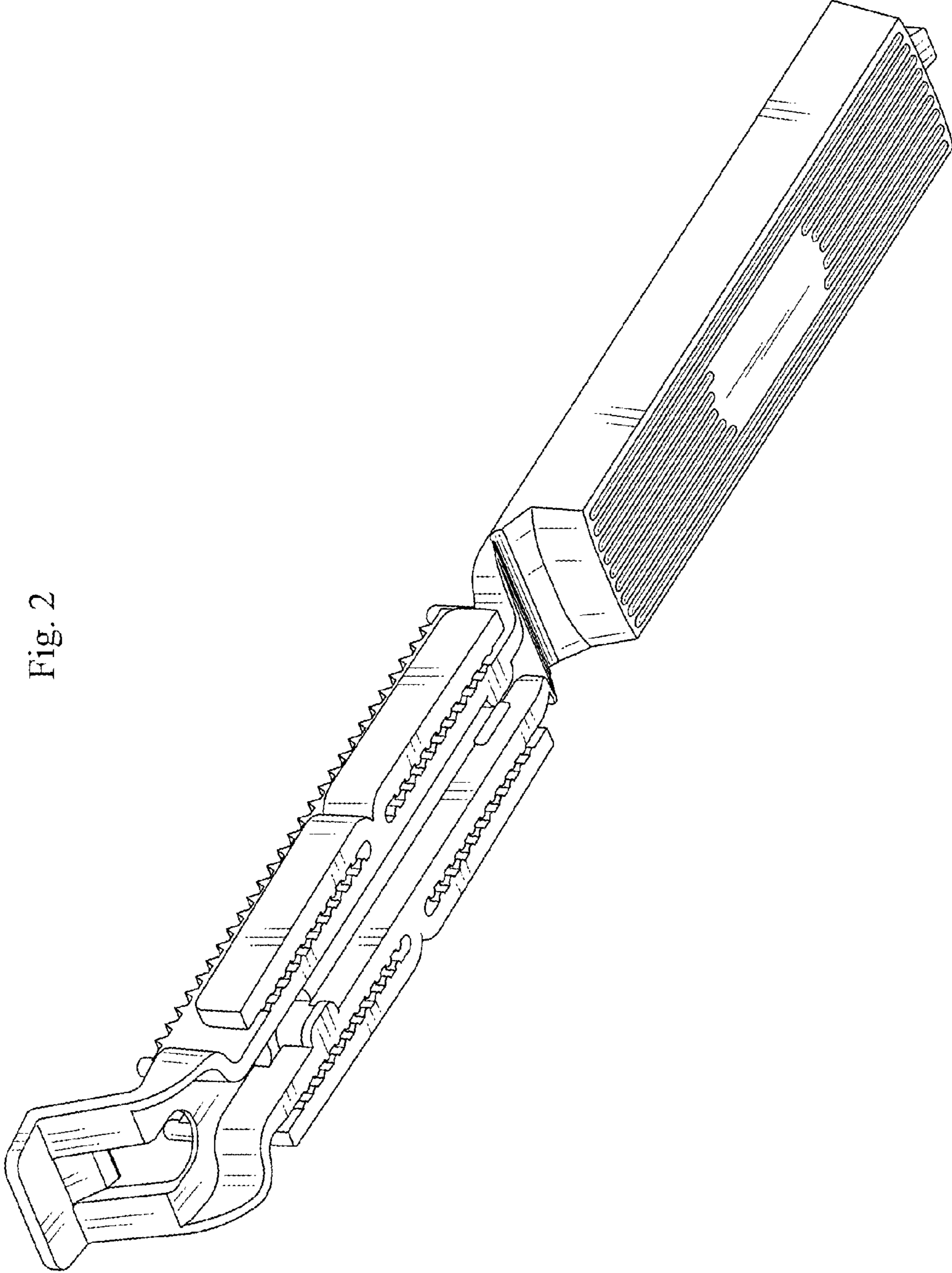


Fig. 3

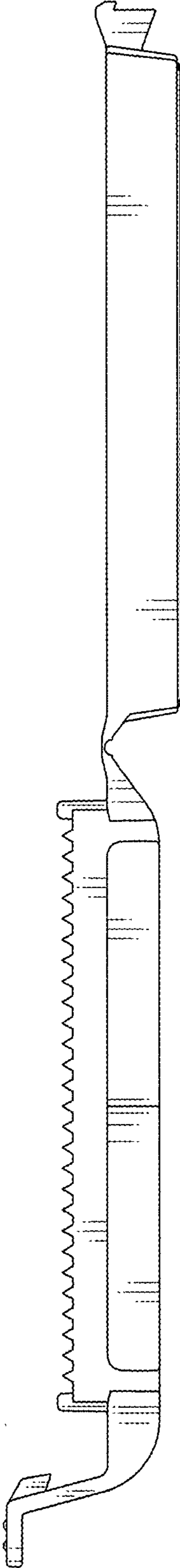


Fig. 4

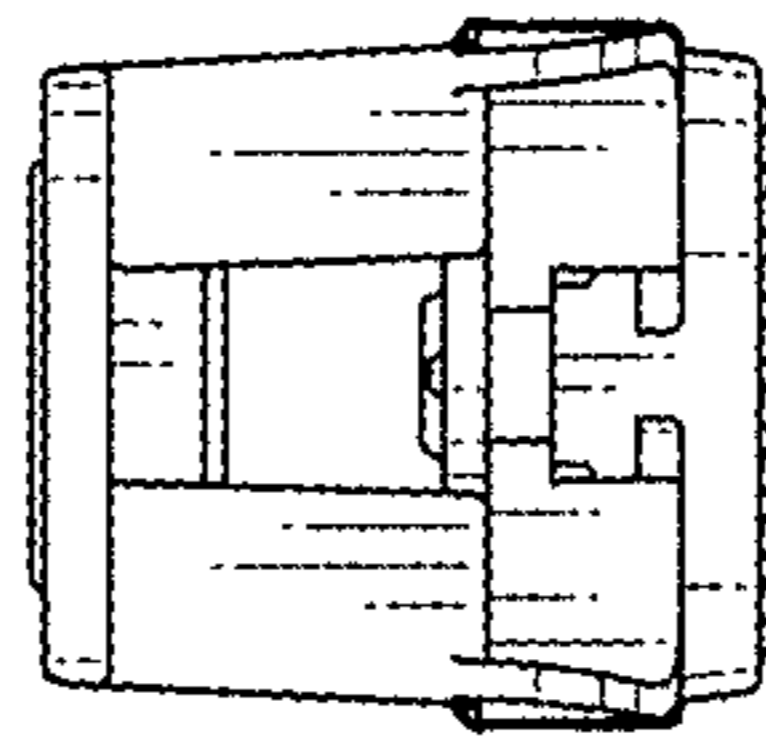


Fig. 5

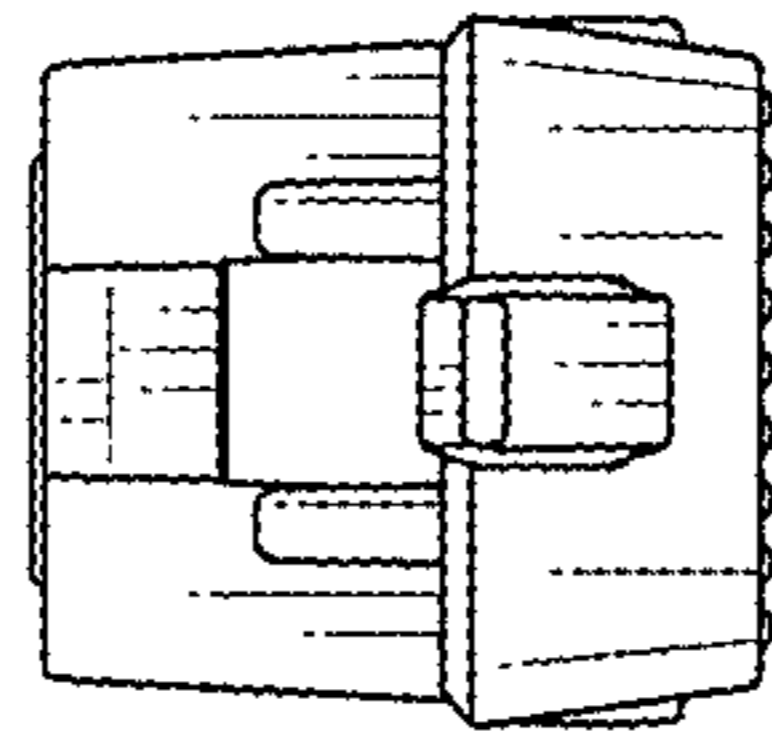


Fig. 6

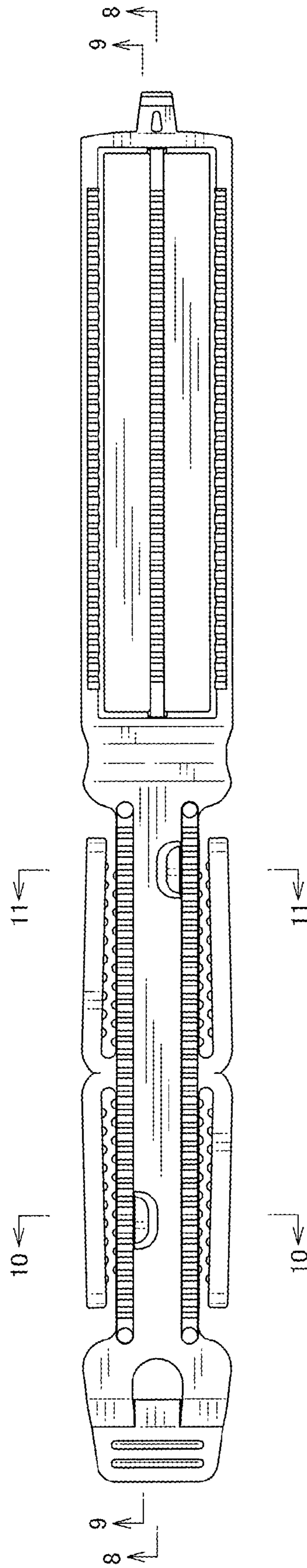




Fig. 7

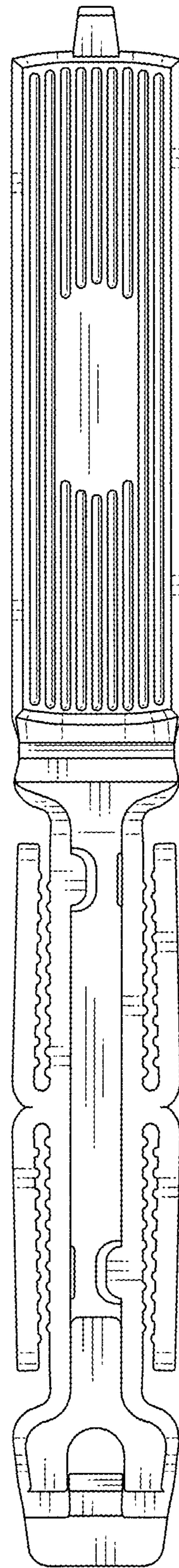


Fig. 8

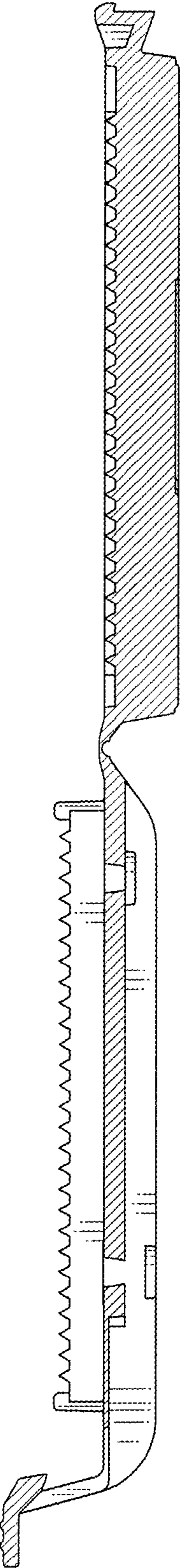


Fig. 9

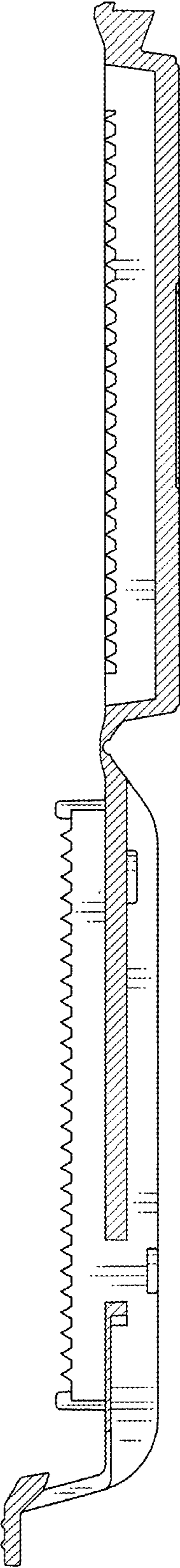


Fig. 10

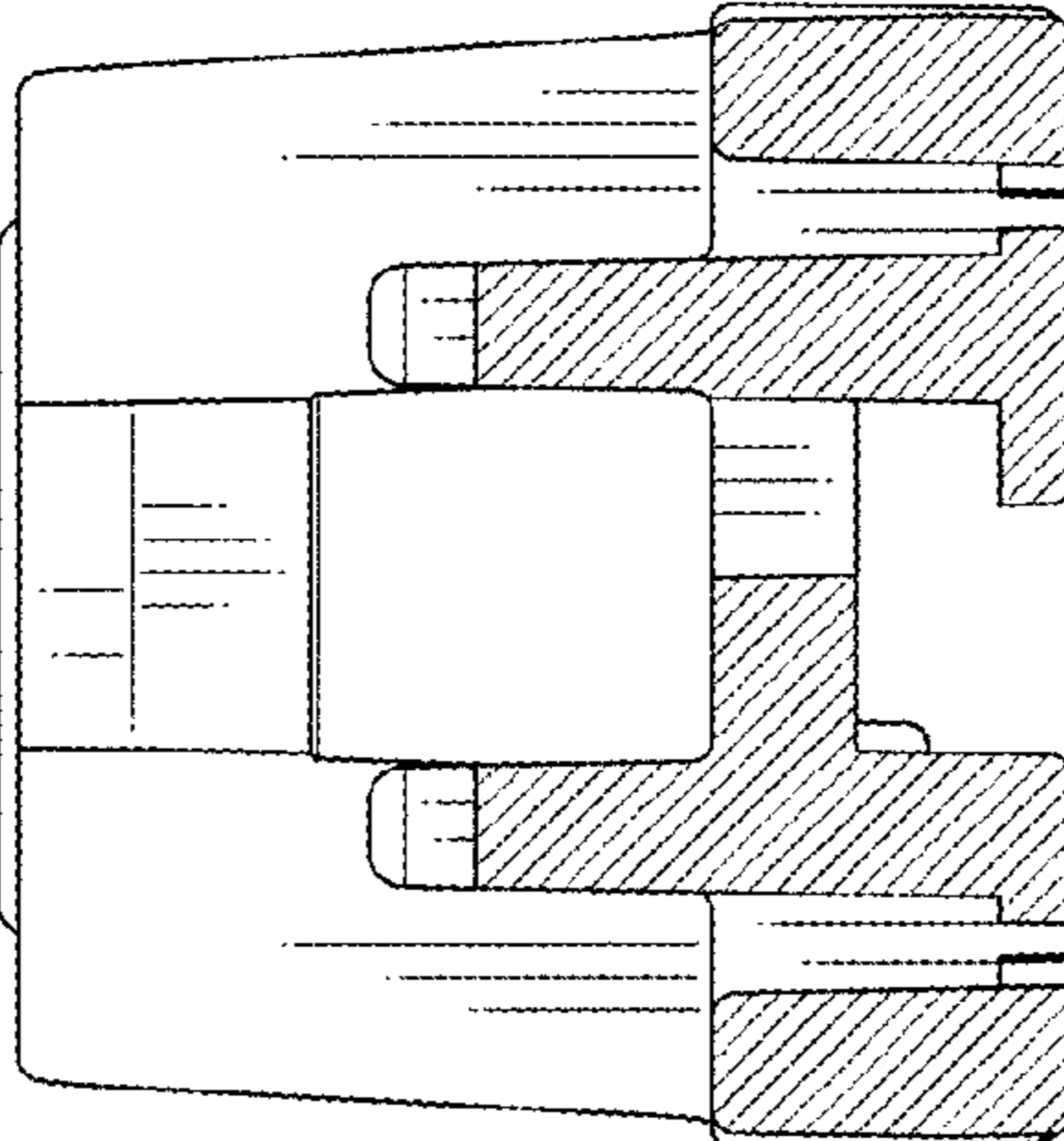


Fig. 11

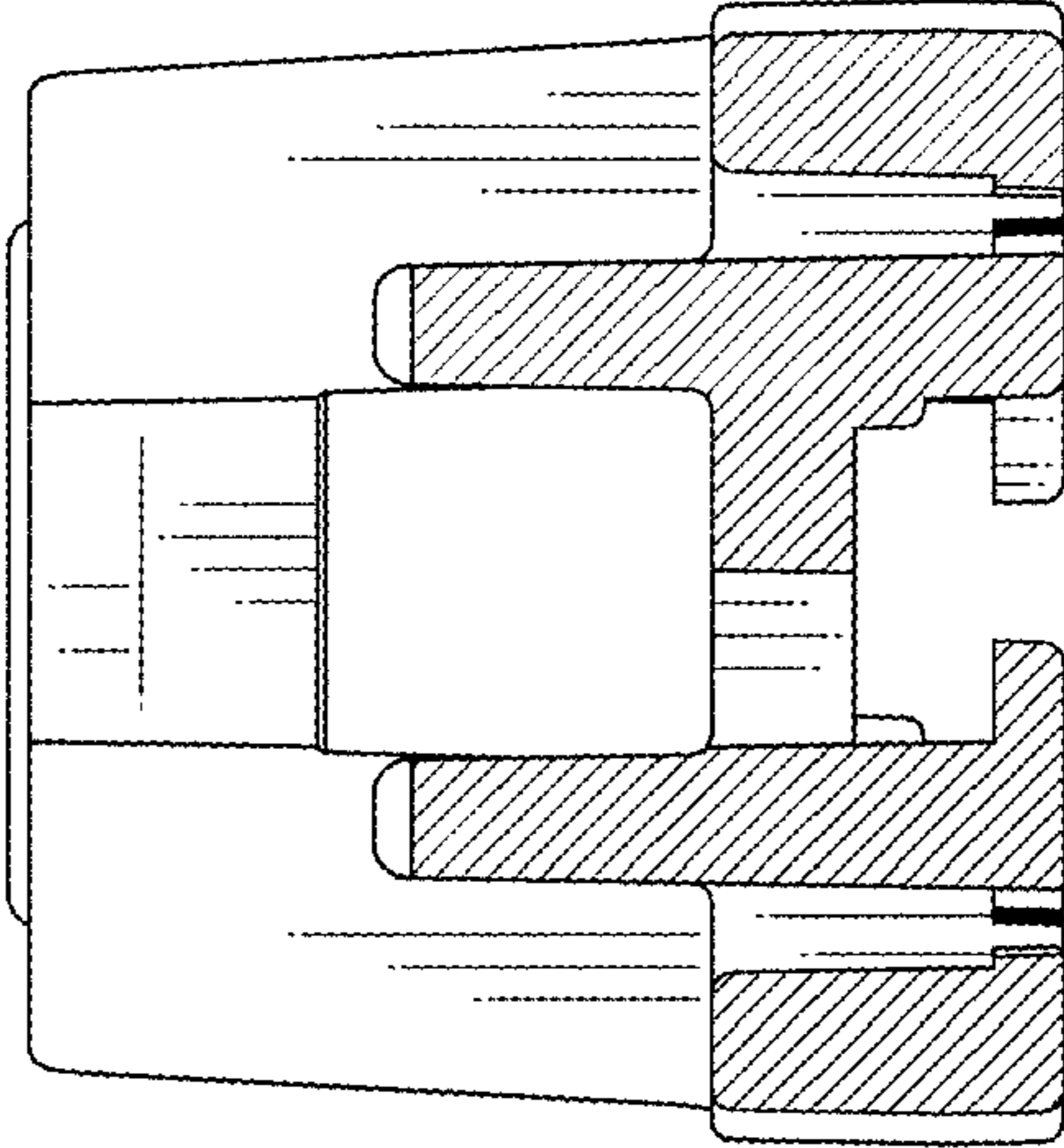


Fig. 12

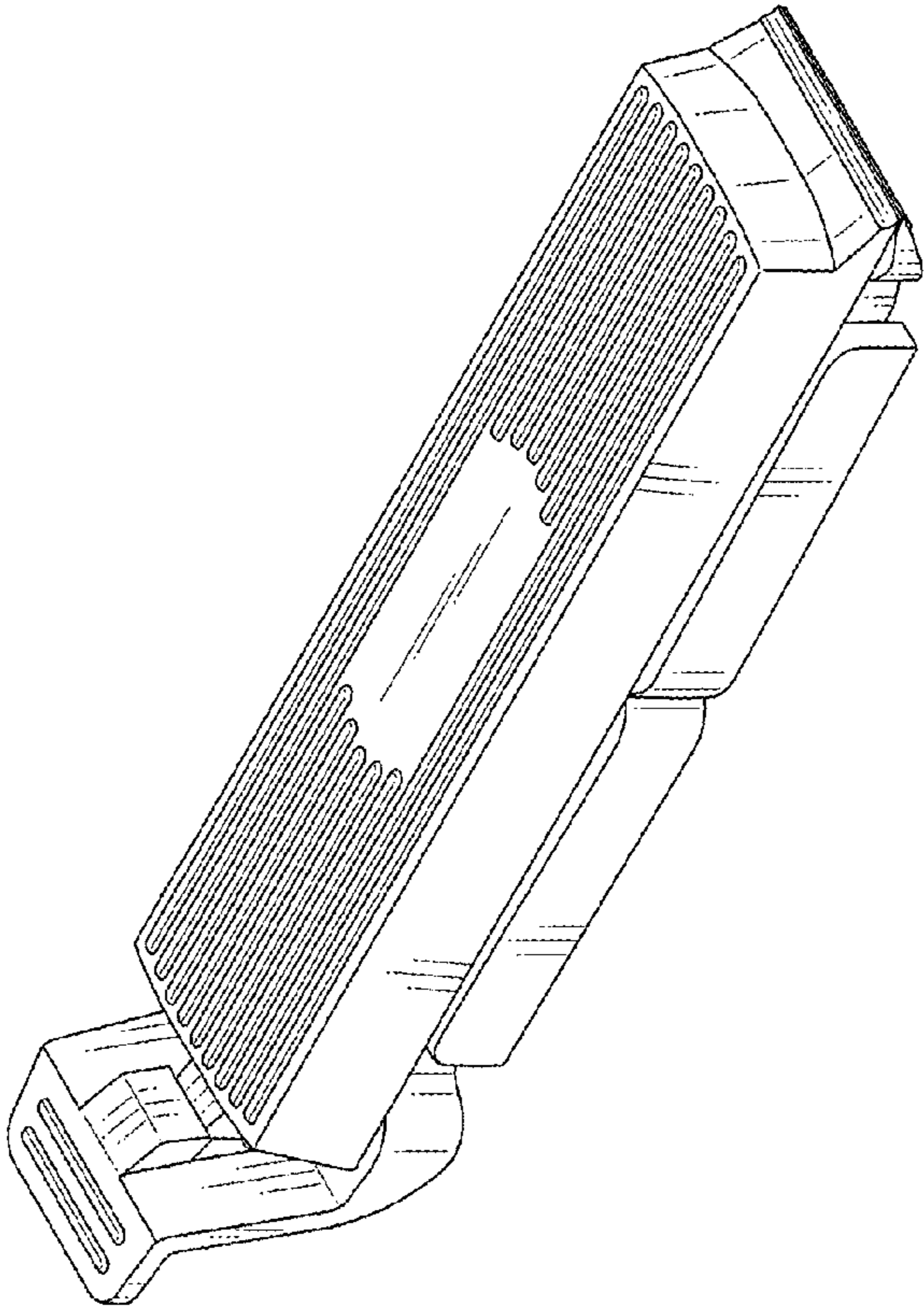


Fig. 13

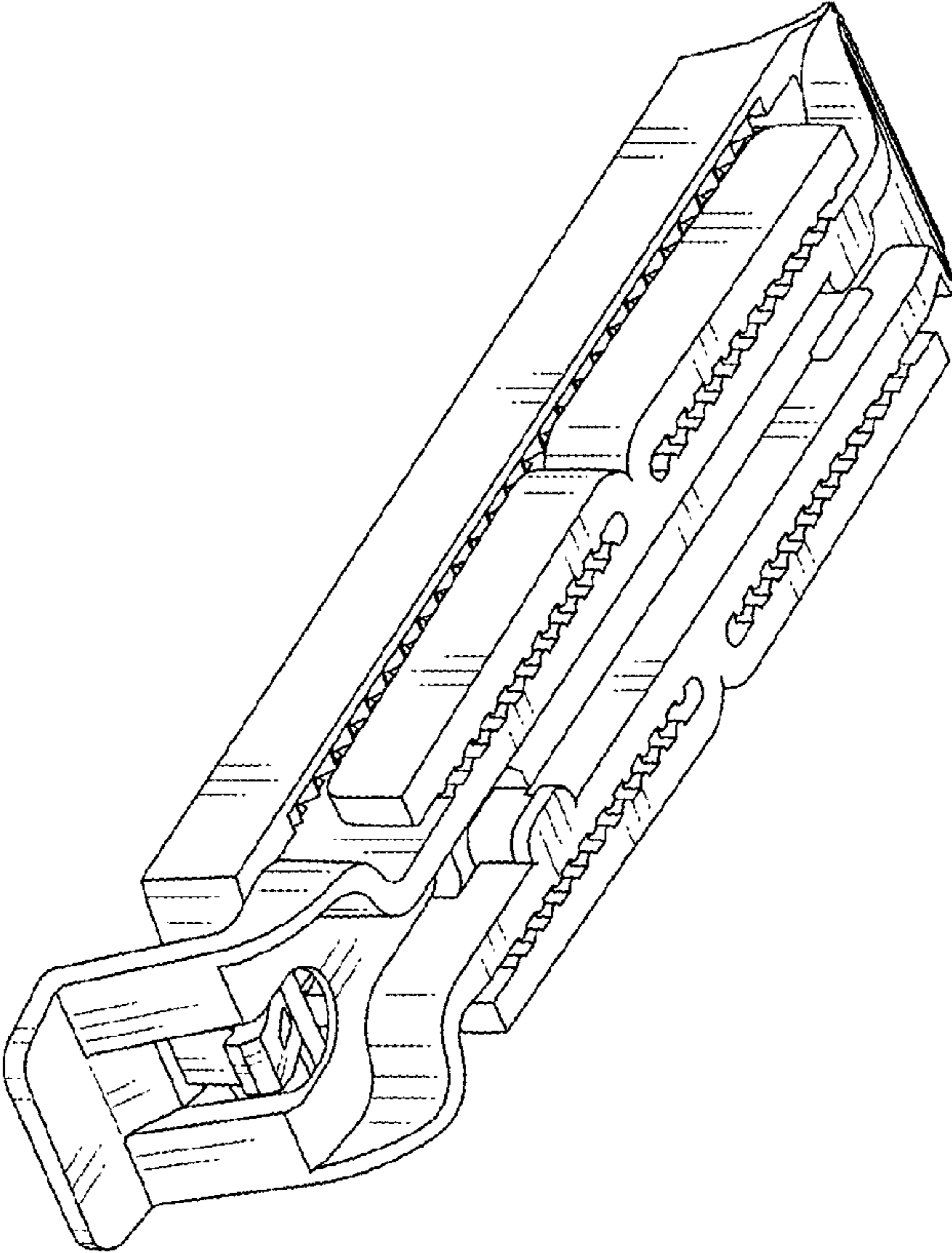


Fig. 14

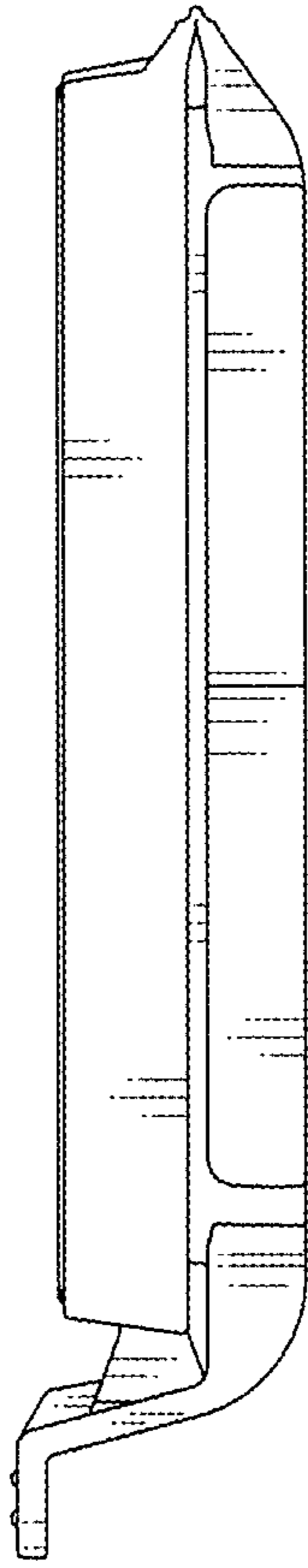




Fig. 15

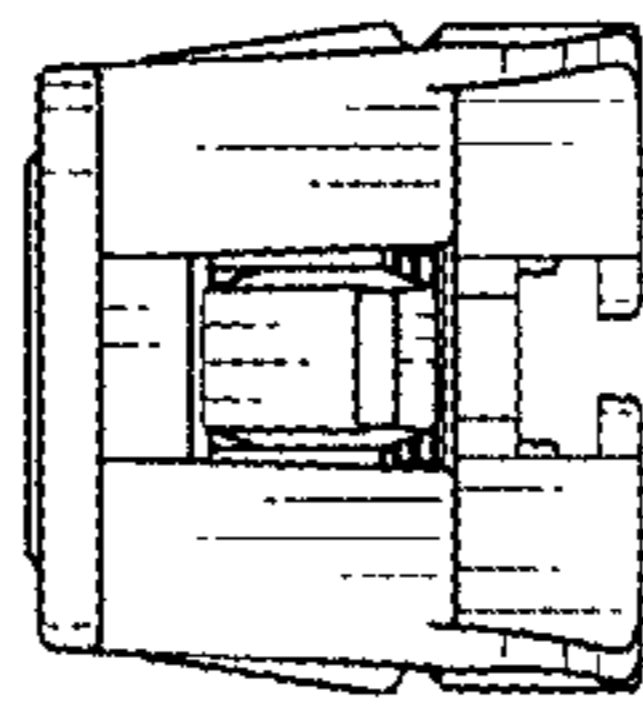


Fig. 16

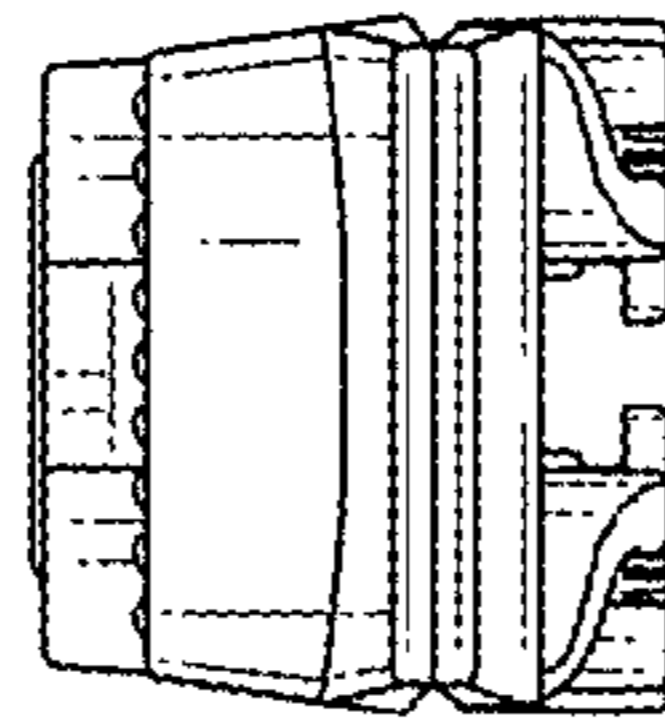


Fig. 17

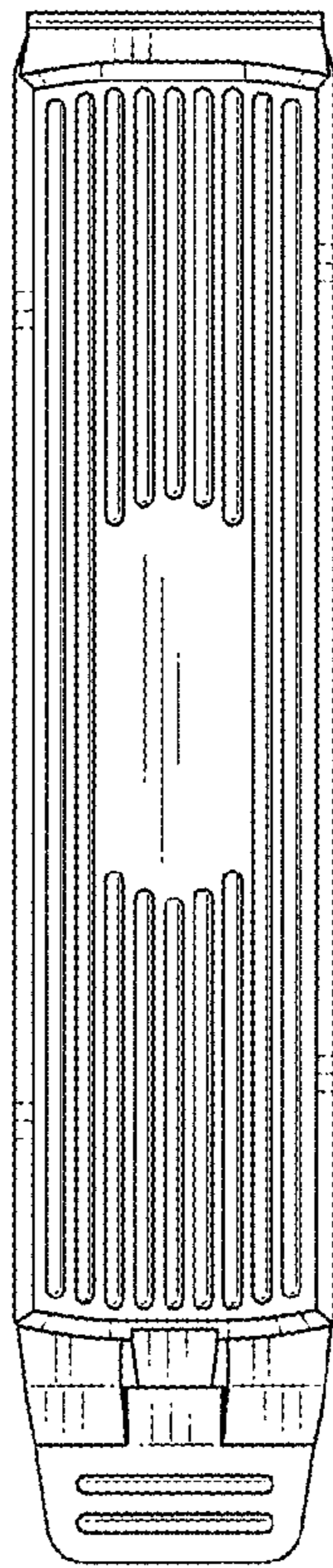


Fig. 18

