



US00D758175S

(12) **United States Design Patent**
Symons

(10) **Patent No.:** **US D758,175 S**
(45) **Date of Patent:** **** Jun. 7, 2016**

- (54) **FASTENING DEVICE**
- (71) Applicant: **BLUELOUNGE PTE. LTD.**, Wilkie Edge (SG)
- (72) Inventor: **Dominic Symons**, Wilkie Edge (SG)
- (73) Assignee: **Bluelounge Pte. Ltd.**, Wilkie Edge (SG)
- (**) Term: **15 Years**
- (21) Appl. No.: **29/535,484**
- (22) Filed: **Aug. 6, 2015**

5,604,961 A	2/1997	Cole	
D425,783 S *	5/2000	Ishida	D8/356
D428,796 S *	8/2000	van Ochten	D8/349
6,131,969 A *	10/2000	Natkins	B65D 63/06 24/136 R
D433,649 S *	11/2000	Buettell	D11/200
6,199,412 B1	3/2001	Kennedy	
6,381,816 B1 *	5/2002	Lai	A43C 7/00 24/130

(Continued)

FOREIGN PATENT DOCUMENTS

EP	0765281	6/1995
WO	2013113056	8/2013

OTHER PUBLICATIONS

justduckyproducts-store.com, Oct. 15, 2014, Internet printout: <http://www.justduckyproducts-store.com/>.

(Continued)

Related U.S. Application Data

- (62) Division of application No. 29/506,832, filed on Oct. 21, 2014, now abandoned.
- (51) **LOC (10) Cl.** **08-08**
- (52) **U.S. Cl.**
USPC **D8/383**
- (58) **Field of Classification Search**
USPC D8/349, 382, 354, 383
CPC H01R 13/6392; H01R 13/5816; E06B 9/326;
Y10T 24/3982; Y10T 24/39; Y10T 24/3916;
F16G 11/10; B62J 7/08
See application file for complete search history.

Primary Examiner — Sheryl Lane
(74) *Attorney, Agent, or Firm* — Vested Law LLP

(57) **CLAIM**
The ornamental design for a fastening device, as shown and described.

DESCRIPTION

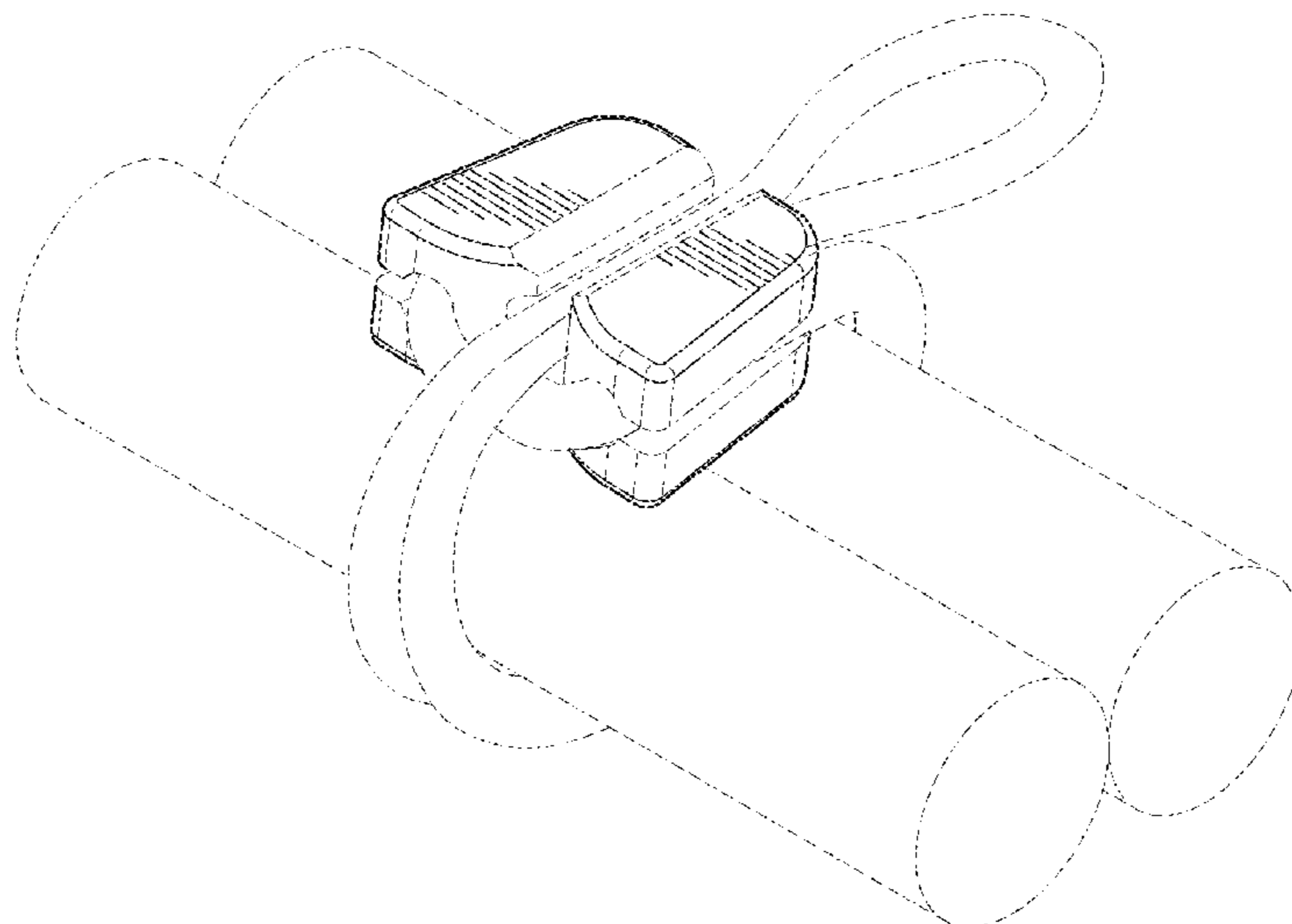
The present patent application is related to U.S. Ser. No. 29/530,230 filed on Jun. 15, 2015, which is incorporated herein in its entirety by reference.
FIG. 1 is a top plan view embodying the inventive design;
FIG. 2 is a rear view thereof;
FIG. 3 is a side view thereof;
FIG. 4 is a front view thereof;
FIG. 5 is a bottom view thereof; and,
FIG. 6 is an environmental perspective view thereof.
The broken lines are directed to environment and form no part of the claimed design.

(56) **References Cited**

U.S. PATENT DOCUMENTS

3,022,557 A	2/1962	Logan	
3,887,965 A	6/1975	Schuplin	
3,965,544 A	6/1976	Boden	
D247,345 S *	2/1978	Mulholland	D2/607
4,156,574 A	5/1979	Boden	
D259,620 S	6/1981	Johnsen	
D297,304 S *	8/1988	Ito	D11/200
D309,251 S	7/1990	Palmer	
D343,570 S *	1/1994	Meier	D8/383
5,283,930 A	2/1994	Krauss	
5,345,656 A	9/1994	Merritt	

1 Claim, 3 Drawing Sheets



(56)

References Cited

U.S. PATENT DOCUMENTS

6,524,041 B1 2/2003 Voiculescu
 6,662,415 B1 * 12/2003 Lin A43C 7/00
 24/129 R
 6,735,829 B2 * 5/2004 Hsu A43C 3/00
 24/130
 D499,330 S * 12/2004 Peato D13/156
 7,185,399 B2 3/2007 Logan
 D569,349 S * 5/2008 Preston D13/156
 D608,626 S * 1/2010 Camisasca 24/115 G
 D609,082 S * 2/2010 Camisasca D8/382
 7,654,042 B1 2/2010 Brown
 D649,444 S * 11/2011 Gallagher, Jr. D8/382
 D649,932 S 12/2011 Symons
 8,079,116 B2 12/2011 Ayers
 D709,359 S * 7/2014 Symons D8/383
 D709,755 S * 7/2014 Hollingworth F16G 11/106
 24/134 KB
 8,966,717 B2 * 3/2015 Chen E06B 9/326
 D8/396
 D727,138 S * 4/2015 Cross E06B 9/326
 160/178.1 R
 2001/0001340 A1 5/2001 Libecco
 2006/0037178 A1 2/2006 Sulhoff
 2006/0177282 A1 8/2006 Blosser
 2007/0071568 A1 3/2007 Dorstewitz

2007/0251279 A1 11/2007 Hollier
 2008/0115334 A1 * 5/2008 Chen A43C 1/00
 24/115 G
 2009/0094798 A1 * 4/2009 Yao A43C 1/00
 D8/382
 2012/0042498 A1 * 2/2012 Chu F16G 11/04
 D8/383
 2012/0137475 A1 * 6/2012 Seader F16G 11/04
 29/453
 2013/0185900 A1 7/2013 Campbell
 2014/0123439 A1 * 5/2014 Bacon F16G 11/10
 24/129 R
 2014/0182084 A1 7/2014 Hill

OTHER PUBLICATIONS

bungeeco.com, Oct. 17, 2014, Internet printout: <http://bungeeco.com/>.
 rapstrap.com, Oct. 17, 2014, Internet printout: <http://www.rapstrap.com/product>.
 lowes.com, Oct. 15, 2014, Internet printout: <http://www.lowes.com/Search=bungee+cords?storeId=10151&langId=-1&catalogId=10051&N=0&newSearch=true&Ntt=bungee+cords#!>.
 lowes.com, Oct. 15, 2014, Internet printout: http://www.lowes.com/Hardware/Chains-Ropes-Tie-Downs/Tie-Downs/_/N-1z11olp/pI#!&Va=false&page=1&rpp=48 Page.

* cited by examiner

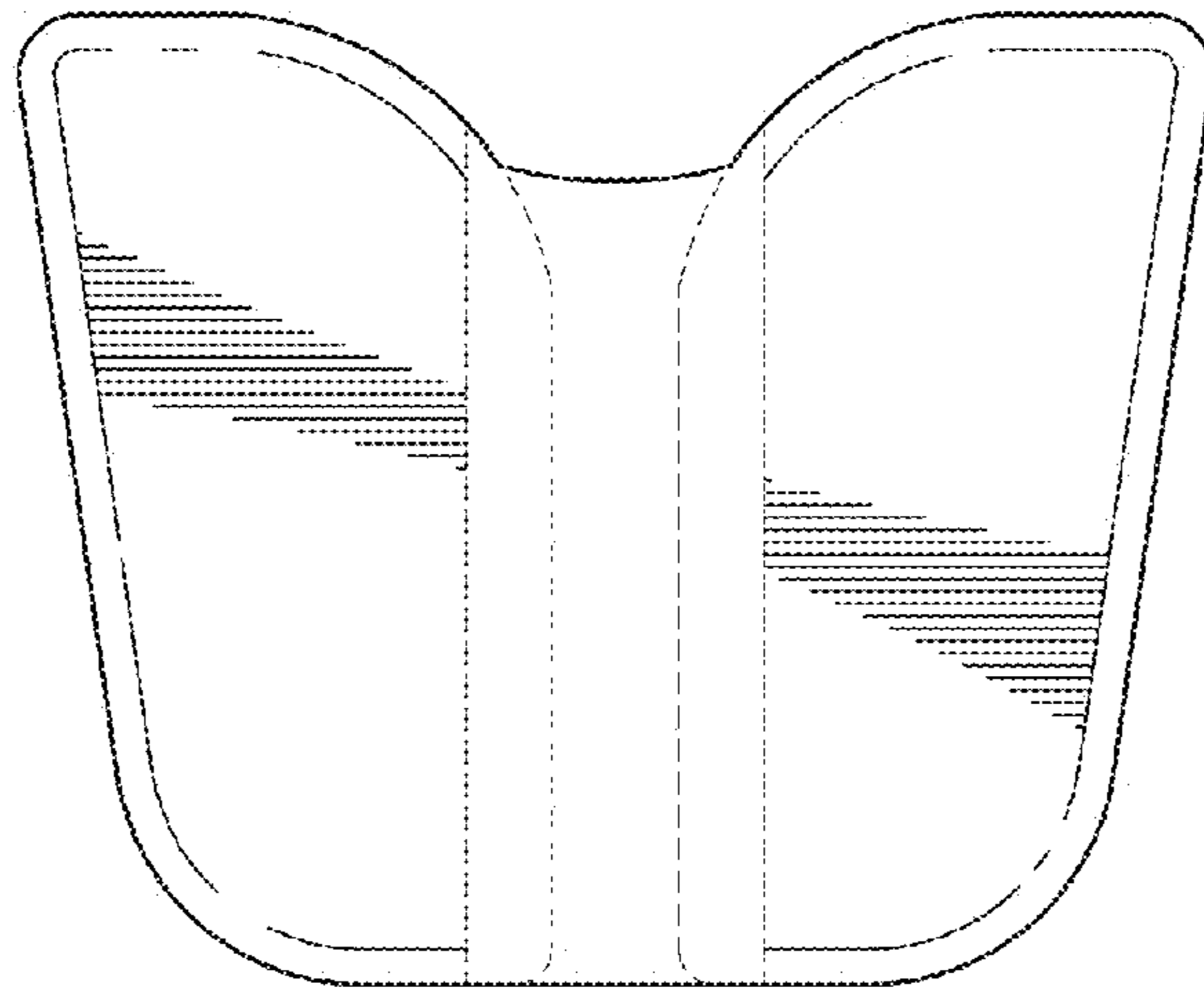


FIG. 1

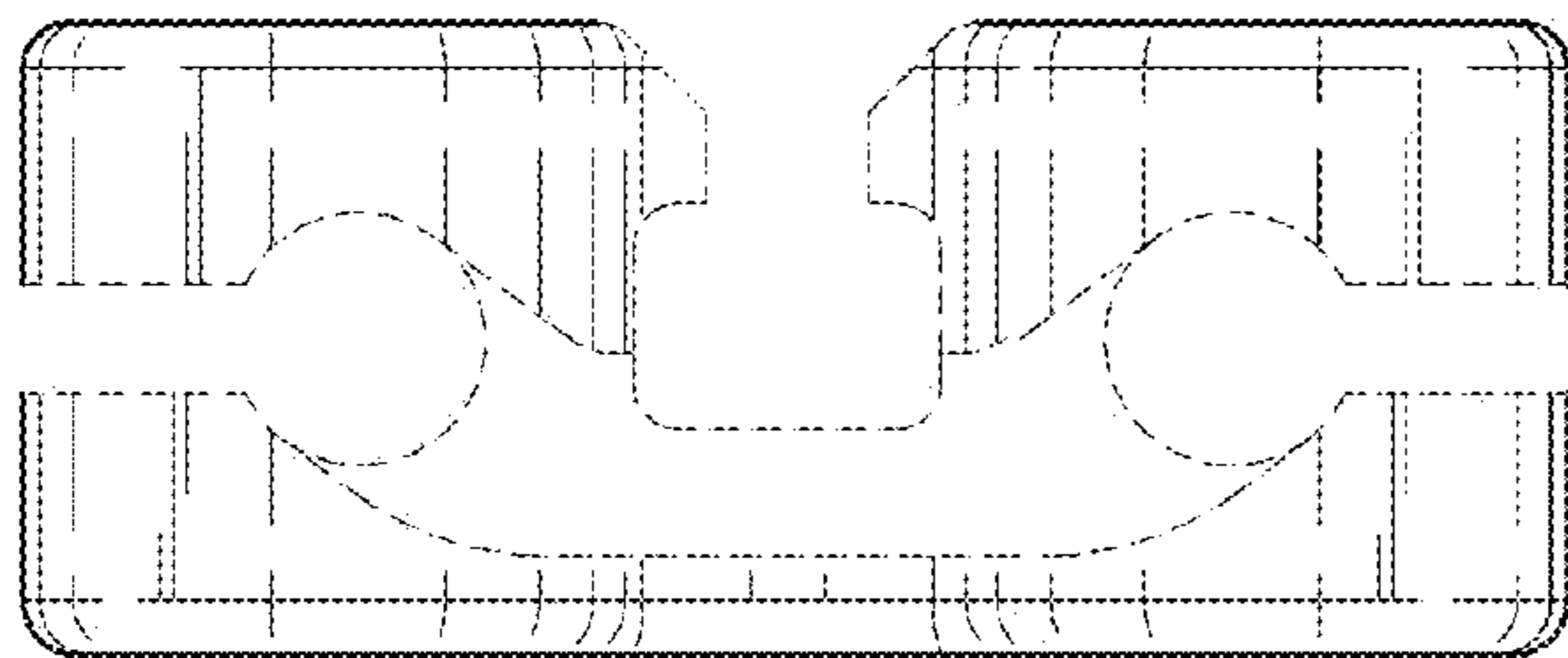


FIG. 2

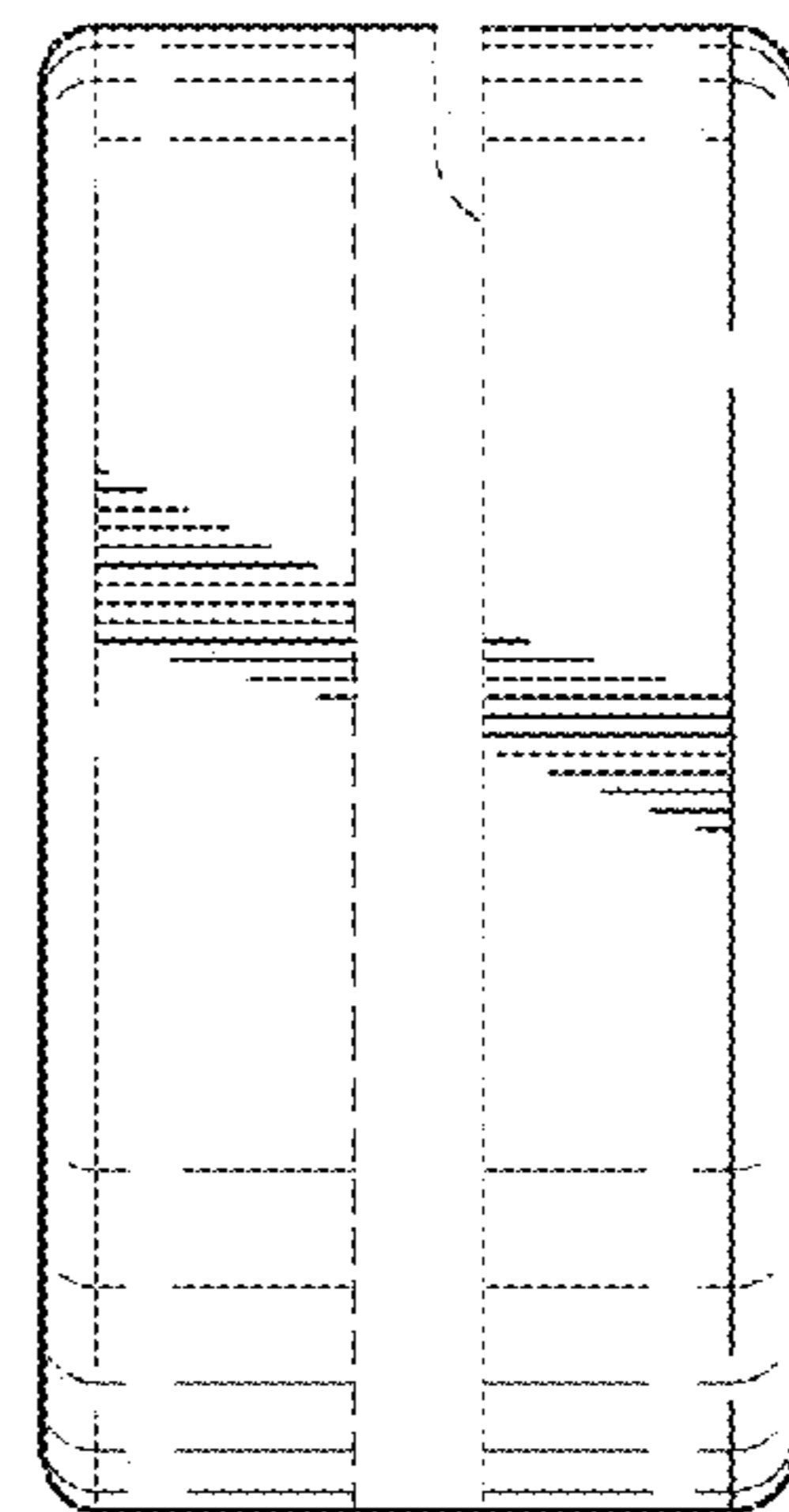


FIG. 3

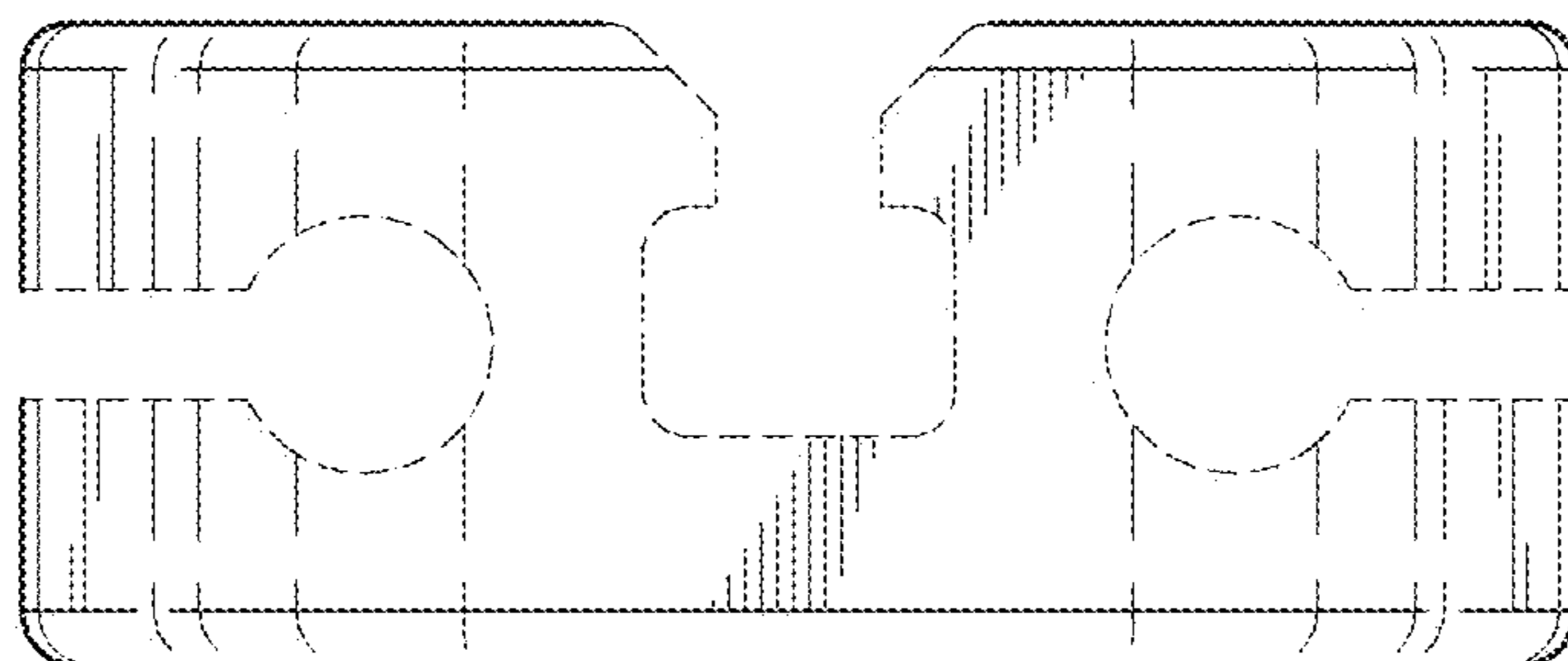


FIG. 4

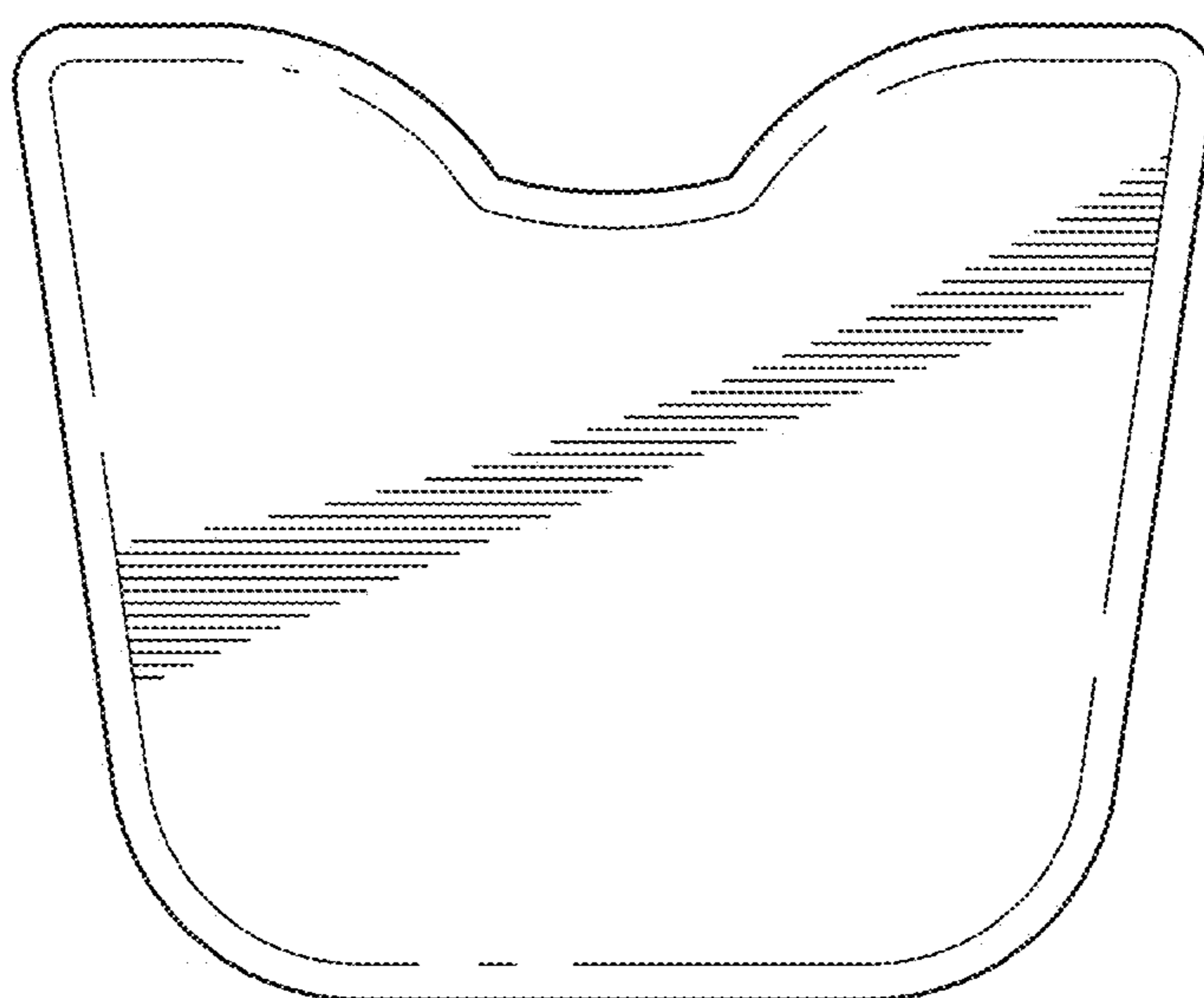


FIG. 5

