



US00D758173S

(12) **United States Design Patent**
Sugasawara et al.

(10) **Patent No.:** **US D758,173 S**
(45) **Date of Patent:** **** Jun. 7, 2016**

(54) **HANGER FOR SMALL ARTICLES**

DESCRIPTION

(71) Applicant: **SUGATSUNE KOGYO CO., LTD.**,
Chiyoda-ku, Tokyo (JP)

(72) Inventors: **Jun Sugasawara**, Chiyoda-ku (JP);
Masahito Yamada, Chiyoda-ku (JP)

(73) Assignee: **Sugatsune Kogyo Co., Ltd.**, Chiyoda-ku
(JP)

(**) Term: **14 Years**

(21) Appl. No.: **29/512,446**

(22) Filed: **Dec. 18, 2014**

(30) **Foreign Application Priority Data**

Jul. 2, 2014 (JP) 2014-014589

(51) **LOC (10) Cl.** **08-05**

(52) **U.S. Cl.**

USPC **D8/380**

(58) **Field of Classification Search**

USPC D8/16, 17, 18, 19, 20, 26, 363, 366,
D8/370-377, 380-382; D23/223, 257,
D23/238, 252; D6/323; D26/87; D19/113;
D20/10, 42, 99; D9/455, 499

CPC F16B 45/02; F16B 45/04; F16B 45/00
See application file for complete search history.

(56) **References Cited**

U.S. PATENT DOCUMENTS

D258,115 S * 2/1981 Piatek 248/317
D380,144 S * 6/1997 Lew D8/380

(Continued)

Primary Examiner — Robert M Spear
Assistant Examiner — Eliza Bennett-Hattan
(74) *Attorney, Agent, or Firm* — Masuvalley and Partners

(57) **CLAIM**
The ornamental design for a hanger for small articles, as shown and described.

FIG. 1 is a perspective view of the hanger for small articles according to the invention;

FIG. 2 is a right side elevation view of the hanger for small articles of FIG. 1, with the left side elevation view being a mirror image;

FIG. 3 is a top plan view of the hanger for small articles of FIG. 1;

FIG. 4 is a bottom plan view of the hanger for small articles of FIG. 1;

FIG. 5 is a front elevation view of the hanger for small articles of FIG. 1;

FIG. 6 is a rear elevation view of the hanger for small articles of FIG. 1;

FIG. 7 is a perspective view of the hanger for small articles according to the invention in a state where engagement of an arm and a hook is released by slightly sliding the arm towards the rear of the hanger;

FIG. 8 is a right side elevation view of the hanger for small articles of FIG. 7, with the left side elevation view being a mirror image;

FIG. 9 is a front elevation view of the hanger for small articles of FIG. 7;

FIG. 10 is a perspective view of the hanger for small articles according to the invention in a state where the arm has rotated by approximately 80 degrees upwards with regard to the hook;

FIG. 11 is a right side elevation view of the hanger for small articles of FIG. 10;

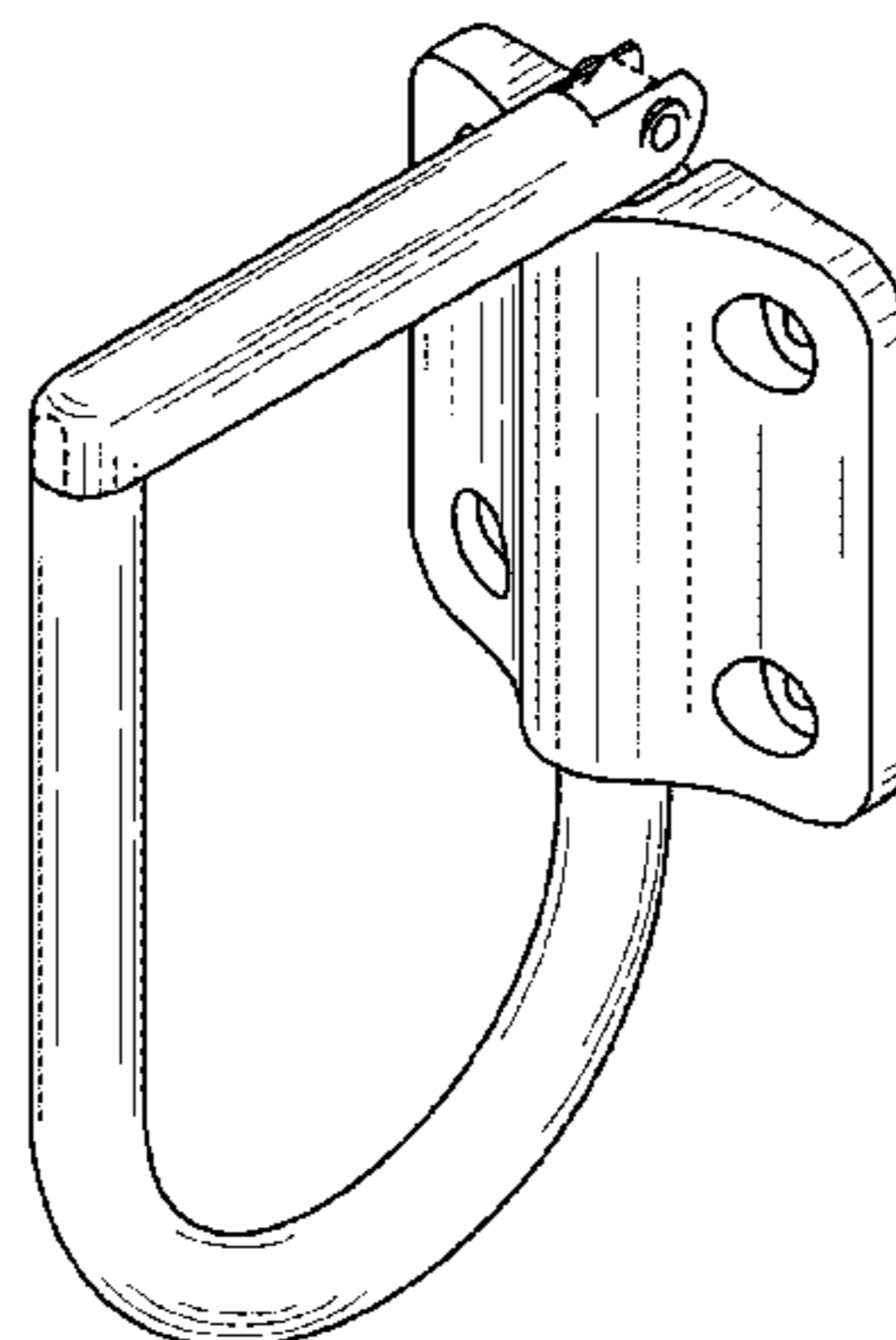
FIG. 12 is a top plan view of the hanger for small articles of FIG. 10;

FIG. 13 is a front elevation view of the hanger for small articles of FIG. 10;

FIG. 14 is a perspective view of the hanger for small articles according to the invention in a state where the hook has rotated by approximately 90 degrees with regard to a base; and,

FIG. 15 is a front elevation view of the hanger for small articles of FIG. 14.

1 Claim, 15 Drawing Sheets



US D758,173 S

Page 2

(56)

References Cited

U.S. PATENT DOCUMENTS

D402,188 S	*	12/1998	Hetner	D8/367	
D429,996 S	*	8/2000	Fiorentino	D8/356	* cited by examiner
D433,617 S	*	11/2000	Gray, Jr.	D8/356	
D516,416 S	*	3/2006	Friedline	D8/380	
D516,903 S	*	3/2006	Friedline	D8/380	

FIG. 1

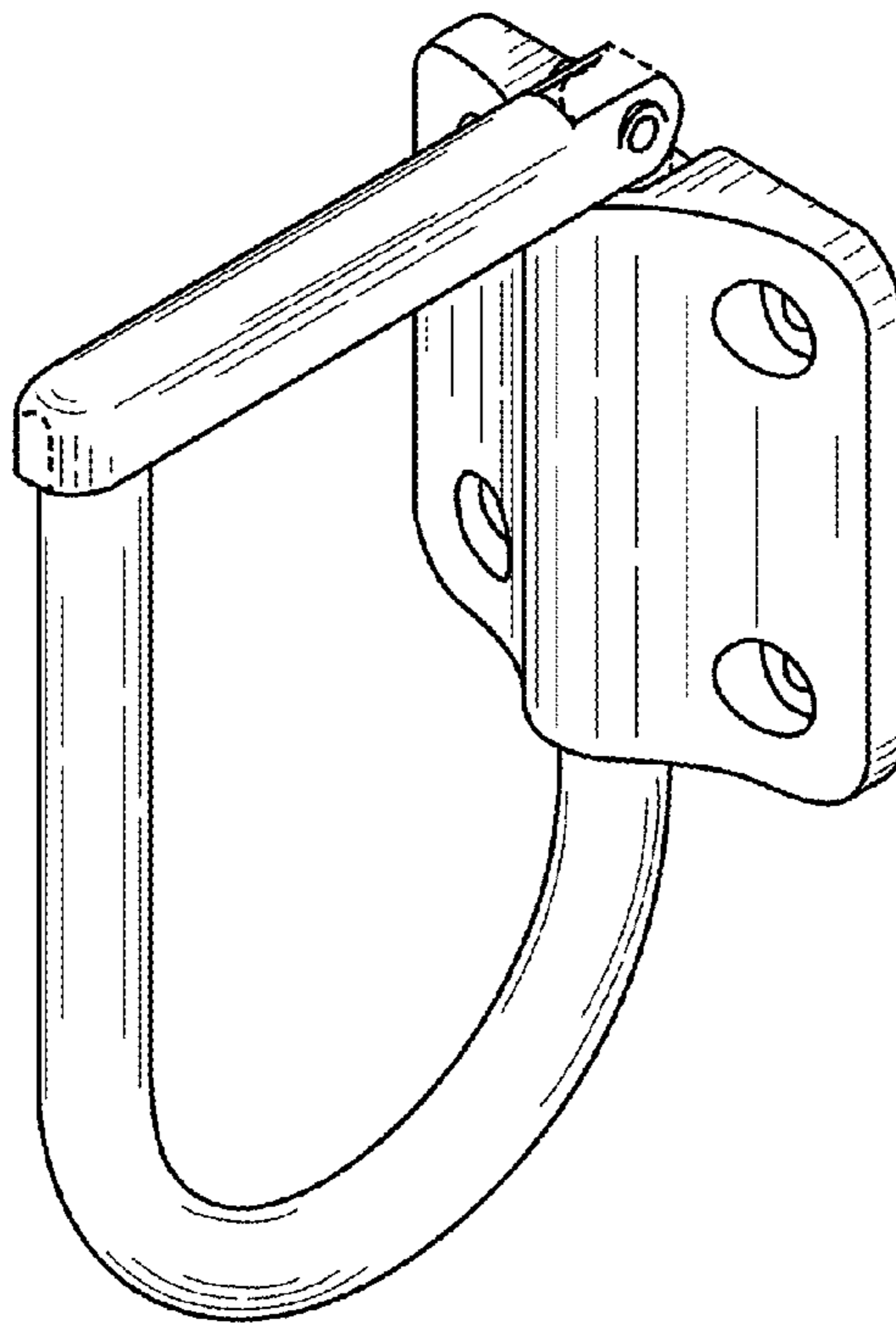


FIG. 2

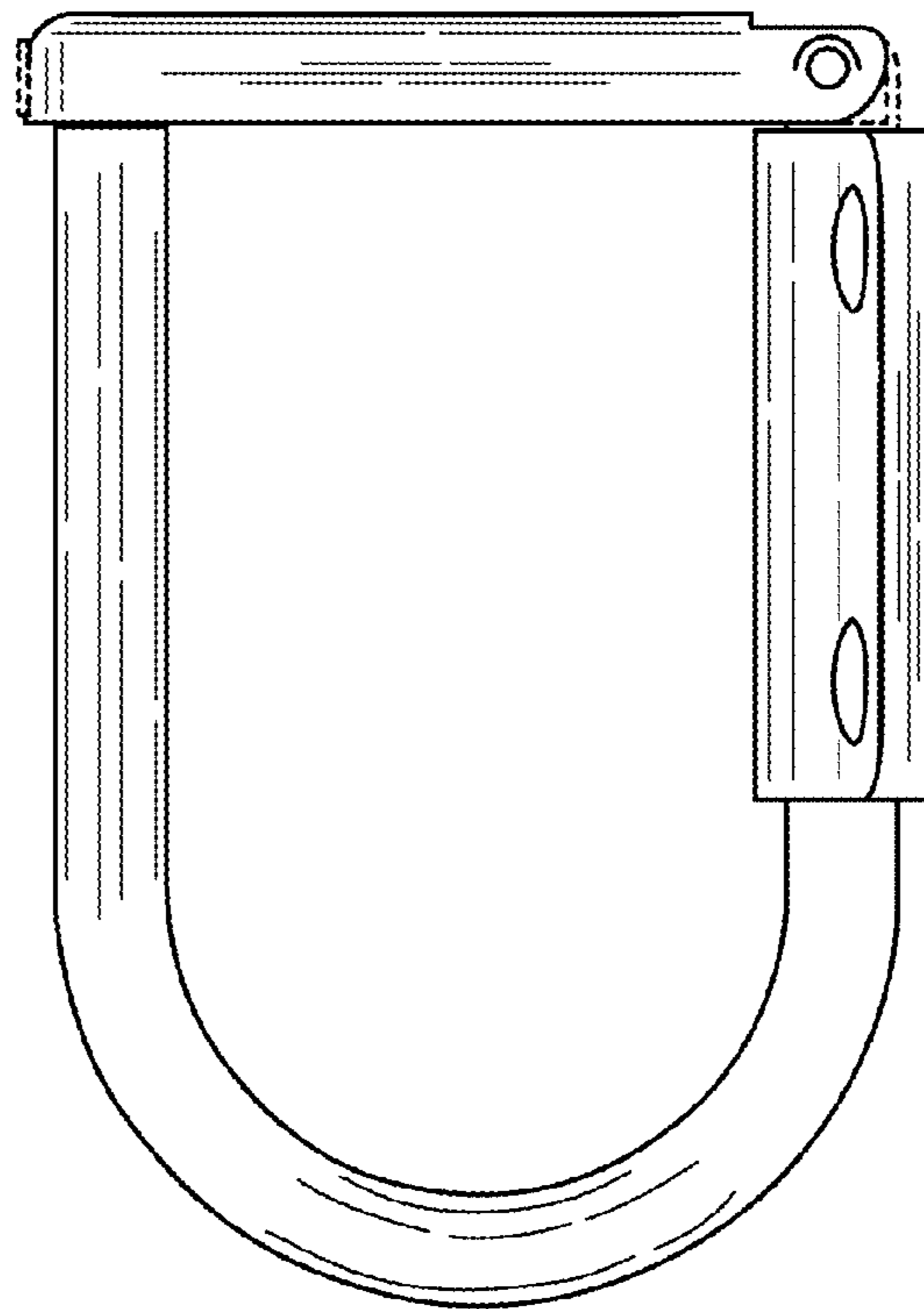


FIG. 3

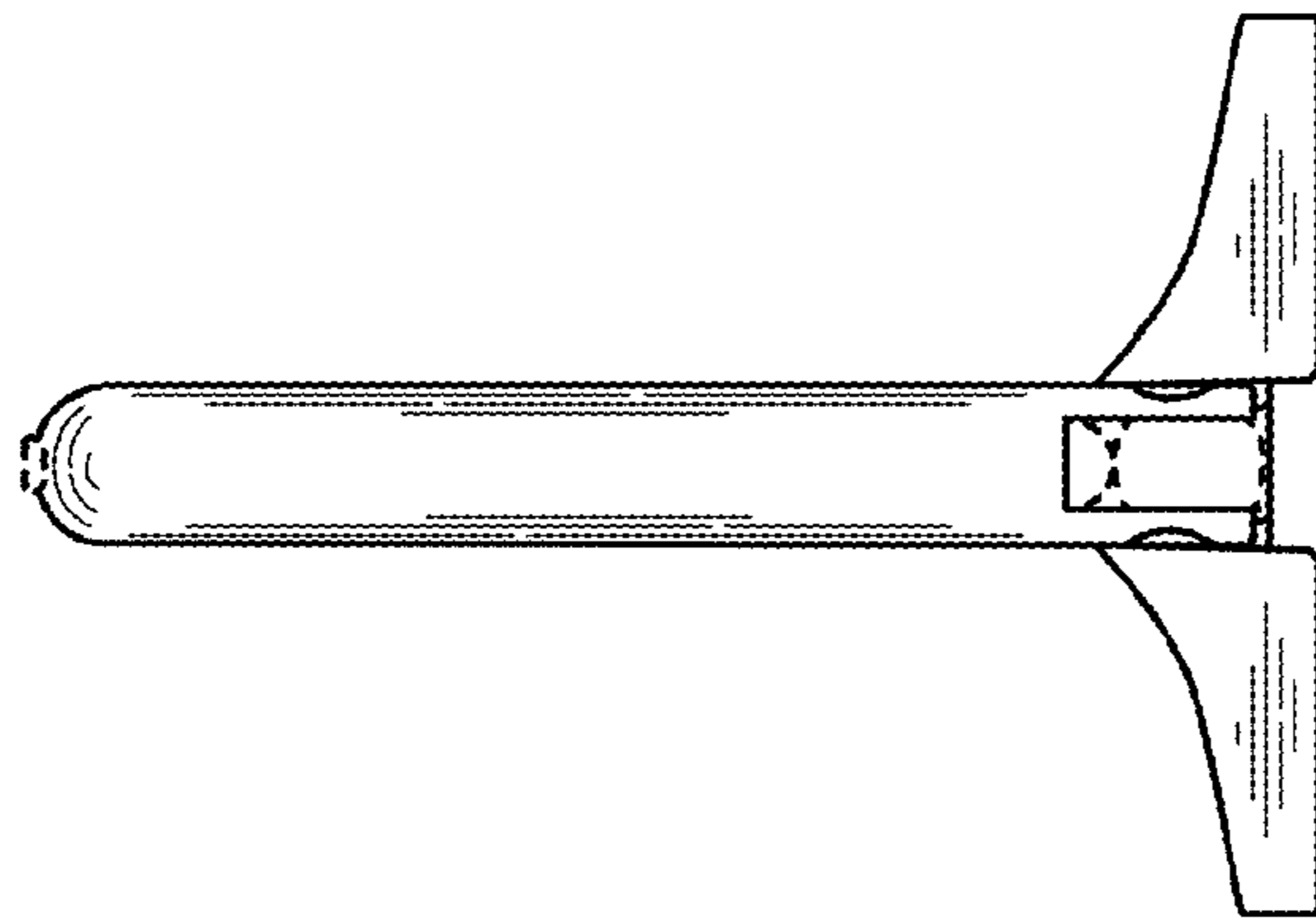


FIG. 4

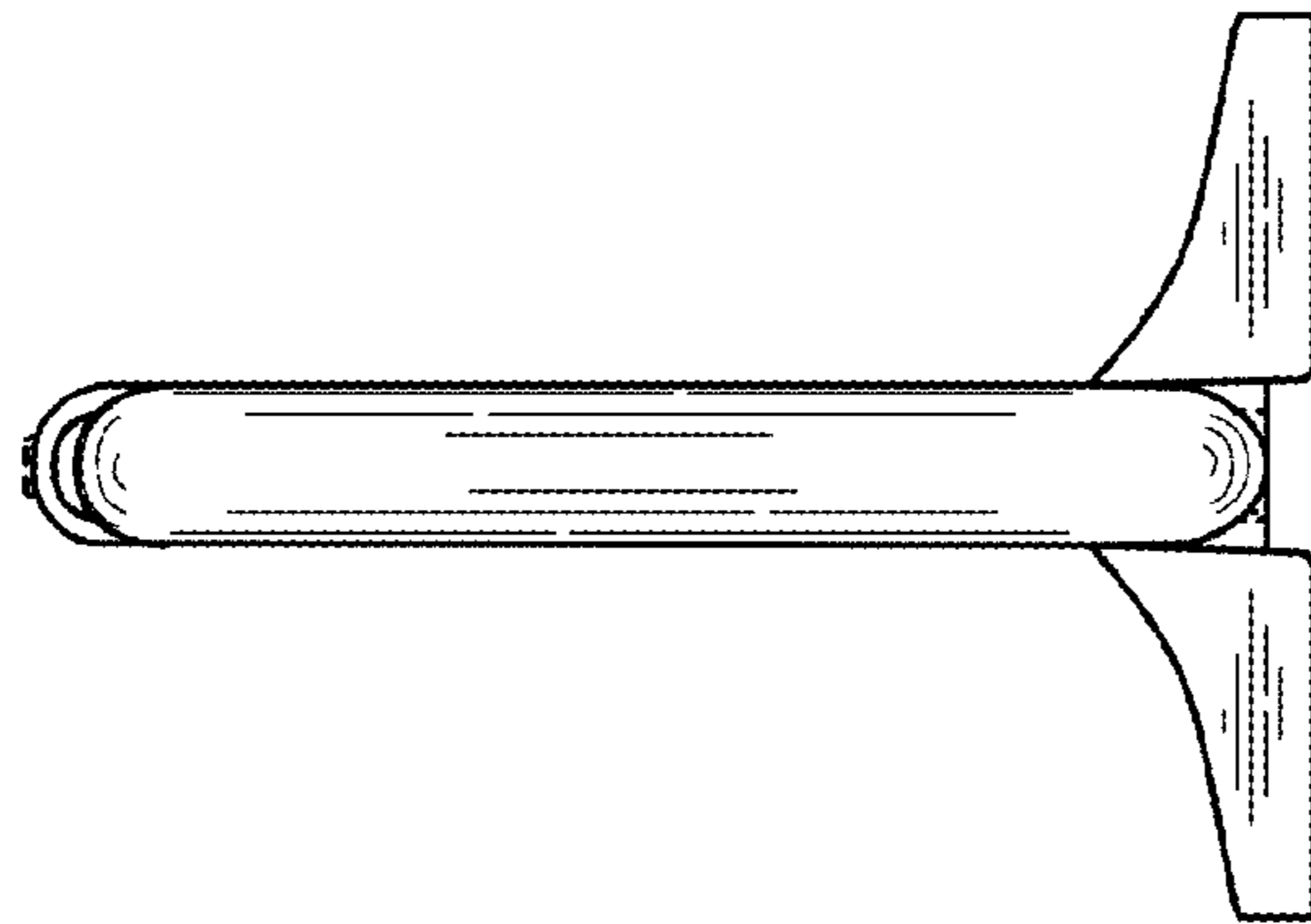


FIG. 5

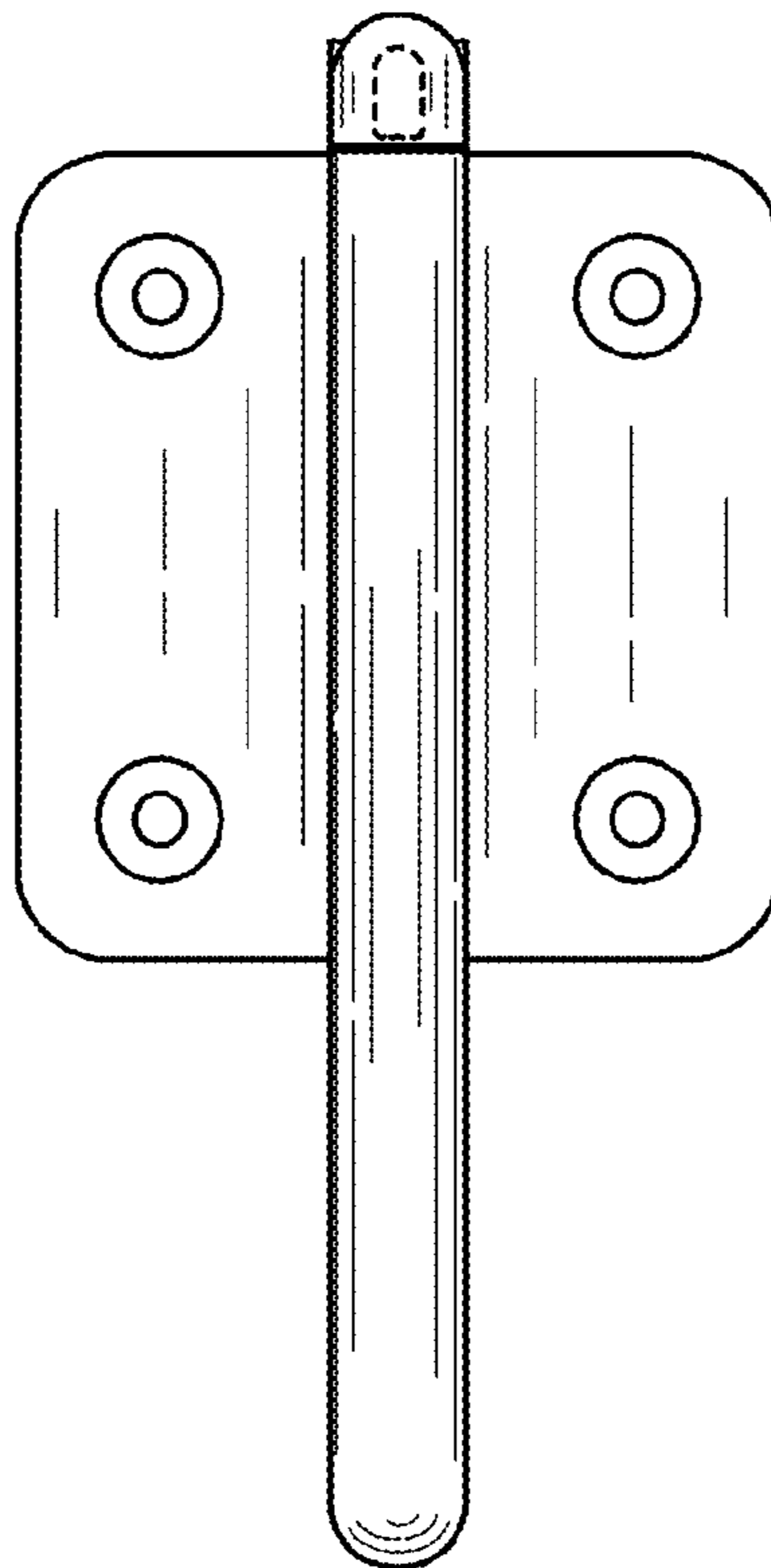


FIG. 6

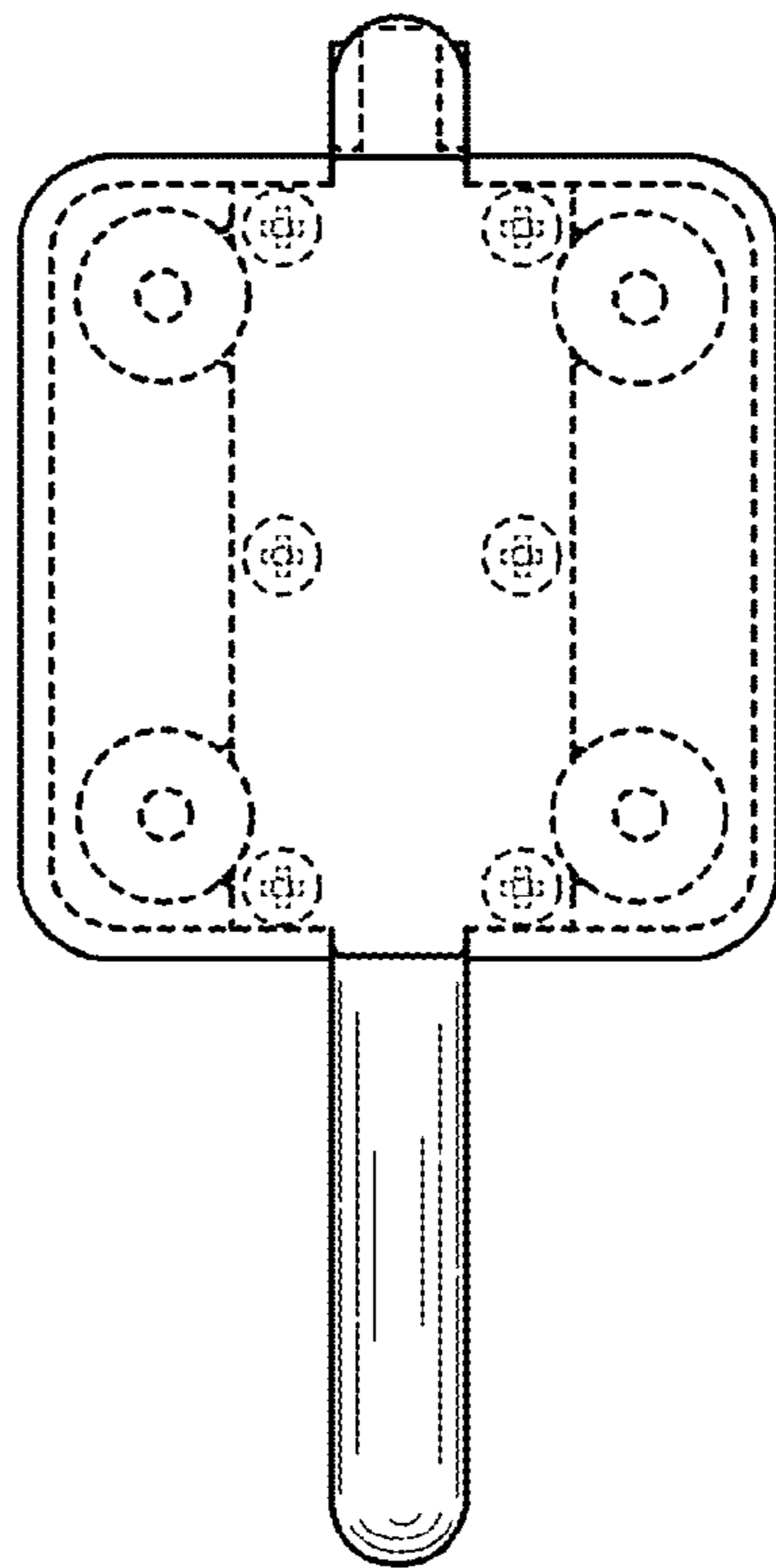


FIG. 7

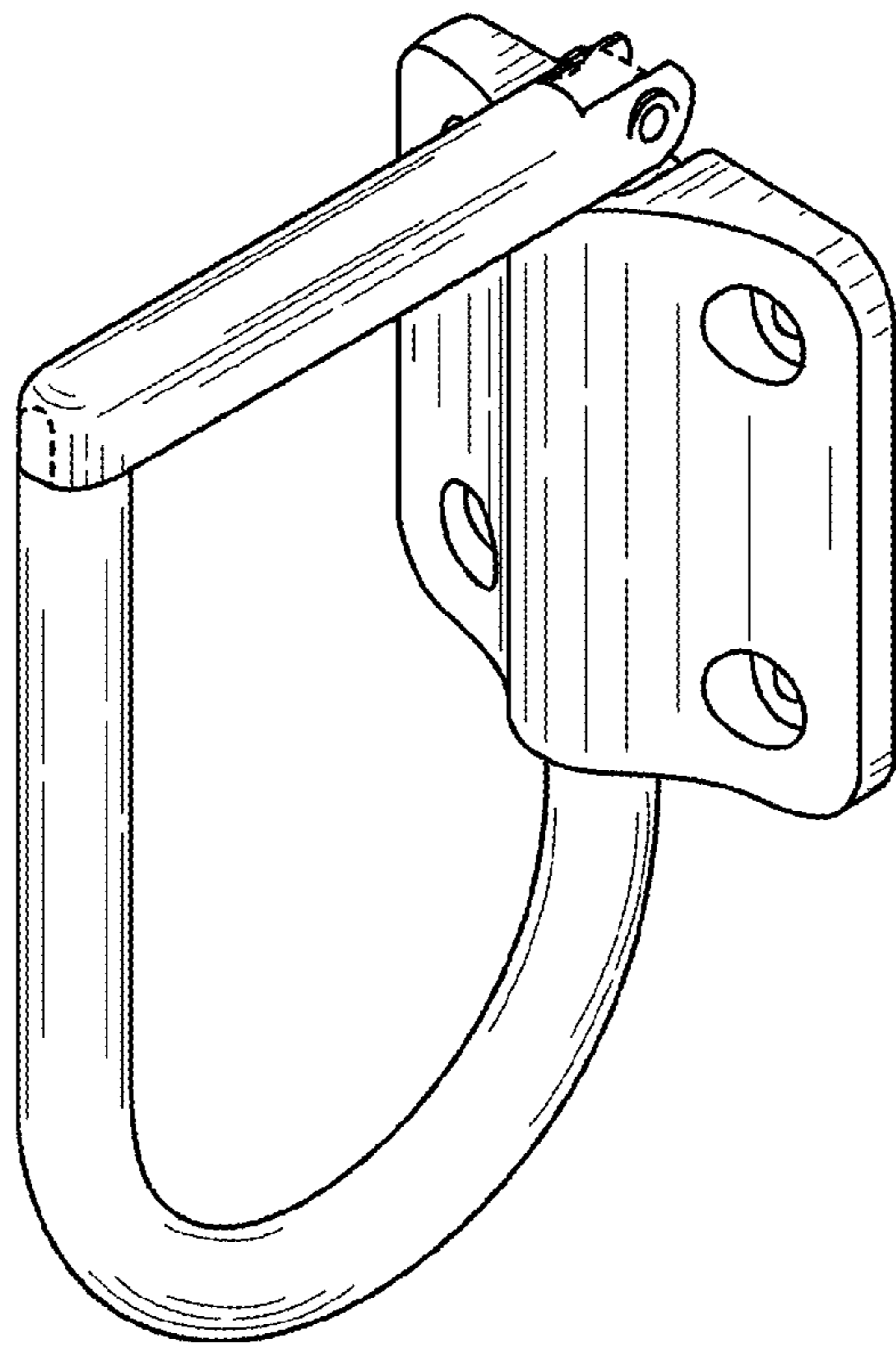


FIG. 8

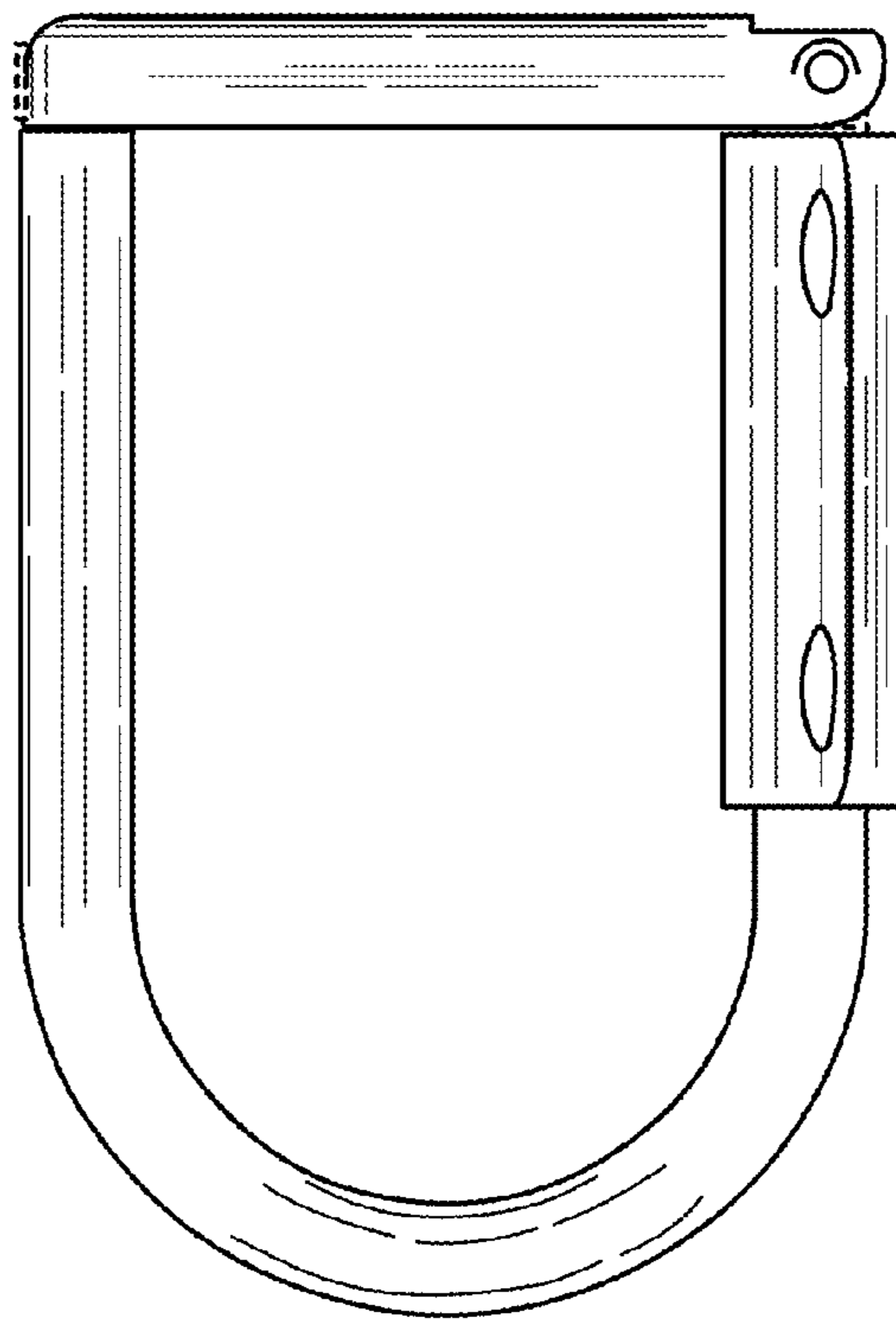


FIG. 9

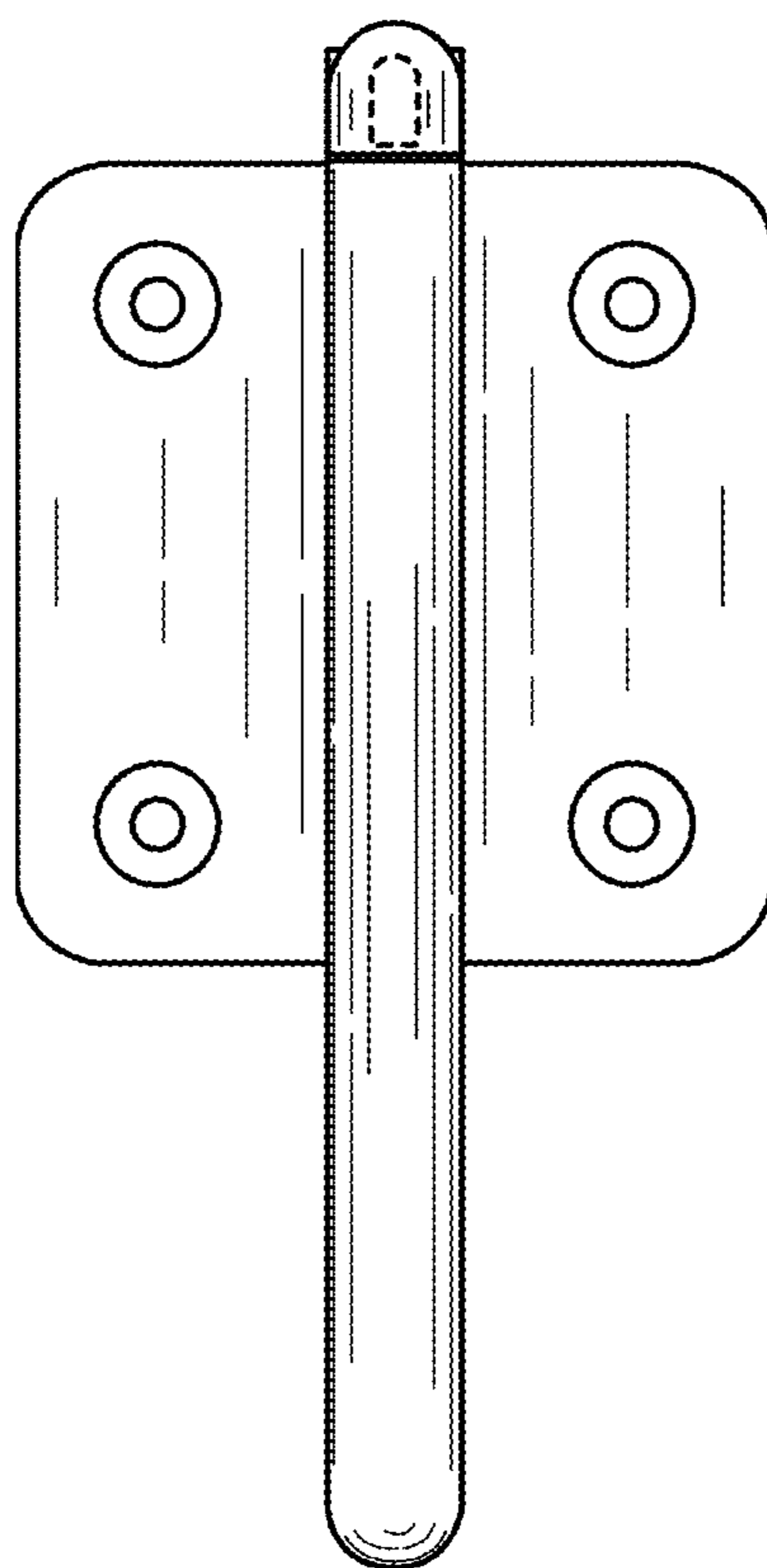


FIG. 10

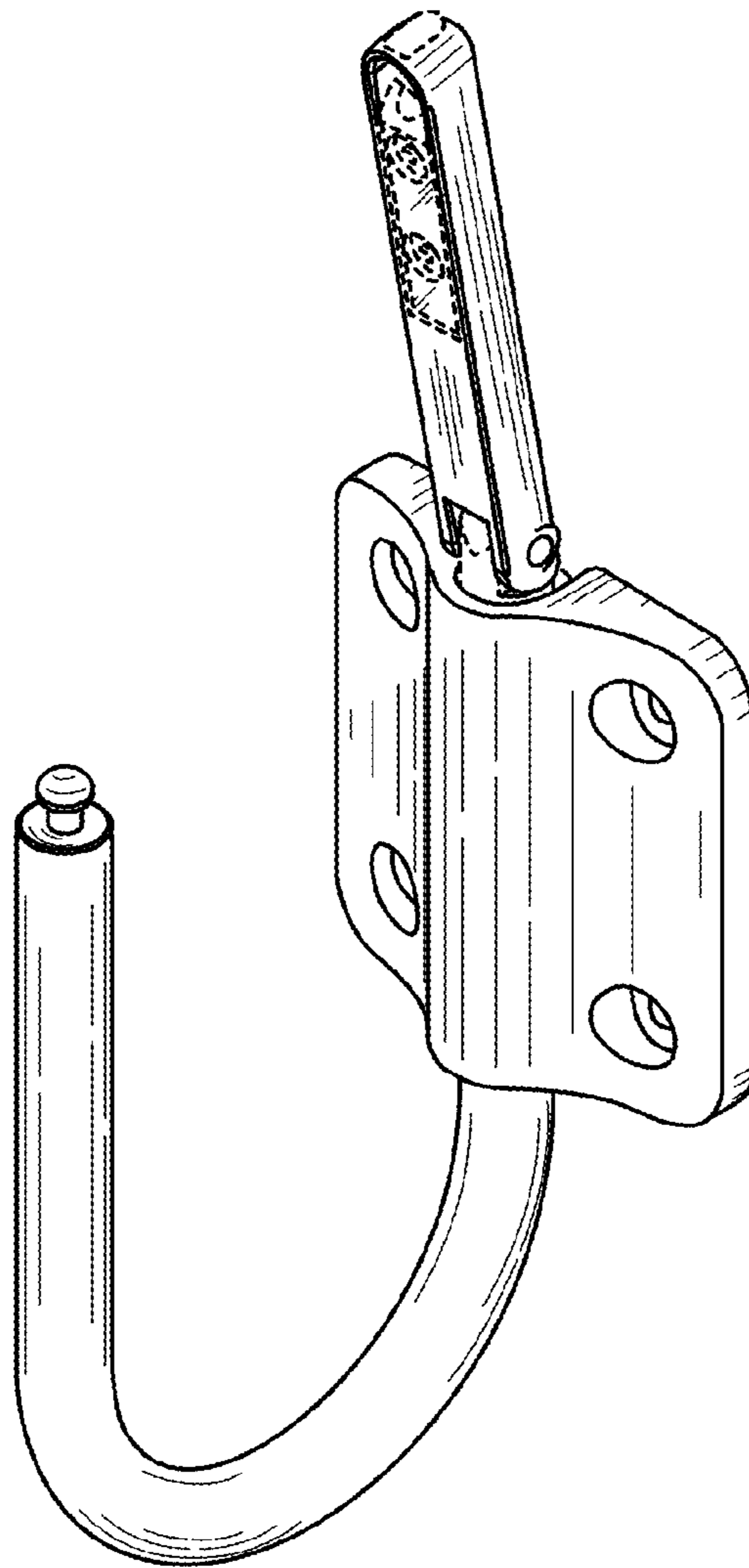


FIG. 11

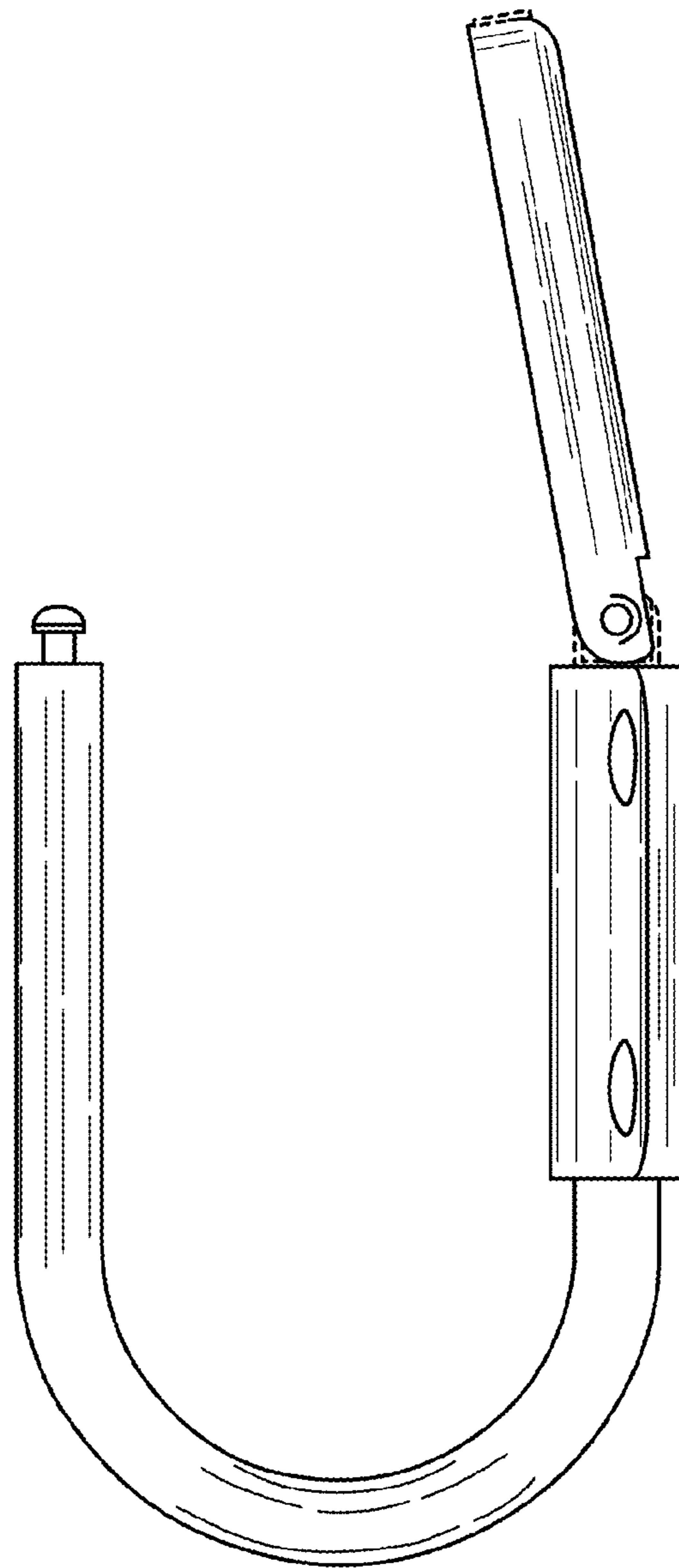


FIG. 12

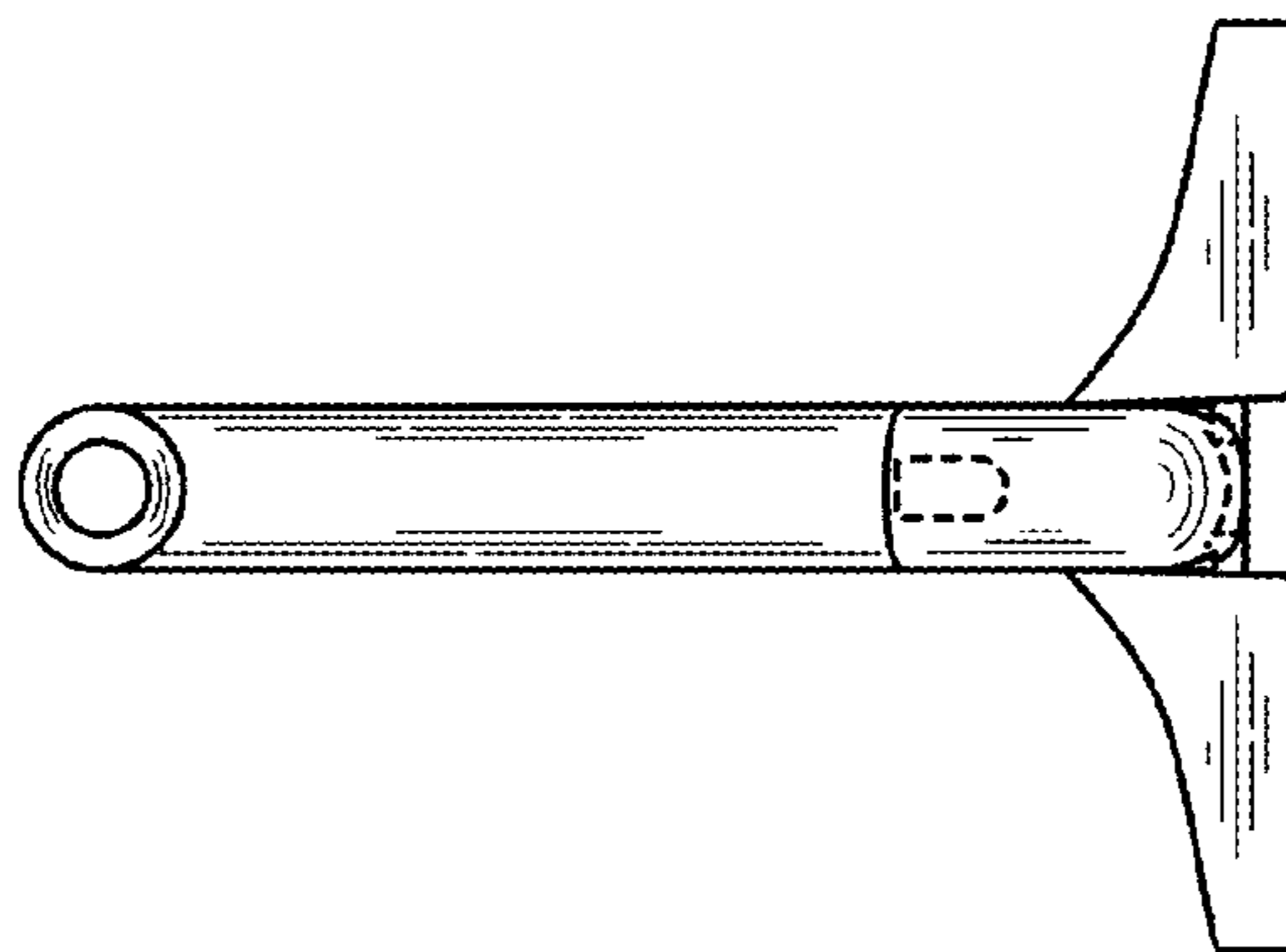


FIG. 13

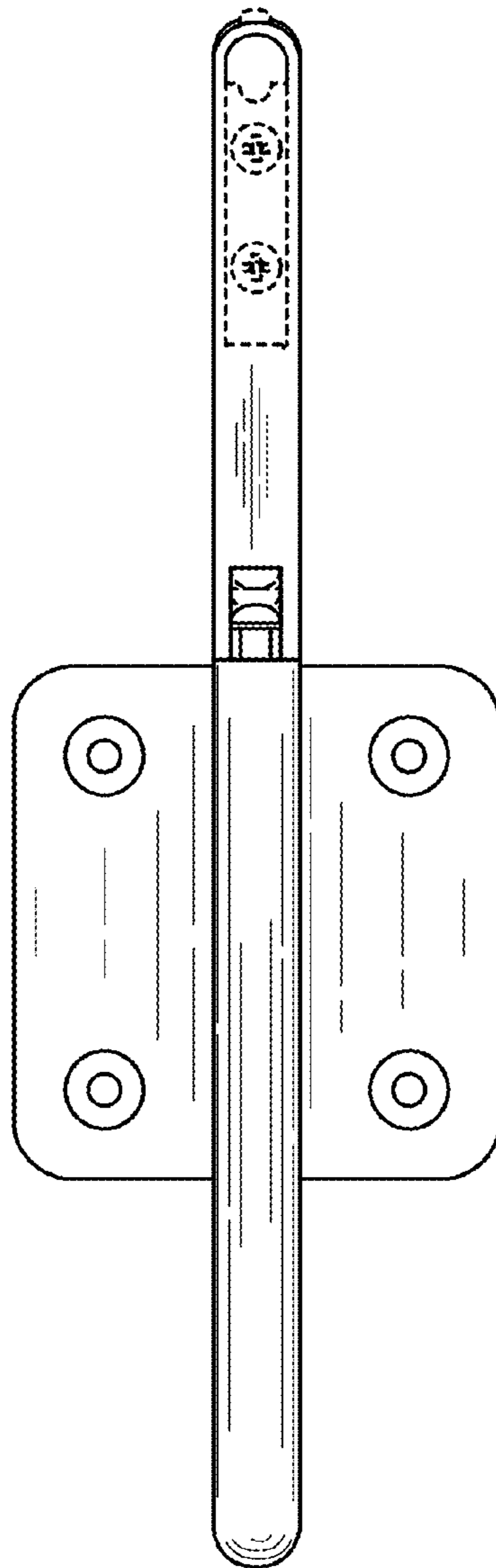


FIG. 14

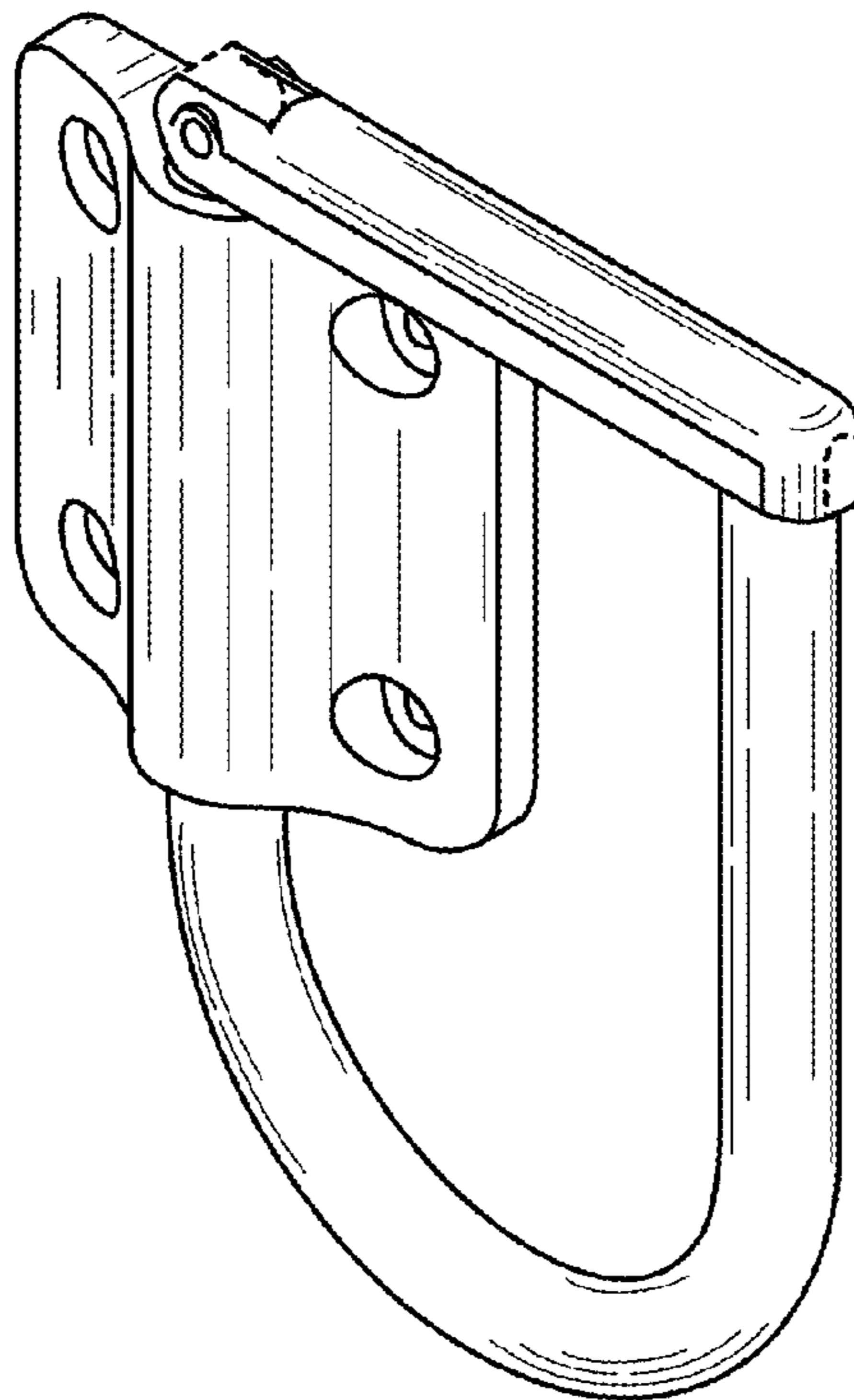


FIG. 15

