

US00D758172S

(12) **United States Design Patent**
Hung

(10) **Patent No.:** **US D758,172 S**
(45) **Date of Patent:** **** Jun. 7, 2016**

- (54) **INSULATING SAFETY HOOK**
- (71) Applicant: **YOKE INDUSTRIAL CORP.,**
Taichung (TW)
- (72) Inventor: **Wei-Chieh Hung,** Taichung (TW)
- (73) Assignee: **YOKE INDUSTRIAL CORP.,**
Taichung (TW)
- (**) Term: **14 Years**
- (21) Appl. No.: **29/514,341**
- (22) Filed: **Jan. 12, 2015**
- (51) **LOC (10) Cl.** **08-05**
- (52) **U.S. Cl.**
USPC **D8/367**
- (58) **Field of Classification Search**
USPC D8/367, 354, 349, 389; 248/301, 302,
248/303, 304, 339; 24/132 R; D6/325
CPC A47G 1/00; F16B 2/00; A63B 27/00
See application file for complete search history.

D455,642 S *	4/2002	Kelleghan	D8/367
D485,431 S *	1/2004	Hsu	D3/210
D520,345 S *	5/2006	Kelleghan	D8/356
D521,362 S *	5/2006	Kelleghan	D8/356
D573,875 S *	7/2008	Anderson	D8/367
D699,098 S *	2/2014	Fretz	D8/367
D730,159 S *	5/2015	Grimm	D8/356
D730,722 S *	6/2015	Grimm	D8/356
D735,559 S *	8/2015	Liang	D8/356
D736,070 S *	8/2015	Kaneko	D8/367
D740,646 S *	10/2015	Sargent	D8/367
D743,778 S *	11/2015	Huang	D8/367
D749,938 S *	2/2016	Norpoth	D8/367

* cited by examiner

Primary Examiner — Cynthia Underwood

(74) *Attorney, Agent, or Firm* — Ming Chow; Sinorica, LLC

(57) **CLAIM**

The ornamental design for an insulating safety hook, as shown and described.

DESCRIPTION

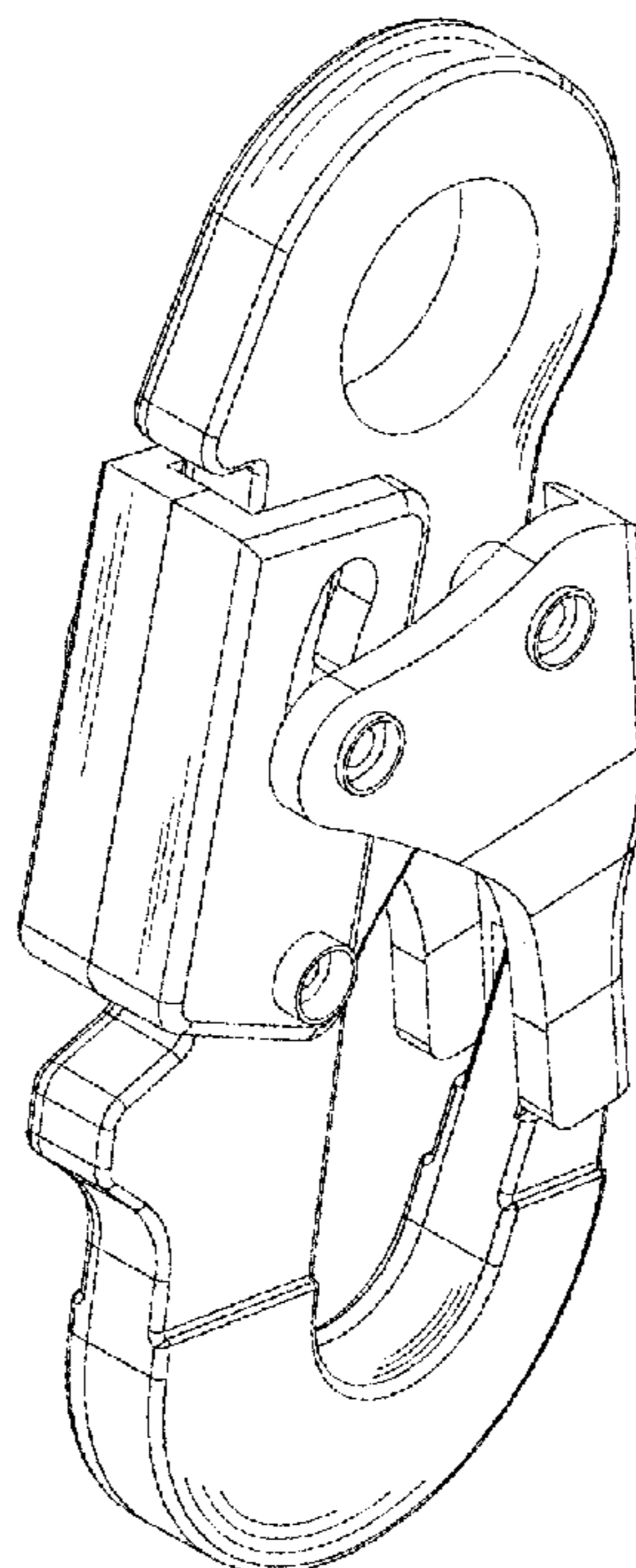
- FIG. 1 is a perspective view of the latch hook.
- FIG. 2 is a front view of the latch hook.
- FIG. 3 is a rear view of the latch hook.
- FIG. 4 is a top view of the latch hook.
- FIG. 5 is a bottom view of the latch hook.
- FIG. 6 is a left side view of the latch hook; and,
- FIG. 7 is a right side view of the latch hook.

1 Claim, 6 Drawing Sheets

(56) **References Cited**

U.S. PATENT DOCUMENTS

D271,465 S *	11/1983	Boissonnet	D8/367
D272,717 S *	2/1984	Faidide	D8/367
5,257,441 A *	11/1993	Barlow	F16B 45/02 24/599.5
5,538,303 A *	7/1996	Dunham	B63B 21/54 24/599.1



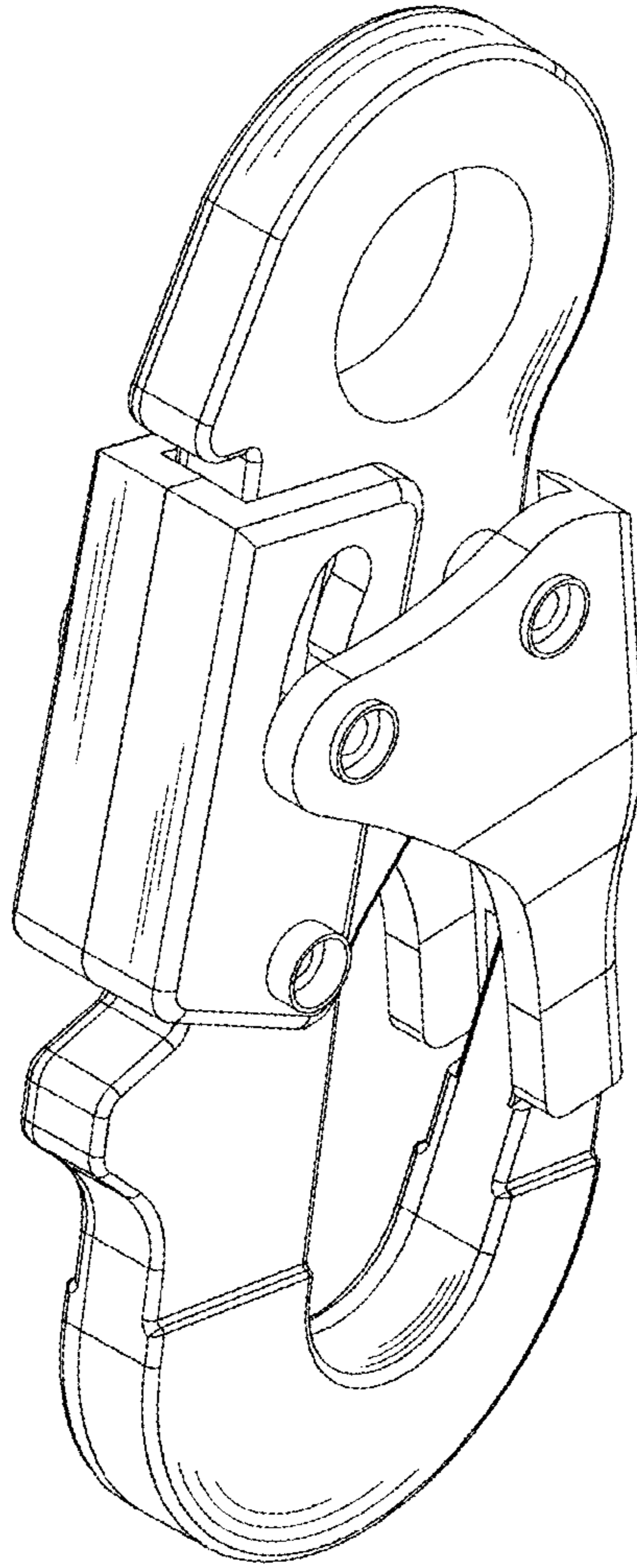


FIG. 1

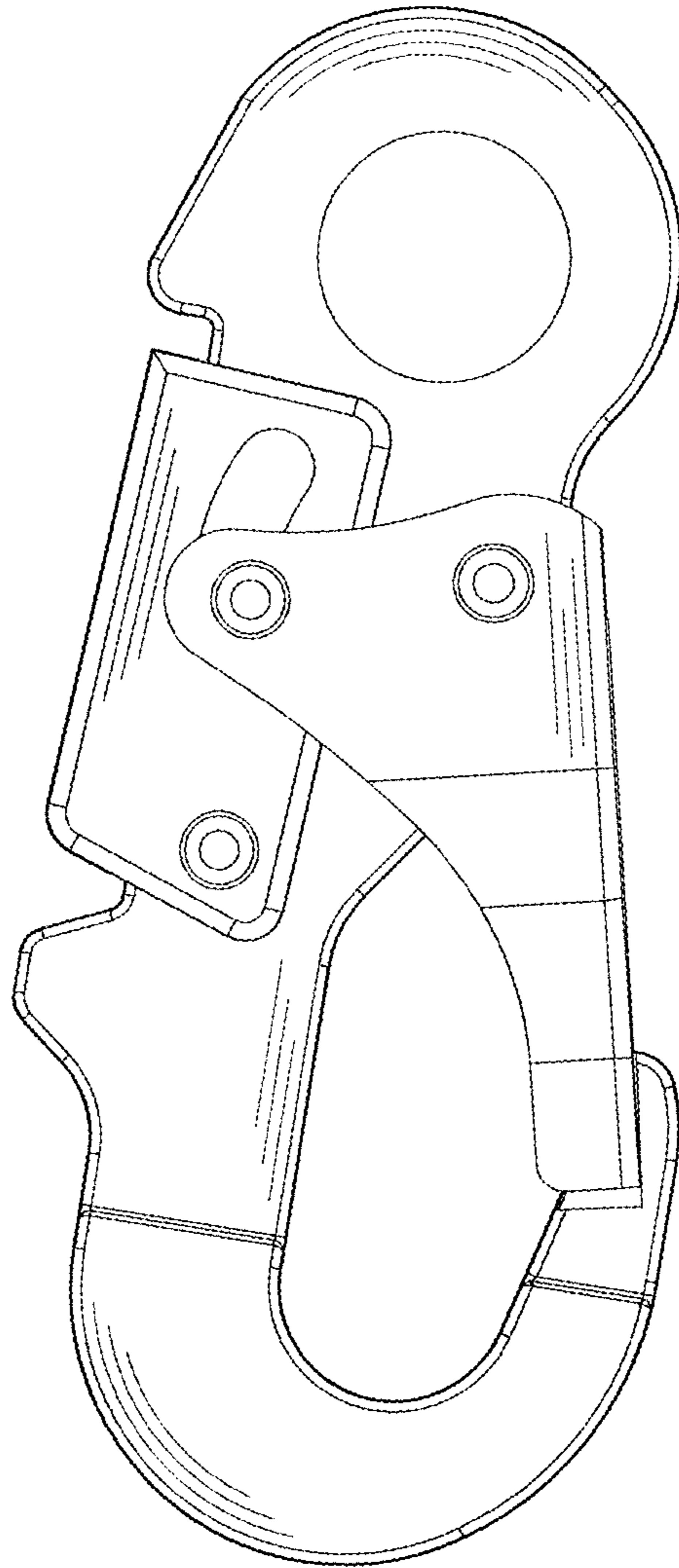


FIG. 2

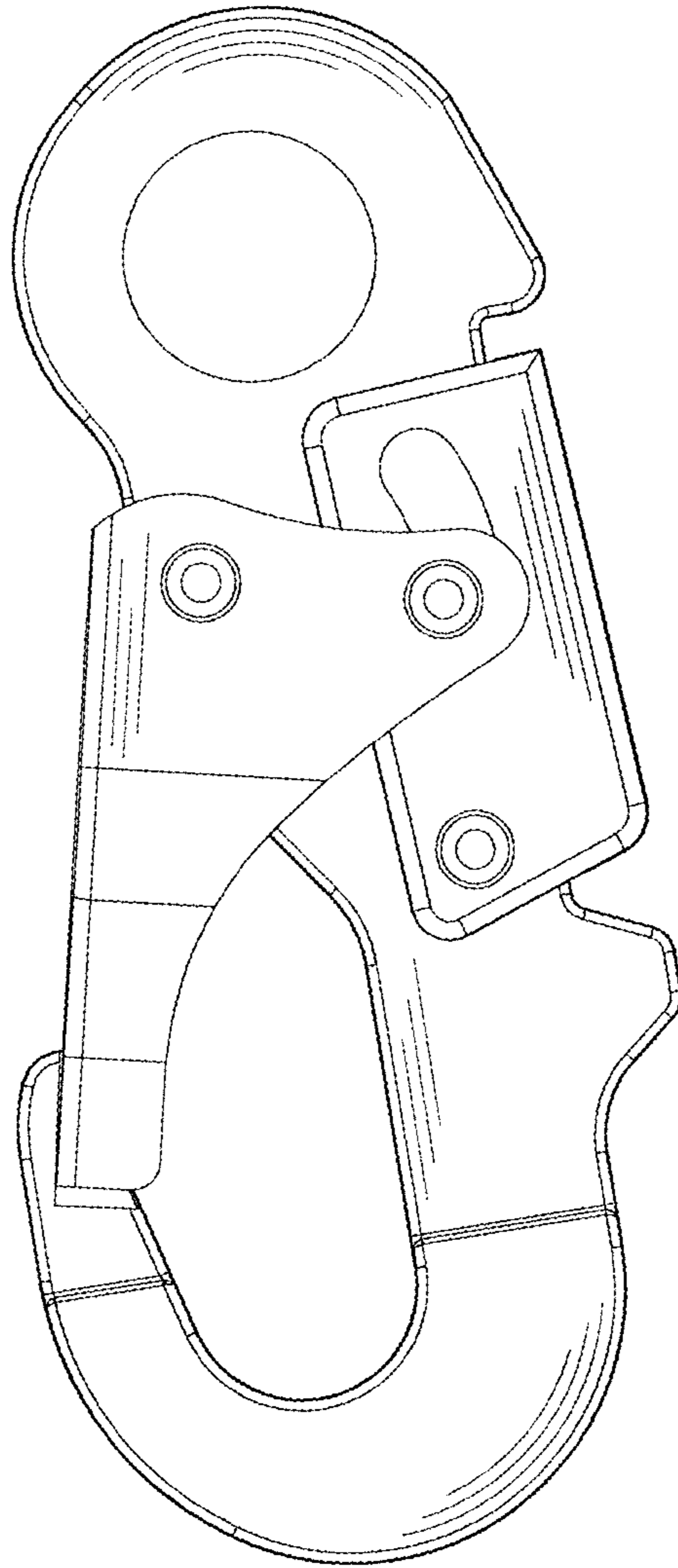


FIG. 3

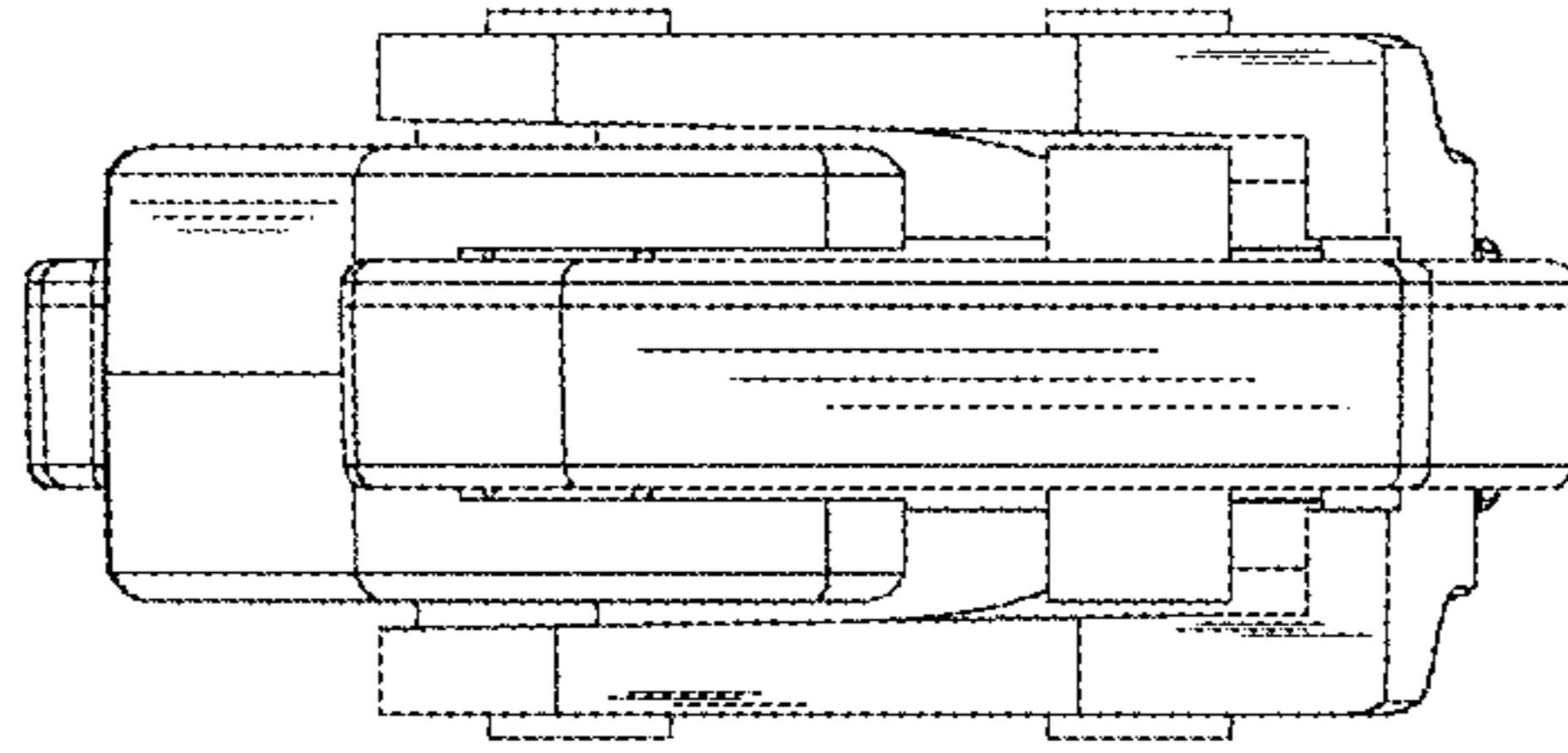


FIG. 4

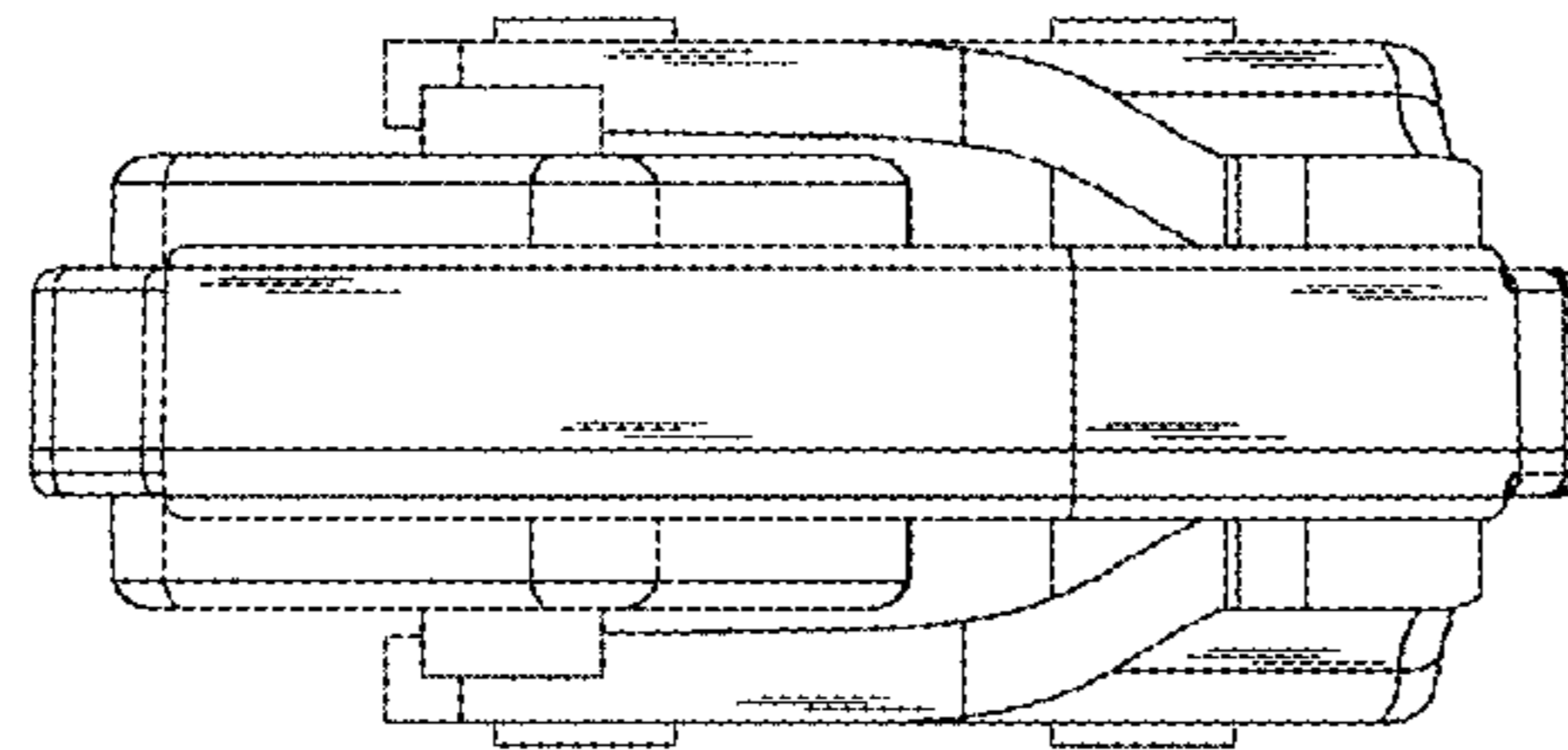


FIG. 5

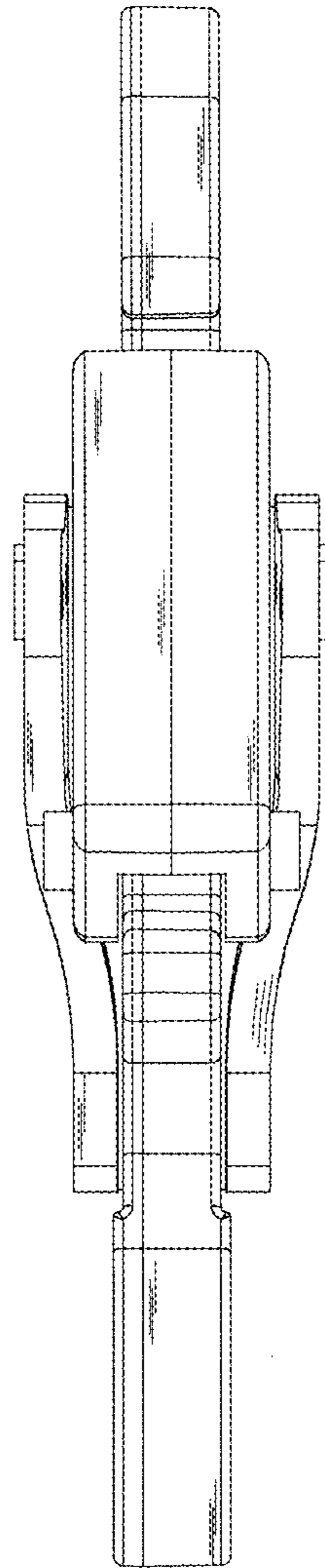


FIG. 6

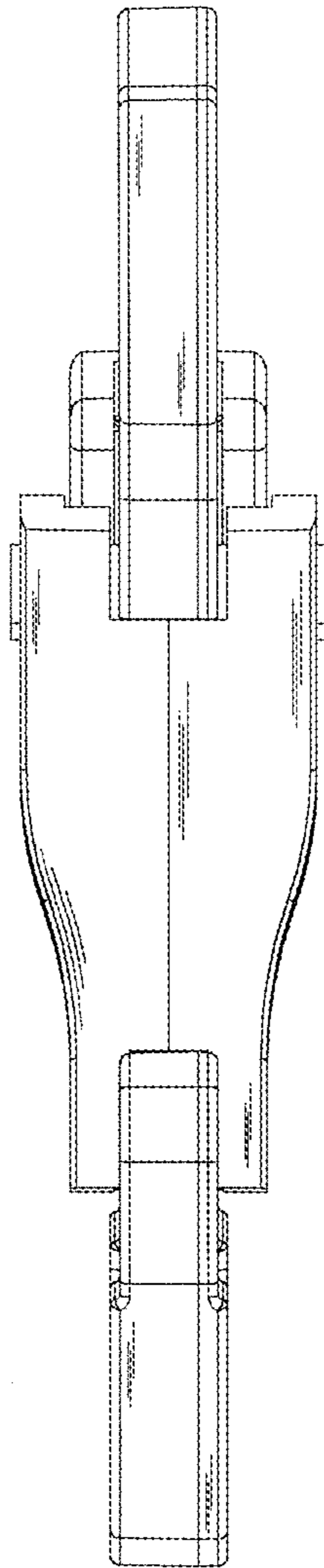


FIG. 7