

US00D758171S

(12) **United States Design Patent**
Kim et al.

(10) **Patent No.:** **US D758,171 S**
(45) **Date of Patent:** **** Jun. 7, 2016**

(54) **BRACKET FOR FIXING COMMUNICATION EQUIPMENT**

(71) Applicant: **Samsung Electronics Co., Ltd.**,
Suwon-si (KR)
(72) Inventors: **Kyu-Cheol Kim**, Seoul (KR); **Gi-Chun Nam**, Suwon-si (KR); **Eun-Uae Lee**, Seoul (KR); **Joon-Taek Lee**, Yongin-si (KR); **Tai-Hyung Ju**, Seoul (KR); **Dong-Ju Choi**, Suwon-si (KR)

(73) Assignee: **SAMSUNG ELECTRONICS CO., LTD.** (KR)

(**) Term: **14 Years**

(21) Appl. No.: **29/516,527**

(22) Filed: **Feb. 3, 2015**

(30) **Foreign Application Priority Data**
Aug. 11, 2014 (KR) 30-2014-0039004
(51) **LOC (10) Cl.** **08-05**
(52) **U.S. Cl.**
USPC **D8/356**
(58) **Field of Classification Search**
USPC D8/356, 354, 349
CPC H01R 13/518; A61B 6/0421
See application file for complete search history.

(56) **References Cited**

U.S. PATENT DOCUMENTS

D342,662 S *	12/1993	Lavin, Sr.	D8/354
D422,887 S *	4/2000	Potter	D8/356
D423,330 S *	4/2000	Potter	D8/356
D587,100 S *	2/2009	Allsopp	D8/356
D595,122 S *	6/2009	Clarke	D8/368
D729,042 S *	5/2015	Guzzoni	D8/349
D743,541 S *	11/2015	Serafini	D24/128

* cited by examiner

Primary Examiner — Cynthia Underwood

(74) *Attorney, Agent, or Firm* — Cantor Colburn LLP

(57) **CLAIM**

The ornamental design for a bracket for fixing communication equipment, as shown and described.

DESCRIPTION

FIG. 1 is a perspective view of a bracket for fixing communication equipment, showing our new design; FIG. 2 is a front view thereof; FIG. 3 is a rear view thereof; FIG. 4 is a side view thereof; FIG. 5 is another side view thereof; FIG. 6 is a top view thereof; FIG. 7 is a bottom view thereof; and, FIG. 8 is another perspective view thereof shown reduced in scale and in an environment of use. The broken lines are for environmental purpose only and form no part of the claimed design.

1 Claim, 8 Drawing Sheets

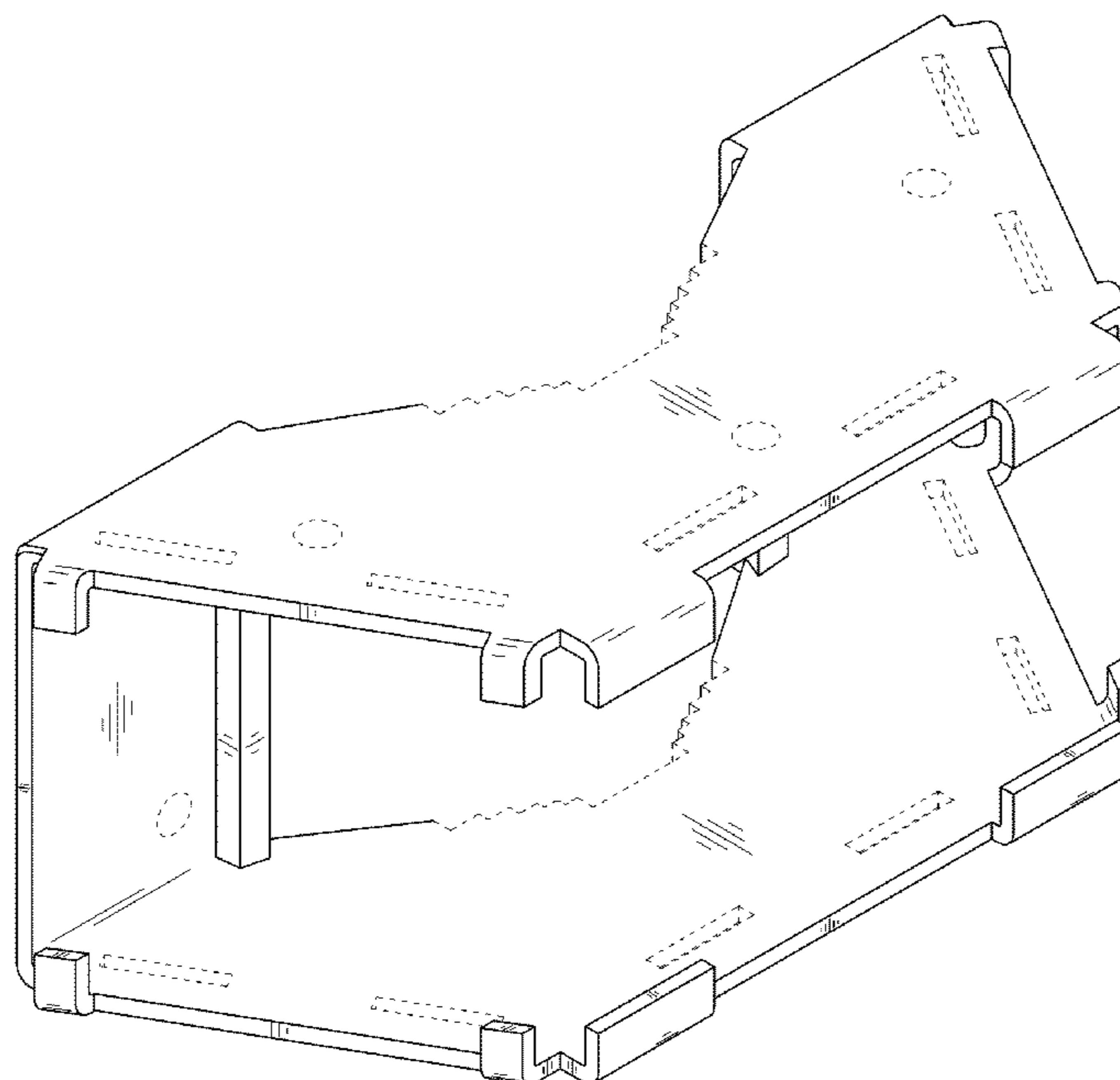


FIG. 1

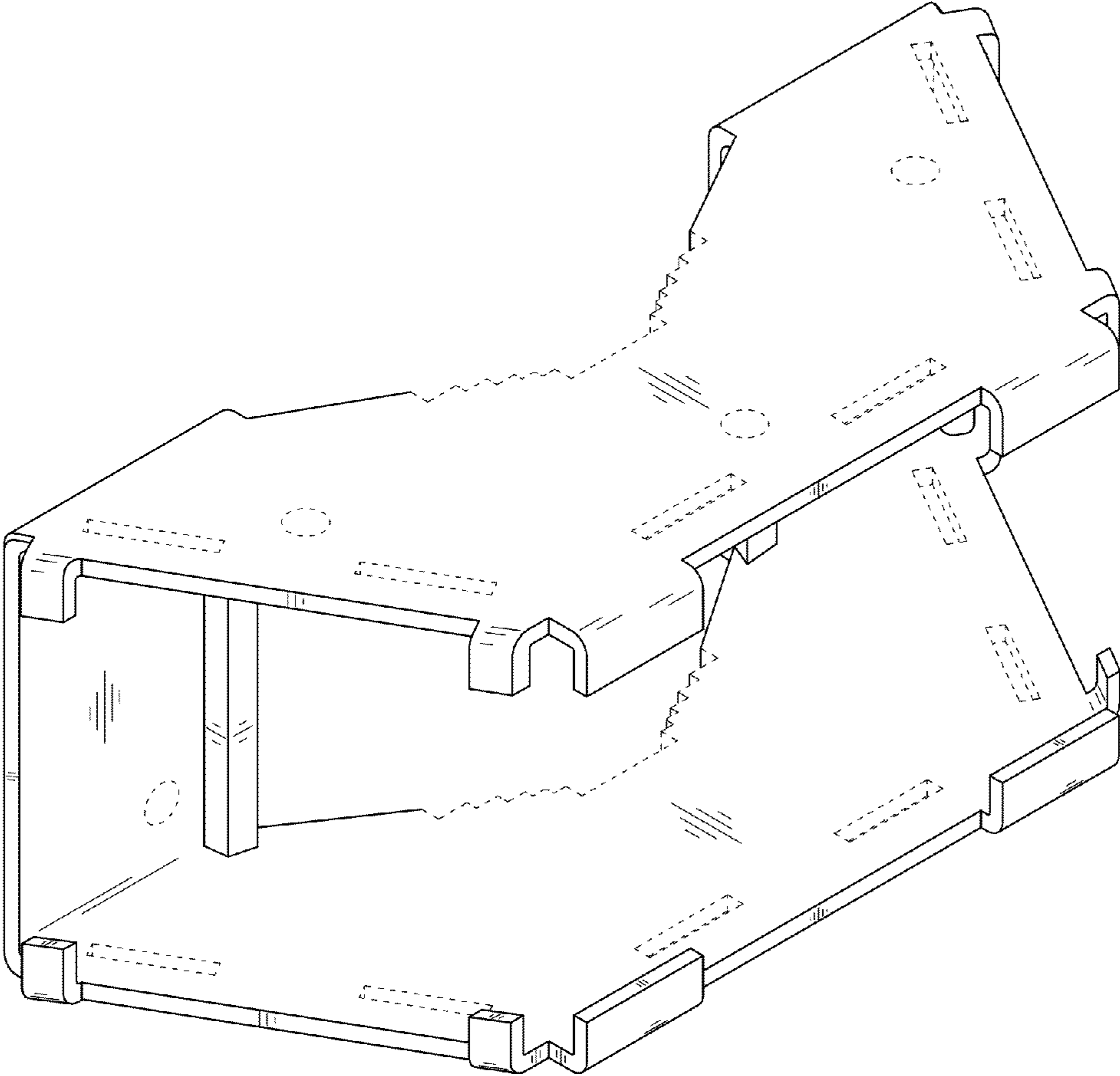


FIG.2

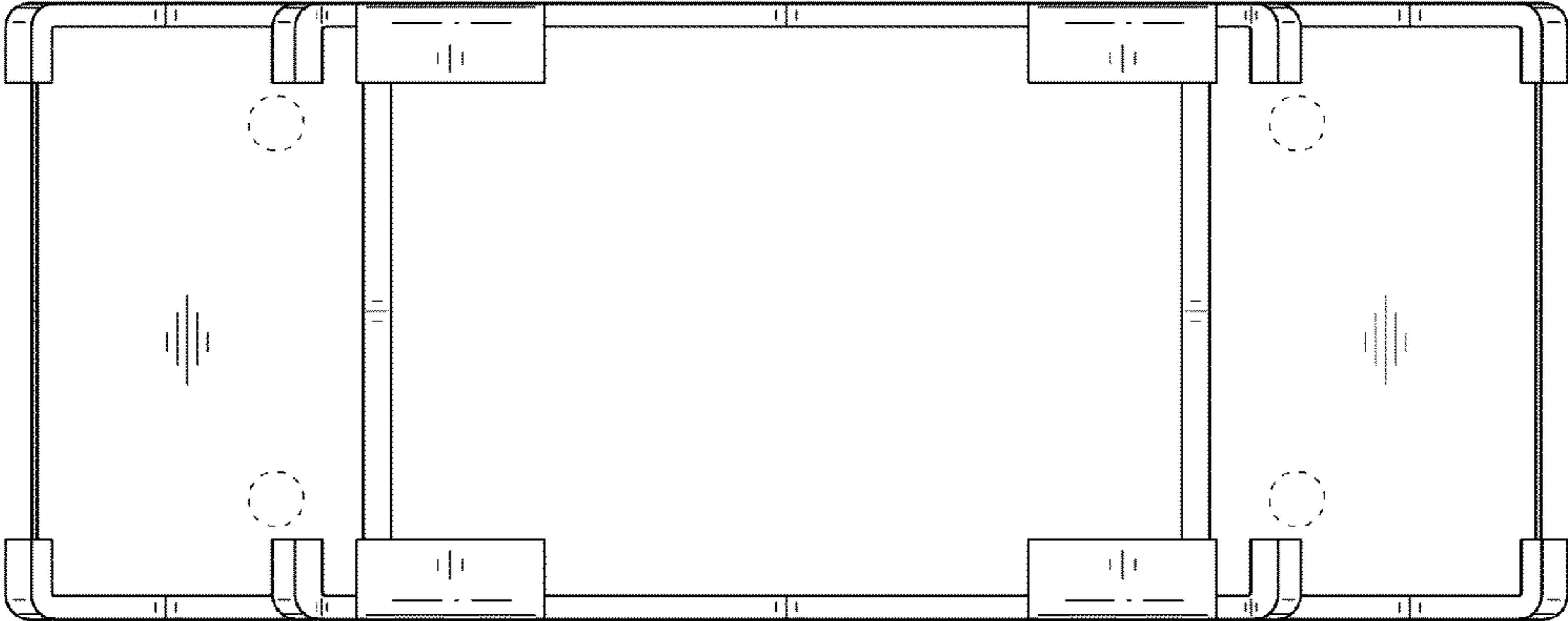


FIG. 3

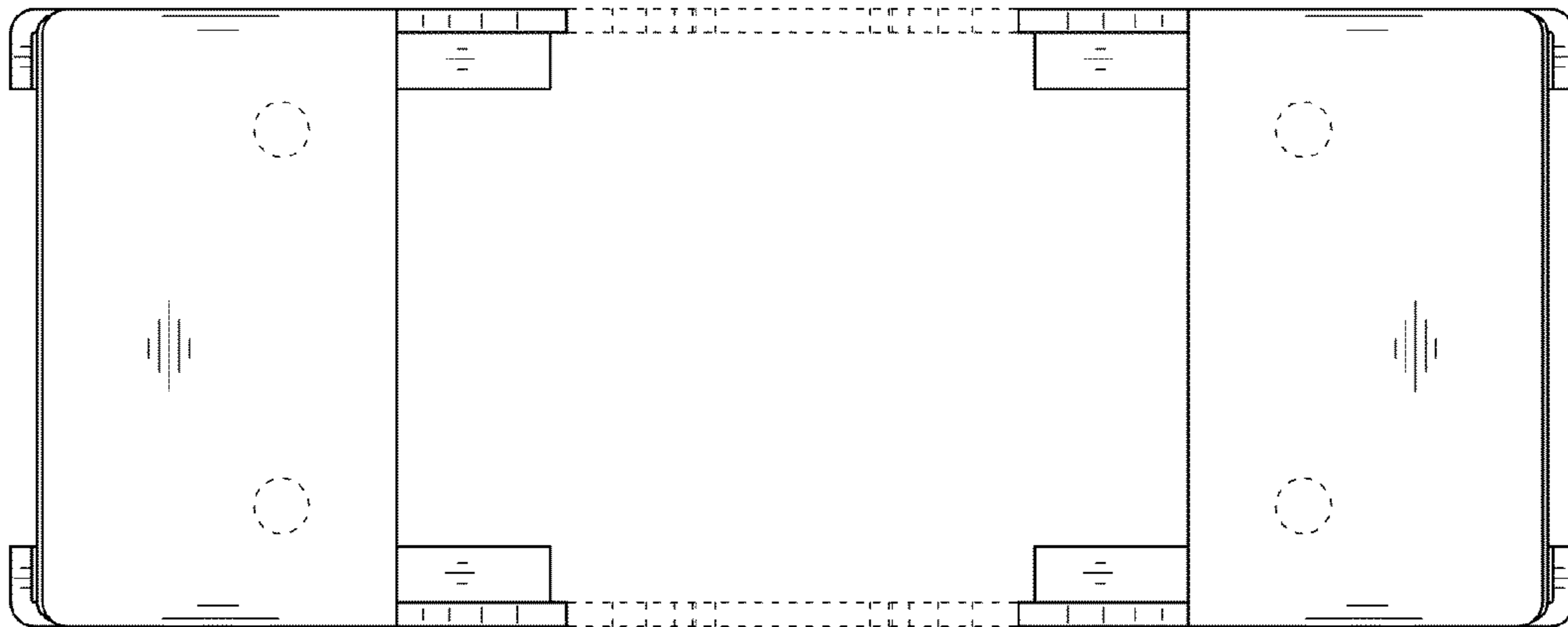


FIG. 4

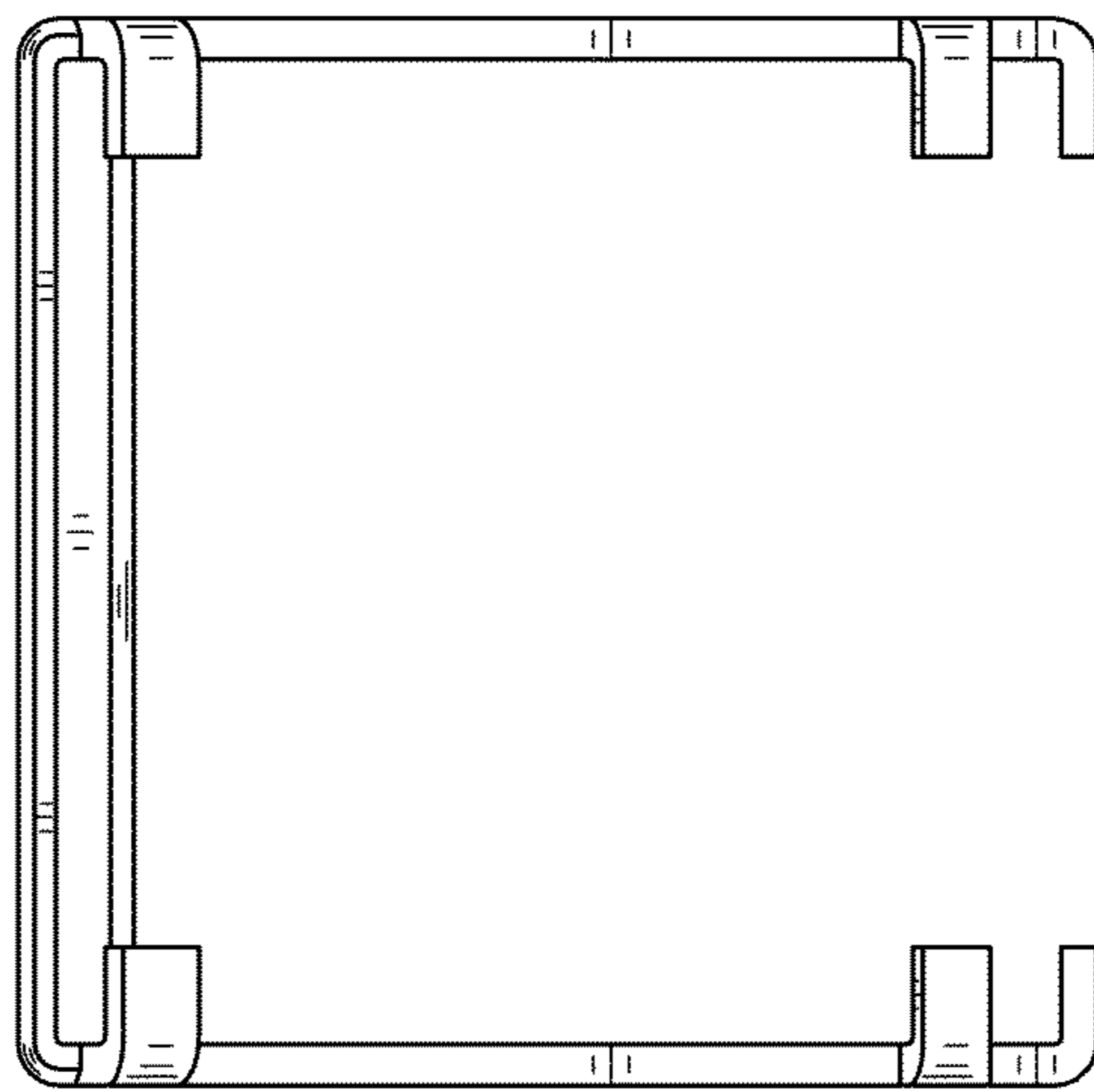


FIG. 5

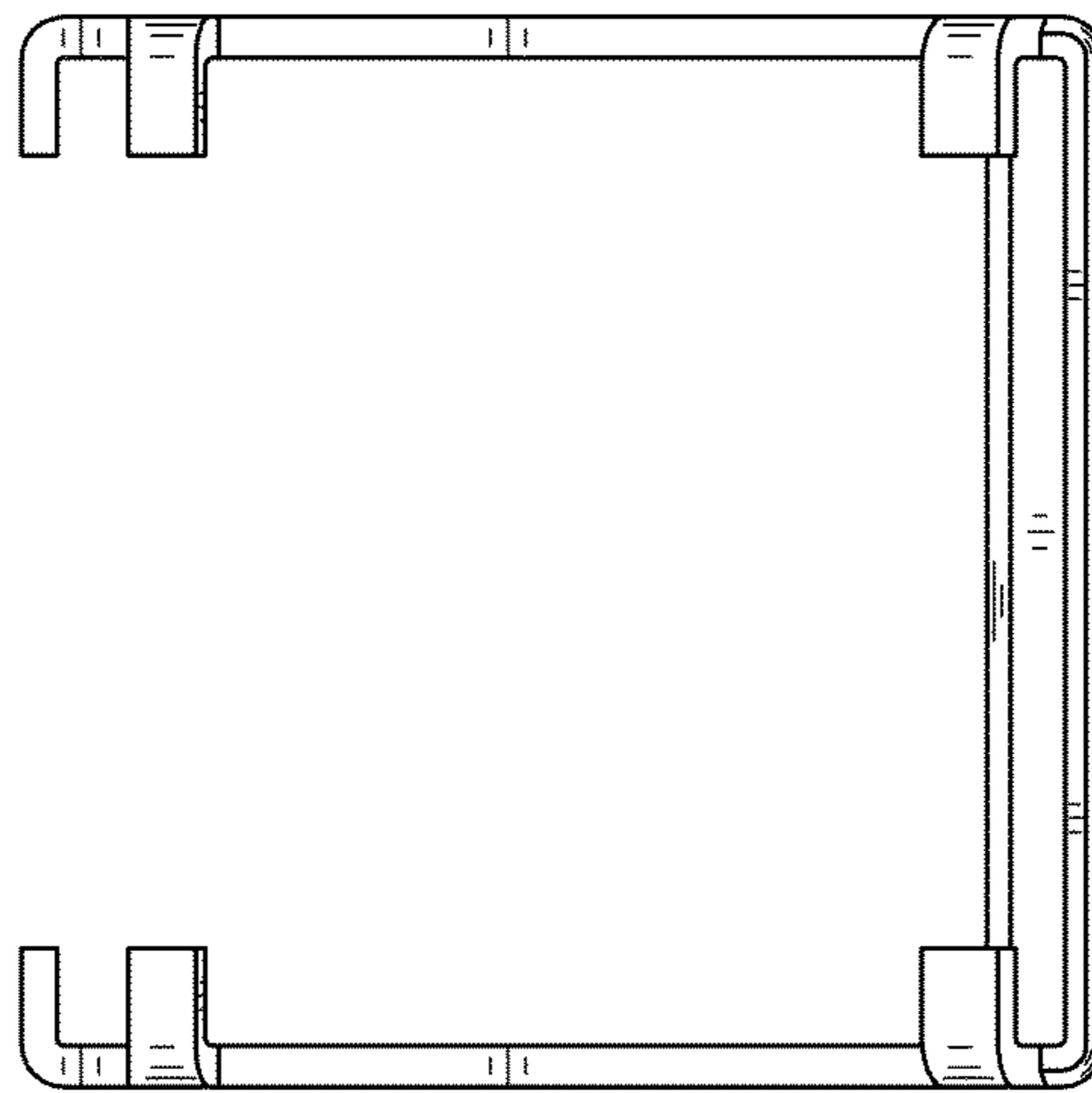


FIG. 6

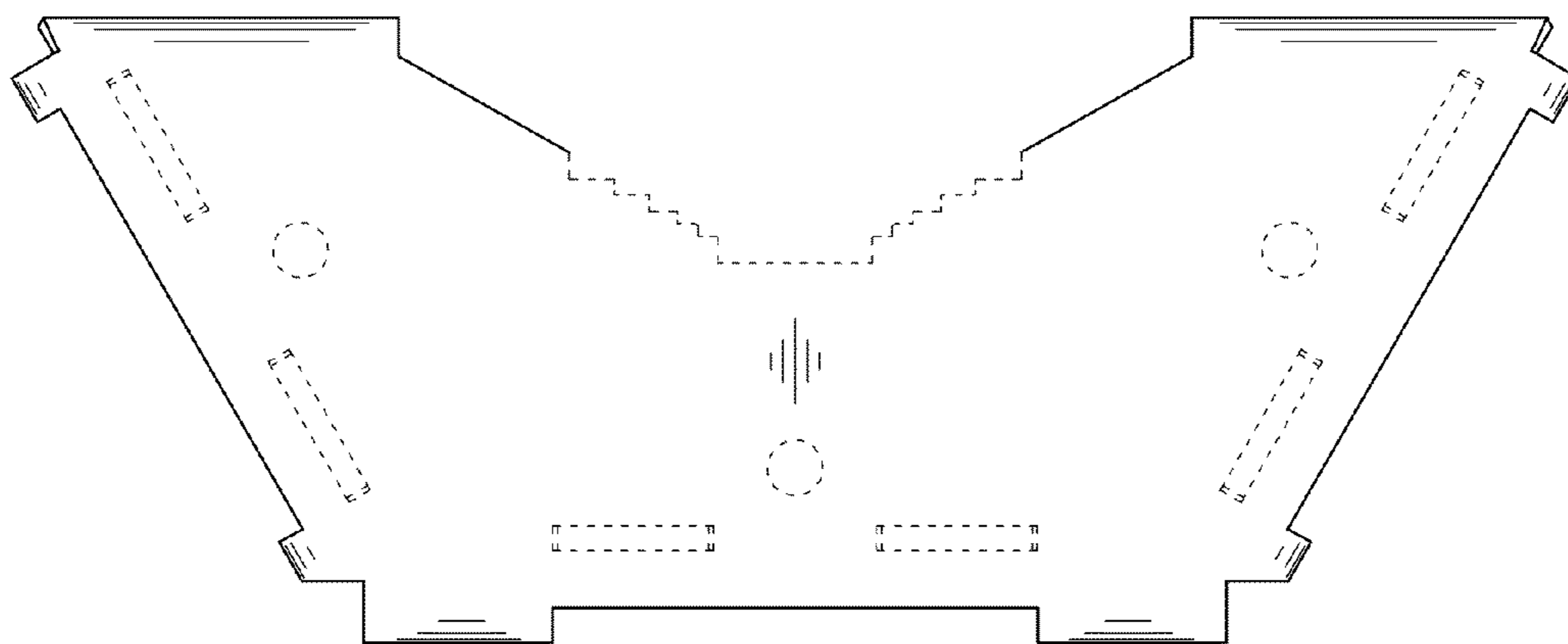


FIG. 7

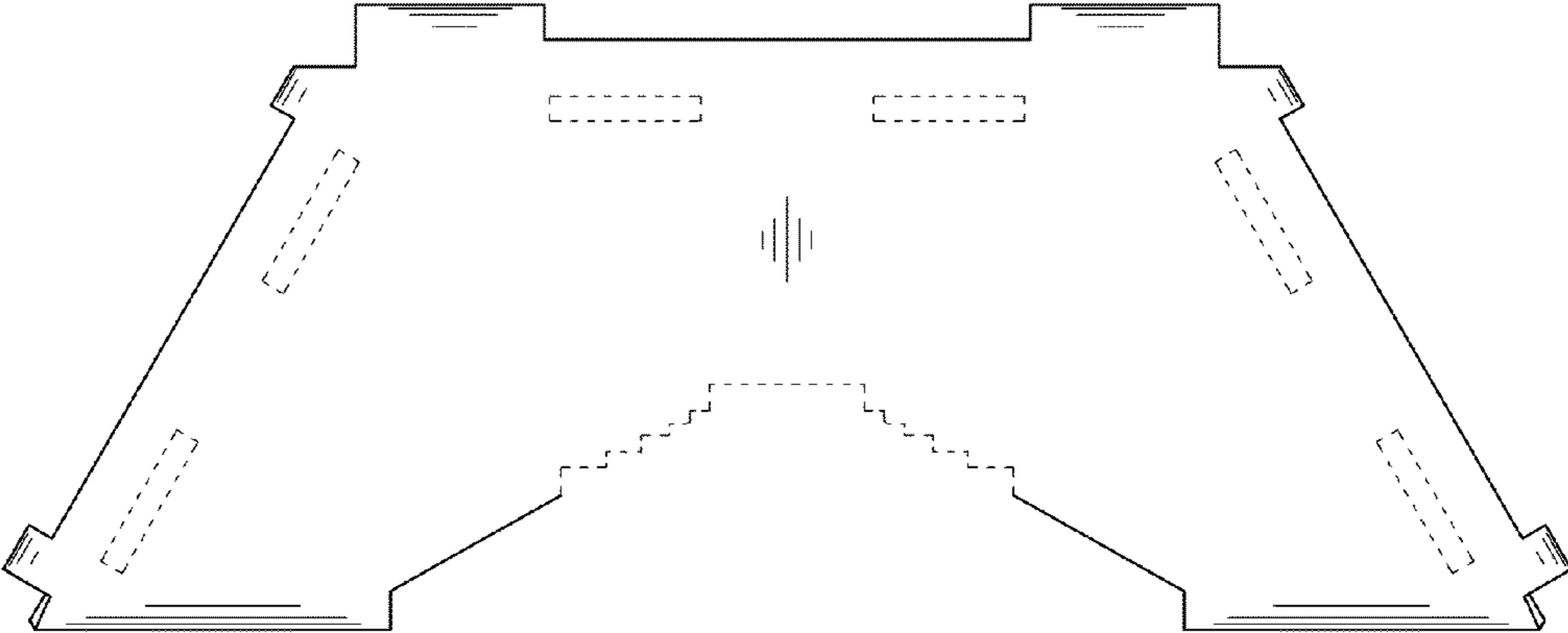


FIG. 8

