



US00D758169S

(12) **United States Design Patent**
Deleu

(10) **Patent No.:** **US D758,169 S**
(45) **Date of Patent:** **** Jun. 7, 2016**

(54) **FRAME CONNECTOR**
(71) Applicant: **ALUVISION, N.V.**, Deinze (BE)
(72) Inventor: **Dirk Deleu**, Deinze (BE)
(73) Assignee: **Aluvision, N.V.**, Deinze (BE)
(**) Term: **15 Years**
(21) Appl. No.: **29/526,718**
(22) Filed: **May 13, 2015**
(30) **Foreign Application Priority Data**

Feb. 25, 2015 (WO) 875292801

(51) **LOC (10) Cl.** **08-08**
(52) **U.S. Cl.**
USPC **D8/349**
(58) **Field of Classification Search**
USPC D8/349, 354, 366, 371, 374, 382, 384,
D8/387, 394, 397, 399; D25/61; 403/185,
403/169, 170, 231, 402
CPC . E04B 1/2604; E04B 2001/2644; F16B 7/18;
F16B 37/145; Y10T 403/4602; Y10T
403/4674; Y10T 403/3906
See application file for complete search history.

(56) **References Cited**

U.S. PATENT DOCUMENTS

2,174,180 A * 9/1939 Rand A47G 3/12
217/65
4,012,153 A * 3/1977 Pidgeon F16B 7/185
403/170
4,126,364 A * 11/1978 Reilly F16B 12/50
312/140
D255,647 S * 7/1980 Ismert, III D8/387
D292,990 S * 12/1987 Eliasson D19/32
D294,676 S * 3/1988 Egner D8/382
4,780,018 A * 10/1988 Godden E04B 1/1906
403/173
D304,293 S * 10/1989 McCarthy D8/349
4,974,352 A * 12/1990 Shwu-Jen A47G 1/10
40/783

D349,036 S * 7/1994 Egigian D12/223
D356,729 S * 3/1995 Kassouni D8/387
5,407,310 A * 4/1995 Kassouni B29C 70/76
29/525.02
D359,442 S * 6/1995 Johansson D6/300
D359,444 S * 6/1995 Johansson D6/300
D361,136 S * 8/1995 Parkinson D25/61
D382,920 S * 8/1997 Munir D21/486
6,027,372 A * 2/2000 Lai H01R 12/7047
411/182
7,213,328 B2 * 5/2007 Maruyama H01R 43/0256
29/760
D545,304 S * 6/2007 Sergi D14/238
D566,526 S * 4/2008 Robbins, III D8/354
D609,999 S * 2/2010 Andersson D8/399
D631,336 S * 1/2011 Toumei D8/397
D670,996 S * 11/2012 Rogers D8/349
8,475,499 B2 * 7/2013 Cournoyer A61B 17/7014
606/260

(Continued)

Primary Examiner — Mark Goodwin

(74) *Attorney, Agent, or Firm* — Kirschstein, Israel,
Schiffmiller & Pieroni, P.C.

(57) **CLAIM**

The ornamental design for a frame connector, as shown and described.

DESCRIPTION

FIG. 1 is a perspective view of a frame connector, as seen from above, according to my new design.

FIG. 2 is a top plan view thereof.

FIG. 3 is a front elevational view thereof, the rear elevational view being a mirror image.

FIG. 4 is a right side elevational view thereof, the left side elevational view being a mirror image.

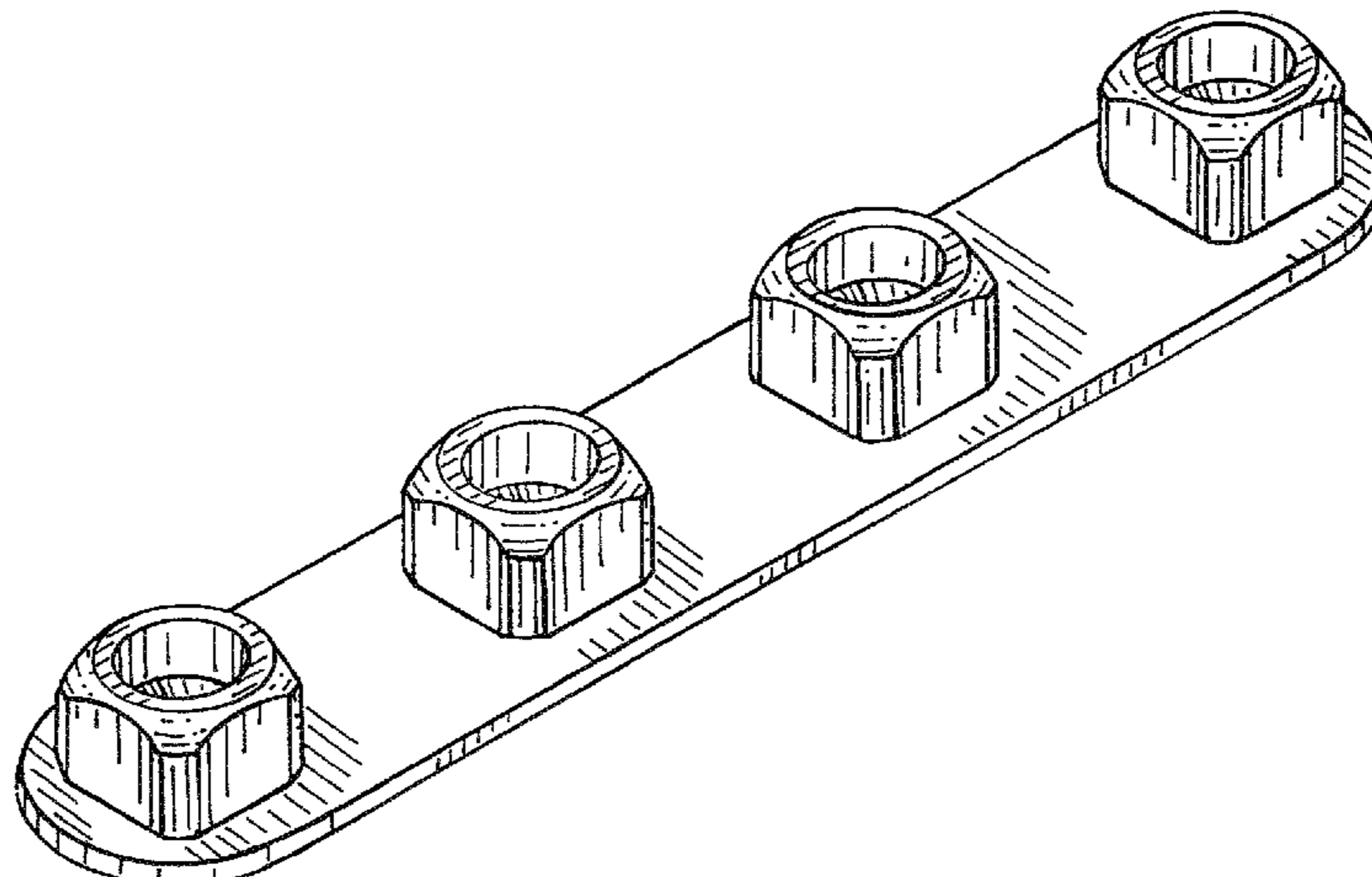
FIG. 5 is a bottom plan view thereof.

FIG. 6 is a perspective view thereof, as seen from below, in its use of connecting frames as shown in dashed lines; and,

FIG. 7 is a sectional view taken on line 7-7 of FIG. 3, as seen in the direction of the arrows.

The dashed lines are for environmental purposes and form no part of the claimed design.

1 Claim, 3 Drawing Sheets



(56)

References Cited

U.S. PATENT DOCUMENTS

8,707,653	B2 *	4/2014	Calleja	E04B 1/24 29/525.11	2013/0028658	A1 *	1/2013	Yee	F16B 7/0433 403/270
8,961,060	B2 *	2/2015	Oetlinger	F16B 7/18 403/231	2014/0020328	A1 *	1/2014	Yee	F16B 7/0433 52/745.21
D729,042	S *	5/2015	Guzzoni	D8/349	2014/0239679	A1 *	8/2014	Griggs, Jr.	A47C 1/02 297/183.1
D730,156	S *	5/2015	Johnson	D8/349	2014/0245674	A1 *	9/2014	Harrison	E04B 1/26 52/204.2
D740,113	S *	10/2015	Olenick	D8/399	2014/0250822	A1 *	9/2014	Oetlinger	F16B 7/18 52/656.9
2006/0189214	A1 *	8/2006	Maruyama	H01R 43/0256 439/676	2015/0211560	A1 *	7/2015	Rixen	F16B 7/187 403/188
2009/0190996	A1 *	7/2009	Clarke	E04B 1/2604 403/188					

* cited by examiner

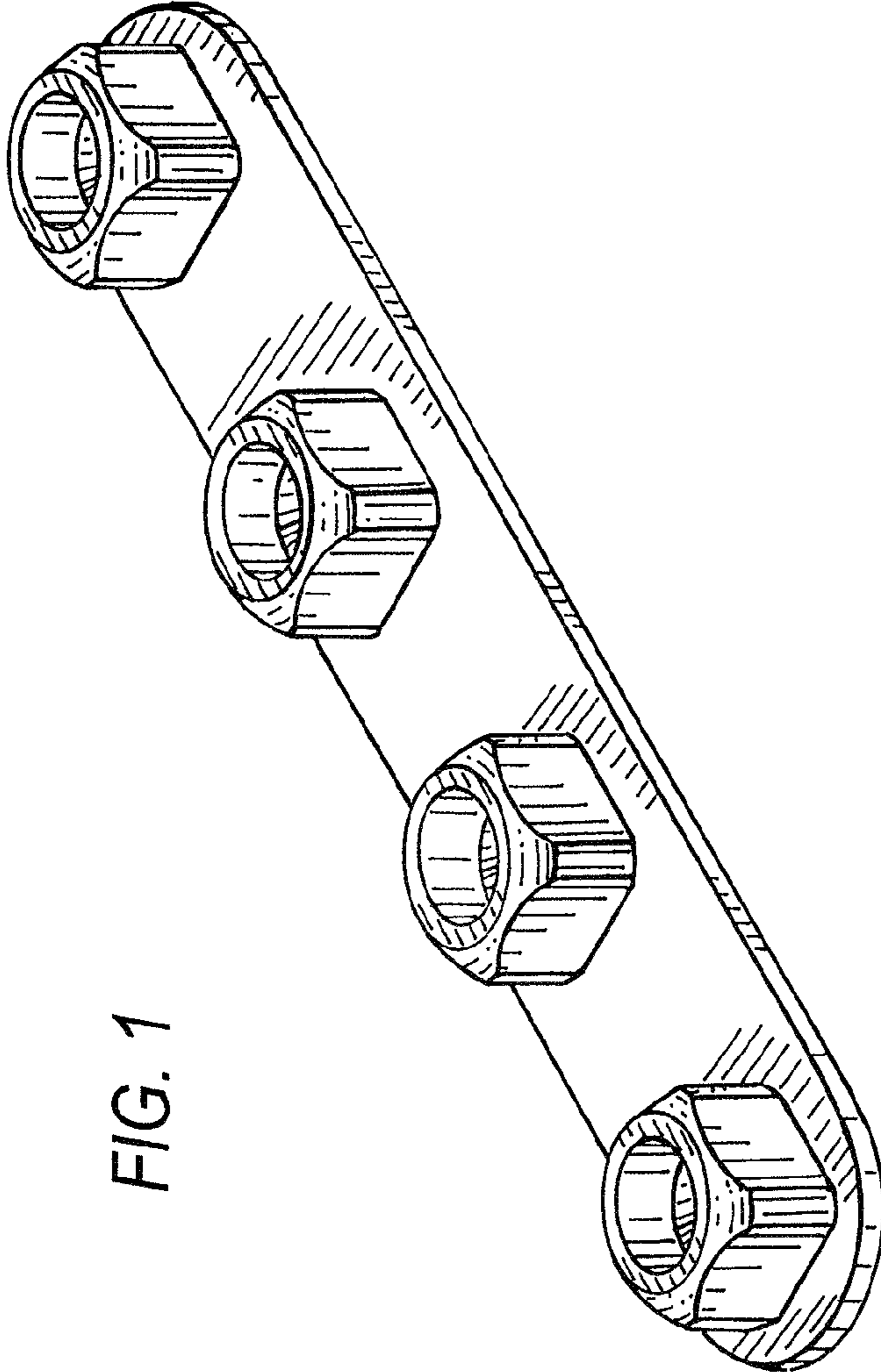


FIG. 1

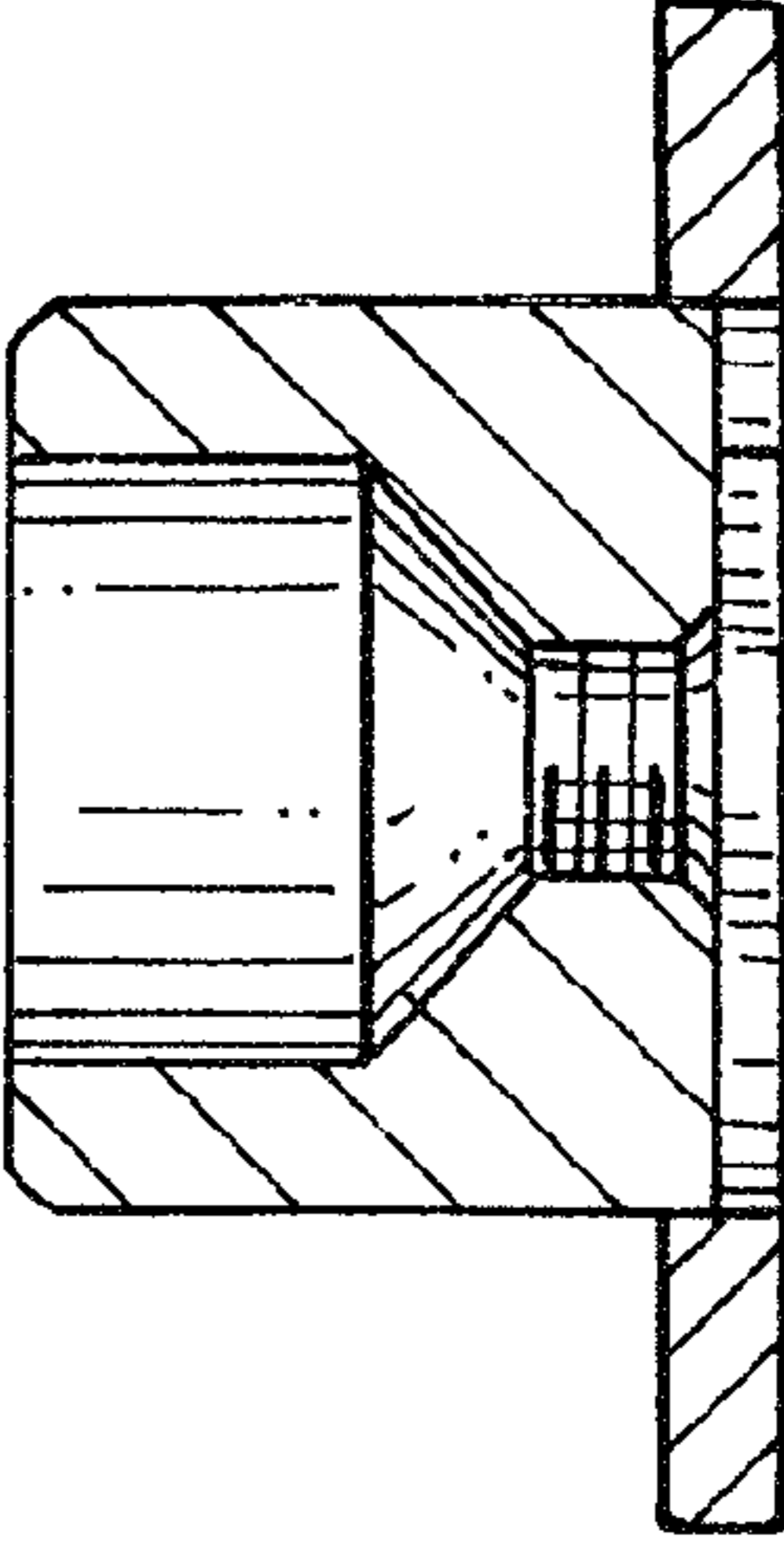


FIG. 7

FIG. 2

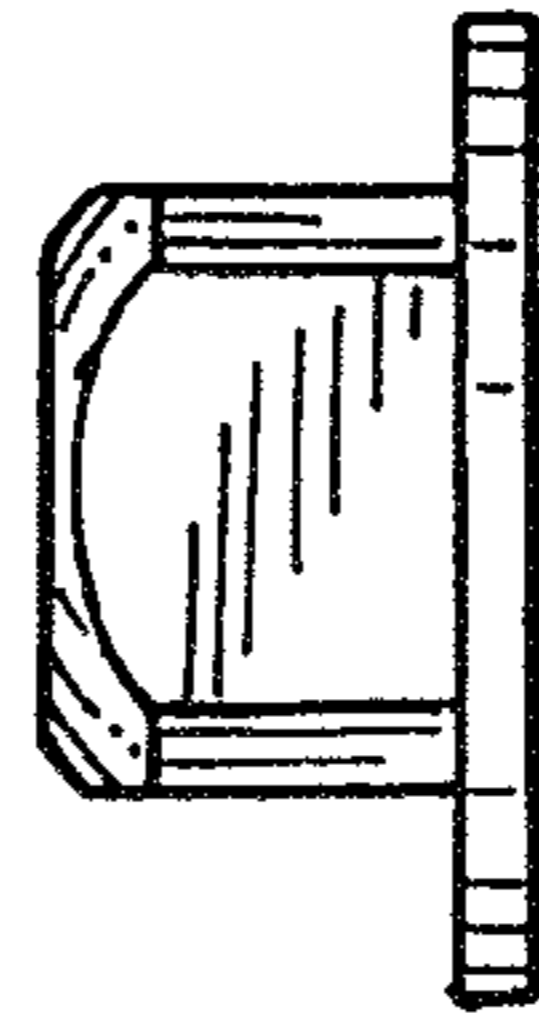
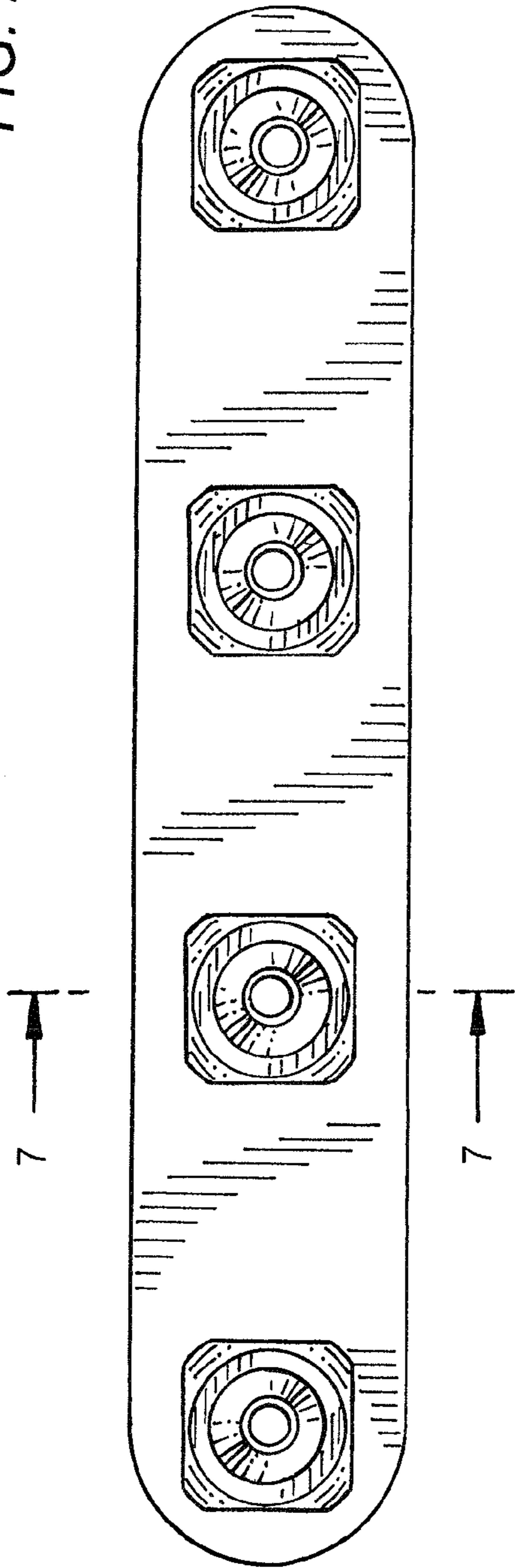


FIG. 3



FIG. 4

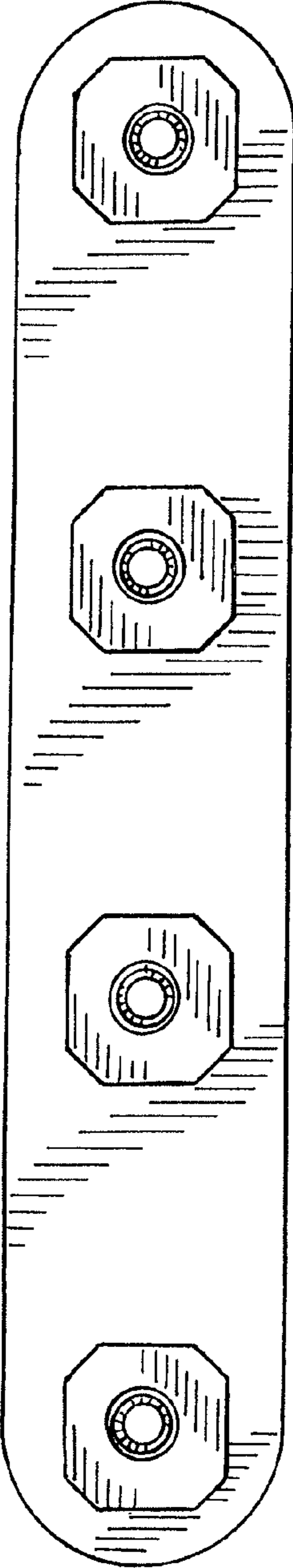


FIG. 5

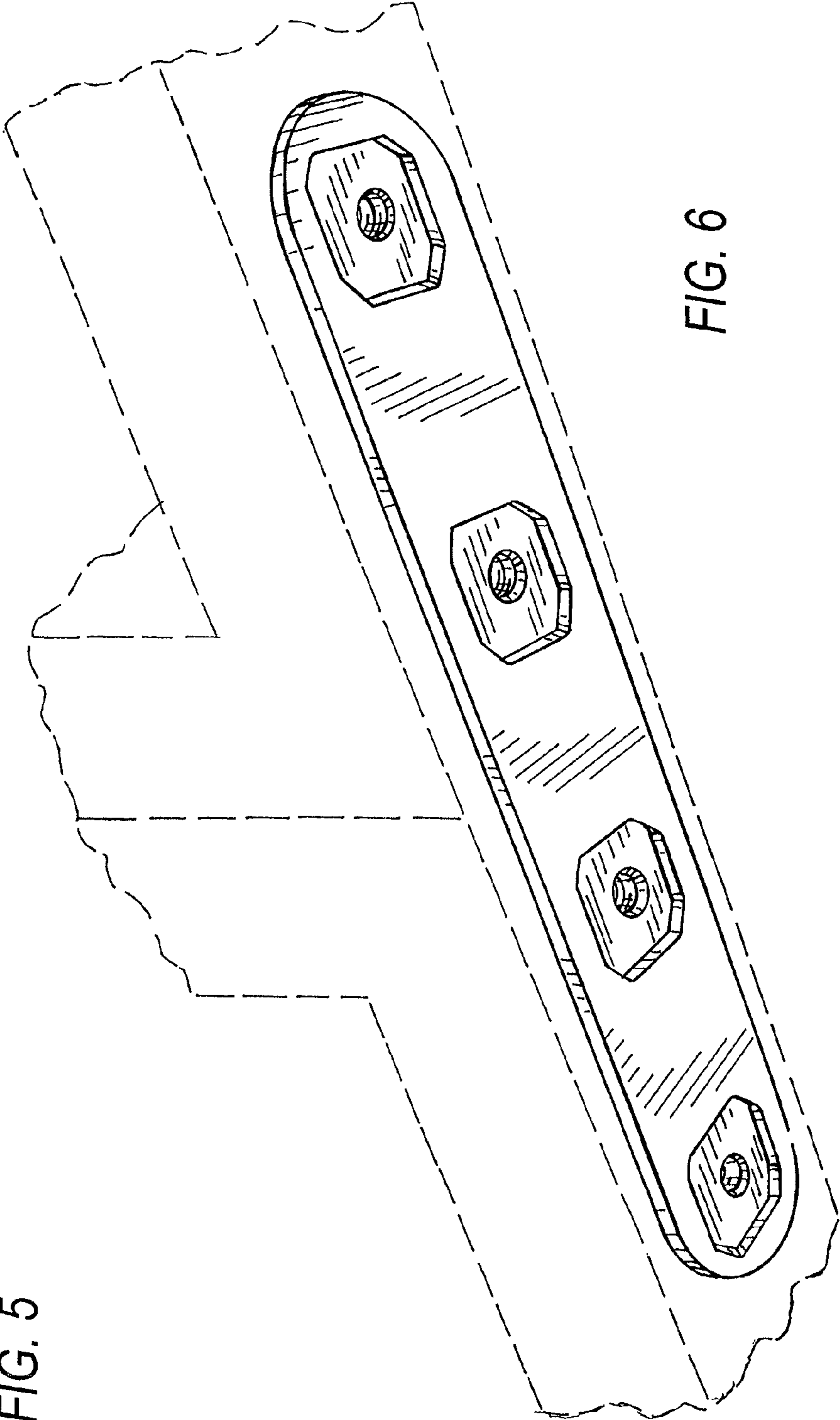


FIG. 6