



US00D758164S

(12) **United States Design Patent**
Lu

(10) **Patent No.:** **US D758,164 S**
(45) **Date of Patent:** **** Jun. 7, 2016**

- (54) **HINGE**
- (71) Applicant: **Dongguan Weihong Hardware and Plastic Products Co., Ltd., Dongguan (CN)**
- (72) Inventor: **Wei Lu, Dongguan (CN)**
- (73) Assignee: **DONGGUAN WEIHONG HARDWARE AND PLASTIC PRODUCTS CO., LTD., Dongguan, Guangdong (CN)**
- (**) Term: **14 Years**
- (21) Appl. No.: **29/516,483**
- (22) Filed: **Feb. 3, 2015**
- (51) **LOC (10) Cl.** **08-06**
- (52) **U.S. Cl.**
USPC **D8/323**
- (58) **Field of Classification Search**
USPC D8/367, 354, 349, 389, 323; 248/301, 248/302, 303, 304, 339; 24/132 R; D6/325; 16/334
CPC A47G 1/00; F16B 2/00; A63B 27/00; Y10T 16/00
See application file for complete search history.

6,134,751	A *	10/2000	Carrier	E05D 15/44 16/235
D458,626	S *	6/2002	Desbierz-Piat	D16/334
D500,660	S *	1/2005	Larner	D8/323
7,100,245	B2 *	9/2006	Wohlfarth	E05D 3/10 16/367
8,225,460	B2 *	7/2012	Hooton	E05D 3/10 16/309
D683,609	S *	6/2013	Frank	D8/323
D715,620	S *	10/2014	Tung	D8/323
D717,633	S *	11/2014	Lu	D8/323
D717,634	S *	11/2014	Lu	D8/323
D719,434	S *	12/2014	Lu	D8/323
D719,810	S *	12/2014	Lu	D8/323
D744,313	S *	12/2015	Lu	D8/323
D744,808	S *	12/2015	Lu	D8/323
D744,809	S *	12/2015	Lu	D8/323

* cited by examiner

Primary Examiner — Cynthia Underwood
(74) *Attorney, Agent, or Firm* — Shimokaji IP

(57) **CLAIM**

The ornamental design for a hinge, as shown and described.

DESCRIPTION

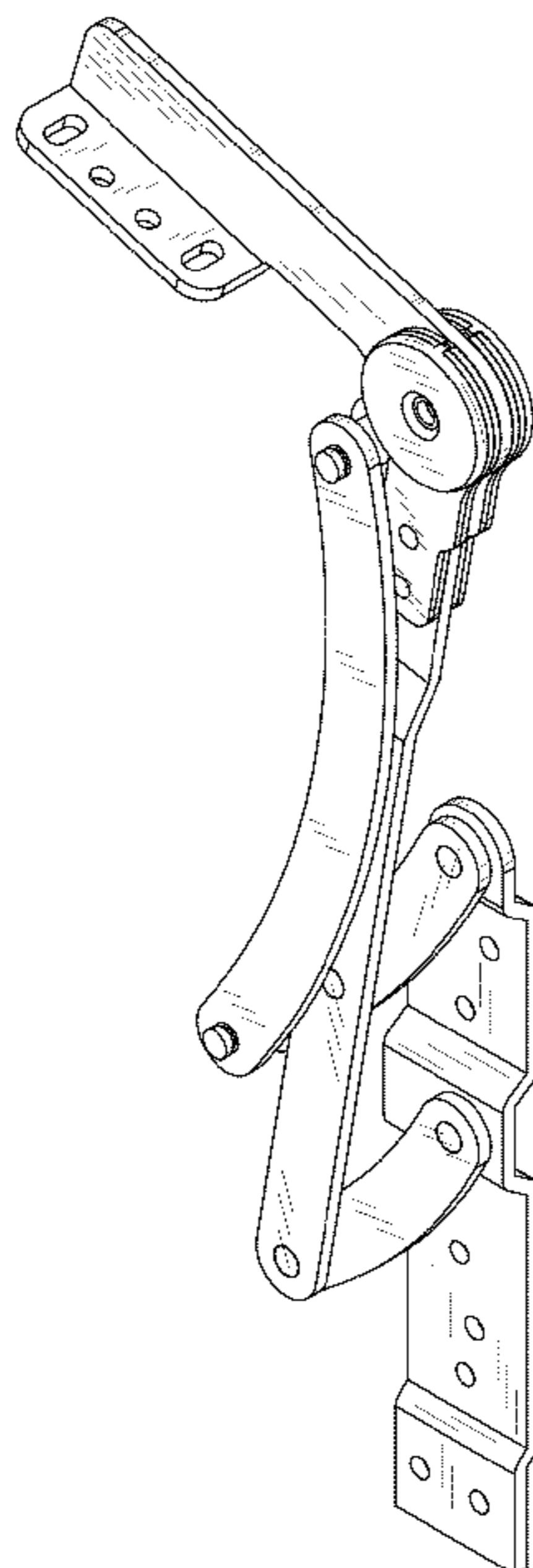
FIG. 1 is a front elevational view of a hinge showing my new design;
 FIG. 2 is a rear elevational view thereof;
 FIG. 3 is a left side elevational view thereof;
 FIG. 4 is a right side elevational view thereof;
 FIG. 5 is a top plan view thereof;
 FIG. 6 is a bottom plan view thereof;
 FIG. 7 is a first perspective view thereof;
 FIG. 8 is a second perspective view thereof; and,
 FIG. 9 is a perspective view in an alternate position of use.

1 Claim, 7 Drawing Sheets

(56) **References Cited**

U.S. PATENT DOCUMENTS

D140,298	S *	2/1945	Wilson	D8/323
D222,234	S *	10/1971	Imber	D8/323
4,382,312	A *	5/1983	Liggett	E05D 3/06 16/288
D335,622	S *	5/1993	Millsap	D8/323



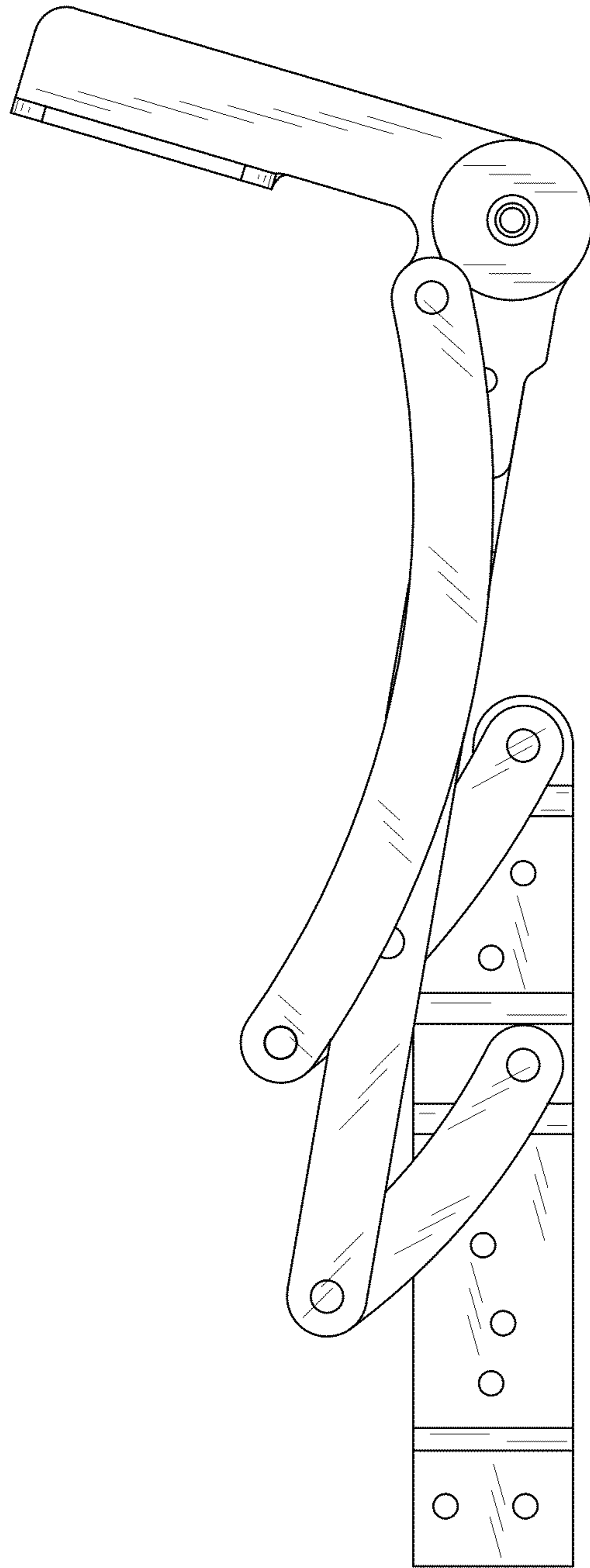


FIG.1

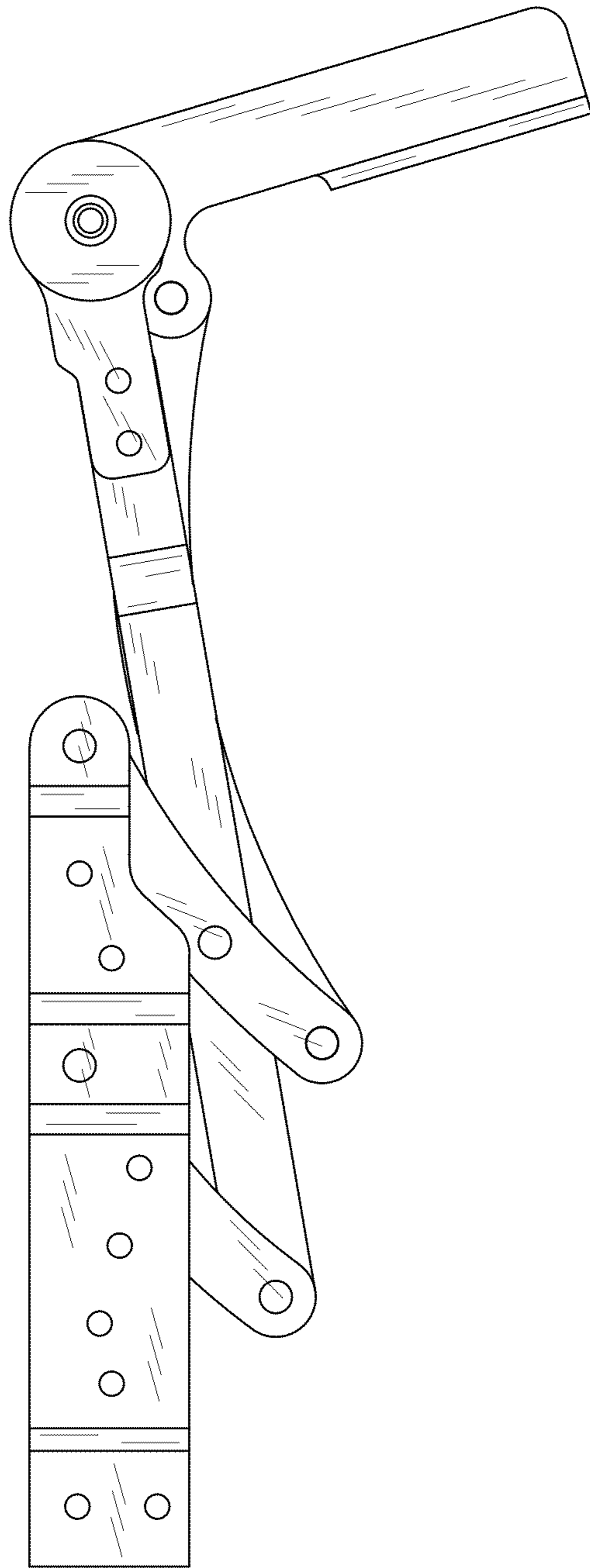


FIG.2

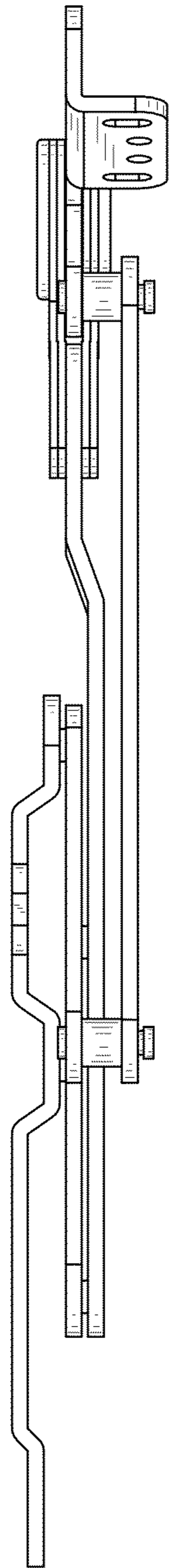


FIG.3

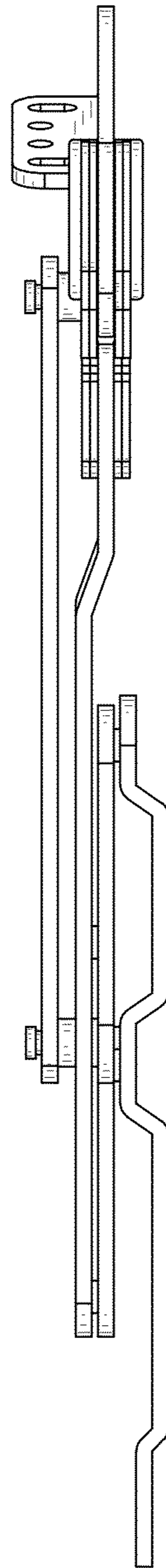


FIG.4

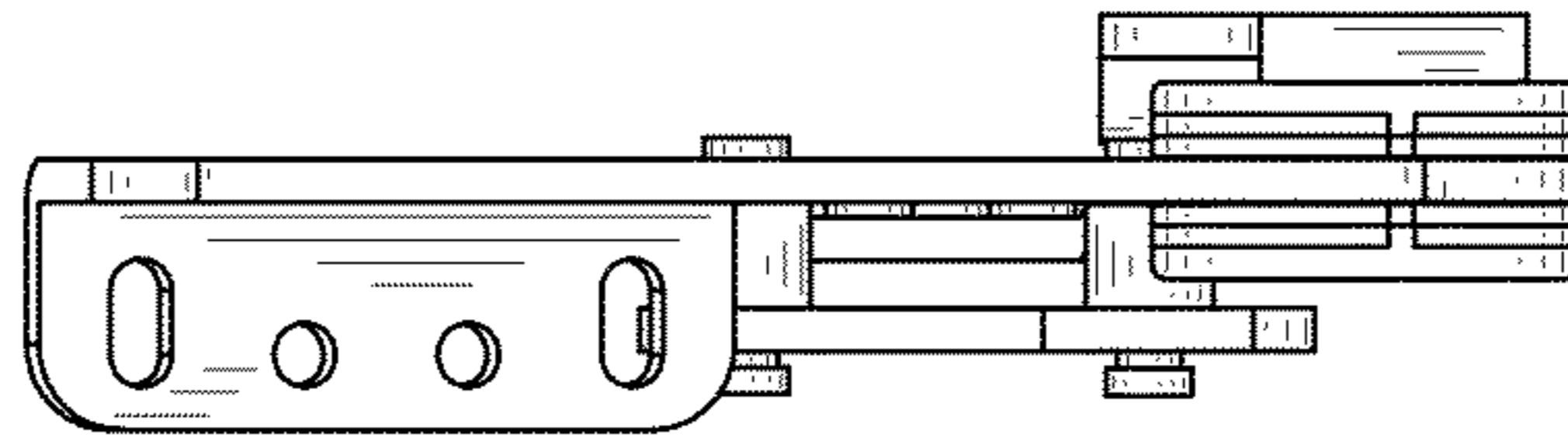


FIG.5

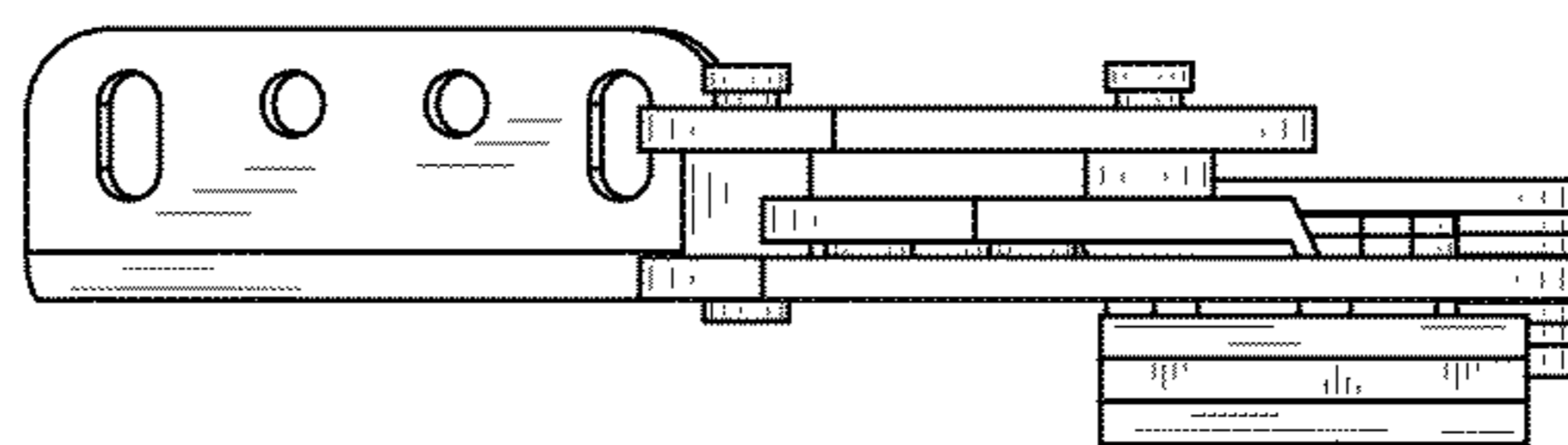


FIG.6

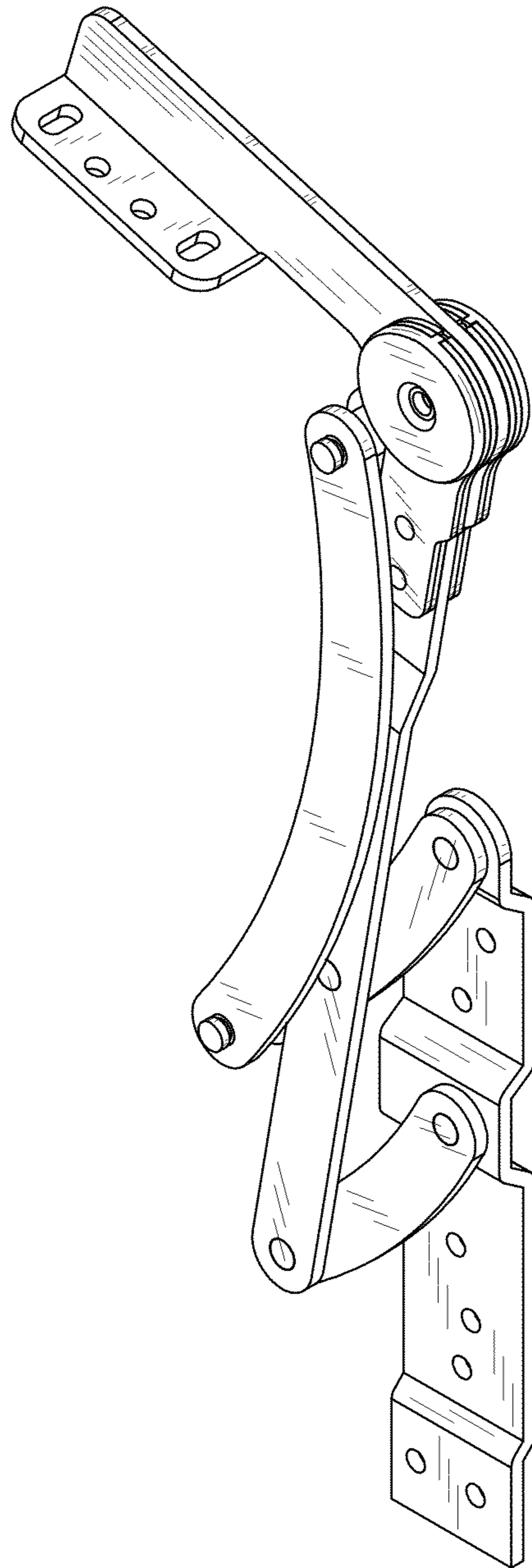


FIG. 7

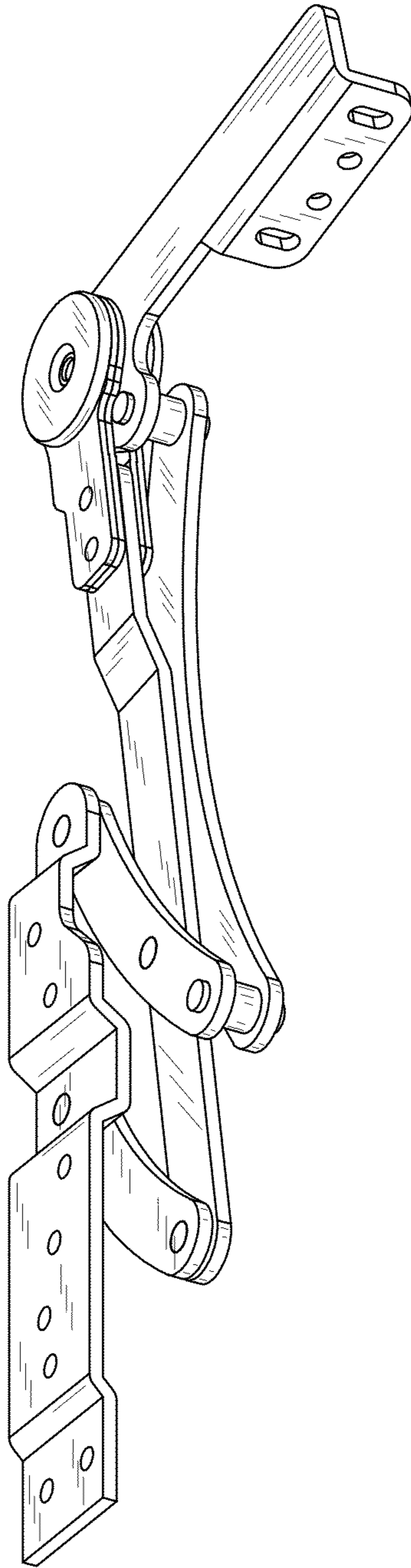


FIG.8

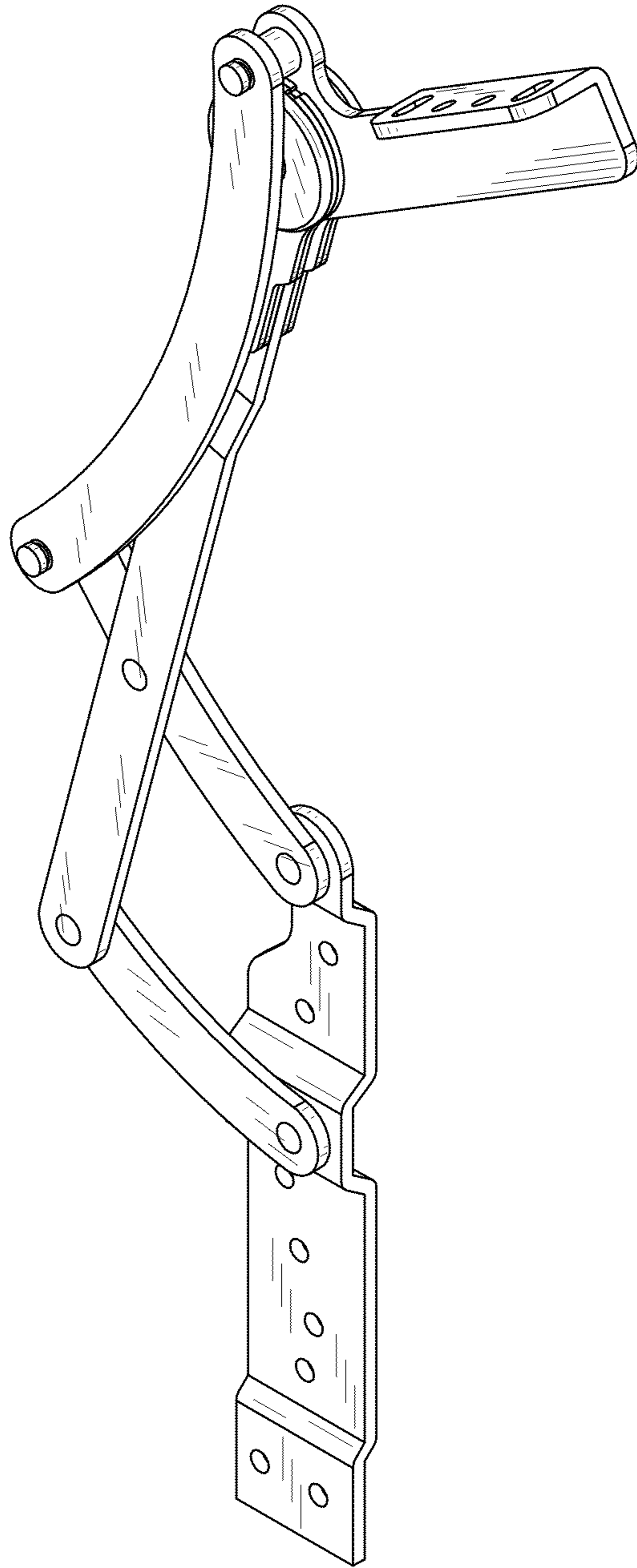


FIG.9