



US00D758163S

(12) **United States Design Patent**
Tosin

(10) **Patent No.:** **US D758,163 S**
(45) **Date of Patent:** **** Jun. 7, 2016**

- (54) **ONE-SIDED HINGE JOINT**
- (71) Applicant: **Smev S.R.L.**, Bassano del Grappa (IT)
- (72) Inventor: **Giuseppe Tosin**, Nove (IT)
- (73) Assignee: **SMEV S.R.L.**, Bassano del Grappa (IT)
- (**) Term: **14 Years**
- (21) Appl. No.: **29/434,077**
- (22) Filed: **Oct. 9, 2012**

5,906,196 A	5/1999	Measom	
6,000,388 A	12/1999	Andress	
D447,679 S *	9/2001	Parisi	D8/323
D449,491 S	10/2001	Measom	
D473,095 S	4/2003	Nguyen	
D483,531 S	12/2003	Shelley	
D483,532 S	12/2003	Shelley	
D520,803 S	5/2006	Lu	
D541,141 S *	4/2007	Chou	D8/383
D560,479 S *	1/2008	Yoshie et al.	D8/383
D568,730 S *	5/2008	Clarke	D8/383
D584,942 S *	1/2009	Yoshie	D8/383

(Continued)

- (30) **Foreign Application Priority Data**
- Apr. 10, 2012 (EM) 002 022 491
- (51) **LOC (10) Cl.** **08-06**
- (52) **U.S. Cl.**
- USPC **D8/323**
- (58) **Field of Classification Search**
- USPC D8/323-331, 336, 338, 353, 355, 356;
16/309, 235, 275, 244, 379, 390, 430,
16/241, 238, 225, 250; D16/334; 4/236,
4/240; D23/302, 303; 248/682
- See application file for complete search history.

(56) **References Cited**
U.S. PATENT DOCUMENTS

863,825 A	8/1907	Acker	
1,641,061 A	8/1927	Young	
1,995,331 A	3/1935	Snyder et al.	
D113,898 S *	3/1939	Nisenson	D8/394
2,579,393 A	12/1951	Modrey	
D259,137 S	5/1981	Knox	
D285,522 S	9/1986	Basini	
D295,818 S	5/1988	Chan	
D303,492 S *	9/1989	Bisbing	D8/323
D339,518 S *	9/1993	Bisbing	D8/323
D352,864 S	11/1994	Parker	

Jan. 22, 2015, Office Action for U.S. Appl. No. 29/434,068, Giuseppe Tosin, filed Oct. 9, 2012.

(Continued)

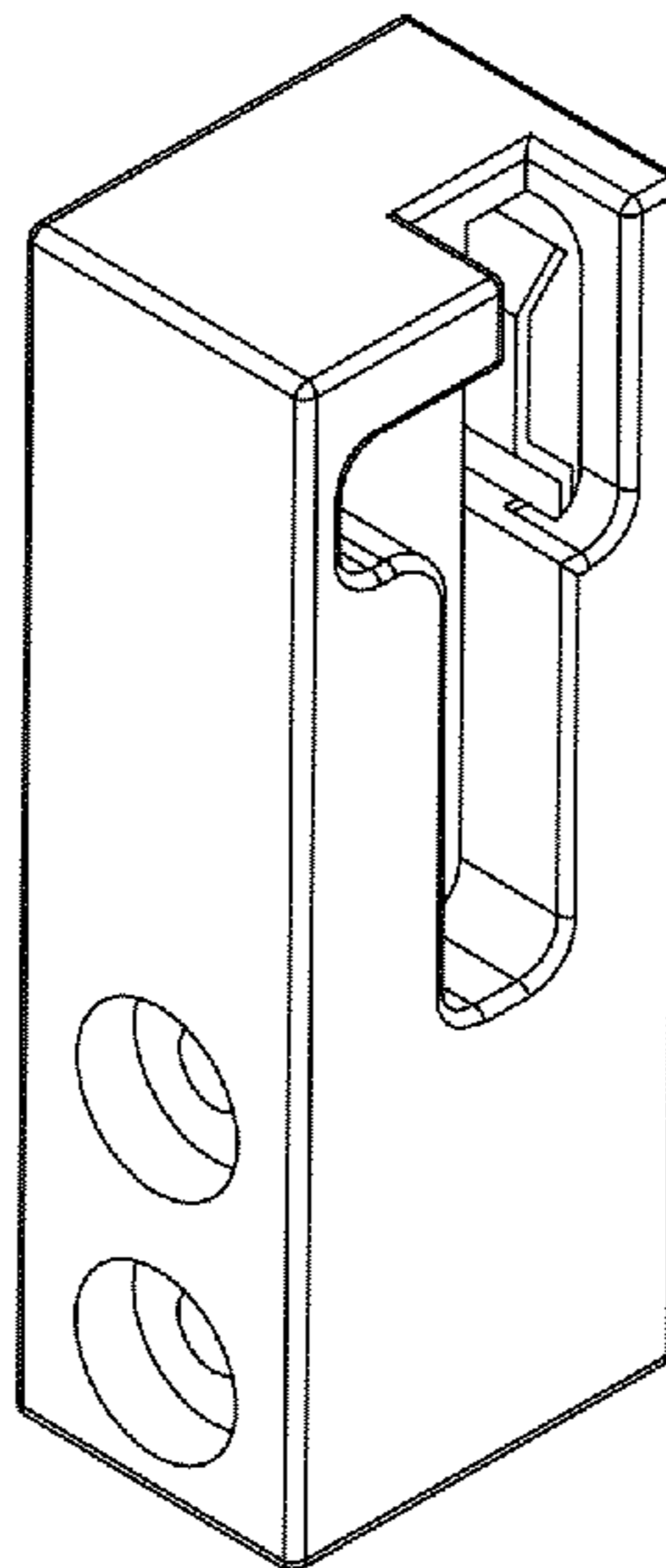
Primary Examiner — John Windmuller
(74) *Attorney, Agent, or Firm* — Middleton Reutlinger

(57) **CLAIM**
The ornamental design for a one-sided hinge joint, as shown and described.

DESCRIPTION

FIG. 1 is a rear view of a one-sided hinge joint;
FIG. 2 is a bottom view of the one-sided hinge joint of FIG. 1;
FIG. 3 is a front view of the one-sided hinge joint of FIG. 1;
FIG. 4 is a left view of the one-sided hinge joint of FIG. 1;
FIG. 5 is a perspective view of the one-sided hinge joint of FIG. 1;
FIG. 6 is a right view of the one-sided hinge joint of FIG. 1;
and,
FIG. 7 is a top view of the one-sided hinge joint of FIG. 1.
The broken lines in the figures depict portions of the hinge joint that form no part of the claimed design.

1 Claim, 2 Drawing Sheets



(56)

References Cited

OTHER PUBLICATIONS

U.S. PATENT DOCUMENTS

D606,800 S 12/2009 Bodum
D635,452 S * 4/2011 Jones D8/383
D650,265 S * 12/2011 Wong D8/383
8,789,485 B2 * 7/2014 Juenger et al. 114/218
D716,608 S 11/2014 Tosin

U.S. Appl. No. 29/434,068 to Giuseppe Tosin— “Two-Sided Hinge
Joint”, filed on Oct. 9, 2012.

* cited by examiner

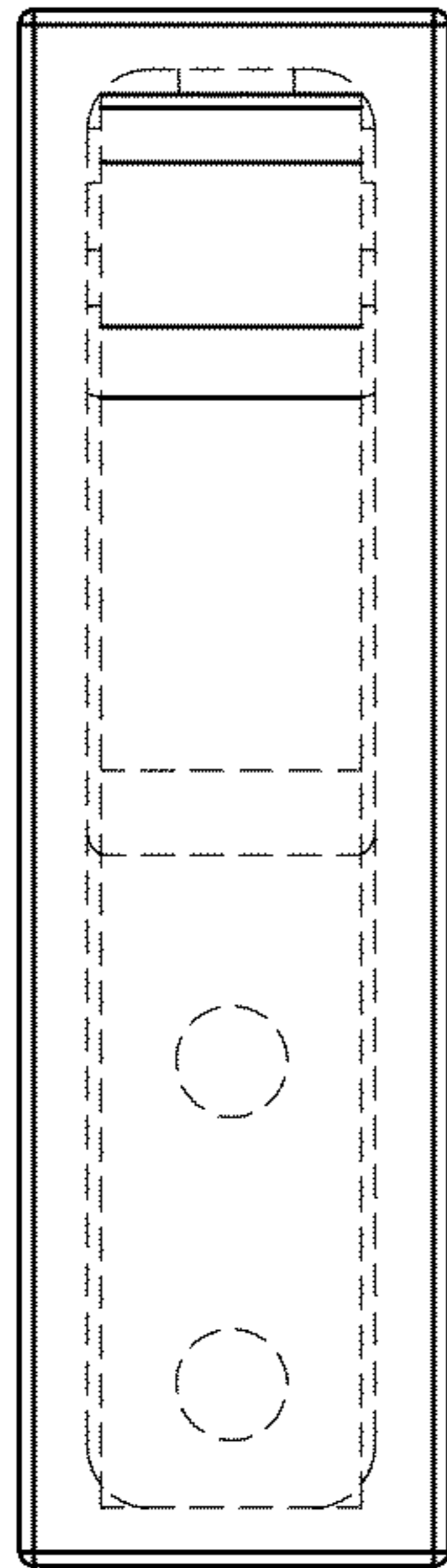


FIG. 1

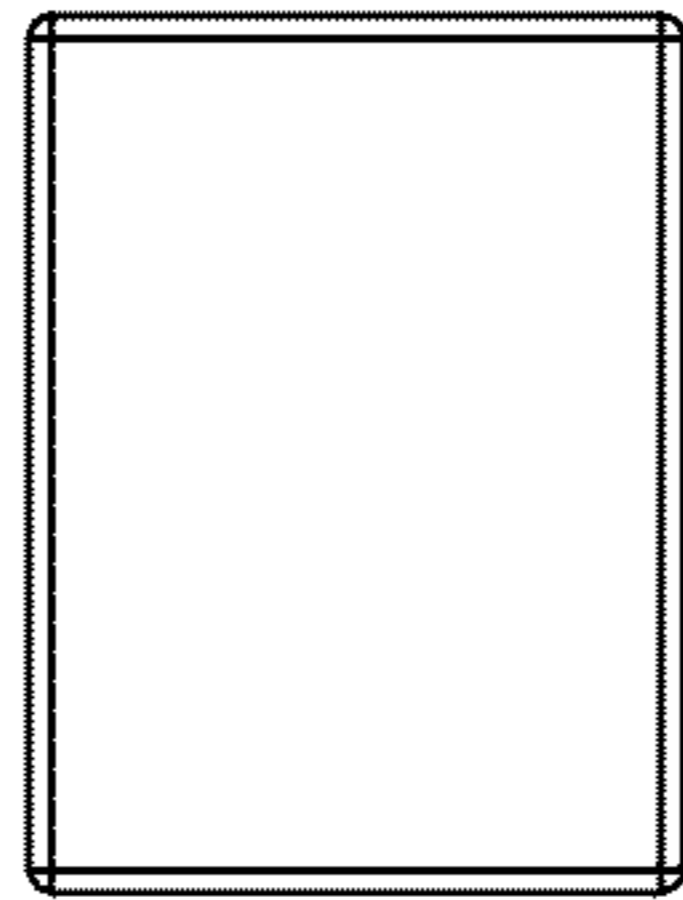


FIG. 2

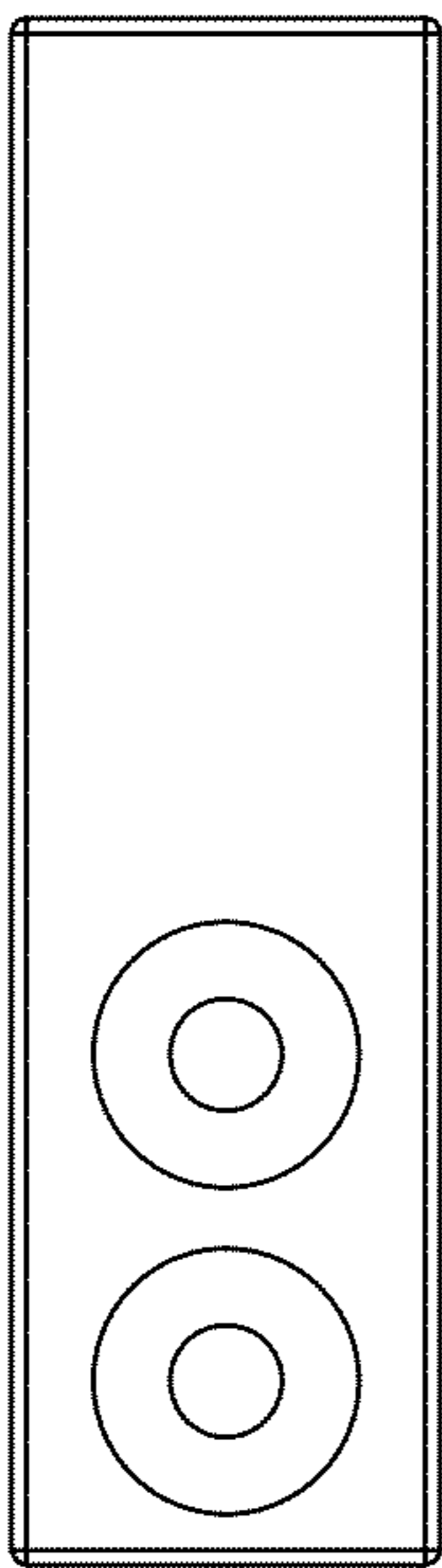


FIG. 3

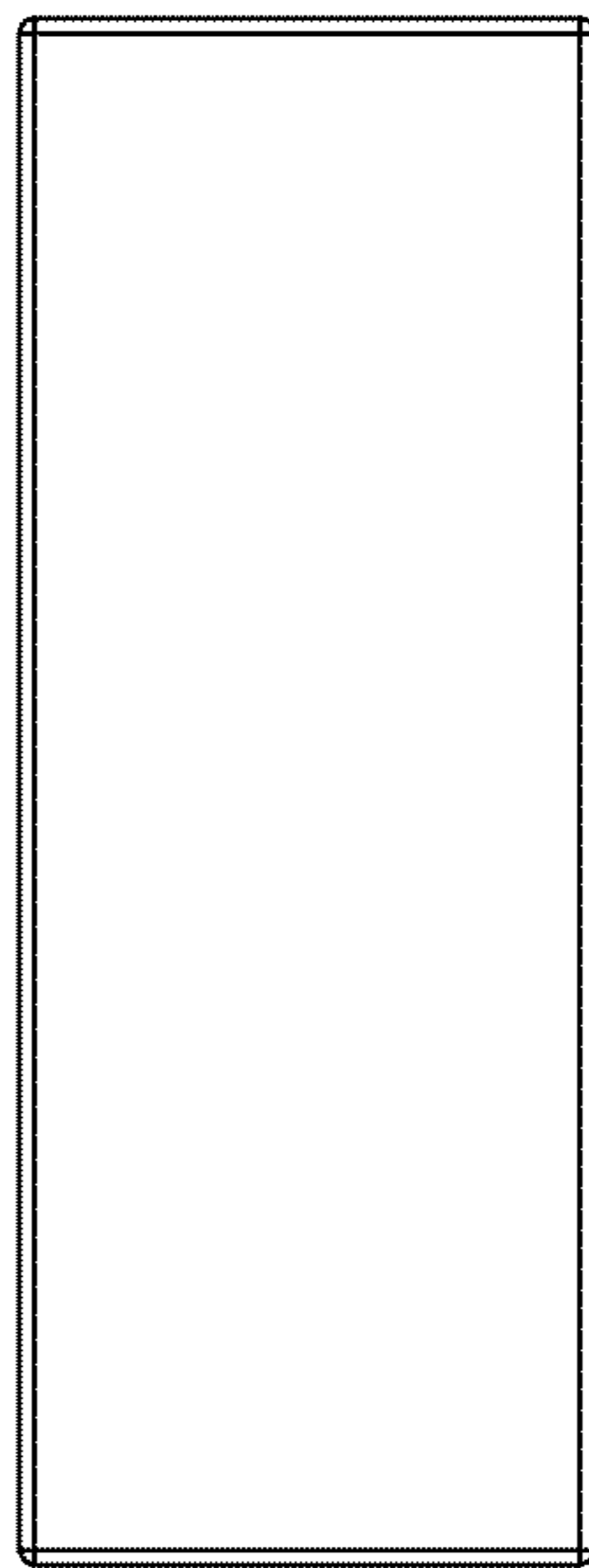


FIG. 4

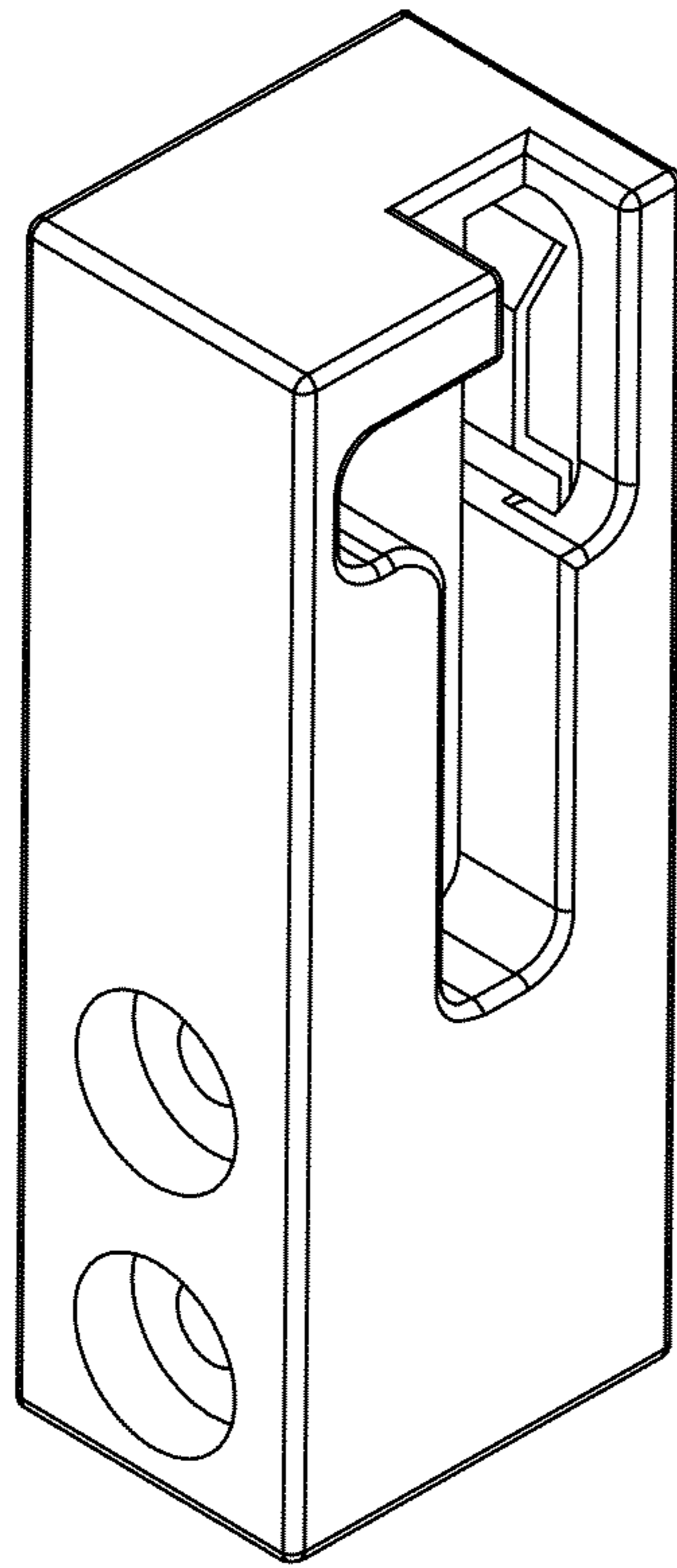


FIG. 5

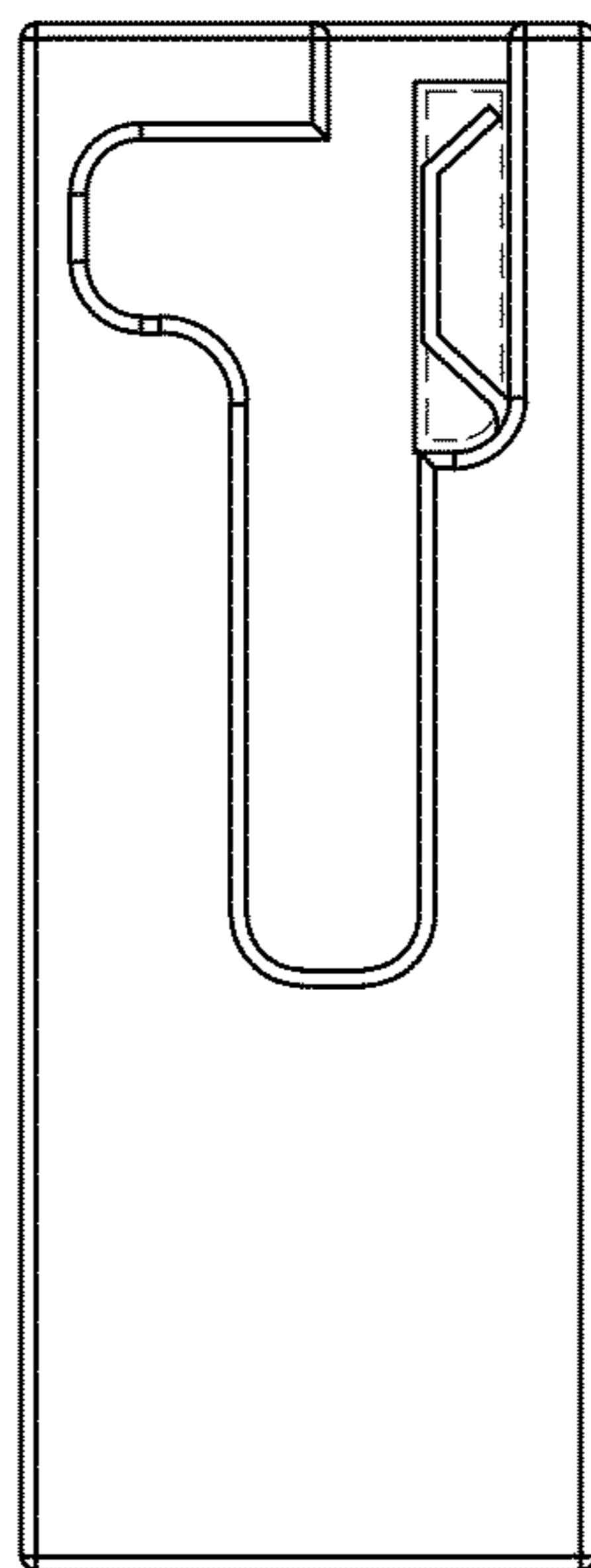


FIG. 6

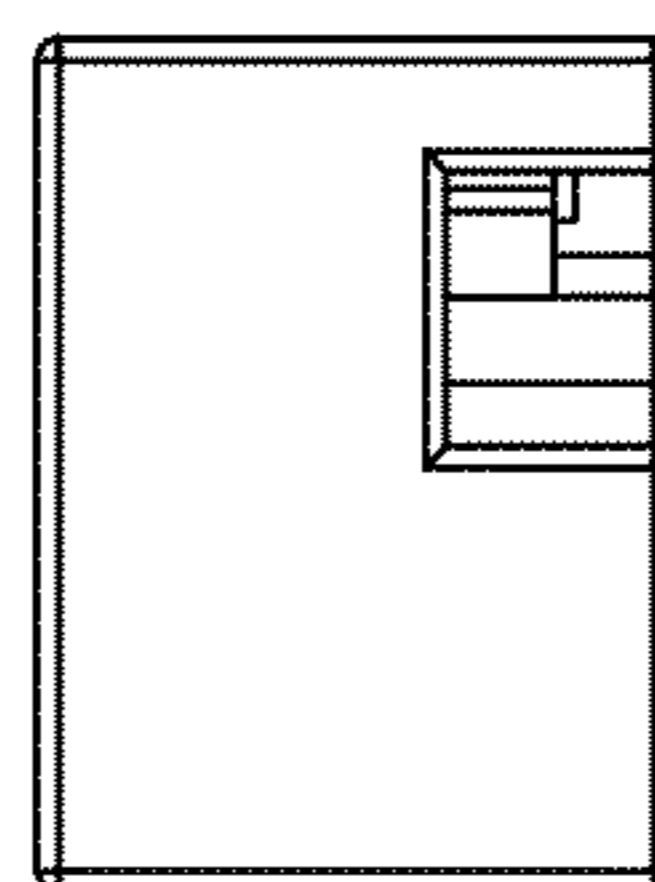


FIG. 7